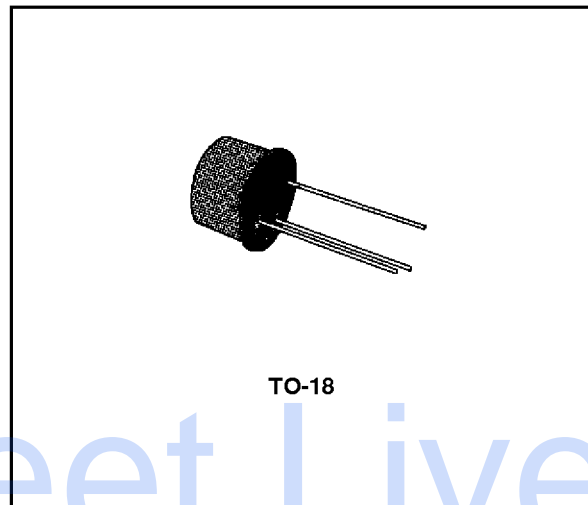


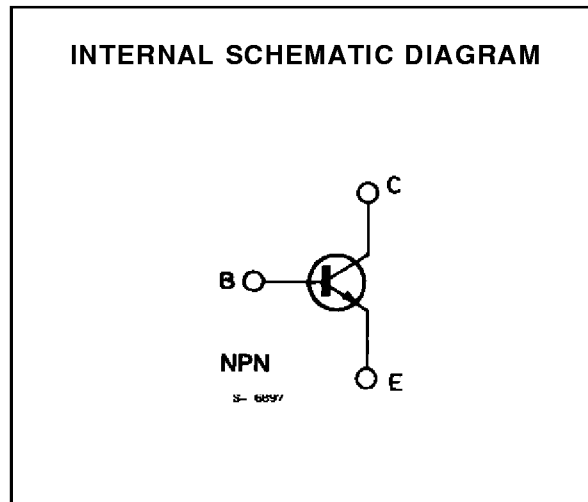
GENERAL PURPOSE AMPLIFIERS AND SWITCHES

DESCRIPTION

The 2N3301 and 2N3302 are silicon planar epitaxial NPN transistors in Jedec TO-18 metal case. They are designed to cover a wide range of amplifier and switching applications.



Datasheet.Live



ABSOLUTE MAXIMUM RATINGS

Symbol	Parameter	Value	Unit
V_{CBO}	Collector-base Voltage ($I_E = 0$)	60	V
V_{CEO}	Collector-emitter Voltage ($I_B = 0$)	30	V
V_{EBO}	Emitter-base Voltage ($I_C = 0$)	5	V
I_C	Collector Current	0.5	A
P_{tot}	Total Power Dissipation at $T_{amb} \leq 25\text{ }^\circ\text{C}$ at $T_{case} \leq 25\text{ }^\circ\text{C}$	0.36	W
		1.8	W
T_{stg}, T_j	Storage and Junction Temperature	- 65 to 200	$^\circ\text{C}$

2N3301-2N3302

THERMAL DATA

$R_{th\ j-case}$	Thermal Resistance Junction-case	Max	97.2	°C/W
$R_{th\ j-amb}$	Thermal Resistance Junction-ambient	Max	486	°C/W

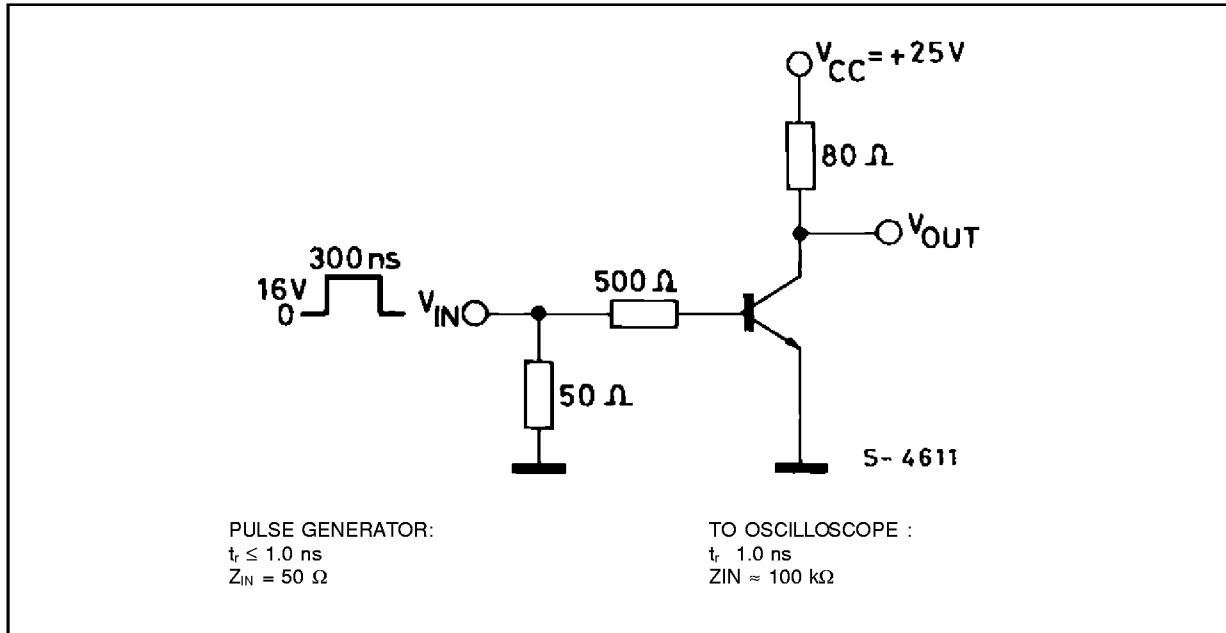
ELECTRICAL CHARACTERISTICS ($T_{amb} = 25\text{ °C}$ unless otherwise specified)

Symbol	Parameter	Test Conditions	Min.	Typ.	Max.	Unit
I_{CES}	Collector Cutoff Current ($V_{BE} = 0$)	$V_{CB} = 50\text{ V}$ $V_{CB} = 50\text{ V}$ $T_{amb} = 150\text{ °C}$			10 10	nA μA
I_{EBO}	Emitter-cutoff Current ($I_C = 0$)	$V_{EB} = 3\text{ V}$			10	nA
$V_{(BR)CBO}$	Collector-base Breakdown Voltage ($I_E = 0$)	$I_C = 10\ \mu\text{A}$	60			V
$V_{(BR)CEO}^*$	Collector-emitter Breakdown Voltage ($I_B = 0$)	$I_C = 10\text{ mA}$	30			V
$V_{(BR)EBO}$	Emitter-base Breakdown Voltage ($I_C = 0$)	$I_E = 10\ \mu\text{A}$	5			V
$V_{CE(sat)}^*$	Collector-emitter Saturation Voltage	$I_C = 150\text{ mA}$ $I_B = 15\text{ mA}$ $I_C = 500\text{ mA}$ $I_B = 50\text{ mA}$			0.22 0.6	V V
$V_{BE(sat)}^*$	Base-emitter Saturation Voltage	$I_C = 150\text{ mA}$ $I_B = 15\text{ mA}$ $I_C = 500\text{ mA}$ $I_B = 50\text{ mA}$			1.1 1.5	V V
h_{FE}^*	DC Current Gain	for 2N3301 $I_C = 0.1\text{ mA}$ $V_{CE} = 10\text{ V}$ $I_C = 1\text{ mA}$ $V_{CE} = 10\text{ V}$ $I_C = 10\text{ mA}$ $V_{CE} = 10\text{ V}$ $I_C = 150\text{ mA}$ $V_{CE} = 10\text{ V}$ $I_C = 500\text{ mA}$ $V_{CE} = 10\text{ V}$ $I_C = 150\text{ mA}$ $V_{CE} = 1\text{ V}$ for 2N3302 $I_C = 0.1\text{ mA}$ $V_{CE} = 10\text{ V}$ $I_C = 1\text{ mA}$ $V_{CE} = 10\text{ V}$ $I_C = 10\text{ mA}$ $V_{CE} = 10\text{ V}$ $I_C = 150\text{ mA}$ $V_{CE} = 10\text{ V}$ $I_C = 500\text{ mA}$ $V_{CE} = 10\text{ V}$ $I_C = 150\text{ mA}$ $V_{CE} = 1\text{ V}$	20 25 35 40 20 20	40 60 70 60 50	120 300	
h_{fe}	High Frequency Current Gain	$I_C = 50\text{ mA}$ $f = 100\text{ MHz}$ $V_{CE} = 10\text{ V}$	2.5			
C_{EBO}	Emitter-base Capacitance	$V_{EB} = 2\text{ V}$ $f = 1\text{ MHz}$			20	pF
C_{CBO}	Collector-base Capacitance	$V_{CB} = 10\text{ V}$ $f = 1\text{ MHz}$			8	pF
t_{on}^{**}	Turn-on Time	$I_C = 300\text{ mA}$ $V_{CC} = 25\text{ V}$ $I_{B1} = 30\text{ mA}$			60	ns
t_{off}^{**}	Turn-off Time	$I_C = 300\text{ mA}$ $V_{CC} = 25\text{ V}$ $I_{B1} = -I_{B2} = 30\text{ mA}$			150	ns

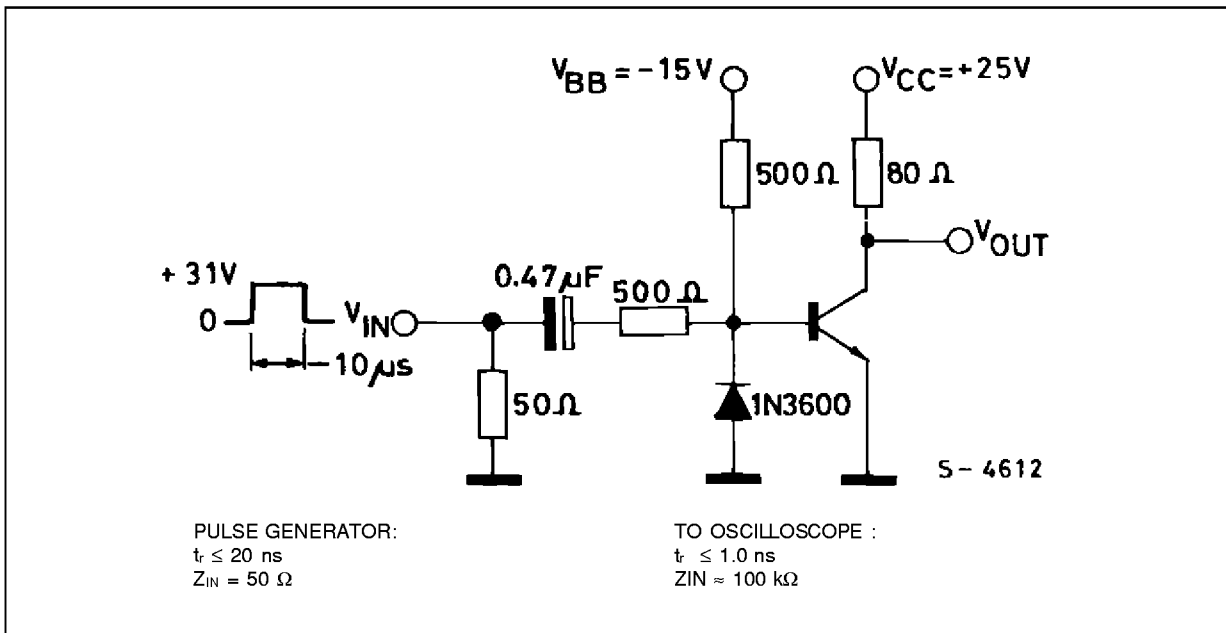
* Pulsed : pulse duration = 300 μs , duty cycle = 1 %.

** See test circuits.

Test Circuit for t_{on} .

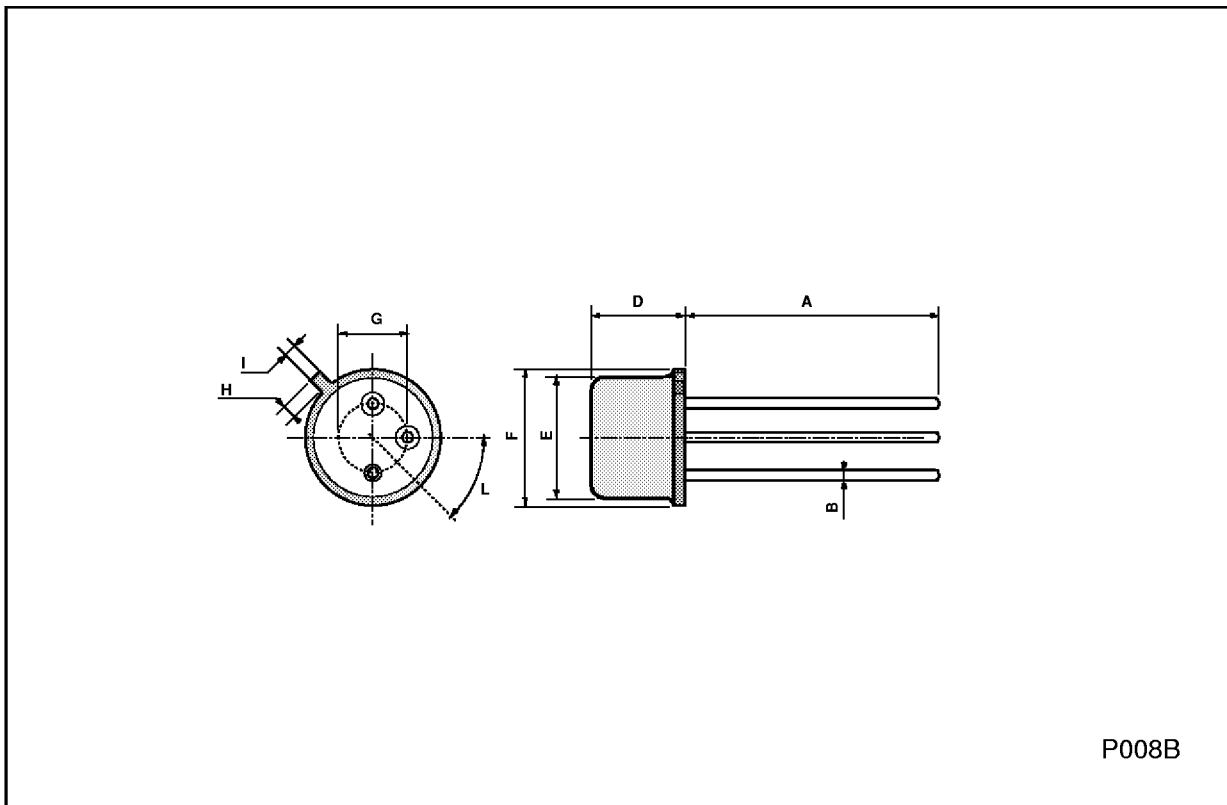


Test Circuit for t_{off} .



TO39 MECHANICAL DATA

DIM.	mm			inch		
	MIN.	TYP.	MAX.	MIN.	TYP.	MAX.
A	12.7			0.500		
B			0.49			0.019
D			6.6			0.260
E			8.5			0.334
F			9.4			0.370
G	5.08			0.200		
H			1.2			0.047
I			0.9			0.035
L	45° (typ.)					



Information furnished is believed to be accurate and reliable. However, SGS-THOMSON Microelectronics assumes no responsibility for the consequences of use of such information nor for any infringement of patents or other rights of third parties which may result from its use. No license is granted by implication or otherwise under any patent or patent rights of SGS-THOMSON Microelectronics. Specifications mentioned in this publication are subject to change without notice. This publication supersedes and replaces all information previously supplied. SGS-THOMSON Microelectronics products are not authorized for use as critical components in life support devices or systems without express written approval of SGS-THOMSON Microelectronics.

© 1994 SGS-THOMSON Microelectronics - All Rights Reserved

SGS-THOMSON Microelectronics GROUP OF COMPANIES

Australia - Brazil - France - Germany - Hong Kong - Italy - Japan - Korea - Malaysia - Malta - Morocco - The Netherlands -
Singapore - Spain - Sweden - Switzerland - Taiwan - Thailand - United Kingdom - U.S.A