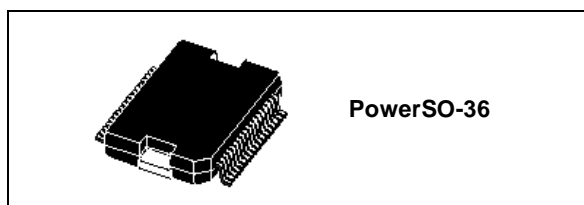


## LOW THRESHOLD OCTAL HIGH SIDE DRIVER

### General Features

Type	$R_{DS(on)}$	$I_{out}$	$V_{CC}$
VN808CM-E	160m $\Omega$	0.7A	45V

- CMOS COMPATIBLE INPUT
- JUNCTION OVER-TEMPERATURE PROTECTION
- CASE OVER-TEMPERATURE PROTECTION FOR THERMAL INDEPENDENCE OF THE CHANNELS
- CURRENT LIMITATION
- SHORTED LOAD PROTECTIONS
- UNDERVOLTAGE SHUTDOWN
- PROTECTION AGAINST LOSS OF GROUND
- VERY LOW STAND-BY CURRENT
- COMPLIANCE TO 61000-4-4 IEC TEST UP TO 4KV



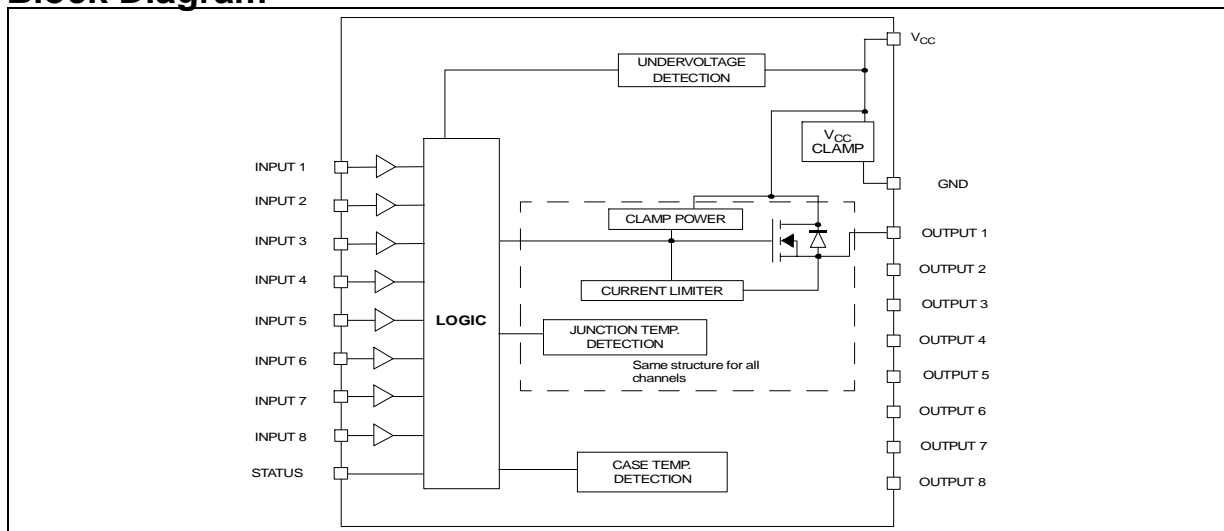
It can be driven by using a 3.3V logic supply. Active current limitation, combined with thermal shutdown and automatic restart, protect the device against overload. In overload condition, the channel turns OFF, then back ON automatically so as to maintain junction temperature between  $T_{TSD}$  and  $T_R$ . If this condition makes the case temperature reach  $T_{CSD}$ , the overloaded channel is turned OFF and will restart only when the case temperature has decreased down to  $T_{CR}$  (see Figures 6-7). Channels that are not overloaded continue to operate normally.

The device automatically turns OFF when the Ground pin is disconnected. This device is especially suitable for industrial applications which conform to IEC 61131 (Programmable Controllers International Standard)S

### Description

The VN808CM-E is a monolithic device designed with STMicroelectronics VIPower MO-3 Technology, and is intended for driving any kind of load with one side connected to ground.

### Block Diagram



**Table 1. Absolute Maximum Rating**

Symbol	Parameter	Value	Unit
$V_{CC}$	DC Supply voltage	45	V
$-I_{GND}$	DC ground pin reverse current TRAN Ground pin reverse current ( pulse duration < 1ms)	-250 -6	mA A
$I_{OUT}$	DC Output current	Internally limited	A
$-I_{OUT}$	Reverse DC output current	-2	A
$I_{IN}$	DC Input current	$\pm 10$	mA
$V_{ESD}$	Electrostatic discharge (R = 1.5KW; C = 100pF)	2000	V
$P_{TOT}$	Power dissipation at $T_C = 25^\circ\text{C}$	96	W
$L_{MAX}$	Max inductive load ( $V_{CC} = 24\text{V}$ , $R_{LOAD} = 48\Omega$ , $T_A = 100^\circ\text{C}$ )	2	H
$T_J$	Junction operating temperature	Internally limited	$^\circ\text{C}$
$T_C$	Case operating temperature	Internally limited	$^\circ\text{C}$
$T_{STG}$	Storage Temperature	-40 to 150	$^\circ\text{C}$

**Table 2. Pin Definitions and Functions**

Pin No.	Symbol	Function
TAB	$V_{CC}$	Positive power supply voltage
1	$V_{CC}$	Positive power supply voltage
2,3,4,5	NC	Not connected
6	Input 1	Input of channel 1
7	Input 2	Input of channel 2
8	Input 3	Input of channel 3
9	Input 4	Input of channel 4
10	Input 5	Input of channel 5
11	Input 6	Input of channel 6
12	Input 7	Input of channel 7
13	Input 8	Input of channel 8
14,15,16,17,18	NC	Not connected
19	GND	Logic ground
20	STATUS	Common open source diagnostic for over-temperature
21,22	Output 8	High-Side output of channel 8
23,24	Output 7	High-Side output of channel 7
25,26	Output 6	High-Side output of channel 6
27,28	Output 5	High-Side output of channel 5
29,30	Output 4	High-Side output of channel 4
31,32	Output 3	High-Side output of channel 3
33,34	Output 2	High-Side output of channel 2
35,36	Output 1	High-Side output of channel 1

Figure 1. Connection Diagram (Top View)

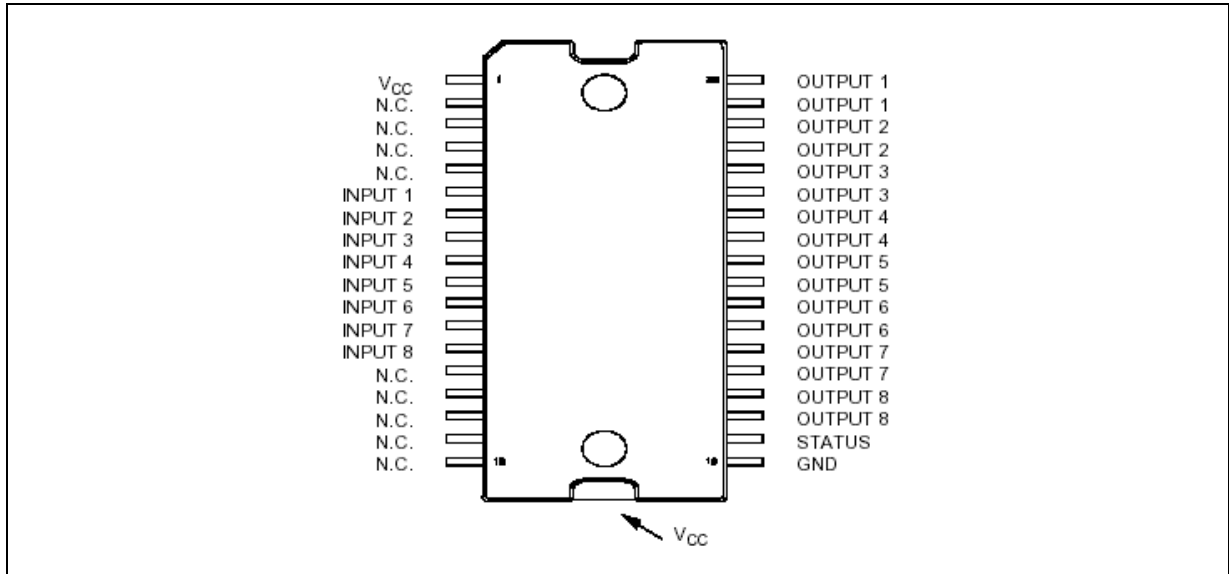
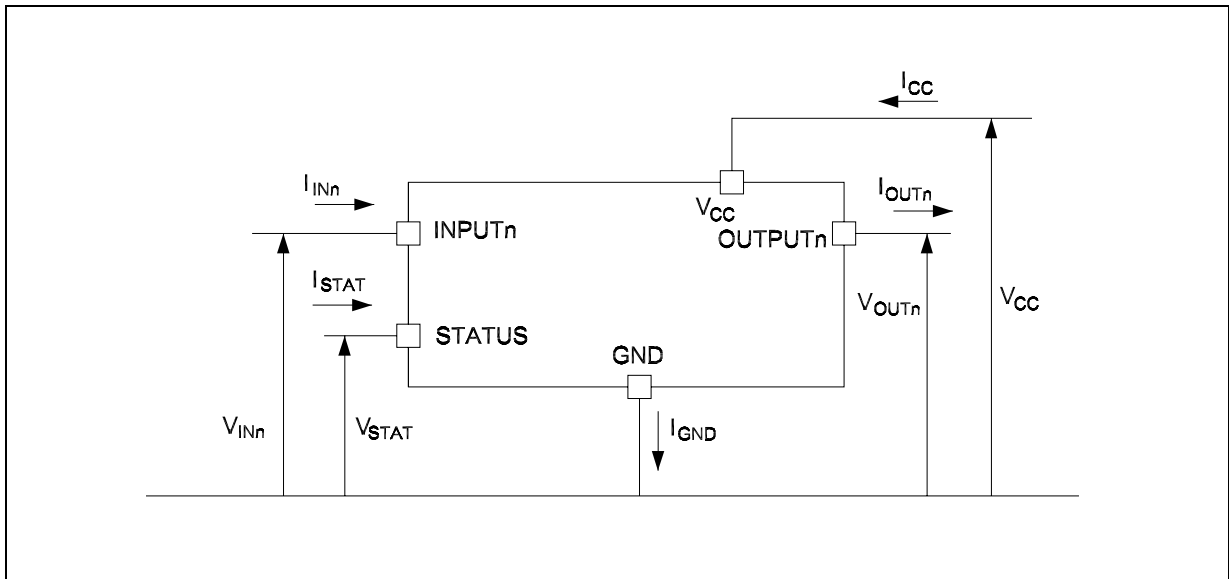


Figure 2. Current and Voltage Conventions



**Table 3. Thermal data**

Symbol	Parameter	Value	Unit
$R_{thJC}$	Thermal resistance junction-case	Max	1.3 °C/W
$R_{thJA}$	Thermal resistance junction-ambient <i>Note:1</i>	Max	50 °C/W

*Note:* 1. When mounted on FR4 printed circuit board with  $0.5\text{cm}^2$  of copper area (at least  $35\mu$  thick) connected to all TAB pins.

**Electrical Characteristics** ( $10.5\text{V} < V_{CC} < 32\text{V}$ ;  $-40^\circ\text{C} < T_J < 125^\circ\text{C}$ ; unless otherwise specified)

**Table 4. Power Section**

Symbol	Parameter	Test Conditions	Min.	Typ.	Max.	Unit
$V_{CC}$	Operating supply voltage		10.5		45	V
$V_{USD}$	Undervoltage shutdown		7		10.5	V
$R_{ON}$	On state resistance	$I_{OUT} = 0.5\text{A}$ ; $T_J = 25^\circ\text{C}$ $I_{OUT} = 0.5\text{A}$ ;			160 280	$\text{m}\Omega$ $\text{m}\Omega$
$I_S$	Supply current	OFF state; $V_{CC} = 24\text{V}$ ; $T_{CASE} = 25^\circ\text{C}$ ON state( all channels ON); $V_{CC} = 24\text{V}$ $T_{CASE} = 100^\circ\text{C}$			150 12	$\mu\text{A}$ mA
$I_{LGND}$	Output current at turn-off	$V_{CC} = V_{STAT} = V_{IN} = V_{GND} = 24\text{V}$ $V_{OUT} = 0\text{V}$			1	mA
$I_{L(off)}$	OFF state output current	$V_{IN} = V_{OUT} = 0\text{V}$ ;	0		5	$\mu\text{A}$
$V_{OUT(off)}$	OFF state output voltage	$V_{IN} = 0\text{V}$ ; $I_{OUT} = 0\text{A}$ ;			3	V
$t_d(V_{CCon})$	Power-on delay time from $V_{CC}$ rising edge	<i>Figure 4.</i>		1		ms

**Table 5. Switching (  $V_{CC} = 24\text{V}$  )**

Symbol	Parameter	Test Conditions	Min.	Typ.	Max.	Unit
$t_{ON}$	Turn-on time	$R_L = 48\Omega$ from 80% $V_{OUT}$ <i>Figure 3.</i>		50	100	$\mu\text{s}$
$t_{OFF}$	Turn-off time	$R_L = 48\Omega$ to 10% $V_{OUT}$ <i>Figure 3.</i>		75	150	$\mu\text{s}$
$dV_{OUT}/dt_{(on)}$	Turn-on voltage slope	$R_L = 48\Omega$ from $V_{OUT} = 2.4\text{V}$ to $V_{OUT} = 19.2\text{V}$ <i>Figure 3.</i>		0.7		$\text{V}/\mu\text{s}$
$dV_{OUT}/dt_{(off)}$	Turn-off voltage slope	$R_L = 48\Omega$ from $V_{OUT} = 21.6\text{V}$ to $V_{OUT} = 2.4\text{V}$ <i>Figure 3.</i>		1.5		$\text{V}/\mu\text{s}$

**Table 6. Input Pin**

Symbol	Parameter	Test Conditions	Min.	Typ.	Max.	Unit
$V_{INL}$	Input low level				1.25	V
$I_{INL}$	Low level input current	$V_{IN} = 1.25V$	1			$\mu A$
$V_{INH}$	Input high level		2.25			V
$I_{INH}$	High level input current	$V_{IN} = 2.25V$			10	$\mu A$
$V_{I(HYST)}$	Input hysteresis voltage		0.25			V
$V_{ICL}$	Input Clamp Voltage	$I_{IN} = 1mA$	6.0	6.8	8.0	V
		$I_{IN} = -1mA$		-0.7		V

**Table 7. Protections**

Symbol	Parameter	Test Conditions	Min.	Typ.	Max.	Unit
$T_{CSD}$	Case shut-down temperature		125	130	135	$^{\circ}C$
$T_{CR}$	Case reset temperature		110			$^{\circ}C$
$T_{CHYST}$	Case thermal hysteresis		7	15		$^{\circ}C$
$T_{TSD}$	Junction shutdown temperature		150	175	200	$^{\circ}C$
$T_R$	Junction reset temperature		135			$^{\circ}C$
$T_{HYST}$	Junction thermal hysteresis		7	15		$^{\circ}C$
$I_{lim}$	DC Short circuit current	$V_{CC} = 24V; R_{LOAD} = 10m\Omega$	0.7		1.7	A
$V_{demag}$	Turn-off output clamp voltage	$I_{OUT} = 0.5A; L = 6mH$	$V_{CC}-57$	$V_{CC}-52$	$V_{CC}-47$	V

**Table 8. Status Pin**

Symbol	Parameter	Test Conditions	Min.	Typ.	Max.	Unit
$I_{HSTAT}$	High level output current	$V_{CC} = 18...32V; R_{STAT} = 1K\Omega$ ( Fault condition )	2	3	4	mA
$I_{LSTAT}$	Leakage current	Normal operation; $V_{CC} = 32V$			0.1	$\mu A$
$V_{CLSTAT}$	Clamp voltage	$I_{STAT} = 1mA$	6.0	6.8	8.0	V
		$I_{STAT} = -1mA$		-0.7		V

Switching Time Waveforms

Figure 3. Turn-on & Turn-off

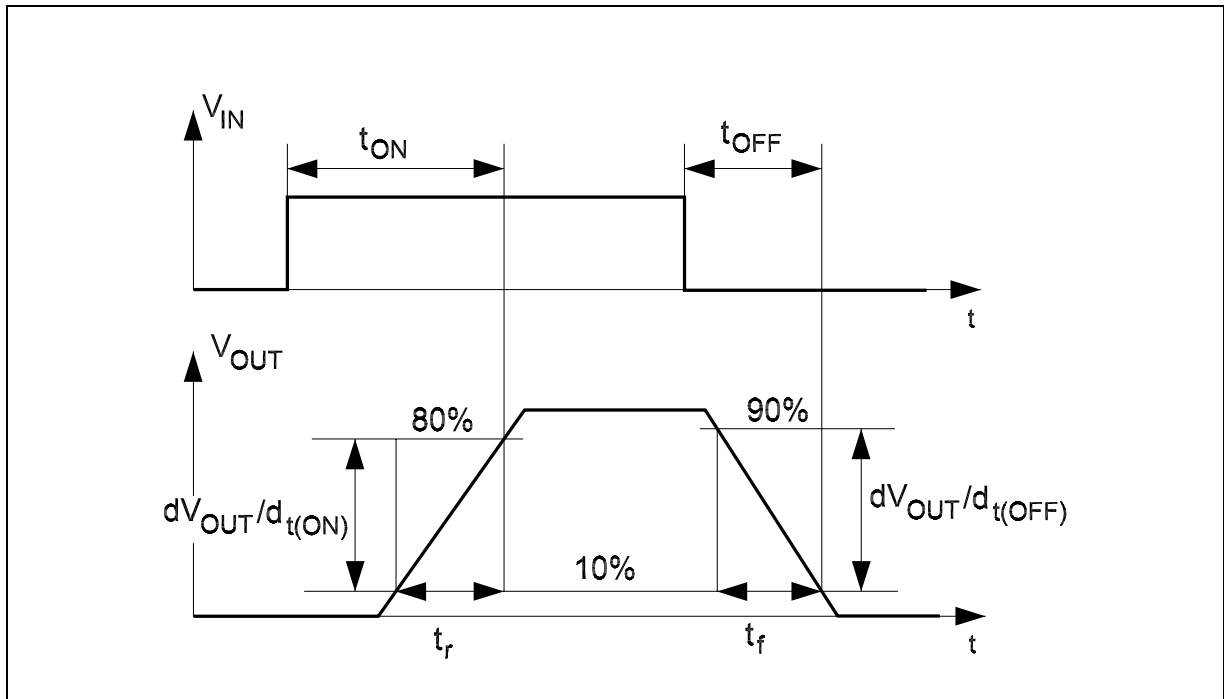


Figure 4.  $V_{CC}$  Turn-on

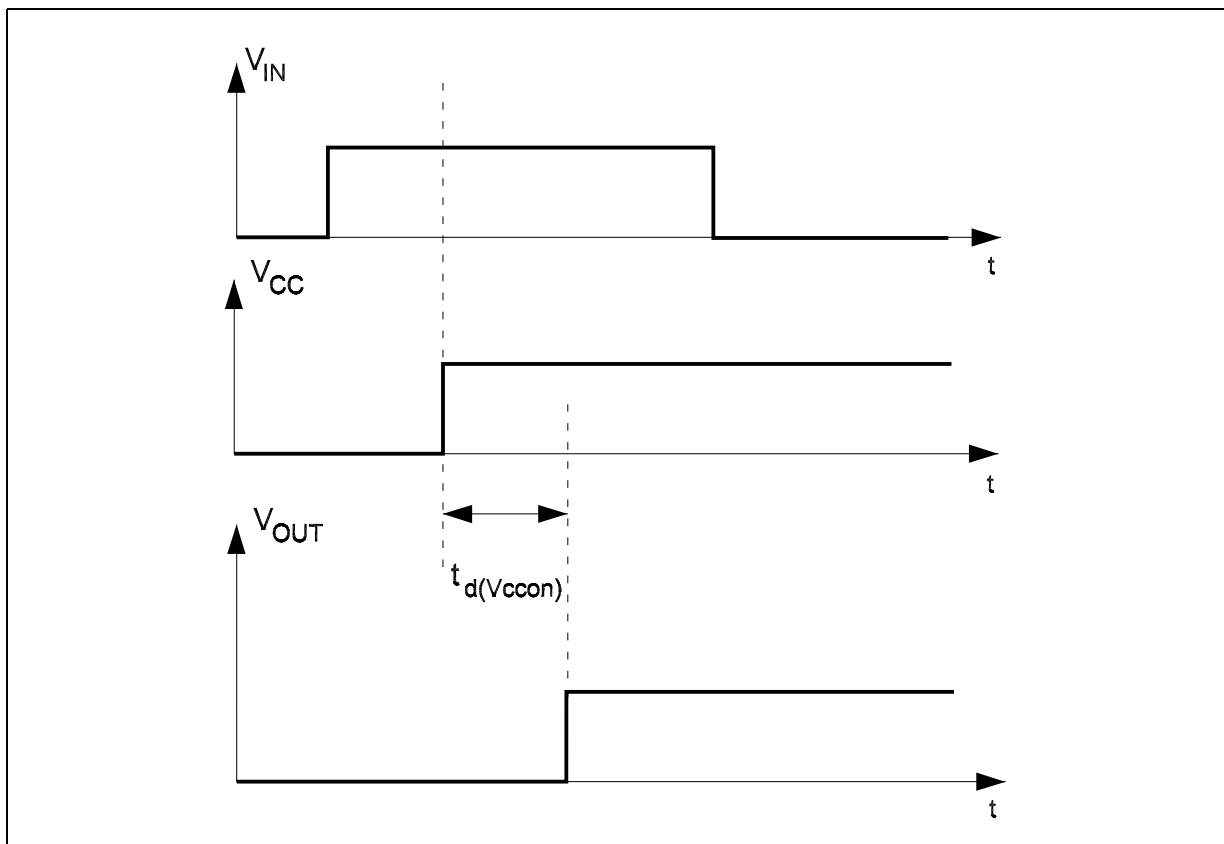


Table 9. Truth Table

Conditions	INPUTn	OUTPUTn	STATUS
Normal operation	L	L	L
	H	H	L
Current limitation	L	L	L
	H	X	L
Overtemperature (see waveforms 3, 4 <a href="#">Figure 6</a> . <a href="#">Figure 7</a> .) -> $T_J > T_{TSD}$	L	L	L
	H	L	H
Undervoltage	L	L	X
	H	L	X

Figure 5. Application Schematic

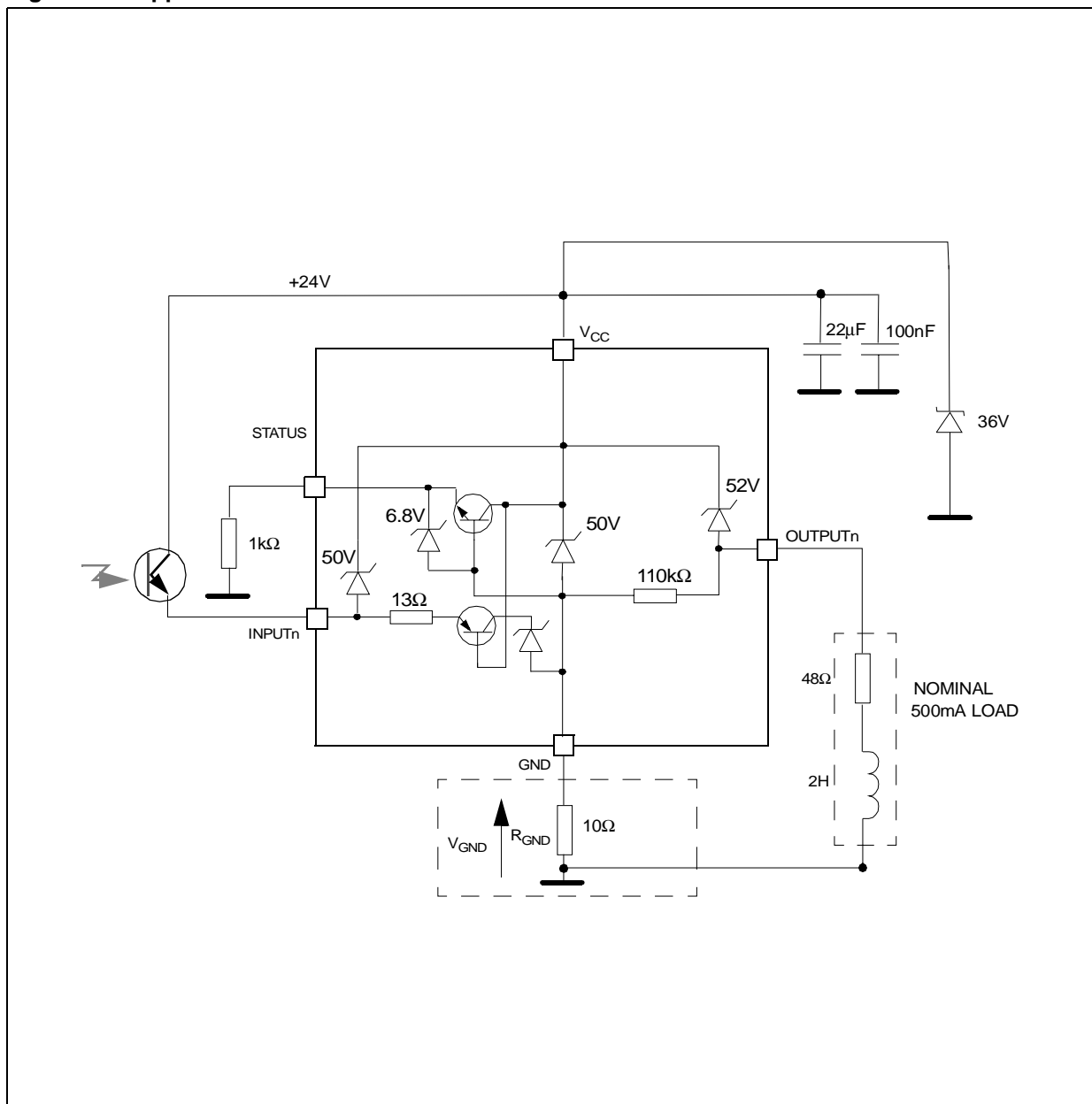


Figure 6. Waveforms

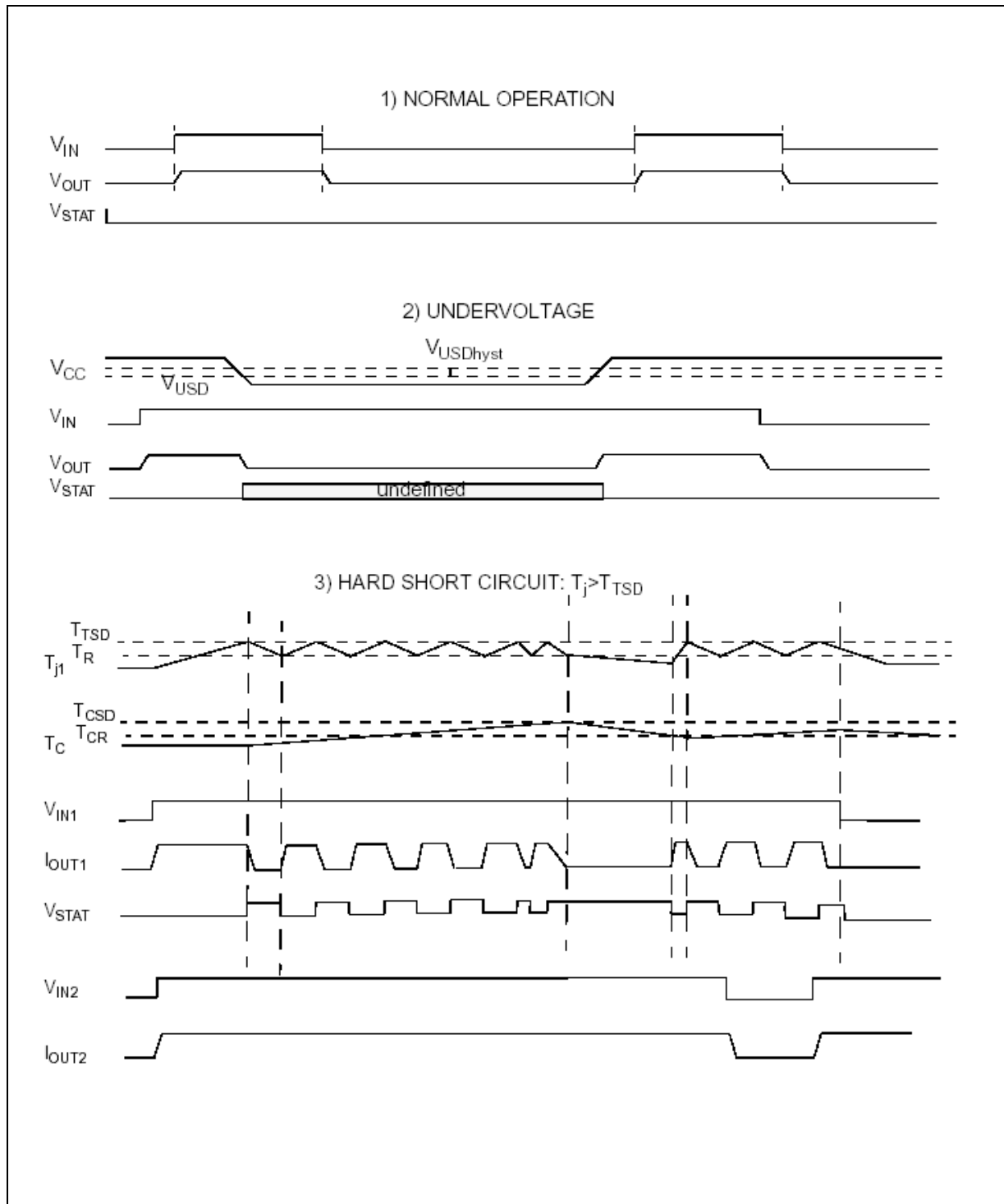
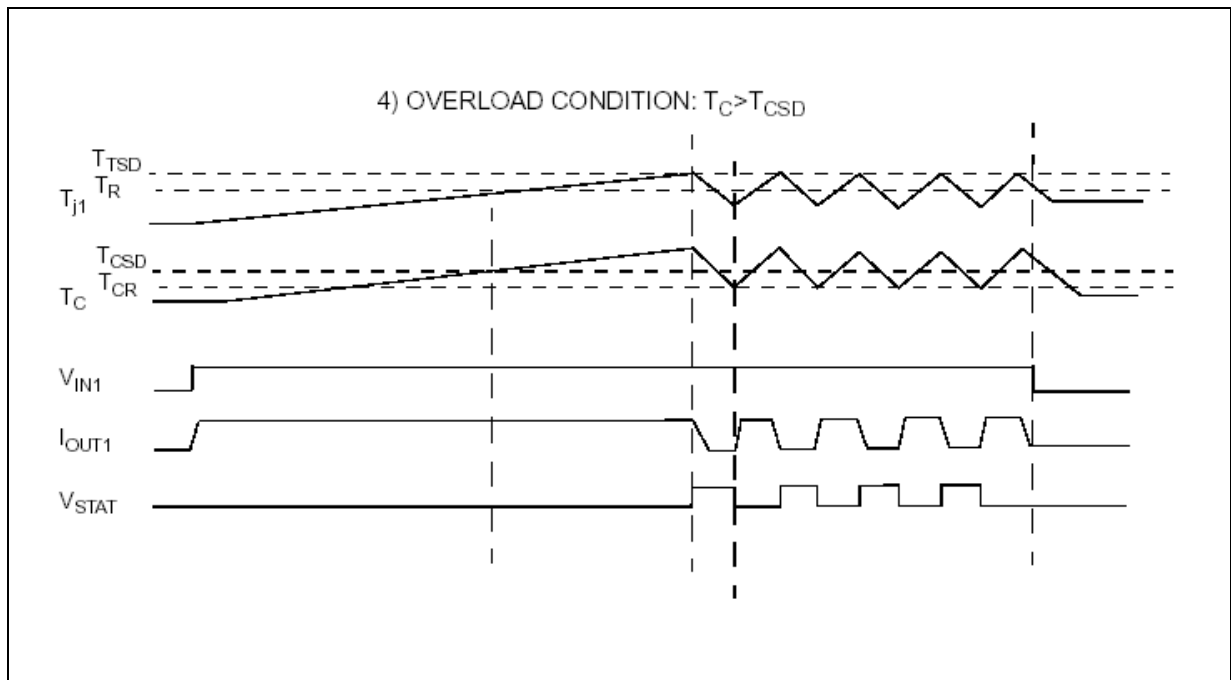




Figure 7. Waveforms ( continued )



## Mechanical Data

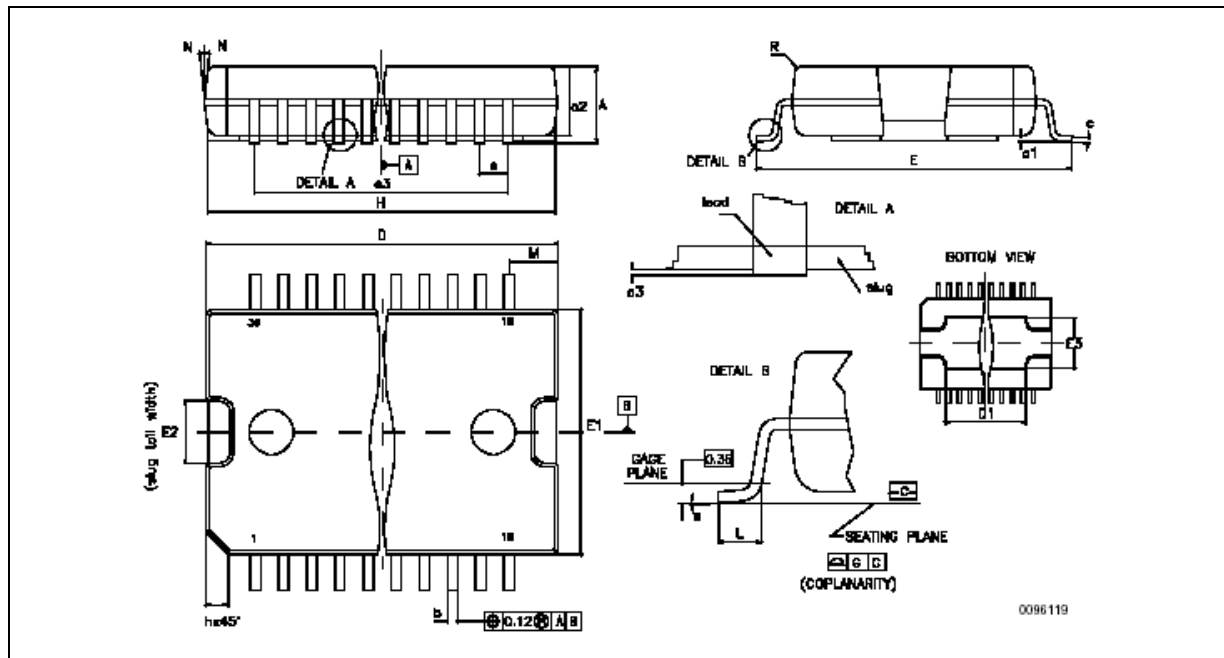
In order to meet environmental requirements, ST offers these devices in ECOPACK<sup>®</sup> packages. These packages have a Lead-free second level interconnect . The category of second level interconnect is marked on the package and on the inner box label, in compliance with JEDEC Standard JESD97. The maximum ratings related to soldering conditions are also marked on the inner box label. ECOPACK is an ST trademark. ECOPACK specifications are available at: [www.st.com](http://www.st.com)

Table 10. PowerSO-36 Mechanical Data

DIM.	mm.			inch		
	MIN.	TYP	MAX.	MIN.	TYP.	MAX.
A			3.60			0.141
a1	0.10		0.30	0.004		0.012
a2			3.30			0.130
a3	0		0.10	0		0.004
b	0.22		0.38	0.008		0.015
c	0.23		0.32	0.009		0.012
D (1)	15.80		16.00	0.622		0.630
D1	9.40		9.80	0.370		0.385
E	13.90		14.50	0.547		0.570
E1 (1)	10.90		11.10	0.429		0.437
E2			2.90			0.114
E3	5.80		6.20	0.228		0.244
e		0.65			0.0256	
e3		11.05			0.435	
G	0		0.10	0		0.004
H	15.50		15.90	0.610		0.626
h			1.10			0.043
L	0.80		1.10	0.031		0.043
N	10° (max)					
S	8° (max)					

1. "D" and "E1" do not include mold flash or protusions
  - Mold flash or protusions shall non exceed 0.15mm (0.006 inch)
  - Critical dimensions are "a3", "E" and "G".

Figure 8. PowerSO-36 Scheme



**Table 11. Order Codes**

Package	Tube	Tape and Reel
PowerSO-36	VN808CM-E	VN808CMTR-E

**Table 12. Revision History**

Date	Revision	Changes
12-Sep-2005	1	Final release

Information furnished is believed to be accurate and reliable. However, STMicroelectronics assumes no responsibility for the consequences of use of such information nor for any infringement of patents or other rights of third parties which may result from its use. No license is granted by implication or otherwise under any patent or patent rights of STMicroelectronics. Specifications mentioned in this publication are subject to change without notice. This publication supersedes and replaces all information previously supplied. STMicroelectronics products are not authorized for use as critical components in life support devices or systems without express written approval of STMicroelectronics.

The ST logo is a registered trademark of STMicroelectronics.  
All other names are the property of their respective owners

© 2005 STMicroelectronics - All rights reserved

STMicroelectronics group of companies

Australia - Belgium - Brazil - Canada - China - Czech Republic - Finland - France - Germany - Hong Kong - India - Israel - Italy - Japan -  
Malaysia - Malta - Morocco - Singapore - Spain - Sweden - Switzerland - United Kingdom - United States of America

[www.st.com](http://www.st.com)