

COMMERCIAL GRADE LED LIGHTED AND SEALED AGAINST DUST AND MOISTURE

The LP3 offers rugged, sealed construction with the added benefit of reliable LED illumination.

The LP3 is a precision snap-action switch designed for use in Off-Highway, Material Handling, Industrial Controls, Marine, Medical and demanding Commercial applications. Choose from the standard mounting styles and electrical ratings, or contact us for custom configurations.

On sealed models, a silicone boot operating on our patented "rolling sleeve" principle protects the contact area against contamination at the button area. This boot provides long life and smooth operation over a wide temperature range. Sealed terminals protect the contact area from hostile environments and solder flux on both sealed and unsealed models.

High contact pressure, amazingly low (25 milliohms maximum, standard) contact resistance and extremely low contact bounce are all the result of the OTTO patented snap-action mechanism. Extra long electrical life and precise trip point offer added value and precision operation.

## Quality Features:

- **Watertight to IP68. Moistureproof and dusttight to IP64 & M8805 Design 2**
- **LED lighted with the ability to accommodate 2, 6, 12 & 24 VDC power and include reverse voltage protection**
- **Tall & domed styled buttons in translucent white, red and amber permitting sublimated and pad printed legends**
- **Less than 25 milliohms contact resistance**
- **Quick disconnect terminals**
- **15/32" & 5/8" thread, press-fit and domed case styles available**



**Momentary,  
Raised Dome  
Shown**



**Momentary,  
Front Mount  
Shown**

### Standard Characteristics/Ratings:

**ELECTRICAL CIRCUIT:** SPST-NO Double-break, SPST-NC Double-break, and SPDT Double-break.

**ELECTRICAL RATINGS:** (at 28 VDC or 115 VAC, 60/400 Hz.)

LOAD	AMPERES
Resistive	5 amp
Inductive	3 amp
Motor	3 amp
Lamp	1 amp
Low Level	10 mA (@30mV)

**Electrical Life:** 25,000 cycles minimum

**Seal:** Moistureproof and dusttight to IP64 & M8805 Design 2, Watertight to IP68

**Shock:** Impact shock 100 G IAW 8805

**Operating Force:** 2.5 ± 1.5 lbs. and 5 ± 1.0 lbs.

**Operating Temperature Range:** -55°C to + 85°C

**Materials:** Case: Aluminum anodized black and clear  
Button: Thermoplastic

**Mounting:** Hexnut, Lockwasher, and \*Panel Seal Gasket  
\* with watertight version only.

**Terminals:** Faston quick disconnect, suitable for soldering  
Standard silver-plated with optional gold plating for low level applications

## LP3 Part Number Code

Case Style	Circuit Rating	Light Source Type* w/Rev. Pol. Protection	Seal Level	Operate Force	Case Color	Button Color	Legend Style
E. Exposed Dome	1. SPST N.O./Std.	A. 2V Red LED	1. Unsealed	2. 2.5 lb	1. Silver	A. Amber, Translucent (Use Amber LED)	Refer to Legend Table on page 83 for Legend Codes. Legends Will Be Printed In White On Amber & Red, Buttons And In Black On White Buttons.
F. Flush Dome	2. SPST N.C./Std.	B. 2V Green LED	2. Dusttight	5. 5 lb	2. Black	R. Red, Translucent (Use Red LED)	
R. Raised Dome	3. SPDT 2-Circuit/Std.	C. 2V Amber LED	3. Watertight			W. White, Translucent	
1. Press-Fit Mount	4. SPST N.O./Low Level	D. 6V Red LED					
3. 5/8" Thread Front Mount	5. SPST N.C./Low Level	E. 6V Green LED					
4. 15/32" Thread Rear Mount	6. SPDT 2-Circuit/Low Level	F. 6V Amber LED					
6. 5/8" Thread Rear Mount		G. 12V Red LED					
		H. 12V Green LED					
		J. 12V Amber LED					
		K. 24V Red LED					
		L. 24V Green LED					
		M. 24V Amber LED					

\* For super bright LEDs contact factory.

**Stop Here** for lighted switches without legends.

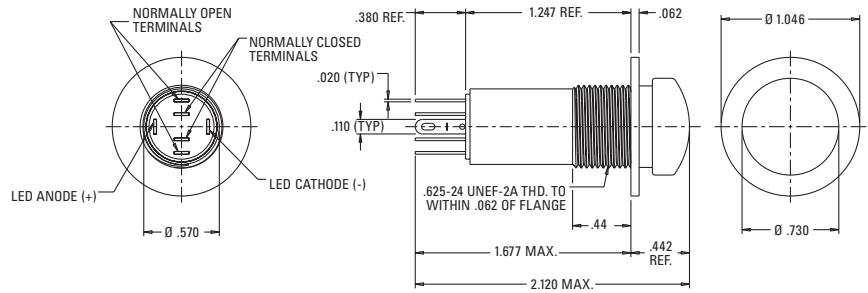
# LIGHTED AND SEALED PUSHBUTTONS

**LP3**  
LIGHTED  
PUSHBUTTONS

COMMERCIAL GRADE LED LIGHTED AND SEALED AGAINST DUST AND MOISTURE

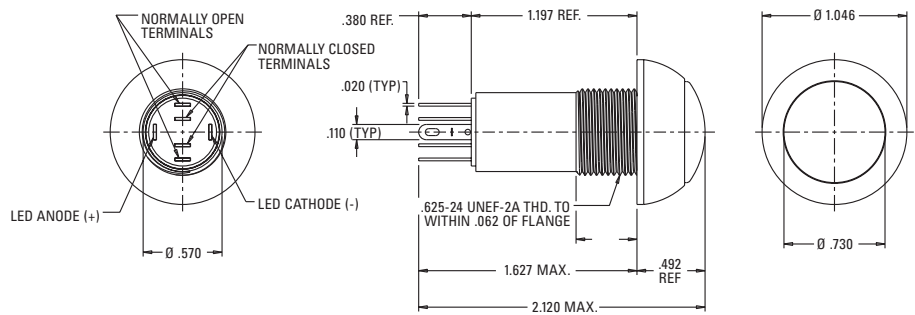
PUSHBUTTONS

**LP3-E**  
Momentary, Exposed Dome Button

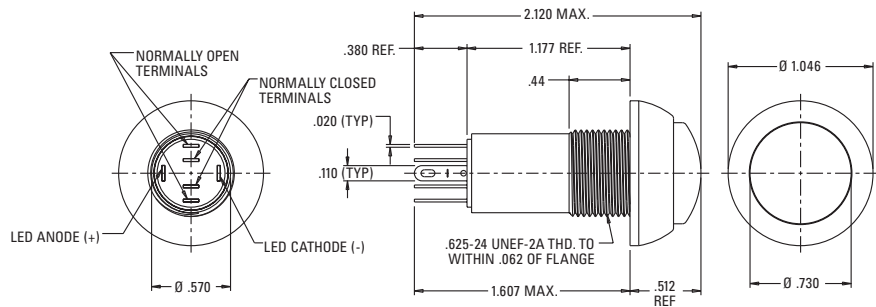


**NOTE:**  
For indicator light only, see LP5 series

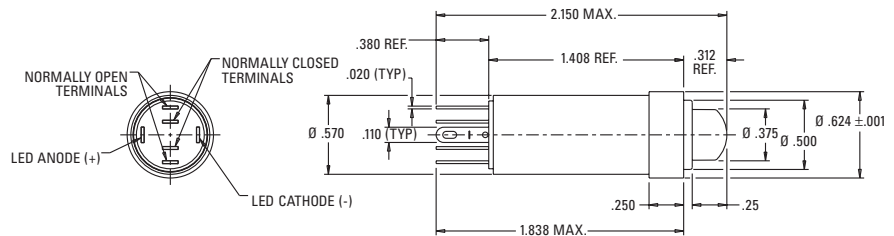
**LP3-F**  
Momentary, Flush Dome Button



**LP3-R**  
Momentary, Raised Dome Button



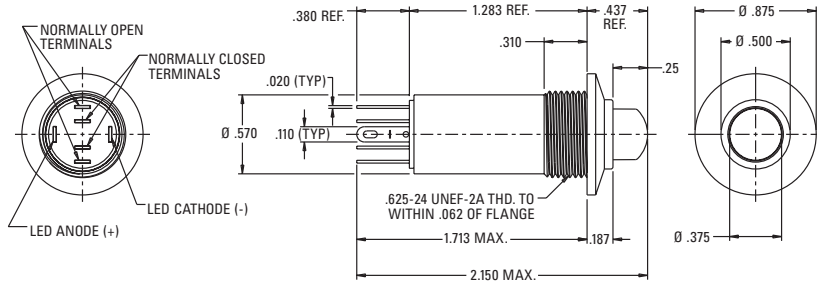
**LP3-1**  
Momentary, Press-fit Mount



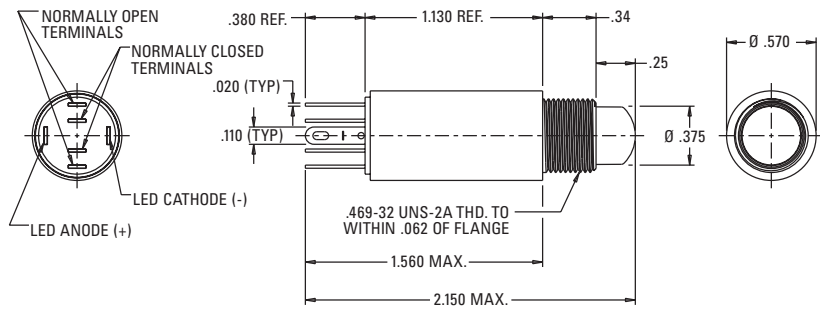
# LIGHTED AND SEALED PUSHBUTTONS

COMMERCIAL GRADE LED LIGHTED AND SEALED AGAINST DUST AND MOISTURE

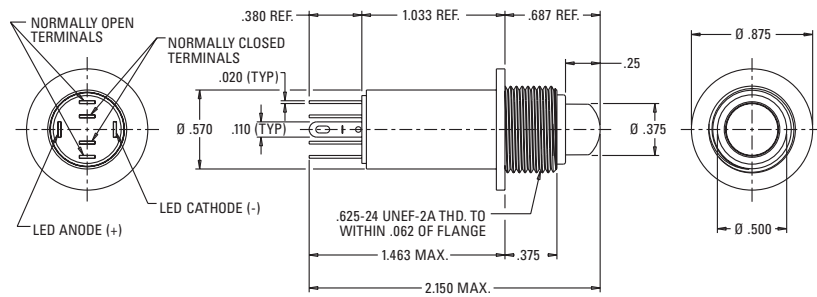
**LP3-3**  
Momentary, 5/8" Threaded Front Mount



**LP3-4**  
Momentary, 15/32" Threaded Rear Mount



**LP3-6**  
Momentary, 5/8" Threaded Rear Mount



**NOTE:**  
For indicator light only, see LP5 series