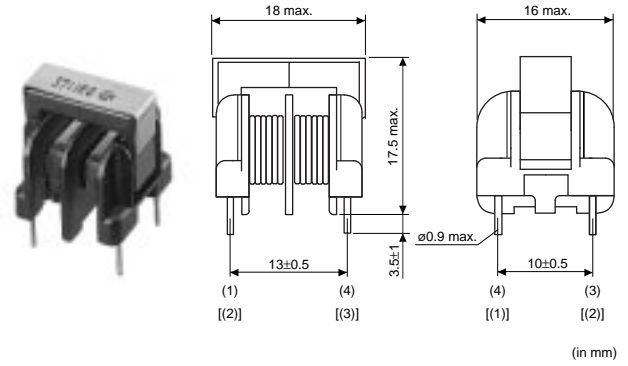


PLH10 Series

The PLH10 series is a common mode choke coil for high frequency use. The same dimensions as the PLA10 series enables flexible design.

■ Features

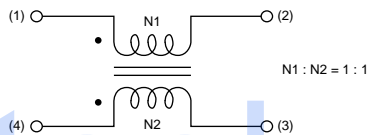
1. High performance in high frequency range
2. Low profile in vertical core layout
3. Compact and light weight



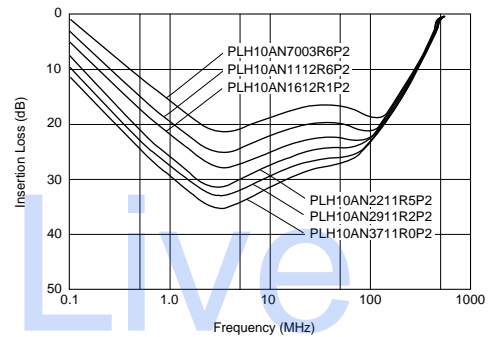
Part Number	Common Mode Inductance (min.) (μH)	Rated Current (A)	Rated Voltage (V)	Insulation Resistance (min.) (M ohm)
PLH10AN7003R6P2	70	3.6	300	100
PLH10AN1112R6P2	110	2.6	300	100
PLH10AN1612R1P2	160	2.1	300	100
PLH10AN2211R5P2	220	1.5	300	100
PLH10AN2911R2P2	290	1.2	300	100
PLH10AN3711R0P2	370	1.0	300	100

Operating Temperature Range (Ambient Temperature Range + Winding Temperature Rise) : -25°C to 120°C Winding Temperature Rise (at Rated Current) (max.) : 60K

■ Equivalent Circuit Diagram



■ Insertion Loss Characteristics (Typical)



Datasheet.Live

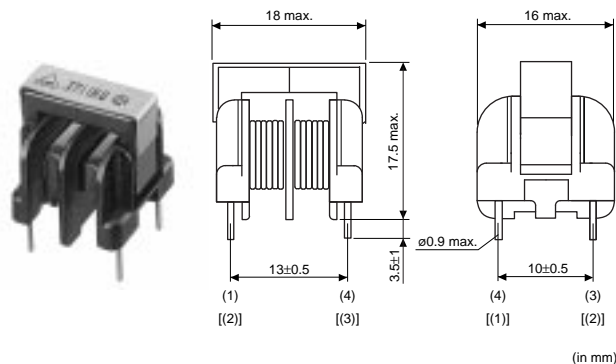
PLH10 Series (Safety Standard Recognized)

■ Features

1. High performance in high frequency range
2. Low profile in vertical core layout
3. Compact and light weight
4. Safety standards: EN60065

■ Applications

Suppressing radiation noise in switching power supply and inverter (AC-AC converter)

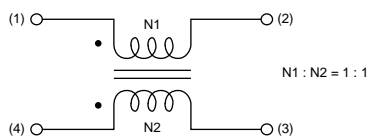


(in mm)

Part Number	Common Mode Inductance (min.) (μH)	Rated Current (A)	Rated Voltage (V)	Insulation Resistance (min.) (M ohm)
PLH10AS7003R6P2	70	3.6	250	100
PLH10AS1112R6P2	110	2.6	250	100
PLH10AS1612R1P2	160	2.1	250	100
PLH10AS2211R5P2	220	1.5	250	100
PLH10AS2911R2P2	290	1.2	250	100
PLH10AS3711R0P2	370	1.0	250	100

Operating Temperature Range : -25°C to 60°C Winding Temperature Rise (at Rated Current) (max.) : 60K

■ Equivalent Circuit Diagram



■ Insertion Loss Characteristics (Typical)

