

LM301A, LM201A, LM201AV

Non Compensated Single Operational Amplifiers

A general purpose operational amplifier that allows the user to choose the compensation capacitor best suited to his needs. With proper compensation, summing amplifier slew rates to 10 V/ μ s can be obtained.

Features

- Low Input Offset Current: 20 nA Maximum Over Temperature Range
- External Frequency Compensation for Flexibility
- Class AB Output Provides Excellent Linearity
- Output Short Circuit Protection
- Guaranteed Drift Characteristics
- Pb-Free Packages are Available

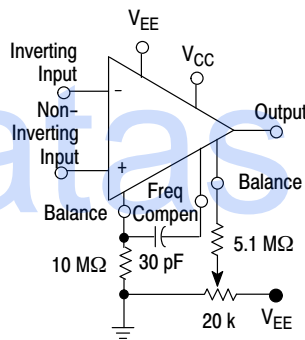


Figure 1. Standard Compensation and Offset Balancing Circuit

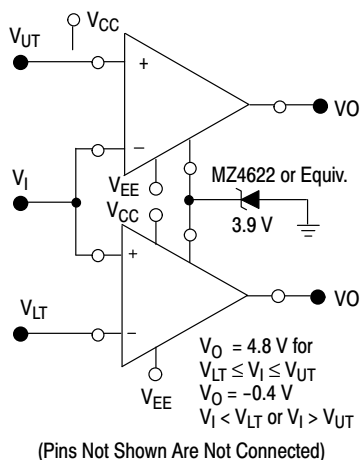


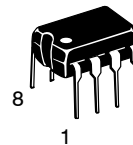
Figure 2. Double-Ended Limit Detector



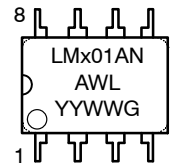
ON Semiconductor®

<http://onsemi.com>

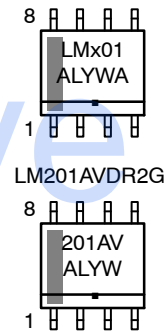
MARKING DIAGRAMS



PDIP-8
N SUFFIX
CASE 626

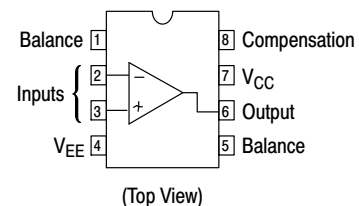


SOIC-8
D SUFFIX
CASE 751



- x = 2 or 3
- A = Assembly Location
- WL, L = Wafer Lot
- YY, Y = Year
- WW, W = Work Week
- G = Pb-Free Package
- = Pb-Free Package

PIN CONNECTIONS



ORDERING INFORMATION

See detailed ordering and shipping information in the package dimensions section on page 2 of this data sheet.

LM301A, LM201A, LM201AV

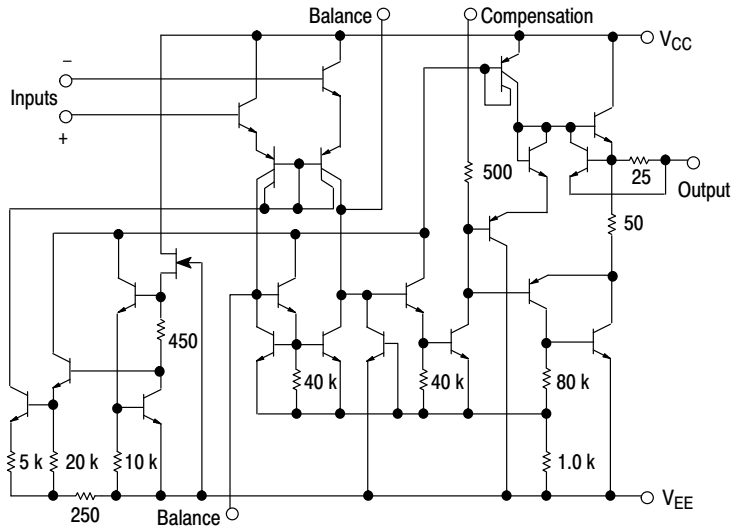


Figure 3. Representative Circuit Schematic

ORDERING INFORMATION

| Device | Package | Shipping [†] |
|-------------|---------------------|-----------------------|
| LM301ADG | SOIC-8 (Pb-Free) | 98 Units/Rail |
| LM301ADR2G | SOIC-8 (Pb-Free) | 2500 Tape & Reel |
| LM301AN | PDIP-8 | 50 Units/Rail |
| LM301ANG | PDIP-8 (Pb-Free) | 50 Units/Rail |
| LM201ADG | SOIC-8 (Pb-Free) | 98 Units/Rail |
| LM201ADR2G | SOIC-8 (Pb-Free) | 2500 Tape & Reel |
| LM201AN | PDIP-8 | 50 Units/Rail |
| LM201ANG | PDIP-8 (Pb-Free) | 50 Units/Rail |
| LM201AVDR2G | SOIC-8 (Pb-Free) | 2500 Tape & Reel |

[†]For information on tape and reel specifications, including part orientation and tape sizes, please refer to our Tape and Reel Packaging Specifications Brochure, BRD8011/D.

LM301A, LM201A, LM201AV

MAXIMUM RATINGS

| Rating | Symbol | Value | | | Unit |
|--|------------------|-----------------|-------------|----------|----------------------|
| | | LM201A | LM201AV | LM301A | |
| Power Supply Voltage | V_{CC}, V_{EE} | ± 22 | ± 22 | ± 18 | Vdc |
| Input Differential Voltage | V_{ID} | ← ± 30 → | | | V |
| Input Common Mode Range (Note 1) | V_{ICR} | ← ± 15 → | | | V |
| Output Short Circuit Duration | t_{SC} | ← Continuous → | | | |
| Power Dissipation (Package Limitation) | P_D | | | | |
| Plastic Dual-In-Line Package | | 625 | 625 | 625 | mW |
| Derate above $T_A = +25^\circ\text{C}$ | | 5.0 | 5.0 | 5.0 | mW/ $^\circ\text{C}$ |
| Operating Ambient Temperature Range | T_A | -25 to +85 | -40 to +105 | 0 to +70 | $^\circ\text{C}$ |
| Storage Temperature Range | T_{stg} | ← -65 to +150 → | | | $^\circ\text{C}$ |

Stresses exceeding Maximum Ratings may damage the device. Maximum Ratings are stress ratings only. Functional operation above the Recommended Operating Conditions is not implied. Extended exposure to stresses above the Recommended Operating Conditions may affect device reliability.

ELECTRICAL CHARACTERISTICS ($T_A = +25^\circ\text{C}$, unless otherwise noted.) Unless otherwise specified, these specifications apply for supply voltages from $\pm 5.0\text{ V}$ to $\pm 20\text{ V}$ for the LM201A and LM201AV, and from $\pm 5.0\text{ V}$ to $\pm 15\text{ V}$ for the LM301A.

| Characteristic | Symbol | LM201A / LM201AV | | | LM301A | | | Unit |
|---|------------------|------------------|-----|-----|--------|-----|-----|------------------|
| | | Min | Typ | Max | Min | Typ | Max | |
| Input Offset Voltage ($R_S \leq 50\text{ k}\Omega$) | V_{IO} | - | 0.7 | 2.0 | - | 2.0 | 7.5 | mV |
| Input Offset Current | I_{IO} | - | 1.5 | 10 | - | 3.0 | 50 | nA |
| Input Bias Current | I_{IB} | - | 30 | 75 | - | 70 | 250 | nA |
| Input Resistance | r_i | 1.5 | 4.0 | - | 0.5 | 2.0 | - | $\text{M}\Omega$ |
| Supply Current | I_{CC}, I_{EE} | | | | | | | mA |
| $V_{CC}/V_{EE} = \pm 20\text{ V}$ | | - | 1.8 | 3.0 | - | - | - | |
| $V_{CC}/V_{EE} = \pm 15\text{ V}$ | | - | - | - | - | 1.8 | 3.0 | |
| Large Signal Voltage Gain ($V_{CC}/V_{EE} = \pm 15\text{ V}, V_O = \pm 10\text{ V}, R_L > 2.0\text{ k}\Omega$) | A_V | 50 | 160 | - | 25 | 160 | - | V/mV |

The following specifications apply over the operating temperature range.

| | | | | | | | | |
|---|--------------------------|----------------------|----------------------|-----|----------------------|----------------------|-----|------------------------------|
| Input Offset Voltage ($R_S \leq 50\text{ k}\Omega$) | V_{IO} | - | - | 3.0 | - | - | 10 | mV |
| Input Offset Current | I_{IO} | - | - | 20 | - | - | 70 | nA |
| Avg Temperature Coefficient of Input Offset Voltage (Note 2) $T_A(\text{min}) \leq T_A \leq T_A(\text{max})$ | $\Delta V_{IO}/\Delta T$ | - | 3.0 | 15 | - | 6.0 | 30 | $\mu\text{V}/^\circ\text{C}$ |
| Avg Temperature Coefficient of Input Offset Current (Note 2) $+25^\circ\text{C} \leq T_A \leq T_A(\text{max})$ $T_A(\text{min}) \leq T_A \leq 25^\circ\text{C}$ | $\Delta I_{IO}/\Delta T$ | | | | | | | nA/ $^\circ\text{C}$ |
| $+25^\circ\text{C} \leq T_A \leq T_A(\text{max})$ | | - | 0.01 | 0.1 | - | 0.01 | 0.3 | |
| $T_A(\text{min}) \leq T_A \leq 25^\circ\text{C}$ | | - | 0.02 | 0.2 | - | 0.02 | 0.6 | |
| Input Bias Current | I_{IB} | - | - | 100 | - | - | 300 | nA |
| Large Signal Voltage Gain ($V_{CC}/V_{EE} = \pm 15\text{ V}, V_O = \pm 10\text{ V}, R_L > 2.0\text{ k}\Omega$) | A_{VOL} | 25 | - | - | 15 | - | - | V/mV |
| Input Voltage Range $V_{CC}/V_{EE} = \pm 20\text{ V}$ $V_{CC}/V_{EE} = \pm 15\text{ V}$ | V_{ICR} | -15 | - | +15 | - | - | - | V |
| $V_{CC}/V_{EE} = \pm 15\text{ V}$ | | - | - | - | -12 | - | +12 | |
| Common Mode Rejection ($R_S \leq 50\text{ k}\Omega$) | CMR | 80 | 96 | - | 70 | 90 | - | dB |
| Supply Voltage Rejection ($R_S \leq 50\text{ k}\Omega$) | PSR | 80 | 96 | - | 70 | 96 | - | dB |
| Output Voltage Swing ($V_{CC}/V_{EE} = \pm 15\text{ V}, R_L = \pm 10\text{ k}\Omega, R_L > 2.0\text{ k}\Omega$) | V_O | ± 12 ± 10 | ± 14 ± 13 | - | ± 12 ± 10 | ± 14 ± 13 | - | V |
| Supply Currents ($T_A = T_A(\text{max}), V_{CC}/V_{EE} = \pm 20\text{ V}$) | I_{CC}, I_{EE} | - | 1.2 | 2.5 | - | - | - | mA |

- For supply voltages less than $\pm 15\text{ V}$, the absolute maximum input voltage is equal to the supply voltage.
- Guaranteed by design.

LM301A, LM201A, LM201AV

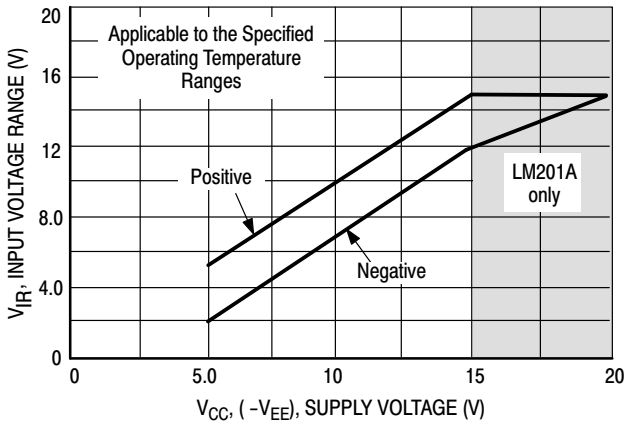


Figure 4. Minimum Input Voltage Range

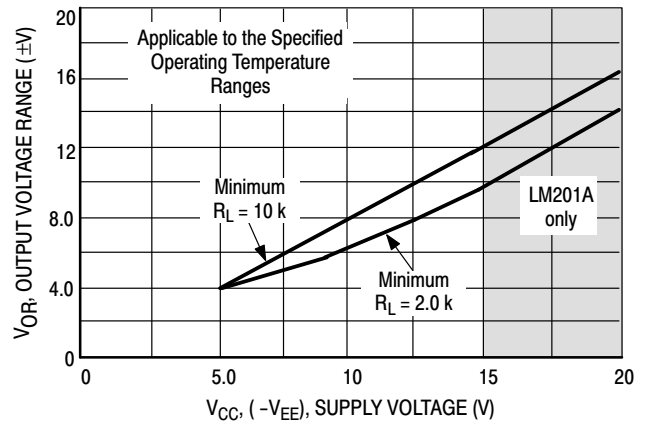


Figure 5. Minimum Output Voltage Swing

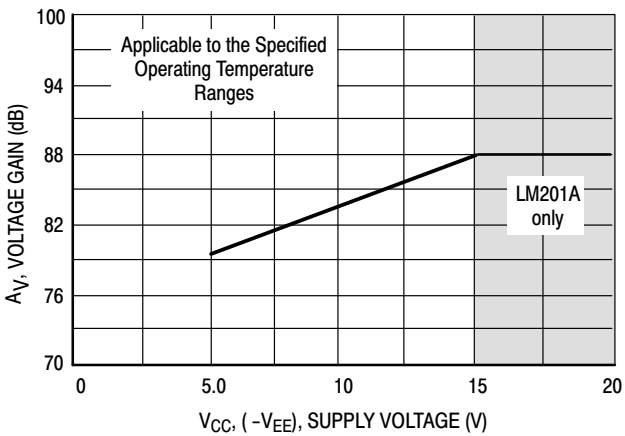


Figure 6. Minimum Voltage Gain

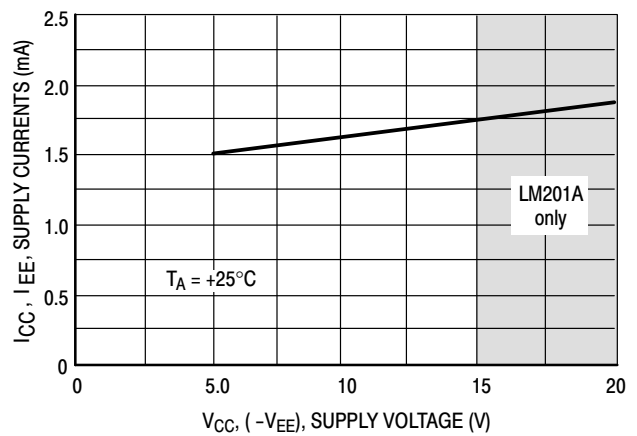


Figure 7. Typical Supply Currents

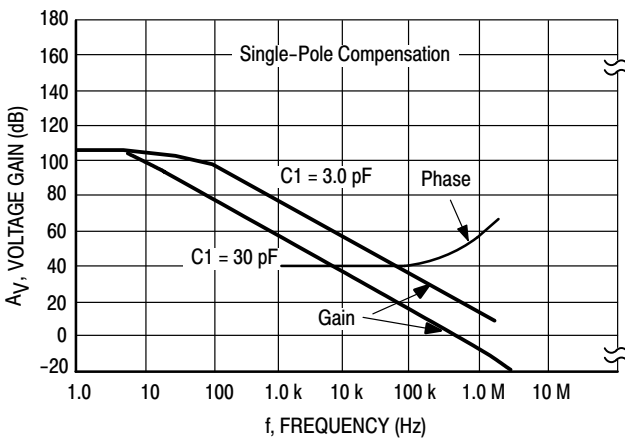


Figure 8. Open Loop Frequency Response

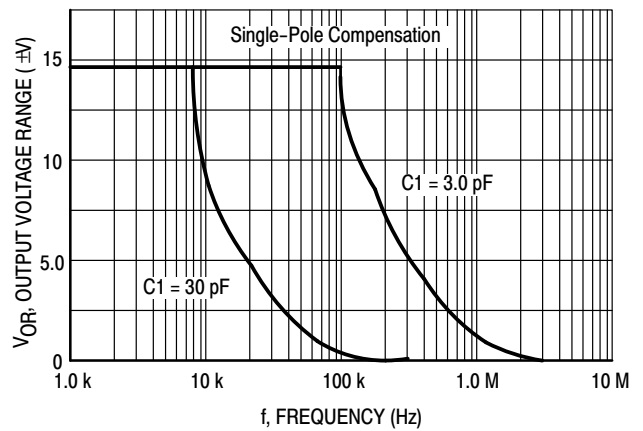


Figure 9. Large Signal Frequency Response

LM301A, LM201A, LM201AV

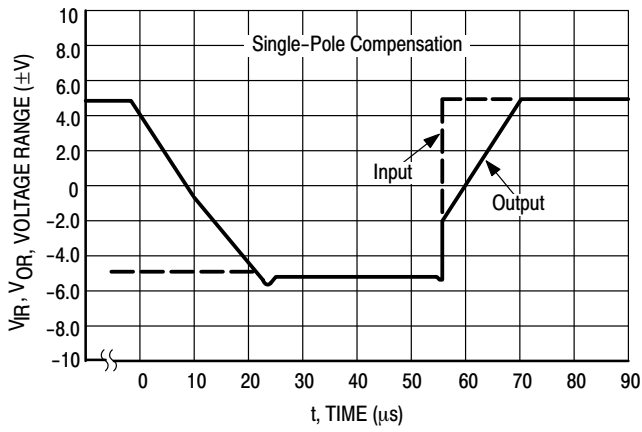


Figure 10. Voltage Follower Pulse Response

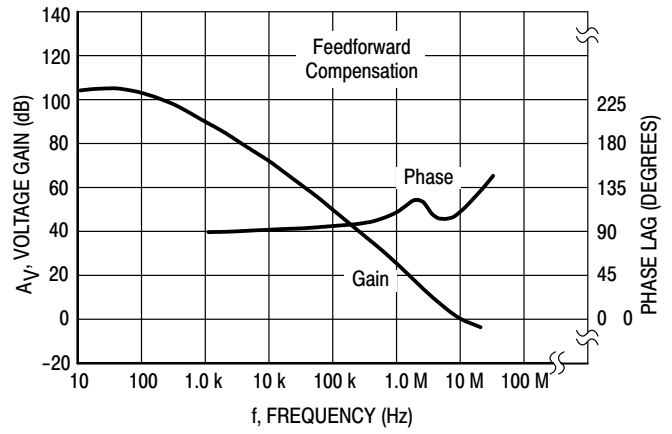


Figure 11. Open Loop Frequency Response

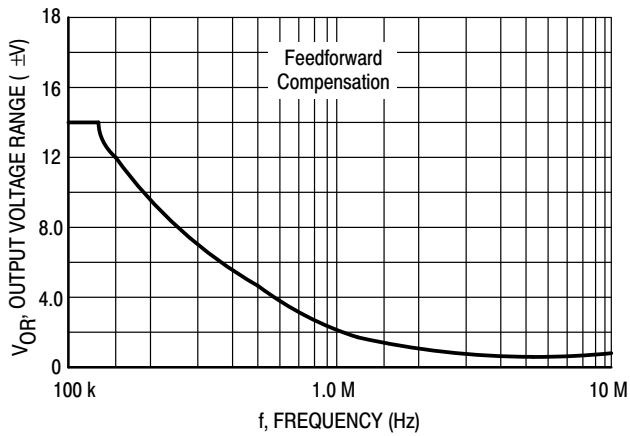


Figure 12. Large Signal Frequency Response

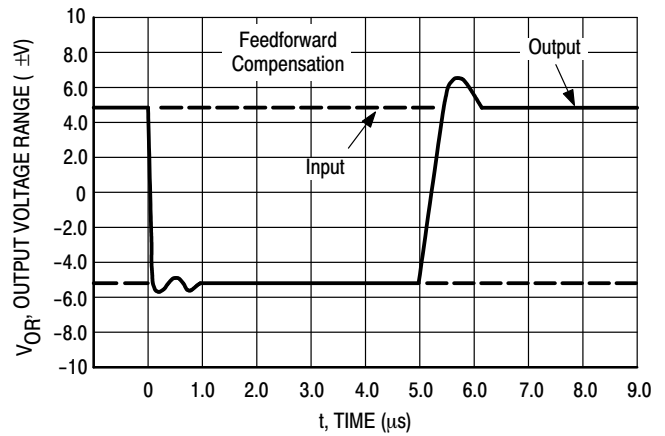


Figure 13. Inverter Pulse Response

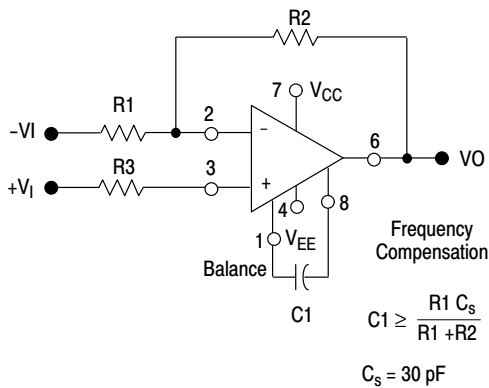


Figure 14. Single-Pole Compensation

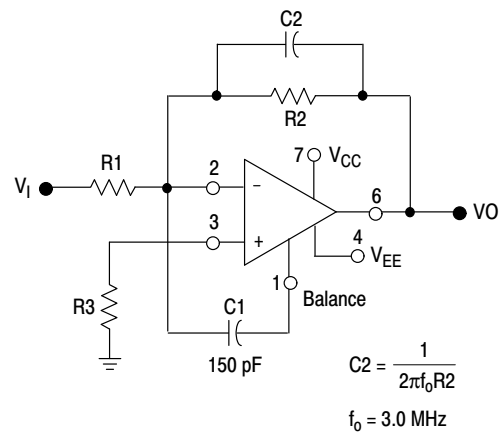
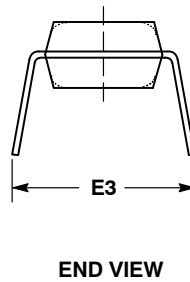
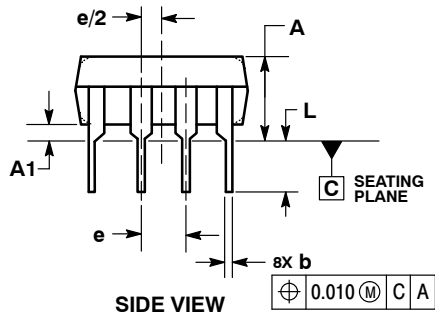
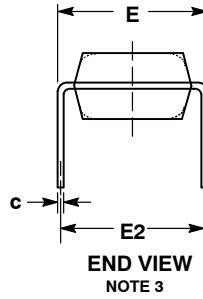
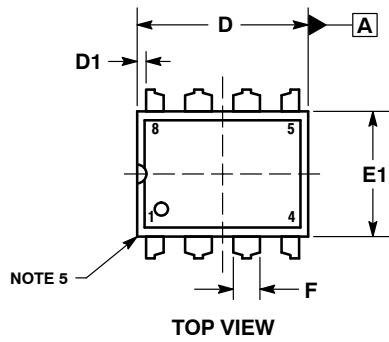


Figure 15. Feedforward Compensation

LM301A, LM201A, LM201AV

PACKAGE DIMENSIONS

8 LEAD PDIP CASE 626-05 ISSUE M



NOTES:

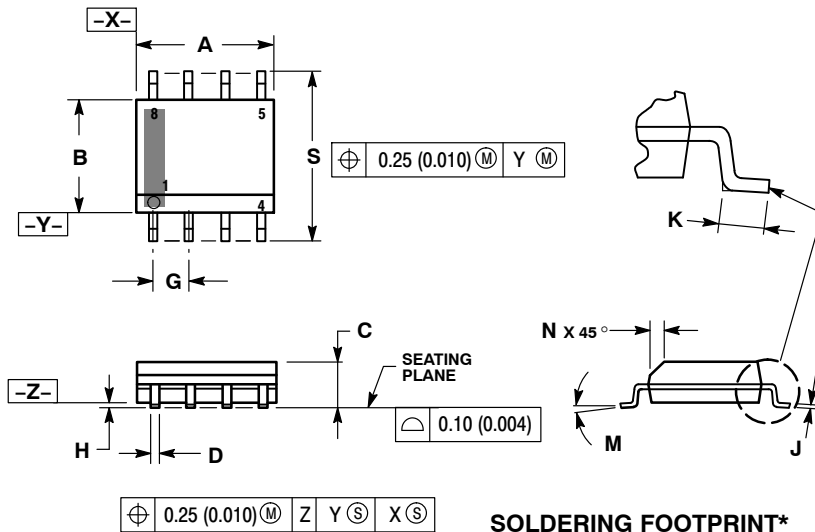
1. DIMENSIONING AND TOLERANCING PER ASME Y14.5M, 1994.
2. CONTROLLING DIMENSION: INCHES.
3. DIMENSION E IS MEASURED WITH THE LEADS RESTRAINED PARALLEL AT WIDTH E2.
4. DIMENSION E1 DOES NOT INCLUDE MOLD FLASH.
5. ROUNDED CORNERS OPTIONAL.

| DIM | INCHES | | | MILLIMETERS | | |
|-----|-----------|-------|-------|-------------|------|-------|
| | MIN | NOM | MAX | MIN | NOM | MAX |
| A | ---- | ---- | 0.210 | ---- | ---- | 5.33 |
| A1 | 0.015 | ---- | ---- | 0.38 | ---- | ---- |
| b | 0.014 | 0.018 | 0.022 | 0.35 | 0.46 | 0.56 |
| C | 0.008 | 0.010 | 0.014 | 0.20 | 0.25 | 0.36 |
| D | 0.355 | 0.365 | 0.400 | 9.02 | 9.27 | 10.02 |
| D1 | 0.005 | ---- | ---- | 0.13 | ---- | ---- |
| E | 0.300 | 0.310 | 0.325 | 7.62 | 7.87 | 8.26 |
| E1 | 0.240 | 0.250 | 0.280 | 6.10 | 6.35 | 7.11 |
| E2 | 0.300 BSC | | | 7.62 BSC | | |
| E3 | ---- | ---- | 0.430 | ---- | ---- | 10.92 |
| e | 0.100 BSC | | | 2.54 BSC | | |
| L | 0.115 | 0.130 | 0.150 | 2.92 | 3.30 | 3.81 |

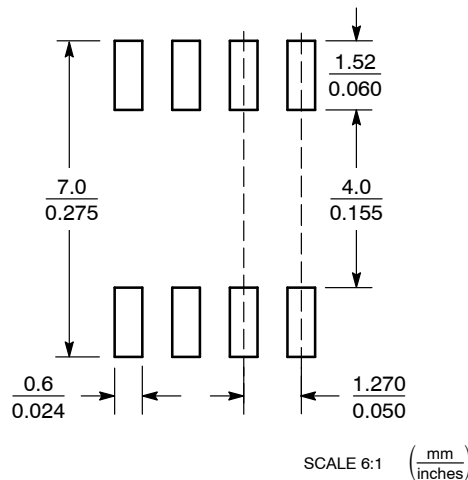
LM301A, LM201A, LM201AV

PACKAGE DIMENSIONS

SOIC-8 NB
CASE 751-07
ISSUE AK



SOLDERING FOOTPRINT*



*For additional information on our Pb-Free strategy and soldering details, please download the ON Semiconductor Soldering and Mounting Techniques Reference Manual, SOLDERRM/D.

NOTES:

1. DIMENSIONING AND TOLERANCING PER ANSI Y14.5M, 1982.
2. CONTROLLING DIMENSION: MILLIMETER.
3. DIMENSION A AND B DO NOT INCLUDE MOLD PROTRUSION.
4. MAXIMUM MOLD PROTRUSION 0.15 (0.006) PER SIDE.
5. DIMENSION D DOES NOT INCLUDE DAMBAR PROTRUSION. ALLOWABLE DAMBAR PROTRUSION SHALL BE 0.127 (0.005) TOTAL IN EXCESS OF THE D DIMENSION AT MAXIMUM MATERIAL CONDITION.
6. 751-01 THRU 751-06 ARE OBSOLETE. NEW STANDARD IS 751-07.

| DIM | MILLIMETERS | | INCHES | |
|-----|-------------|------|-----------|-------|
| | MIN | MAX | MIN | MAX |
| A | 4.80 | 5.00 | 0.189 | 0.197 |
| B | 3.80 | 4.00 | 0.150 | 0.157 |
| C | 1.35 | 1.75 | 0.053 | 0.069 |
| D | 0.33 | 0.51 | 0.013 | 0.020 |
| G | 1.27 BSC | | 0.050 BSC | |
| H | 0.10 | 0.25 | 0.004 | 0.010 |
| J | 0.19 | 0.25 | 0.007 | 0.010 |
| K | 0.40 | 1.27 | 0.016 | 0.050 |
| M | 0° | 8° | 0° | 8° |
| N | 0.25 | 0.50 | 0.010 | 0.020 |
| S | 5.80 | 6.20 | 0.228 | 0.244 |

ON Semiconductor and are registered trademarks of Semiconductor Components Industries, LLC (SCILLC). SCILLC reserves the right to make changes without further notice to any products herein. SCILLC makes no warranty, representation or guarantee regarding the suitability of its products for any particular purpose, nor does SCILLC assume any liability arising out of the application or use of any product or circuit, and specifically disclaims any and all liability, including without limitation special, consequential or incidental damages. "Typical" parameters which may be provided in SCILLC data sheets and/or specifications can and do vary in different applications and actual performance may vary over time. All operating parameters, including "Typicals" must be validated for each customer application by customer's technical experts. SCILLC does not convey any license under its patent rights nor the rights of others. SCILLC products are not designed, intended, or authorized for use as components in systems intended for surgical implant into the body, or other applications intended to support or sustain life, or for any other application in which the failure of the SCILLC product could create a situation where personal injury or death may occur. Should Buyer purchase or use SCILLC products for any such unintended or unauthorized application, Buyer shall indemnify and hold SCILLC and its officers, employees, subsidiaries, affiliates, and distributors harmless against all claims, costs, damages, and expenses, and reasonable attorney fees arising out of, directly or indirectly, any claim of personal injury or death associated with such unintended or unauthorized use, even if such claim alleges that SCILLC was negligent regarding the design or manufacture of the part. SCILLC is an Equal Opportunity/Affirmative Action Employer. This literature is subject to all applicable copyright laws and is not for resale in any manner.

PUBLICATION ORDERING INFORMATION

LITERATURE FULFILLMENT:
Literature Distribution Center for ON Semiconductor
P.O. Box 5163, Denver, Colorado 80217 USA
Phone: 303-675-2175 or 800-344-3860 Toll Free USA/Canada
Fax: 303-675-2176 or 800-344-3867 Toll Free USA/Canada
Email: orderlit@onsemi.com

N. American Technical Support: 800-282-9855 Toll Free USA/Canada
Europe, Middle East and Africa Technical Support:
Phone: 421 33 790 2910
Japan Customer Focus Center
Phone: 81-3-5817-1050

ON Semiconductor Website: www.onsemi.com
Order Literature: <http://www.onsemi.com/orderlit>
For additional information, please contact your local Sales Representative

Mouser Electronics

Authorized Distributor

Click to View Pricing, Inventory, Delivery & Lifecycle Information:

[ON Semiconductor:](#)

[LM201ADG](#) [LM201ADR2G](#) [LM201AVDR2G](#) [LM301ADG](#) [LM301ADR2G](#)