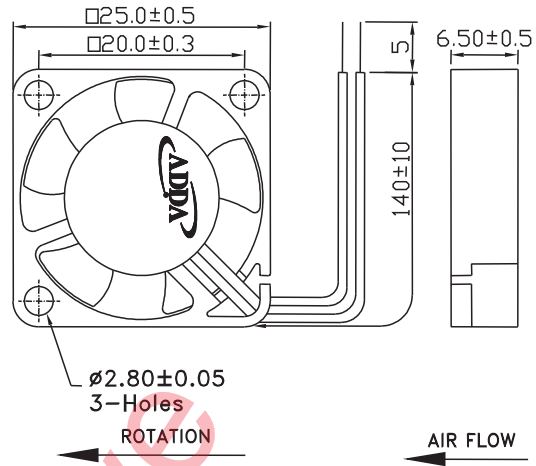
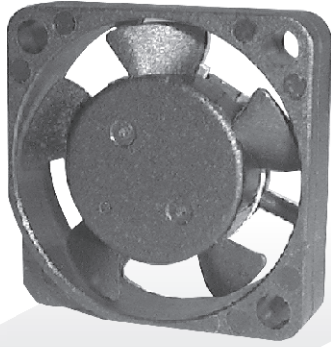




AD2506 SERIES

External Dimensions



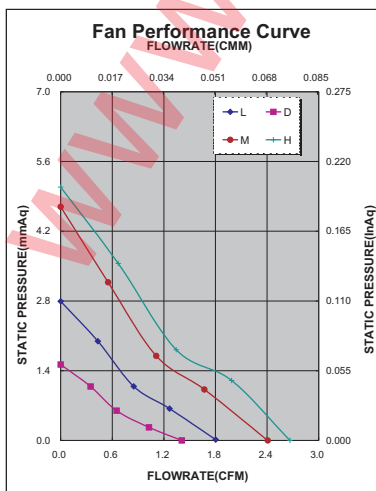
Frame: Plastic (UL:94V-0)
 Impeller: Plastic (UL:94V-0)
 Lead wire: UL1571AWG28

Specifications(Nominal)

*Noise is measured at the distance of one (1) meter from the axis of intake.
 Bearing type: ○=Ball ✖=Sleeve ●=Hypro bearing

Frame size (mm)	Model No.	Bearing System Type	Rated Voltage (VDC)	Current (A)	Power (W)	Rated Speed (rpm)	Maximum AirFlow (CMM)	Maximum AirFlow (CFM)	Maximum Pressure (InAq)	Maximum Pressure (mmAq)	*Noise Level (dB/A)	Weight (g)
25x25x06	AD0205DX-K50(TX)	●	5	0.080	0.400	7000	0.039	1.400	0.060	1.524	14.0	5.0
	AD0205LX-K50(TX)	●	5	0.100	0.500	9000	0.050	1.800	0.110	2.794	21.5	
	AD0205MX-K50(TX)	●	5	0.130	0.650	12000	0.067	2.400	0.185	4.699	29.0	
	AD0205HX-K50(TX)	●	5	0.150	0.750	14000	0.073	2.600	0.200	5.080	35.0	
	AD0212LX-K50(TX)	●	12	0.080	0.960	9000	0.050	1.800	0.110	2.794	21.5	
	AD0212MX-K50(TX)	●	12	0.090	1.080	12000	0.067	2.400	0.185	4.699	29.0	

Specifications subject to change without notice.



*Motor protective circuit and third lead wire functions

0	1	2	3	4	6	7	8	9	A	B
✓					✓					

*Safety approvals

✓	✓			✓

Mouser Electronics

Authorized Distributor

Click to View Pricing, Inventory, Delivery & Lifecycle Information:

ADDA:

[AD0205MB-K53\(S\)-LF](#) [AD0212MX-K50-LF](#) [AD0205MB-K53\(S\)-LF](#) [AD0212MB-G50\(GL\)](#) [AD0205MX-K50\(TX\)](#)
[AD0205HX-K50\(TX\)](#) [AD0205MB-G53\(GLT\)](#) [AD0205MX-G50\(GLX\)](#) [AD0212MB-G50\(GLT\)](#) [AD0205LX-G50\(GLX\)](#)