

PRODUCT NUMBER
57202-XXX-XXXXXLF

PLATING
S = 0.38µm GOLD/GXT ON CONTACT AREA
3.81µm TIN LEAD ON TAIL
G = 0.76µm GOLD/GXT ON CONTACT AREA
3.81µm TIN LEAD ON TAIL
F = GOLD FLASH ON CONTACT AREA
3.81µm TIN LEAD ON TAIL

WHEN "LF" IS REQUIRED, 2µm MIN MATTE TIN OVER 1.27µm MIN NICKEL INSTEAD OF TIN-LEAD

WHEN REQUIRED, ADD SUFFIX LETTER "LF" INDICATES THE PRODUCT IS ROHS COMPATIBLE SEE NOTE 7

POLARIZATION, SEE NOTE 6

PACKAGING, SEE NOTE 5

NB OF POS PER ROW : 02 TO 25

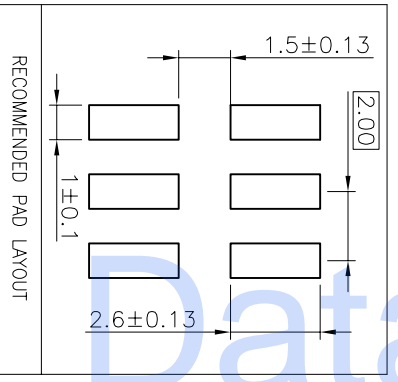
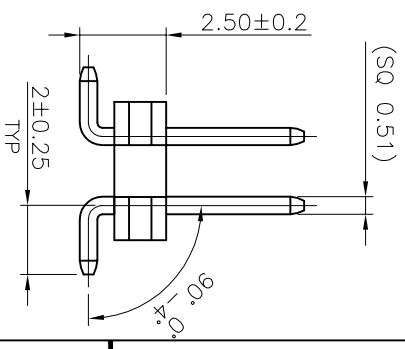
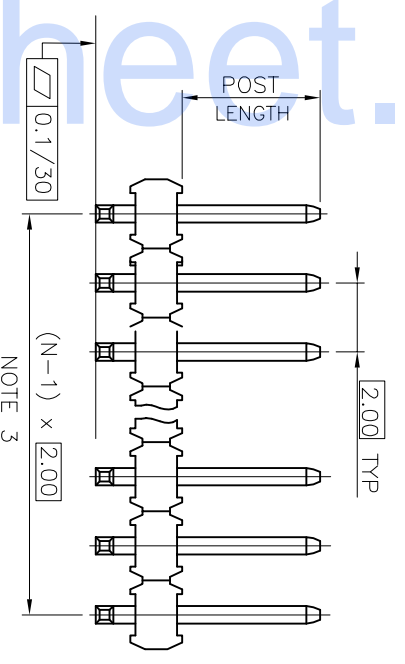
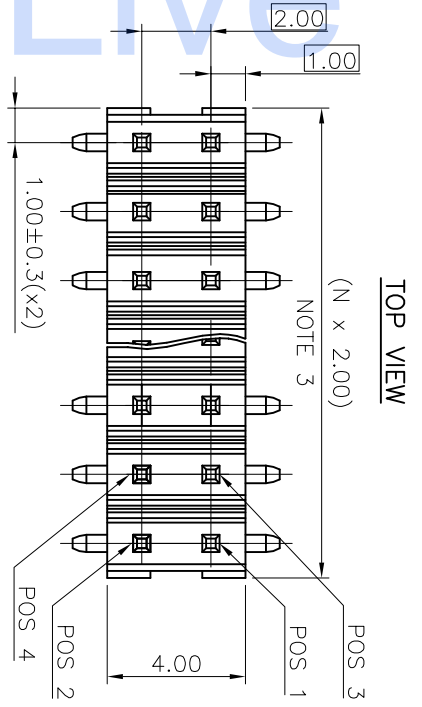
STYLE	POST LENGTH ±0.2
51	2.00
52	4.00
53	3.50

NOTES:

- MATERIAL HOUSING: HIGH TEMP. THERMOPLASTIC
UL 94V-0, COLOR BLACK
- MATERIAL TERMINAL: COPPER ALLOY
- TO DETERMINE DIMENSIONS:
N = NUMBER OF POSITIONS PER ROW.
- 7N MIN. PIN RETENTION IN EITHER DIRECTION.
- PACKAGING:
= PLASTIC BOX.
- = PLASTIC BOX WHEN POLARISATION FEATURE APPLICABLE.
U = TUBE AVAILABLE FROM 04 TO 25 POS PER ROW.
A = TAPE AND REEL WITH PICK UP CAP INSTALLED IN THE CENTER OF THE PRODUCT FOR PICK AND PLACE SEE TA 884 FOR PRODUCT AVAILABILITY.
K = TAPE AND REEL WITHOUT CAP, SEE TA884 FOR AVAILABILITY.
- FOR POLARIZATION, SPECIFY POSITION NUMBER TO OMIT PIN.
EXAMPLE : 03 = OMIT PIN POSITION 3, SEE TOP VIEW.
OMIT FROM PRODUCT NUMBER IF THIS FEATURE IS NOT APPLICABLE.
- ROHS COMPATIBLE PRODUCT SPECIFICATIONS

7. ROHS COMPATIBLE PRODUCT SPECIFICATIONS

- a - PLATING:
- "LF" MEANS THE PRODUCT IS LEAD-FREE, 2µm MINIMUM MATTE TIN OVER 1.27µm MINIMUM NICKEL UNDERPLATE.
- b - MANUFACTURING PROCESS COMPATIBILITY
- THE HOUSING WILL WITHSTAND EXPOSURE TO 260°C PEAK TEMPERATURE FOR 30 SECONDS IN A CONVECTION, INFRA-RED OR VAPOR PHASE REFLOW OVEN.
- c - LABELLING:
- MEETS PACKAGING SPECS AS PER GS-14-9220
- d - LEGAL STATEMENT : SEE GS-22-008



CAP DIMS FOR 2x3 POS UP TO 2x25 POS		CAP DIMS FOR 2x2 POS	
	8.00		7.00
CAP DIMS FOR 2x3 POS UP TO 2x25 POS		CAP DIMS FOR 2x2 POS	
	5.00		4.00

UNSH HEADER		CUSTOMER Drawing	
2.00 mm VERTICAL SMT		57202	
sheet 1 of 1 size A3		CUSTOMER Drawing	

mat'l. code	surface	tolerance	projection
ISO 1302	ISO 406	ISO 101	

ltr	ec'n no	dr	date	surface	tolerance	projection
L	F09-0087	JCO	09.09.04	ISO 1302	ISO 406	ISO 101

ltr	ec'n no	dr	date	surface	tolerance	projection
F	F04-0378	LMU	04.11.26	ISO 1302	ISO 406	ISO 101
G	F05-0124	LMU	05.02.07	ISO 1302	ISO 406	ISO 101
H	F06-0210	LMU	06.07.04	ISO 1302	ISO 406	ISO 101
J	F06-0327	LMU	07.01.03	ISO 1302	ISO 406	ISO 101
K	F08-0145	EIA	17.04.08	ISO 1302	ISO 406	ISO 101

sheet	revision	sheet	revision