

DESCRIPTION: POWER / SIGNAL - SOLDER CUP - MALE - MACHINED

SPECIFICATIONS:

ELECTRICAL:

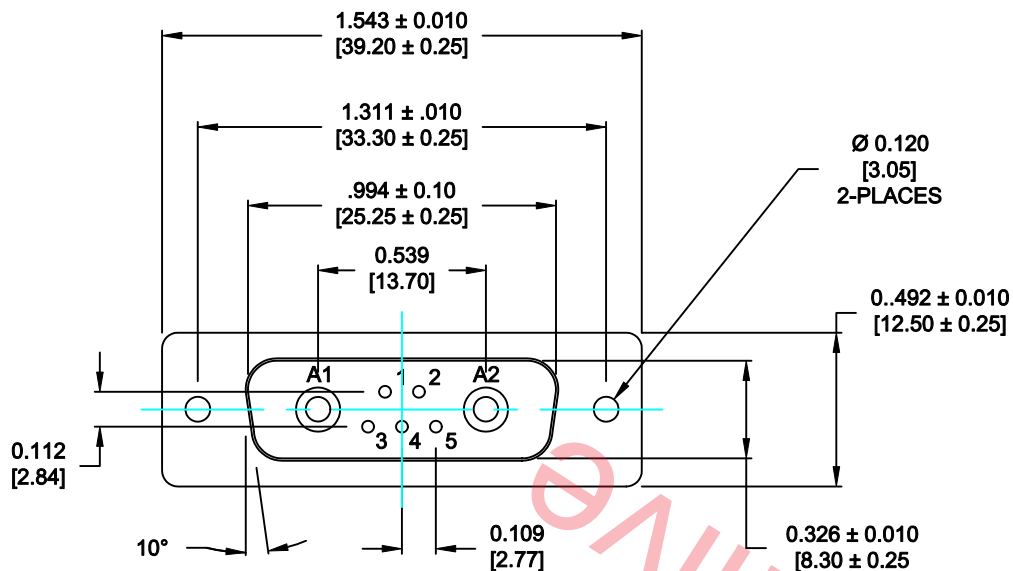
INSULATOR RESISTANCE: 5 G OHMS Min.
 DIELECTRIC WITHSTANDING: 1,000VAC r.m.s.
 OPERATING TEMPERATURE: -55° C ~ +155° C
 POWER CONTACT RESISTANCE: 1.0 Milliohms Max.
 SIGNAL CONTACT RESISTANCE: 2.7 Milliohms Max.
 POWER PINS: SEE PART No. BELOW
 SIGNAL PINS: 5 AMPS

MECHANICAL:

CONTACT INSERTION FORCE: 4.5 Kg Max.
 CONTACT SEPARATOR FORCE: 0.3Kg Min.

MATERIALS:

CONTACTS: COPPER ALLOY
 INSULATOR: PBT UL94V-0 RATED, BLK
 230°C PROCESS TEMP.
 SHELL: STEEL
 SEAL: F08 FLEXIBLE ADHESIVE
 FINISH: NICKEL
 SHELL: FULL GOLD FLASH
 CONTACTS: FULL GOLD FLASH

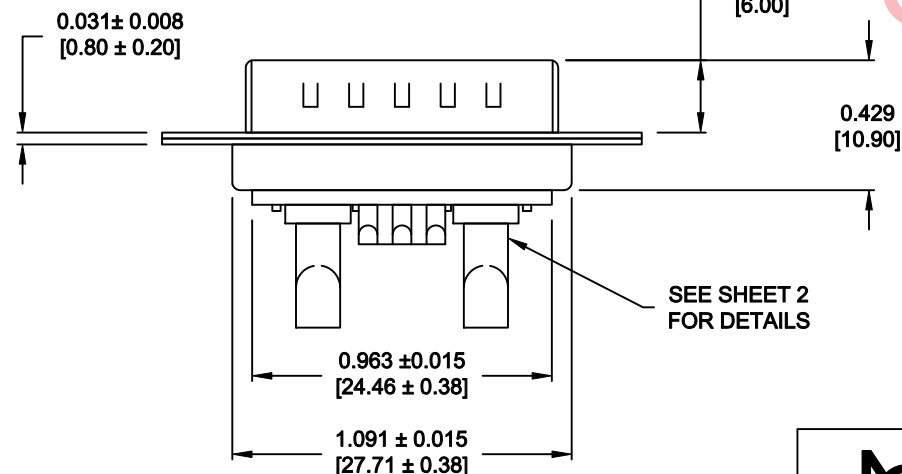


680S7W2103LYY1



20 = 20 AMPS
 40 = 40 AMPS

MEETS IP67 STANDARDS

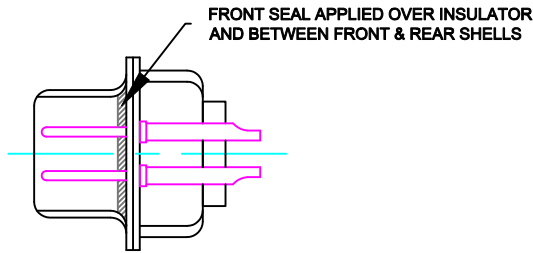
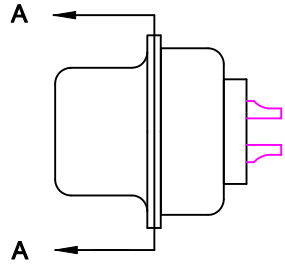
(SEE PAGE 2 FOR SEALING DETAILS)



RoHS COMPLIANT

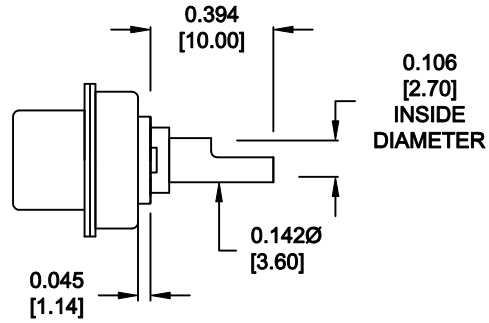
	THESE DRAWINGS AND SPECIFICATIONS ARE THE PROPERTY OF NorComp AND SHALL NOT BE REPRODUCED, COPIED OR USED AS THE BASIS FOR THE MANUFACTURE OF SALE OF APPARATUS WITHOUT WRITTEN PERMISSION.		DRAWN: P. JENKINS	DATE: 09-13-11
			CHECKED: X	DATE: X
		SCALE: N.T.S.	SHEET OF 1 2	REV 0
		DWG NO. 680S7W2103LYY1		

DESCRIPTION: 680 SERIES CONTACTS

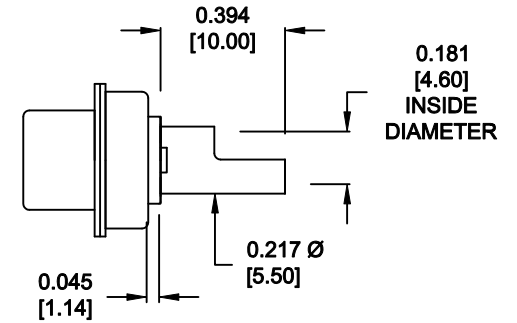


DETAIL A-A
SHOWN FOR REFERENCE ONLY

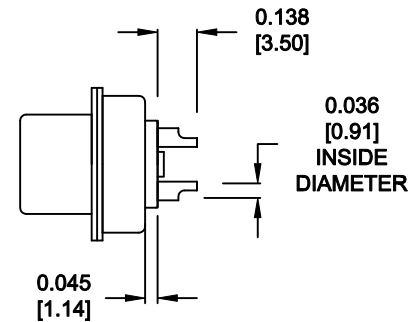
NOTE: SIGNAL AND POWER CONTACTS
COME PRE-LOADED INTO INSULATORS



20 AMP POWER CONTACTS
ACCEPTS UP TO 12 AWG WIRE



40 AMP POWER CONTACTS
ACCEPTS UP TO 8 AWG WIRE



SIGNAL CONTACTS
ACCEPTS UP TO 20 AWG WIRE

RoHS COMPLIANT



THESE DRAWINGS AND SPECIFICATIONS ARE THE PROPERTY OF NorComp AND SHALL NOT BE REPRODUCED, COPIED OR USED AS THE BASIS FOR THE MANUFACTURE OF SALE OF APPARATUS WITHOUT WRITTEN PERMISSION.

NorComp

DRAWN: P. JENKINS		DATE: 09-13-11	
CHECKED: X		DATE: X	
SCALE: N.T.S.	SHEET 2	OF 2	REV 0
DWG NO. 680M7W2103LYY1			