

FEATURES AND SPECIFICATIONS

Features and Benefits

- Intermateable, intermountable and interchangeable with industry-standard versions
- Cross tested to assure industry compatibility
- Positive locks
- Fully isolated contacts
- Circuit ID grooves to reduce assembly errors
- Anti-stress positioning tabs to reduce breakage

Reference Information

Product Specification: PS-42022-0001
 Packaging: Bag
 UL File No.: E29179
 CSA File No.: LR19980
 Designed In: Inches

Electrical

Voltage: 600V
 Current:

Circuit	1	2	3	4	6	9	12	15
Amperes	13.5	13.5	13.5	13.5	11.0	11.0	11.0	11.0

Dielectric Withstanding Voltage: 2900V (Header),
 5000V (Wire-To-Wire)
 Insulation Resistance: 1000 MΩ min.

Mechanical

Contact Retention to Housing: 66.88N (15 lb)

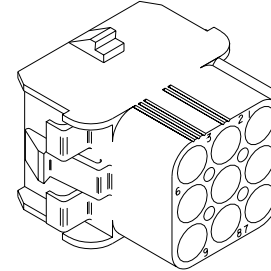
Physical

Cap Housing: Nylon, 94V-2 or 94V-0
 Operating Temperature: -55 to +105°C

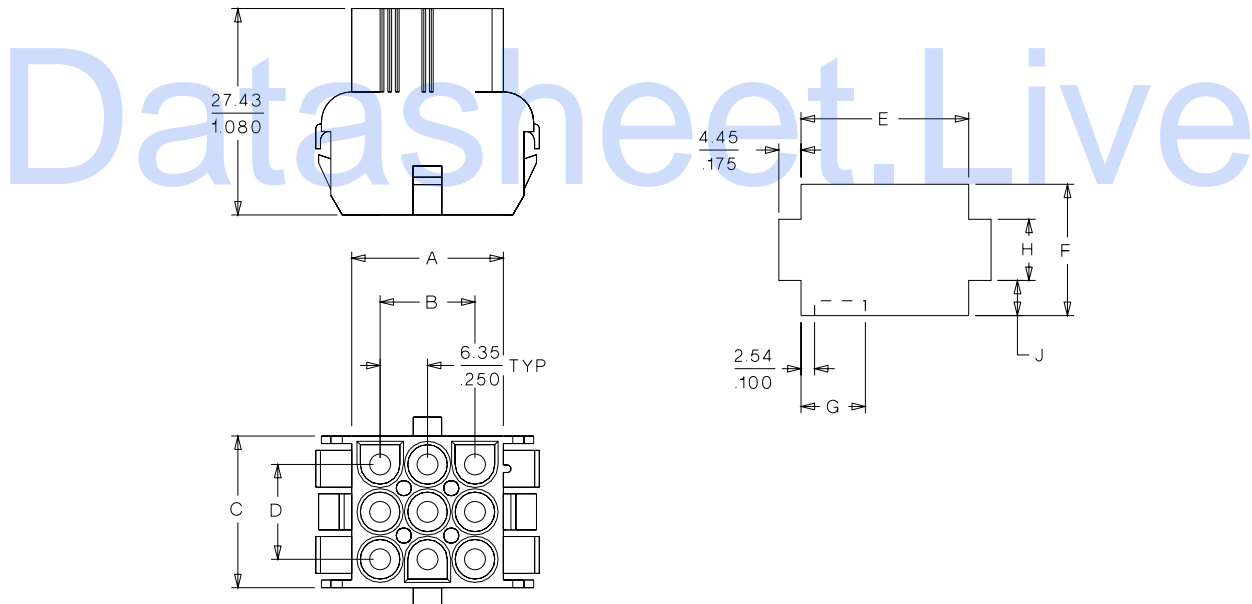


2.13mm (.084") Diameter MLX Pin and Socket Receptacle

42022



CATALOG DRAWING (FOR REFERENCE ONLY)

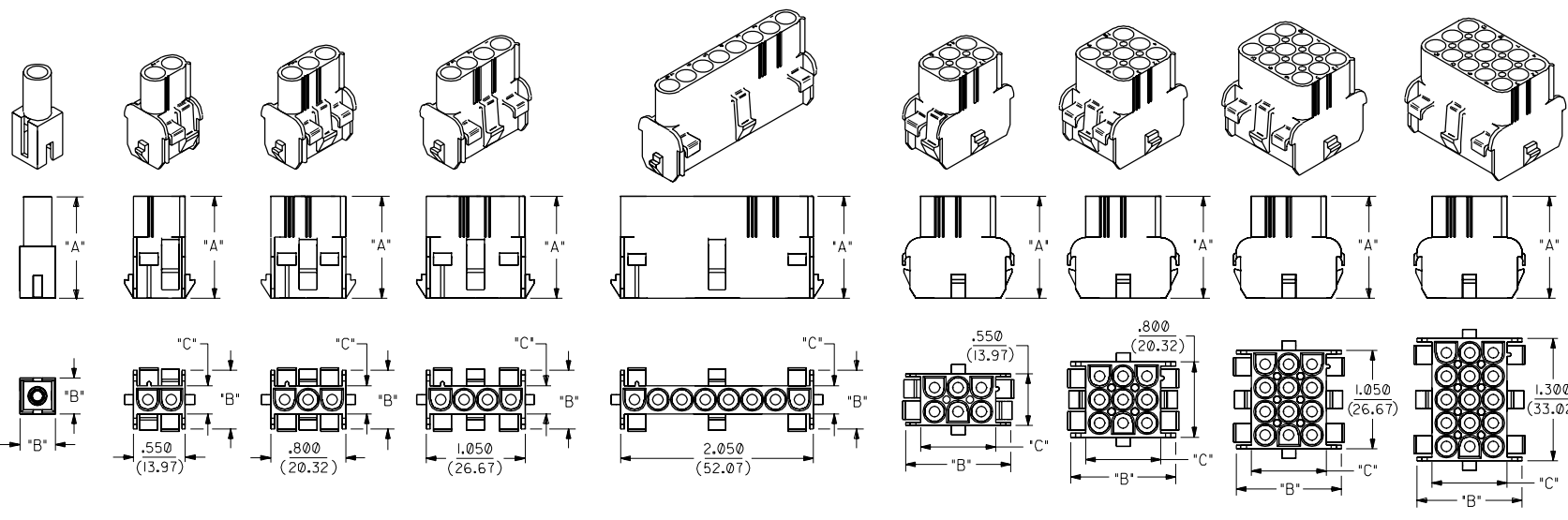


ORDERING INFORMATION AND DIMENSIONS

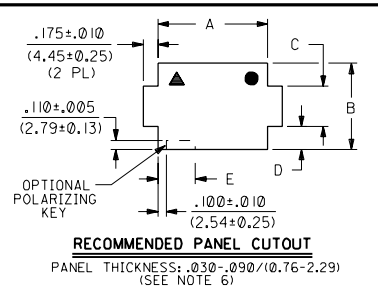
Circuits	Order No.			Dimension								
	94V-2 (White)	94V-0 (Brick Red)	94V-0 (White)	A	B	C	D	E	F	G	H	J
1	50-84-2010	50-84-2011	50-84-2012	9.65 (.380)		9.65 (.380)						
2	• 50-84-2020	• 50-84-2021	50-84-2022	7.62 (.300)		13.97 (.550)	6.35 (.250)	14.35 (.565)	13.46 (.530)	6.35 (.250)	8.64 (.340)	2.41 (.095)
3	• 50-84-2030	• 50-84-2031	50-84-2032	7.62 (.300)		20.32 (.800)	12.70 (.500)	20.70 (.815)	13.46 (.530)	6.35 (.250)	8.64 (.340)	2.41 (.095)
4	• 50-84-2040	• 50-84-2041	50-84-2042	7.62 (.300)		26.67 (1.050)	19.05 (.750)	27.05 (1.065)	13.46 (.530)	6.35 (.250)	8.64 (.340)	2.41 (.095)
6	• 50-84-2060	• 50-84-2061	50-84-2062	20.32 (.800)	12.70 (.500)	13.97 (.550)	6.35 (.250)	14.35 (.565)	26.16 (1.030)	6.35 (.250)	12.19 (.480)	6.99 (.275)
9	• 50-84-2090	• 50-84-2091	50-84-2092	20.32 (.800)	12.70 (.500)	20.32 (.800)	12.70 (.500)	20.70 (.815)	26.16 (1.030)	6.35 (.250)	12.19 (.480)	6.99 (.275)
12	50-84-2120	50-84-2121	50-84-2122	20.32 (.800)	12.70 (.500)	26.67 (1.050)	19.05 (.750)	27.05 (1.065)	26.16 (1.030)	8.89 (.350)	12.19 (.480)	6.99 (.275)
15	50-84-2150	50-84-2151	50-84-2152	20.32 (.800)	12.70 (.500)	33.02 (1.300)	25.40 (1.000)	33.40 (1.315)	26.16 (1.030)	8.89 (.350)	12.19 (.480)	6.99 (.275)

• US Standard Product, available through Molex franchised distributors

* Cap housing should be installed into panel in the same direction as the panel cutout is punched



PART NO.	ENG. NO.	CIRCUIT SIZE	MATERIAL (SEE NOTE 1)	DIM. "A"	DIM. "B"	DIM. "C"
050-84-2010	42022-1A	1	A	1,080 (27.43)	.380 (9.65)	---
050-84-2011	42022-1B	1	B	---	---	---
050-84-2012	42022-1C	1	C	---	---	---
050-84-2020	42022-2A	2	A	1,080 (27.43)	.620 (15.75)	.300 (7.62)
050-84-2021	42022-2B	2	B	---	---	---
050-84-2022	42022-2C	2	C	---	---	---
050-84-2030	42022-3A	3	A	1,080 (27.43)	.620 (15.75)	.300 (7.62)
050-84-2031	42022-3B	3	B	---	---	---
050-84-2032	42022-3C	3	C	---	---	---
050-84-2040	42022-4A	4	A	1,080 (27.43)	.620 (15.75)	.300 (7.62)
050-84-2041	42022-4B	4	B	---	---	---
050-84-2042	42022-4C	4	C	---	---	---
050-84-2060	42022-6A	6	A	1,080 (27.43)	1,120 (28.45)	.800 (20.32)
050-84-2061	42022-6B	6	B	---	---	---
050-84-2062	42022-6C	6	C	---	---	---
PRELIMINARY	42022-8A	8	A	1,080 (27.43)	.620 (15.75)	.300 (7.62)
PRELIMINARY	42022-8B	8	B	---	---	---
PRELIMINARY	42022-8C	8	C	---	---	---
050-84-2090	42022-9A	9	A	1,080 (27.43)	1,120 (28.45)	.800 (20.32)
050-84-2091	42022-9B	9	B	---	---	---
050-84-2092	42022-9C	9	C	---	---	---
050-84-2120	42022-12A	12	A	1,080 (27.43)	1,120 (28.45)	.800 (20.32)
050-84-2121	42022-12B	12	B	---	---	---
050-84-2122	42022-12C	12	C	---	---	---
050-84-2150	42022-15A	15	A	1,080 (27.43)	1,120 (28.45)	.800 (20.32)
050-84-2151	42022-15B	15	B	---	---	---
050-84-2152	42022-15C	15	C	---	---	---



CIRCUIT SIZE	DIMENSIONS				
	A±.005	B±.005	C±.010	D±.010	E±.010
2	.565 (14.35)	.530 (13.46)	.340 (8.64)	.095 (2.41)	.250 (6.35)
3	.815 (20.70)	.530 (13.46)	.340 (8.64)	.095 (2.41)	.250 (6.35)
4	1.065 (27.05)	.530 (13.46)	.340 (8.64)	.095 (2.41)	.250 (6.35)
6	.565 (14.35)	1.030 (26.16)	.480 (12.19)	.275 (6.99)	.250 (6.35)
8	2.065 (52.45)	.530 (13.46)	.340 (8.64)	.095 (2.41)	.250 (6.35)
9	.815 (20.70)	1.030 (26.16)	.480 (12.19)	.275 (6.99)	.250 (6.35)
12	1.065 (27.05)	1.030 (26.16)	.480 (12.19)	.275 (6.99)	.350 (8.89)
15	1.315 (33.40)	1.030 (26.16)	.480 (12.19)	.275 (6.99)	.350 (8.89)

- NOTES:**
- MATERIAL CODES:
 "A"= NYLON TYPE 6/6, 94V-2
 COLOR: NATURAL (WHITE/TRANSLUCENT)
 "B"= NYLON TYPE 6/6, 94V-0
 COLOR: (BRICK RED)
 "C"= NYLON TYPE 6/6 94V-0
 COLOR: NATURAL (WHITE)
 - UNLESS OTHERWISE INDICATED, DIMENSIONS ARE FOR REFERENCE ONLY.
 - CAP HOUSINGS MATE WITH :
 - PLUG HOUSINGS, .084/(2.13) DIA. SERIES: (42021-***)
 - HOUSINGS DESIGNED TO BE USED WITH TERMINALS:
 - PINS, .084/(2.13) DIA. SERIES: (42023-****)
 - SOCKETS, .084/(2.13) DIA. SERIES: (42024-****)
 - CONTACTS ARE ON .250/(6.35) GRID CENTERLINE SPACING.
 - PANEL TO BE PUNCHED SO THAT THE HOUSING ENTERS THE PANEL OPPOSITE THE SIDE WITH THE BURR (I.E. OPPOSITE THE BREAK SIDE).
 - PRODUCT SPECIFICATION PS-42022-0001 APPLIES.

LEGEND:
 42022-*
 BASE NUMBER * MATERIAL CODE (SEE NOTE 1)
 * CIRCUIT SIZE

▲ - CIRCUIT #1 LOCATION WHEN USING POLARIZING KEY OPTION WITH 2, 3, 4 AND 8 CIRCUIT HOUSINGS.
 ● - OPTION WITH 6, 9, 12 AND 15 CIRCUIT HOUSINGS.

MFG. SH. REV. LTR. REVISIONS

DIMENSIONS SHOWN METRIC (INCH) $\nabla = 0$ $\blacktriangledown = 0$ **REVISE ONLY ON CAD SYSTEM**

UNLESS OTHERWISE SPECIFIED TOLERANCES: ANGULAR ± 1/2°

3 PLACE	± .010	---
2 PLACE	± .014	± 0.25
1 PLACE	---	± 0.36

INCH METRIC

MOLEX INCORPORATED SHEET NO. DATE
 LISLE, ILL. 69532 U.S.A. 11/15/87

FILE NAME: SD42022X1.DWG DIV. SIZE: CP C

SEE CHART **SD-42022-*****

THIS DRAWING CONTAINS INFORMATION THAT IS PROPRIETARY TO MOLEX INC. AND SHOULD NOT BE USED WITHOUT WRITTEN PERMISSION.