

# MC78L00A Series, NCV78L00A

## 100 mA Positive Voltage Regulators

The MC78L00A Series of positive voltage regulators are inexpensive, easy-to-use devices suitable for a multitude of applications that require a regulated supply of up to 100 mA. Like their higher powered MC7800 and MC78M00 Series cousins, these regulators feature internal current limiting and thermal shutdown making them remarkably rugged. No external components are required with the MC78L00 devices in many applications.

These devices offer a substantial performance advantage over the traditional zener diode-resistor combination, as output impedance and quiescent current are substantially reduced.

### Features

- Wide Range of Available, Fixed Output Voltages
- Low Cost
- Internal Short Circuit Current Limiting
- Internal Thermal Overload Protection
- No External Components Required
- Complementary Negative Regulators Offered (MC79L00A Series)
- Pb-Free Packages are Available
- NCV Prefix for Automotive and Other Applications Requiring Site and Control Changes

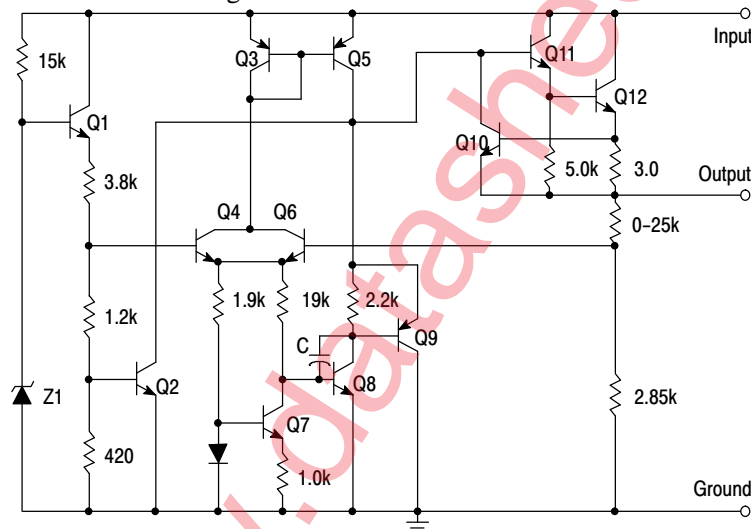


Figure 1. Representative Schematic Diagram

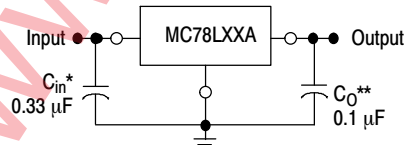


Figure 2. Standard Application

A common ground is required between the input and the output voltages. The input voltage must remain typically 2.0 V above the output voltage even during the low point on the input ripple voltage.

\*  $C_{in}$  is required if regulator is located an appreciable distance from power supply filter.

\*\*  $C_O$  is not needed for stability; however, it does improve transient response.



ON Semiconductor®

<http://onsemi.com>



STRAIGHT LEAD  
BULK PACK

TO-92  
P SUFFIX  
CASE 029



BENT LEAD  
TAPE & REEL  
AMMO PACK

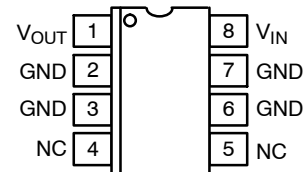
Pin: 1. Output  
2. Ground  
3. Input



SOIC-8\*  
D SUFFIX  
CASE 751

\*SOIC-8 is an internally modified SO-8 package. Pins 2, 3, 6, and 7 are electrically common to the die attach flag. This internal lead frame modification decreases package thermal resistance and increases power dissipation capability when appropriately mounted on a printed circuit board. SOIC-8 conforms to all external dimensions of the standard SO-8 package.

### PIN CONNECTIONS



(Top View)

### ORDERING INFORMATION

See detailed ordering and shipping information in the package dimensions section on page 10 of this data sheet.

### DEVICE MARKING INFORMATION

See general marking information in the device marking section on page 16 of this data sheet.

# MC78L00A Series, NCV78L00A

## ABSOLUTE MAXIMUM RATINGS

| Rating   | Symbol             | Value          | Unit |
|--|--------------------|----------------|------|
| Input Voltage (5.0 V–9.0 V)<br>(12 V–18 V)<br>(24 V) | $V_I$              | 30<br>35<br>40 | Vdc  |
| Storage Temperature Range                            | $T_{stg}$          | -65 to +150    | °C   |
| Maximum Junction Temperature                         | $T_J$              | 150            | °C   |
| Moisture Sensitivity Level                           | MSL                | 1              | –    |
| ESD Capability, Human Body Model (Note 1)            | ESD <sub>HBM</sub> | 2000           | V    |
| ESD Capability, Machine Model (Note 1)               | ESD <sub>MM</sub>  | 200            | V    |
| ESD Capability, Charged Device Model (Note 1)        | ESD <sub>CDM</sub> | 2000           | V    |

Stresses exceeding Maximum Ratings may damage the device. Maximum Ratings are stress ratings only. Functional operation above the Recommended Operating Conditions is not implied. Extended exposure to stresses above the Recommended Operating Conditions may affect device reliability.

- This device series incorporates ESD protection and is tested by the following methods:  
 ESD Human Body Model tested per AEC-Q100-002 (EIA/JESD22-A114)  
 ESD Machine Model tested per AEC-Q100-003 (EIA/JESD22-A115)  
 ESD Charged Device Model tested per EIA/JES D22/C101, Field Induced Charge Model.

## THERMAL CHARACTERISTICS

| Rating  | Symbol          | Value              | Unit |
|---|-----------------|--------------------|------|
| Package Dissipation   | PD              | Internally Limited | W    |
| Thermal Characteristics, TO-92<br>Thermal Resistance, Junction-to-Ambient | $R_{\theta JA}$ | 200                | °C/W |
| Thermal Characteristics, SOIC8<br>Thermal Resistance, Junction-to-Ambient | $R_{\theta JA}$ | Refer to Figure 8  | °C/W |

- Thermal Resistance, Junction-to-Ambient depends on P.C.B. Copper area. See details in Figure 8.

**Thermal Resistance, Junction-to-Case** is not defined. SOIC 8 lead and TO-92 packages that do not have a heat sink like other packages may have. This is the reason that a Theta JC is never specified. A little heat transfer will occur through the package but since it is plastic, it is minimal. The majority of the heat that is transferred is through the leads where they connect to the circuit board.

## MC78L00A Series, NCV78L00A

**ELECTRICAL CHARACTERISTICS** ( $V_I = 10\text{ V}$ ,  $I_O = 40\text{ mA}$ ,  $C_I = 0.33\text{ }\mu\text{F}$ ,  $C_O = 0.1\text{ }\mu\text{F}$ ,  $-40^\circ\text{C} < T_J < +125^\circ\text{C}$  (for MC78LXXAB, NCV78L05A),  $0^\circ\text{C} < T_J < +125^\circ\text{C}$  (for MC78LXXAC), unless otherwise noted.)

| Characteristics   | Symbol                     | MC78L05AC, AB, NCV78L05A |           |              | Unit          |
|---|----------------------------|--------------------------|-----------|--------------|---------------|
|   |                            | Min                      | Typ       | Max          |               |
| Output Voltage ( $T_J = +25^\circ\text{C}$ )  | $V_O$                      | 4.8                      | 5.0       | 5.2          | Vdc           |
| Line Regulation<br>( $T_J = +25^\circ\text{C}$ , $I_O = 40\text{ mA}$ )<br>$7.0\text{ Vdc} \leq V_I \leq 20\text{ Vdc}$<br>$8.0\text{ Vdc} \leq V_I \leq 20\text{ Vdc}$                 | $\text{Reg}_{\text{line}}$ | –<br>–                   | 55<br>45  | 150<br>100   | mV            |
| Load Regulation<br>( $T_J = +25^\circ\text{C}$ , $1.0\text{ mA} \leq I_O \leq 100\text{ mA}$ )<br>( $T_J = +25^\circ\text{C}$ , $1.0\text{ mA} \leq I_O \leq 40\text{ mA}$ )            | $\text{Reg}_{\text{load}}$ | –<br>–                   | 11<br>5.0 | 60<br>30     | mV            |
| Output Voltage<br>( $7.0\text{ Vdc} \leq V_I \leq 20\text{ Vdc}$ , $1.0\text{ mA} \leq I_O \leq 40\text{ mA}$ )<br>( $V_I = 10\text{ V}$ , $1.0\text{ mA} \leq I_O \leq 70\text{ mA}$ ) | $V_O$                      | 4.75<br>4.75             | –<br>–    | 5.25<br>5.25 | Vdc           |
| Input Bias Current<br>( $T_J = +25^\circ\text{C}$ )<br>( $T_J = +125^\circ\text{C}$ )   | $I_{\text{IB}}$            | –<br>–                   | 3.8<br>–  | 6.0<br>5.5   | mA            |
| Input Bias Current Change<br>( $8.0\text{ Vdc} \leq V_I \leq 20\text{ Vdc}$ )<br>( $1.0\text{ mA} \leq I_O \leq 40\text{ mA}$ )   | $\Delta I_{\text{IB}}$     | –<br>–                   | –<br>–    | 1.5<br>0.1   | mA            |
| Output Noise Voltage<br>( $T_A = +25^\circ\text{C}$ , $10\text{ Hz} \leq f \leq 100\text{ kHz}$ )   | $V_n$                      | –                        | 40        | –            | $\mu\text{V}$ |
| Ripple Rejection ( $I_O = 40\text{ mA}$ ,<br>$f = 120\text{ Hz}$ , $8.0\text{ Vdc} \leq V_I \leq 18\text{ V}$ , $T_J = +25^\circ\text{C}$ )   | RR                         | 41                       | 49        | –            | dB            |
| Dropout Voltage ( $T_J = +25^\circ\text{C}$ )   | $V_I - V_O$                | –                        | 1.7       | –            | Vdc           |

NOTE: NCV78L05A:  $T_{\text{low}} = -40^\circ\text{C}$ ,  $T_{\text{high}} = +125^\circ\text{C}$ . Guaranteed by design. NCV prefix is for automotive and other applications requiring site and change control.

## MC78L00A Series, NCV78L00A

**ELECTRICAL CHARACTERISTICS** ( $V_I = 14\text{ V}$ ,  $I_O = 40\text{ mA}$ ,  $C_I = 0.33\text{ }\mu\text{F}$ ,  $C_O = 0.1\text{ }\mu\text{F}$ ,  $-40^\circ\text{C} < T_J < +125^\circ\text{C}$  (for MC78LXXAB),  $0^\circ\text{C} < T_J < +125^\circ\text{C}$  (for MC78LXXAC), unless otherwise noted.)

| Characteristics  | Symbol                     | MC78L08AC, AB |           |            | Unit          |
|--|----------------------------|---------------|-----------|------------|---------------|
|  |                            | Min           | Typ       | Max        |               |
| Output Voltage ( $T_J = +25^\circ\text{C}$ )   | $V_O$                      | 7.7           | 8.0       | 8.3        | Vdc           |
| Line Regulation<br>( $T_J = +25^\circ\text{C}$ , $I_O = 40\text{ mA}$ )<br>$10.5\text{ Vdc} \leq V_I \leq 23\text{ Vdc}$<br>$11\text{ Vdc} \leq V_I \leq 23\text{ Vdc}$                  | $\text{Reg}_{\text{line}}$ | –<br>–        | 20<br>12  | 175<br>125 | mV            |
| Load Regulation<br>( $T_J = +25^\circ\text{C}$ , $1.0\text{ mA} \leq I_O \leq 100\text{ mA}$ )<br>( $T_J = +25^\circ\text{C}$ , $1.0\text{ mA} \leq I_O \leq 40\text{ mA}$ )             | $\text{Reg}_{\text{load}}$ | –<br>–        | 15<br>8.0 | 80<br>40   | mV            |
| Output Voltage<br>( $10.5\text{ Vdc} \leq V_I \leq 23\text{ Vdc}$ , $1.0\text{ mA} \leq I_O \leq 40\text{ mA}$ )<br>( $V_I = 14\text{ V}$ , $1.0\text{ mA} \leq I_O \leq 70\text{ mA}$ ) | $V_O$                      | 7.6<br>7.6    | –<br>–    | 8.4<br>8.4 | Vdc           |
| Input Bias Current<br>( $T_J = +25^\circ\text{C}$ )<br>( $T_J = +125^\circ\text{C}$ )  | $I_{\text{IB}}$            | –<br>–        | 3.0<br>–  | 6.0<br>5.5 | mA            |
| Input Bias Current Change<br>( $11\text{ Vdc} \leq V_I \leq 23\text{ Vdc}$ )<br>( $1.0\text{ mA} \leq I_O \leq 40\text{ mA}$ )   | $\Delta I_{\text{IB}}$     | –<br>–        | –<br>–    | 1.5<br>0.1 | mA            |
| Output Noise Voltage<br>( $T_A = +25^\circ\text{C}$ , $10\text{ Hz} \leq f \leq 100\text{ kHz}$ )  | $V_n$                      | –             | 60        | –          | $\mu\text{V}$ |
| Ripple Rejection ( $I_O = 40\text{ mA}$ ,<br>$f = 120\text{ Hz}$ , $12\text{ V} \leq V_I \leq 23\text{ V}$ , $T_J = +25^\circ\text{C}$ )   | RR                         | 37            | 57        | –          | dB            |
| Dropout Voltage ( $T_J = +25^\circ\text{C}$ )  | $V_I - V_O$                | –             | 1.7       | –          | Vdc           |

**ELECTRICAL CHARACTERISTICS** ( $V_I = 15\text{ V}$ ,  $I_O = 40\text{ mA}$ ,  $C_I = 0.33\text{ }\mu\text{F}$ ,  $C_O = 0.1\text{ }\mu\text{F}$ ,  $-40^\circ\text{C} < T_J < +125^\circ\text{C}$  (for MC78LXXAB),  $0^\circ\text{C} < T_J < +125^\circ\text{C}$  (for MC78LXXAC), unless otherwise noted.)

| Characteristics  | Symbol                     | MC78L09AC, AB |           |            | Unit          |
|--|----------------------------|---------------|-----------|------------|---------------|
|  |                            | Min           | Typ       | Max        |               |
| Output Voltage ( $T_J = +25^\circ\text{C}$ )   | $V_O$                      | 8.6           | 9.0       | 9.4        | Vdc           |
| Line Regulation<br>( $T_J = +25^\circ\text{C}$ , $I_O = 40\text{ mA}$ )<br>$11.5\text{ Vdc} \leq V_I \leq 24\text{ Vdc}$<br>$12\text{ Vdc} \leq V_I \leq 24\text{ Vdc}$                  | $\text{Reg}_{\text{line}}$ | –<br>–        | 20<br>12  | 175<br>125 | mV            |
| Load Regulation<br>( $T_J = +25^\circ\text{C}$ , $1.0\text{ mA} \leq I_O \leq 100\text{ mA}$ )<br>( $T_J = +25^\circ\text{C}$ , $1.0\text{ mA} \leq I_O \leq 40\text{ mA}$ )             | $\text{Reg}_{\text{load}}$ | –<br>–        | 15<br>8.0 | 90<br>40   | mV            |
| Output Voltage<br>( $11.5\text{ Vdc} \leq V_I \leq 24\text{ Vdc}$ , $1.0\text{ mA} \leq I_O \leq 40\text{ mA}$ )<br>( $V_I = 15\text{ V}$ , $1.0\text{ mA} \leq I_O \leq 70\text{ mA}$ ) | $V_O$                      | 8.5<br>8.5    | –<br>–    | 9.5<br>9.5 | Vdc           |
| Input Bias Current<br>( $T_J = +25^\circ\text{C}$ )<br>( $T_J = +125^\circ\text{C}$ )  | $I_{\text{IB}}$            | –<br>–        | 3.0<br>–  | 6.0<br>5.5 | mA            |
| Input Bias Current Change<br>( $11\text{ Vdc} \leq V_I \leq 23\text{ Vdc}$ )<br>( $1.0\text{ mA} \leq I_O \leq 40\text{ mA}$ )   | $\Delta I_{\text{IB}}$     | –<br>–        | –<br>–    | 1.5<br>0.1 | mA            |
| Output Noise Voltage<br>( $T_A = +25^\circ\text{C}$ , $10\text{ Hz} \leq f \leq 100\text{ kHz}$ )  | $V_n$                      | –             | 60        | –          | $\mu\text{V}$ |
| Ripple Rejection ( $I_O = 40\text{ mA}$ ,<br>$f = 120\text{ Hz}$ , $13\text{ V} \leq V_I \leq 24\text{ V}$ , $T_J = +25^\circ\text{C}$ )   | RR                         | 37            | 57        | –          | dB            |
| Dropout Voltage<br>( $T_J = +25^\circ\text{C}$ )   | $V_I - V_O$                | –             | 1.7       | –          | Vdc           |

## MC78L00A Series, NCV78L00A

**ELECTRICAL CHARACTERISTICS** ( $V_I = 19\text{ V}$ ,  $I_O = 40\text{ mA}$ ,  $C_I = 0.33\text{ }\mu\text{F}$ ,  $C_O = 0.1\text{ }\mu\text{F}$ ,  $-40^\circ\text{C} < T_J < +125^\circ\text{C}$  (for MC78LXXAB),  $0^\circ\text{C} < T_J < +125^\circ\text{C}$  (for MC78LXXAC), unless otherwise noted.)

| Characteristics  | Symbol                     | MC78L12AC, AB |            |              | Unit          |
|--|----------------------------|---------------|------------|--------------|---------------|
|  |                            | Min           | Typ        | Max          |               |
| Output Voltage ( $T_J = +25^\circ\text{C}$ )   | $V_O$                      | 11.5          | 12         | 12.5         | Vdc           |
| Line Regulation<br>( $T_J = +25^\circ\text{C}$ , $I_O = 40\text{ mA}$ )<br>$14.5\text{ Vdc} \leq V_I \leq 27\text{ Vdc}$<br>$16\text{ Vdc} \leq V_I \leq 27\text{ Vdc}$                  | $\text{Reg}_{\text{line}}$ | –<br>–        | 120<br>100 | 250<br>200   | mV            |
| Load Regulation<br>( $T_J = +25^\circ\text{C}$ , $1.0\text{ mA} \leq I_O \leq 100\text{ mA}$ )<br>( $T_J = +25^\circ\text{C}$ , $1.0\text{ mA} \leq I_O \leq 40\text{ mA}$ )             | $\text{Reg}_{\text{load}}$ | –<br>–        | 20<br>10   | 100<br>50    | mV            |
| Output Voltage<br>( $14.5\text{ Vdc} \leq V_I \leq 27\text{ Vdc}$ , $1.0\text{ mA} \leq I_O \leq 40\text{ mA}$ )<br>( $V_I = 19\text{ V}$ , $1.0\text{ mA} \leq I_O \leq 70\text{ mA}$ ) | $V_O$                      | 11.4<br>11.4  | –<br>–     | 12.6<br>12.6 | Vdc           |
| Input Bias Current<br>( $T_J = +25^\circ\text{C}$ )<br>( $T_J = +125^\circ\text{C}$ )  | $I_{\text{IB}}$            | –<br>–        | 4.2<br>–   | 6.5<br>6.0   | mA            |
| Input Bias Current Change<br>( $16\text{ Vdc} \leq V_I \leq 27\text{ Vdc}$ )<br>( $1.0\text{ mA} \leq I_O \leq 40\text{ mA}$ )   | $\Delta I_{\text{IB}}$     | –<br>–        | –<br>–     | 1.5<br>0.1   | mA            |
| Output Noise Voltage<br>( $T_A = +25^\circ\text{C}$ , $10\text{ Hz} \leq f \leq 100\text{ kHz}$ )  | $V_n$                      | –             | 80         | –            | $\mu\text{V}$ |
| Ripple Rejection ( $I_O = 40\text{ mA}$ ,<br>$f = 120\text{ Hz}$ , $15\text{ V} \leq V_I \leq 25\text{ V}$ , $T_J = +25^\circ\text{C}$ )   | RR                         | 37            | 42         | –            | dB            |
| Dropout Voltage<br>( $T_J = +25^\circ\text{C}$ )   | $V_I - V_O$                | –             | 1.7        | –            | Vdc           |

**ELECTRICAL CHARACTERISTICS** ( $V_I = 23\text{ V}$ ,  $I_O = 40\text{ mA}$ ,  $C_I = 0.33\text{ }\mu\text{F}$ ,  $C_O = 0.1\text{ }\mu\text{F}$ ,  $-40^\circ\text{C} < T_J < +125^\circ\text{C}$  (for MC78LXXAB),  $0^\circ\text{C} < T_J < +125^\circ\text{C}$  (for MC78LXXAC), unless otherwise noted.)

| Characteristics  | Symbol                     | MC78L15AC, AB / NCV78L15A |            |                | Unit          |
|--|----------------------------|---------------------------|------------|----------------|---------------|
|  |                            | Min                       | Typ        | Max            |               |
| Output Voltage ( $T_J = +25^\circ\text{C}$ )   | $V_O$                      | 14.4                      | 15         | 15.6           | Vdc           |
| Line Regulation<br>( $T_J = +25^\circ\text{C}$ , $I_O = 40\text{ mA}$ )<br>$17.5\text{ Vdc} \leq V_I \leq 30\text{ Vdc}$<br>$20\text{ Vdc} \leq V_I \leq 30\text{ Vdc}$                  | $\text{Reg}_{\text{line}}$ | –<br>–                    | 130<br>110 | 300<br>250     | mV            |
| Load Regulation<br>( $T_J = +25^\circ\text{C}$ , $1.0\text{ mA} \leq I_O \leq 100\text{ mA}$ )<br>( $T_J = +25^\circ\text{C}$ , $1.0\text{ mA} \leq I_O \leq 40\text{ mA}$ )             | $\text{Reg}_{\text{load}}$ | –<br>–                    | 25<br>12   | 150<br>75      | mV            |
| Output Voltage<br>( $17.5\text{ Vdc} \leq V_I \leq 30\text{ Vdc}$ , $1.0\text{ mA} \leq I_O \leq 40\text{ mA}$ )<br>( $V_I = 23\text{ V}$ , $1.0\text{ mA} \leq I_O \leq 70\text{ mA}$ ) | $V_O$                      | 14.25<br>14.25            | –<br>–     | 15.75<br>15.75 | Vdc           |
| Input Bias Current<br>( $T_J = +25^\circ\text{C}$ )<br>( $T_J = +125^\circ\text{C}$ )  | $I_{\text{IB}}$            | –<br>–                    | 4.4<br>–   | 6.5<br>6.0     | mA            |
| Input Bias Current Change<br>( $20\text{ Vdc} \leq V_I \leq 30\text{ Vdc}$ )<br>( $1.0\text{ mA} \leq I_O \leq 40\text{ mA}$ )   | $\Delta I_{\text{IB}}$     | –<br>–                    | –<br>–     | 1.5<br>0.1     | mA            |
| Output Noise Voltage<br>( $T_A = +25^\circ\text{C}$ , $10\text{ Hz} \leq f \leq 100\text{ kHz}$ )  | $V_n$                      | –                         | 90         | –              | $\mu\text{V}$ |
| Ripple Rejection ( $I_O = 40\text{ mA}$ ,<br>$f = 120\text{ Hz}$ , $18.5\text{ V} \leq V_I \leq 28.5\text{ V}$ , $T_J = +25^\circ\text{C}$ )   | RR                         | 34                        | 39         | –              | dB            |
| Dropout Voltage<br>( $T_J = +25^\circ\text{C}$ )   | $V_I - V_O$                | –                         | 1.7        | –              | Vdc           |

## MC78L00A Series, NCV78L00A

**ELECTRICAL CHARACTERISTICS** ( $V_I = 27\text{ V}$ ,  $I_O = 40\text{ mA}$ ,  $C_I = 0.33\text{ }\mu\text{F}$ ,  $C_O = 0.1\text{ }\mu\text{F}$ ,  $0^\circ\text{C} < T_J < +125^\circ\text{C}$ , unless otherwise noted.)

| Characteristics  | Symbol                     | MC78L18AC |     |      | Unit          |
|--|----------------------------|-----------|-----|------|---------------|
|  |                            | Min       | Typ | Max  |               |
| Output Voltage ( $T_J = +25^\circ\text{C}$ )   | $V_O$                      | 17.3      | 18  | 18.7 | Vdc           |
| Line Regulation<br>( $T_J = +25^\circ\text{C}$ , $I_O = 40\text{ mA}$ )<br>$21.4\text{ Vdc} \leq V_I \leq 33\text{ Vdc}$<br>$20.7\text{ Vdc} \leq V_I \leq 33\text{ Vdc}$<br>$22\text{ Vdc} \leq V_I \leq 33\text{ Vdc}$<br>$21\text{ Vdc} \leq V_I \leq 33\text{ Vdc}$  | $\text{Reg}_{\text{line}}$ | –         | 45  | 325  | mV            |
| Load Regulation<br>( $T_J = +25^\circ\text{C}$ , $1.0\text{ mA} \leq I_O \leq 100\text{ mA}$ )<br>( $T_J = +25^\circ\text{C}$ , $1.0\text{ mA} \leq I_O \leq 40\text{ mA}$ )   | $\text{Reg}_{\text{load}}$ | –         | 30  | 170  | mV            |
| Output Voltage<br>( $21.4\text{ Vdc} \leq V_I \leq 33\text{ Vdc}$ , $1.0\text{ mA} \leq I_O \leq 40\text{ mA}$ )<br>( $20.7\text{ Vdc} \leq V_I \leq 33\text{ Vdc}$ , $1.0\text{ mA} \leq I_O \leq 40\text{ mA}$ )<br>( $V_I = 27\text{ V}$ , $1.0\text{ mA} \leq I_O \leq 70\text{ mA}$ )<br>( $V_I = 27\text{ V}$ , $1.0\text{ mA} \leq I_O \leq 70\text{ mA}$ ) | $V_O$                      | 17.1      | –   | 18.9 | Vdc           |
| Input Bias Current<br>( $T_J = +25^\circ\text{C}$ )<br>( $T_J = +125^\circ\text{C}$ )  | $I_{\text{IB}}$            | –         | 3.1 | 6.5  | mA            |
| Input Bias Current Change<br>( $22\text{ Vdc} \leq V_I \leq 33\text{ Vdc}$ )<br>( $21\text{ Vdc} \leq V_I \leq 33\text{ Vdc}$ )<br>( $1.0\text{ mA} \leq I_O \leq 40\text{ mA}$ )  | $\Delta I_{\text{IB}}$     | –         | –   | 1.5  | mA            |
| Output Noise Voltage<br>( $T_A = +25^\circ\text{C}$ , $10\text{ Hz} \leq f \leq 100\text{ kHz}$ )  | $V_n$                      | –         | 150 | –    | $\mu\text{V}$ |
| Ripple Rejection ( $I_O = 40\text{ mA}$ ,<br>$f = 120\text{ Hz}$ , $23\text{ V} \leq V_I \leq 33\text{ V}$ , $T_J = +25^\circ\text{C}$ )   | RR                         | 33        | 48  | –    | dB            |
| Dropout Voltage<br>( $T_J = +25^\circ\text{C}$ )   | $V_I - V_O$                | –         | 1.7 | –    | Vdc           |

## MC78L00A Series, NCV78L00A

**ELECTRICAL CHARACTERISTICS** ( $V_I = 33\text{ V}$ ,  $I_O = 40\text{ mA}$ ,  $C_I = 0.33\text{ }\mu\text{F}$ ,  $C_O = 0.1\text{ }\mu\text{F}$ ,  $0^\circ\text{C} < T_J < +125^\circ\text{C}$ , unless otherwise noted.)

| Characteristics  | Symbol                     | MC78L24AC |     |      | Unit          |
|--|----------------------------|-----------|-----|------|---------------|
|  |                            | Min       | Typ | Max  |               |
| Output Voltage ( $T_J = +25^\circ\text{C}$ )   | $V_O$                      | 23        | 24  | 25   | Vdc           |
| Line Regulation<br>( $T_J = +25^\circ\text{C}$ , $I_O = 40\text{ mA}$ )<br>$27.5\text{ Vdc} \leq V_I \leq 38\text{ Vdc}$<br>$28\text{ Vdc} \leq V_I \leq 80\text{ Vdc}$<br>$27\text{ Vdc} \leq V_I \leq 38\text{ Vdc}$   | $\text{Reg}_{\text{line}}$ | –         | –   | –    | mV            |
| Load Regulation<br>( $T_J = +25^\circ\text{C}$ , $1.0\text{ mA} \leq I_O \leq 100\text{ mA}$ )<br>( $T_J = +25^\circ\text{C}$ , $1.0\text{ mA} \leq I_O \leq 40\text{ mA}$ )   | $\text{Reg}_{\text{load}}$ | –         | 40  | 200  | mV            |
| Output Voltage<br>( $28\text{ Vdc} \leq V_I \leq 38\text{ Vdc}$ , $1.0\text{ mA} \leq I_O \leq 40\text{ mA}$ )<br>( $27\text{ Vdc} \leq V_I \leq 38\text{ Vdc}$ , $1.0\text{ mA} \leq I_O \leq 40\text{ mA}$ )<br>( $28\text{ Vdc} \leq V_I \leq 33\text{ Vdc}$ , $1.0\text{ mA} \leq I_O \leq 70\text{ mA}$ )<br>( $27\text{ Vdc} \leq V_I \leq 33\text{ Vdc}$ , $1.0\text{ mA} \leq I_O \leq 70\text{ mA}$ ) | $V_O$                      | 22.8      | –   | 25.2 | Vdc           |
| Input Bias Current<br>( $T_J = +25^\circ\text{C}$ )<br>( $T_J = +125^\circ\text{C}$ )  | $I_{\text{IB}}$            | –         | 3.1 | 6.5  | mA            |
| Input Bias Current Change<br>( $28\text{ Vdc} \leq V_I \leq 38\text{ Vdc}$ )<br>( $1.0\text{ mA} \leq I_O \leq 40\text{ mA}$ )   | $\Delta I_{\text{IB}}$     | –         | –   | 1.5  | mA            |
| Output Noise Voltage<br>( $T_A = +25^\circ\text{C}$ , $10\text{ Hz} \leq f \leq 100\text{ kHz}$ )  | $V_n$                      | –         | 200 | –    | $\mu\text{V}$ |
| Ripple Rejection ( $I_O = 40\text{ mA}$ ,<br>$f = 120\text{ Hz}$ , $29\text{ V} \leq V_I \leq 35\text{ V}$ , $T_J = +25^\circ\text{C}$ )   | RR                         | 31        | 45  | –    | dB            |
| Dropout Voltage<br>( $T_J = +25^\circ\text{C}$ )   | $V_I - V_O$                | –         | 1.7 | –    | Vdc           |

# MC78L00A Series, NCV78L00A

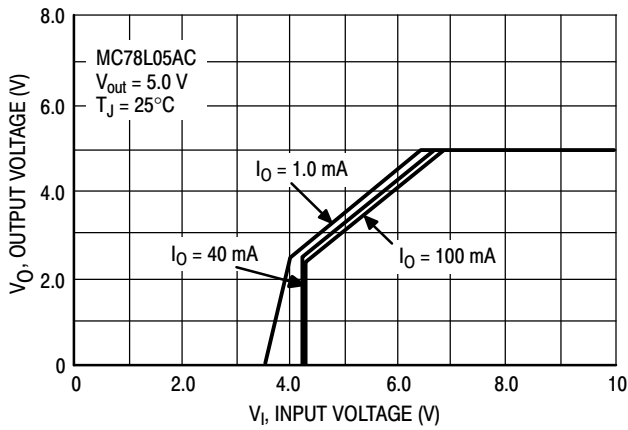


Figure 3. Dropout Characteristics



Figure 4. Dropout Voltage versus Junction Temperature

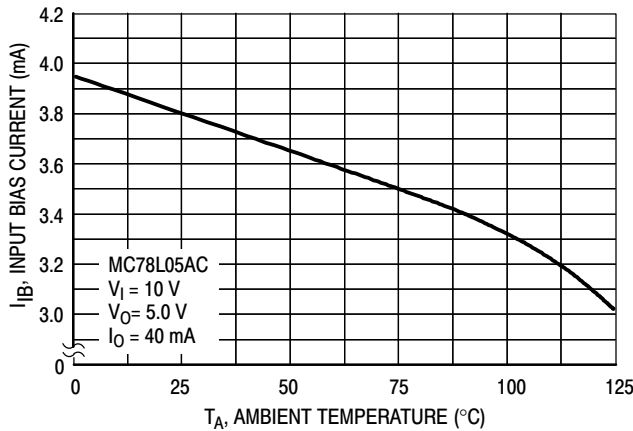


Figure 5. Input Bias Current versus Ambient Temperature

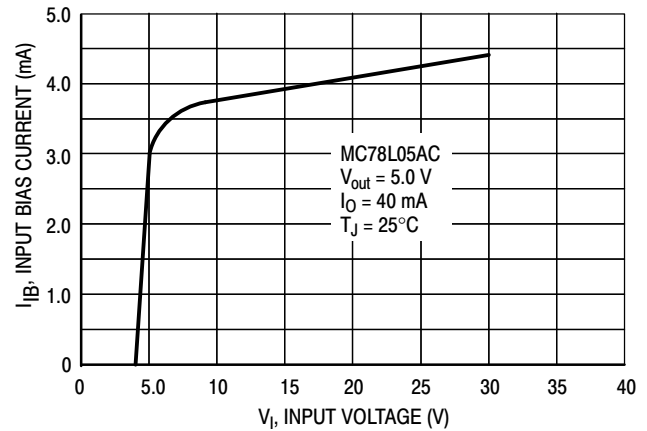


Figure 6. Input Bias Current versus Input Voltage

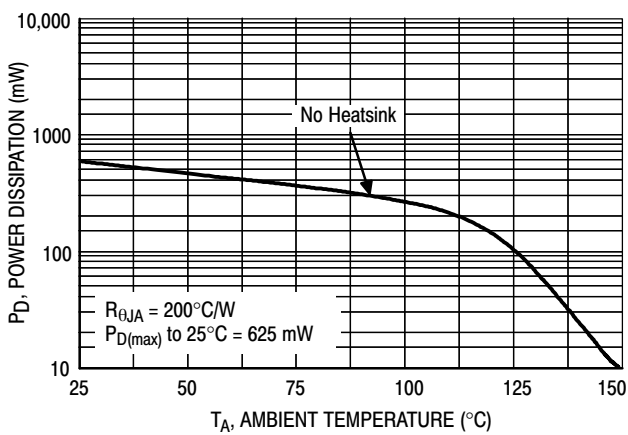


Figure 7. Maximum Average Power Dissipation versus Ambient Temperature - TO-92 Type Package

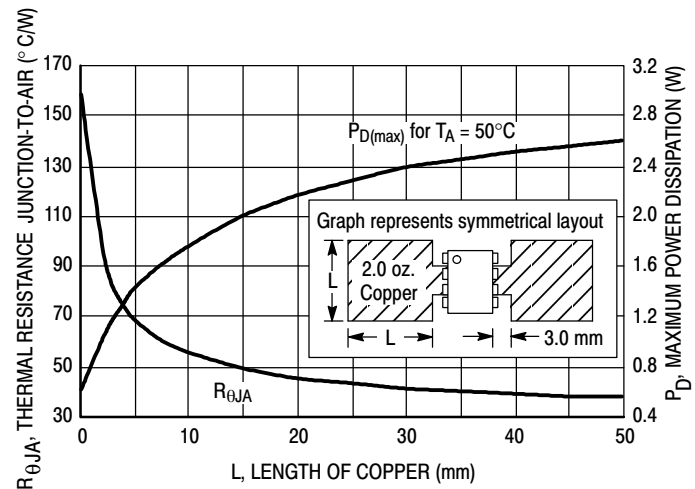


Figure 8. SOIC-8 Thermal Resistance and Maximum Power Dissipation versus P.C.B. Copper Length





# MC78L00A Series, NCV78L00A

## ORDERING INFORMATION

| Device          | Output Voltage | Operating Temperature Range                       | Package          | Shipping <sup>†</sup> |
|-----------------|----------------|---|------------------|-----------------------|
| MC78L05ABD      | 5.0 V          | $T_J = -40^\circ \text{ to } +125^\circ \text{C}$ | SOIC-8           | 98 Units/Rail         |
| MC78L05ABDG     |                |   | SOIC-8 (Pb-Free) | 98 Units/Rail         |
| NCV78L05ABDG*   |                |   | SOIC-8 (Pb-Free) | 98 Units/Rail         |
| MC78L05ABDR2    |                |   | SOIC-8           | 2500 Tape & Reel      |
| MC78L05ABDR2G   |                |   | SOIC-8 (Pb-Free) | 2500 Tape & Reel      |
| NCV78L05ABDR2*  |                |   | SOIC-8           | 2500 Tape & Reel      |
| NCV78L05ABDR2G* |                |   | SOIC-8 (Pb-Free) | 2500 Tape & Reel      |
| MC78L05ABP      |                |   | TO-92            | 2000 Units/Bag        |
| MC78L05ABPG     |                |   | TO-92 (Pb-Free)  | 2000 Units/Bag        |
| NCV78L05ABPG*   |                |   | TO-92 (Pb-Free)  | 2000 Units/Bag        |
| MC78L05ABPRA    |                |   | TO-92            | 2000 Tape & Reel      |
| MC78L05ABPRAG   |                |   | TO-92 (Pb-Free)  | 2000 Tape & Reel      |
| NCV78L05ABPRAG* |                |   | TO-92 (Pb-Free)  | 2000 Tape & Reel      |
| MC78L05ABPRE    |                |   | TO-92            | 2000 Tape & Reel      |
| MC78L05ABPREG   |                |   | TO-92 (Pb-Free)  | 2000 Tape & Reel      |
| NCV78L05ABPREG* |                |   | TO-92 (Pb-Free)  | 2000 Tape & Reel      |
| MC78L05ABPRM    |                |   | TO-92            | 2000 Ammo Pack        |
| MC78L05ABPRMG   |                |   | TO-92 (Pb-Free)  | 2000 Ammo Pack        |
| NCV78L05ABPRMG* |                |   | TO-92 (Pb-Free)  | 2000 Ammo Pack        |
| NCV78L05ABPRPG* |                |   | TO-92 (Pb-Free)  | 2000 Ammo Pack        |
| MC78L05ACD      | 5.0 V          | $T_J = 0^\circ \text{ to } +125^\circ \text{C}$   | SOIC-8           | 98 Units/Rail         |
| MC78L05ACDG     |                |   | SOIC-8 (Pb-Free) | 98 Units/Rail         |
| MC78L05ACDR2    |                |   | SOIC-8           | 2500 Tape & Reel      |
| MC78L05ACDR2G   |                |   | SOIC-8 (Pb-Free) | 2500 Tape & Reel      |
| MC78L05ACP      |                |   | TO-92            | 2000 Units/Bag        |
| MC78L05ACPG     |                |   | TO-92 (Pb-Free)  | 2000 Units/Bag        |
| MC78L05ACPRA    |                |   | TO-92            | 2000 Tape & Reel      |
| MC78L05ACPRAG   |                |   | TO-92 (Pb-Free)  | 2000 Tape & Reel      |
| MC78L05ACPRE    |                |   | TO-92            | 2000 Tape & Reel      |
| MC78L05ACPREG   |                |   | TO-92 (Pb-Free)  | 2000 Tape & Reel      |
| MC78L05ACPRM    |                |   | TO-92            | 2000 Ammo Pack        |
| MC78L05ACPRMG   |                |   | TO-92 (Pb-Free)  | 2000 Ammo Pack        |
| MC78L05ACPRP    |                |   | TO-92            | 2000 Ammo Pack        |
| MC78L05ACPRPG   |                |   | TO-92 (Pb-Free)  | 2000 Ammo Pack        |

\*NCV78L05A:  $T_{low} = -40^\circ \text{C}$ ,  $T_{high} = +125^\circ \text{C}$ . Guaranteed by design. NCV prefix is for automotive and other applications requiring site and change control.

†For information on tape and reel specifications, including part orientation and tape sizes, please refer to our Tape and Reel Packaging Specifications Brochure, BRD8011/D.

## MC78L00A Series, NCV78L00A

### ORDERING INFORMATION (continued)

| Device          | Output Voltage | Operating Temperature Range                       | Package   | Shipping <sup>†</sup> |               |
|-----------------|----------------|---|---|-----------------------|---------------|
| MC78L08ABD      | 8.0 V          | $T_J = -40^\circ \text{ to } +125^\circ \text{C}$ | SOIC-8  | 98 Units/Rail         |               |
| MC78L08ABDG     |                |   | SOIC-8 (Pb-Free)                                | 98 Units/Rail         |               |
| MC78L08ABDR2    |                |   | SOIC-8  | 2500 Tape & Reel      |               |
| MC78L08ABDR2G   |                |   | SOIC-8 (Pb-Free)                                | 2500 Tape & Reel      |               |
| NCV78L08ABDR2*  |                |   | SOIC-8  | 2500 Tape & Reel      |               |
| NCV78L08ABDR2G* |                |   | SOIC-8 (Pb-Free)                                | 2500 Tape & Reel      |               |
| MC78L08ABP      |                |   | TO-92   | 2000 Units/Bag        |               |
| MC78L08ABPG     |                |   | TO-92 (Pb-Free)                                 | 2000 Units/Bag        |               |
| MC78L08ABPRA    |                |   | TO-92   | 2000 Tape & Reel      |               |
| MC78L08ABPRAG   |                |   | TO-92 (Pb-Free)                                 | 2000 Tape & Reel      |               |
| MC78L08ABPRP    |                |   | TO-92   | 2000 Ammo Pack        |               |
| MC78L08ABPRPG   |                |   | TO-92 (Pb-Free)                                 | 2000 Ammo Pack        |               |
| MC78L08ACD      |                |   | $T_J = 0^\circ \text{ to } +125^\circ \text{C}$ | SOIC-8                | 98 Units/Rail |
| MC78L08ACDG     |                |   |   | SOIC-8 (Pb-Free)      | 98 Units/Rail |
| MC78L08ACDR2    |                | SOIC-8  |   | 2500 Tape & Reel      |               |
| MC78L08ACDR2G   |                | SOIC-8 (Pb-Free)                                  |   | 2500 Tape & Reel      |               |
| MC78L08ACP      |                | TO-92   |   | 2000 Units/Bag        |               |
| MC78L08ACPG     |                | TO-92 (Pb-Free)                                   |   | 2000 Units/Bag        |               |
| MC78L08ACPRA    |                | TO-92   |   | 2000 Tape & Reel      |               |
| MC78L08ACPRA    |                | TO-92 (Pb-Free)                                   |   | 2000 Tape & Reel      |               |
| MC78L08ACPRE    |                | TO-92   |   | 2000 Tape & Reel      |               |
| MC78L08ACPREG   |                | TO-92 (Pb-Free)                                   |   | 2000 Tape & Reel      |               |
| MC78L08ACPRP    |                | TO-92   |   | 2000 Ammo Pack        |               |
| MC78L08ACPRPG   |                | TO-92 (Pb-Free)                                   |   | 2000 Ammo Pack        |               |

## MC78L00A Series, NCV78L00A

### ORDERING INFORMATION (continued)(continued)

| Device        | Output Voltage | Operating Temperature Range                       | Package             | Shipping <sup>†</sup> |
|---------------|----------------|---|---------------------|-----------------------|
| MC78L09ABD    | 9.0 V          | $T_J = -40^\circ \text{ to } +125^\circ \text{C}$ | SOIC-8              | 98 Units/Rail         |
| MC78L09ABDG   |                |   | SOIC-8<br>(Pb-Free) | 98 Units/Rail         |
| MC78L09ABDR2  |                |   | SOIC-8              | 2500 Tape & Reel      |
| MC78L09ABDR2G |                |   | SOIC-8<br>(Pb-Free) | 2500 Tape & Reel      |
| MC78L09ABPRA  |                |   | TO-92               | 2000 Tape & Reel      |
| MC78L09ABPRAG |                |   | TO-92<br>(Pb-Free)  | 2000 Tape & Reel      |
| MC78L09ABPRP  |                |   | TO-92               | 2000 Ammo Pack        |
| MC78L09ABPRPG |                |   | TO-92<br>(Pb-Free)  | 2000 Ammo Pack        |
| MC78L09ACD    | 9.0 V          | $T_J = 0^\circ \text{ to } +125^\circ \text{C}$   | SOIC-8              | 98 Units/Rail         |
| MC78L09ACDG   |                |   | SOIC-8<br>(Pb-Free) | 98 Units/Rail         |
| MC78L09ACDR2  |                |   | SOIC-8              | 2500 Tape & Reel      |
| MC78L09ACDR2G |                |   | SOIC-8<br>(Pb-Free) | 2500 Tape & Reel      |
| MC78L09ACP    |                |   | TO-92               | 2000 Units/Bag        |
| MC78L09ACPG   |                |   | TO-92<br>(Pb-Free)  | 2000 Units/Bag        |

<sup>†</sup>For information on tape and reel specifications, including part orientation and tape sizes, please refer to our Tape and Reel Packaging Specifications Brochure, BRD8011/D.

## MC78L00A Series, NCV78L00A

### ORDERING INFORMATION (continued)

| Device          | Output Voltage  | Operating Temperature Range                       | Package          | Shipping <sup>†</sup> |
|-----------------|-----------------|---|------------------|-----------------------|
| MC78L12ABD      | 12 V            | $T_J = -40^\circ \text{ to } +125^\circ \text{C}$ | SOIC-8           | 98 Units/Rail         |
| MC78L12ABDG     |                 |   | SOIC-8 (Pb-Free) | 98 Units/Rail         |
| MC78L12ABDR2    |                 |   | SOIC-8           | 2500 Tape & Reel      |
| MC78L12ABDR2G   |                 |   | SOIC-8 (Pb-Free) | 2500 Tape & Reel      |
| NCV78L12ABDG*   |                 |   | SOIC-8 (Pb-Free) | 98 Units/Rail         |
| NCV78L12ABDR2*  |                 |   | SOIC-8           | 2500 Tape & Reel      |
| NCV78L12ABDR2G* |                 |   | SOIC-8 (Pb-Free) | 2500 Tape & Reel      |
| MC78L12ABP      |                 |   | TO-92            | 2000 Units/Bag        |
| MC78L12ABPG     |                 |   | TO-92 (Pb-Free)  | 2000 Units/Bag        |
| MC78L12ABPRP    |                 |   | TO-92            | 2000 Ammo Pack        |
| MC78L12ABPRPG   |                 |   | TO-92 (Pb-Free)  | 2000 Ammo Pack        |
| NCV78L12ABPG*   |                 |   | TO-92 (Pb-Free)  | 2000 Units/Bag        |
| MC78L12ACD      |                 | $T_J = 0^\circ \text{ to } +125^\circ \text{C}$   | SOIC-8           | 98 Units/Rail         |
| MC78L12ACDG     |                 |   | SOIC-8 (Pb-Free) | 98 Units/Rail         |
| MC78L12ACDR2    |                 |   | SOIC-8           | 2500 Tape & Reel      |
| MC78L12ACDR2G   |                 |   | SOIC-8 (Pb-Free) | 2500 Tape & Reel      |
| MC78L12ACP      |                 |   | TO-92            | 2000 Units/Bag        |
| MC78L12ACPG     |                 |   | TO-92 (Pb-Free)  | 2000 Units/Bag        |
| MC78L12ACPRA    |                 |   | TO-92            | 2000 Tape & Reel      |
| MC78L12ACPRA G  |                 |   | TO-92 (Pb-Free)  | 2000 Tape & Reel      |
| MC78L12ACPRE    | TO-92           |   | 2000 Tape & Reel |                       |
| MC78L12ACPRE G  | TO-92 (Pb-Free) |   | 2000 Tape & Reel |                       |
| MC78L12ACPRM    | TO-92           |   | 2000 Ammo Pack   |                       |
| MC78L12ACPRMG   | TO-92 (Pb-Free) |   | 2000 Ammo Pack   |                       |
| MC78L12ACPRP    | TO-92           |   | 2000 Ammo Pack   |                       |
| MC78L12ACPRPG   | TO-92 (Pb-Free) |   | 2000 Ammo Pack   |                       |

\*NCV78L12A:  $T_{low} = -40^\circ \text{C}$ ,  $T_{high} = +125^\circ \text{C}$ . Guaranteed by design. NCV prefix is for automotive and other applications requiring site and change control.  
<sup>†</sup>For information on tape and reel specifications, including part orientation and tape sizes, please refer to our Tape and Reel Packaging Specifications Brochure, BRD8011/D.

## MC78L00A Series, NCV78L00A

### ORDERING INFORMATION (continued)

| Device          | Output Voltage | Operating Temperature Range                       | Package   | Shipping <sup>†</sup> |  |
|-----------------|----------------|---|---|-----------------------|--|
| MC78L15ABD      | 15 V           | $T_J = -40^\circ \text{ to } +125^\circ \text{C}$ | SOIC-8  | 98 Units/Rail         |  |
| MC78L15ABDG     |                |   | SOIC-8 (Pb-Free)                                | 98 Units/Rail         |  |
| MC78L15ABDR2    |                |   | SOIC-8  | 2500 Tape & Reel      |  |
| MC78L15ABDR2G   |                |   | SOIC-8 (Pb-Free)                                | 2500 Tape & Reel      |  |
| NCV78L15ABDR2G* |                |   | SOIC-8 (Pb-Free)                                | 2500 Tape & Reel      |  |
| MC78L15ABP      |                |   | TO-92   | 2000 Units/Bag        |  |
| MC78L15ABPG     |                |   | TO-92 (Pb-Free)                                 | 2000 Units/Bag        |  |
| MC78L15ABPRA    |                |   | TO-92   | 2000 Tape & Reel      |  |
| MC78L15ABPRAG   |                |   | TO-92 (Pb-Free)                                 | 2000 Tape & Reel      |  |
| MC78L15ABPRP    |                |   | TO-92   | 2000 Ammo Pack        |  |
| MC78L15ABPRPG   |                |   | TO-92 (Pb-Free)                                 | 2000 Ammo Pack        |  |
| MC78L15ACD      |                |   | SOIC-8  | 98 Units/Rail         |  |
| MC78L15ACDG     |                | SOIC-8 (Pb-Free)                                  | 98 Units/Rail                                   |                       |  |
| MC78L15ACDR2    |                | SOIC-8  | 2500 Tape & Reel                                |                       |  |
| MC78L15ACDR2G   |                | SOIC-8 (Pb-Free)                                  | 2500 Tape & Reel                                |                       |  |
| MC78L15ACP      |                | TO-92   | 2000 Units/Bag                                  |                       |  |
| MC78L15ACPG     |                | TO-92 (Pb-Free)                                   | 2000 Units/Bag                                  |                       |  |
| MC78L15ACPRA    |                | TO-92   | 2000 Tape & Reel                                |                       |  |
| MC78L15ACPRAG   |                | TO-92 (Pb-Free)                                   | 2000 Tape & Reel                                |                       |  |
| MC78L15ACPRP    |                | TO-92   | 2000 Ammo Pack                                  |                       |  |
| MC78L15ACPRPG   |                | TO-92 (Pb-Free)                                   | 2000 Ammo Pack                                  |                       |  |
|                 |                |   | $T_J = 0^\circ \text{ to } +125^\circ \text{C}$ |                       |  |

\*NCV78L15A:  $T_{low} = -40^\circ \text{C}$ ,  $T_{high} = +125^\circ \text{C}$ . Guaranteed by design. NCV prefix is for automotive and other applications requiring site and change control.

†For information on tape and reel specifications, including part orientation and tape sizes, please refer to our Tape and Reel Packaging Specifications Brochure, BRD8011/D.

## MC78L00A Series, NCV78L00A

### ORDERING INFORMATION (continued)

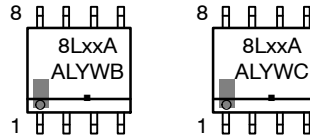
| Device          | Output Voltage                                  | Operating Temperature Range                       | Package         | Shipping†   |
|-----------------|---|---|-----------------|---|
| MC78L18ABP      | 18 V  | $T_J = -40^\circ \text{ to } +125^\circ \text{C}$ | TO-92           | 2000 Units/Bag                                    |
| MC78L18ABPG     |   |   | TO-92 (Pb-Free) | 2000 Units/Bag                                    |
| MC78L18ACP      |   | $T_J = 0^\circ \text{ to } +125^\circ \text{C}$   | TO-92           | 2000 Units/Bag                                    |
| MC78L18ACPG     |   |   | TO-92 (Pb-Free) | 2000 Units/Bag                                    |
| MC78L18ACPRA    |   |   | TO-92           | 2000 Tape & Reel                                  |
| MC78L18ACPRA    |   |   | TO-92 (Pb-Free) | 2000 Tape & Reel                                  |
| MC78L18ACPRM    |   |   | TO-92           | 2000 Ammo Pack                                    |
| MC78L18ACPRMG   |   |   | TO-92 (Pb-Free) | 2000 Ammo Pack                                    |
| MC78L18ACPRP    |   |   | TO-92           | 2000 Ammo Pack                                    |
| MC78L18ACPRPG   |   |   | TO-92 (Pb-Free) | 2000 Ammo Pack                                    |
| MC78L24ABP      |   |   | 24 V            | $T_J = -40^\circ \text{ to } +125^\circ \text{C}$ |
| MC78L24ABPG     | TO-92 (Pb-Free)                                 | 2000 Units/Bag                                    |                 |   |
| NCV78L24ABPRPG* | TO-92 (Pb-Free)                                 | 2000 Units/Bag                                    |                 |   |
| MC78L24ACP      | $T_J = 0^\circ \text{ to } +125^\circ \text{C}$ | TO-92   |                 | 2000 Units/Bag                                    |
| MC78L24ACPG     |   | TO-92 (Pb-Free)                                   |                 | 2000 Units/Bag                                    |
| MC78L24ACPRA    |   | TO-92   |                 | 2000 Tape & Reel                                  |
| MC78L24ACPRA    |   | TO-92 (Pb-Free)                                   |                 | 2000 Tape & Reel                                  |
| MC78L24ACPRP    |   | TO-92   |                 | 2000 Ammo Pack                                    |
| MC78L24ACPRPG   |   | TO-92 (Pb-Free)                                   |                 | 2000 Ammo Pack                                    |

†For information on tape and reel specifications, including part orientation and tape sizes, please refer to our Tape and Reel Packaging Specifications Brochure, BRD8011/D.

# MC78L00A Series, NCV78L00A

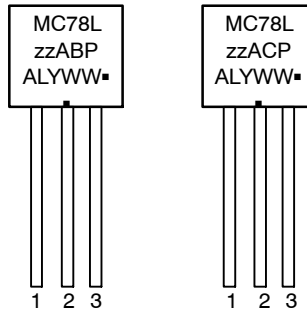
## MARKING DIAGRAMS

### SOIC-8 D SUFFIX CASE 751



- xx = 05, 08, 09, 12, or 15
- A = Assembly Location
- L = Wafer Lot
- Y = Year
- W = Work Week
- B, C = Temperature Range
- = Pb-Free Package

### TO-92 P SUFFIX CASE 029



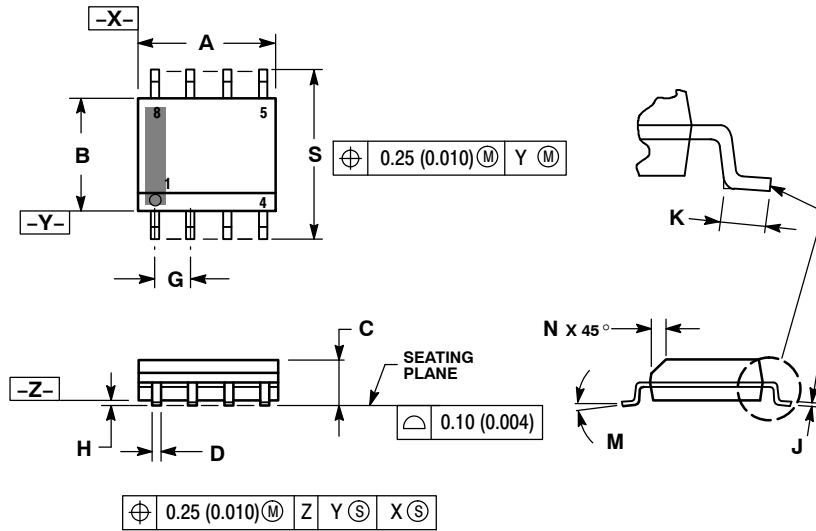
- zz = 05, 08, 09, 12, 15, 18 or 24
  - A = Assembly Location
  - L = Wafer Lot
  - Y = Year
  - WW = Work Week
  - = Pb-Free Package
- (Note: Microdot may be in either location)



# MC78L00A Series, NCV78L00A

## PACKAGE DIMENSIONS

SOIC-8 NB  
D SUFFIX  
CASE 751-07  
ISSUE AJ



**NOTES:**

1. DIMENSIONING AND TOLERANCING PER ANSI Y14.5M, 1982.
2. CONTROLLING DIMENSION: MILLIMETER.
3. DIMENSION A AND B DO NOT INCLUDE MOLD PROTRUSION.
4. MAXIMUM MOLD PROTRUSION 0.15 (0.006) PER SIDE.
5. DIMENSION D DOES NOT INCLUDE DAMBAR PROTRUSION. ALLOWABLE DAMBAR PROTRUSION SHALL BE 0.127 (0.005) TOTAL IN EXCESS OF THE D DIMENSION AT MAXIMUM MATERIAL CONDITION.
6. 751-01 THRU 751-06 ARE OBSOLETE. NEW STANDARD IS 751-07.

| DIM | MILLIMETERS |      | INCHES    |       |
|-----|-------------|------|-----------|-------|
|     | MIN         | MAX  | MIN       | MAX   |
| A   | 4.80        | 5.00 | 0.189     | 0.197 |
| B   | 3.80        | 4.00 | 0.150     | 0.157 |
| C   | 1.35        | 1.75 | 0.053     | 0.069 |
| D   | 0.33        | 0.51 | 0.013     | 0.020 |
| G   | 1.27 BSC    |      | 0.050 BSC |       |
| H   | 0.10        | 0.25 | 0.004     | 0.010 |
| J   | 0.19        | 0.25 | 0.007     | 0.010 |
| K   | 0.40        | 1.27 | 0.016     | 0.050 |
| M   | 0 °         | 8 °  | 0 °       | 8 °   |
| N   | 0.25        | 0.50 | 0.010     | 0.020 |
| S   | 5.80        | 6.20 | 0.228     | 0.244 |

### SOLDERING FOOTPRINT\*



SCALE 6:1 ( $\frac{\text{mm}}{\text{inches}}$ )

\*For additional information on our Pb-Free strategy and soldering details, please download the ON Semiconductor Soldering and Mounting Techniques Reference Manual, SOLDERRM/D.

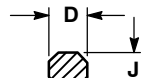
# MC78L00A Series, NCV78L00A

## PACKAGE DIMENSIONS

TO-92 (TO-226)  
P SUFFIX  
CASE 29-11  
ISSUE AM



STRAIGHT LEAD  
BULK PACK

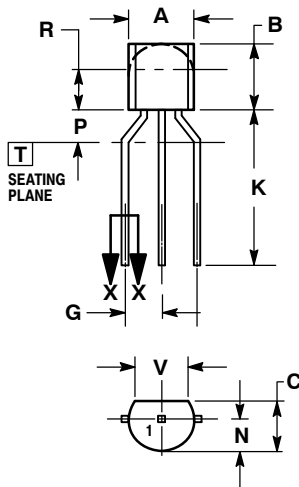


SECTION X-X

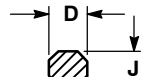
NOTES:

1. DIMENSIONING AND TOLERANCING PER ANSI Y14.5M, 1982.
2. CONTROLLING DIMENSION: INCH.
3. CONTOUR OF PACKAGE BEYOND DIMENSION R IS UNCONTROLLED.
4. LEAD DIMENSION IS UNCONTROLLED IN P AND BEYOND DIMENSION K MINIMUM.

| DIM | INCHES |       | MILLIMETERS |       |
|-----|--------|-------|-------------|-------|
|     | MIN    | MAX   | MIN         | MAX   |
| A   | 0.175  | 0.205 | 4.45        | 5.20  |
| B   | 0.170  | 0.210 | 4.32        | 5.33  |
| C   | 0.125  | 0.165 | 3.18        | 4.19  |
| D   | 0.016  | 0.021 | 0.407       | 0.533 |
| G   | 0.045  | 0.055 | 1.15        | 1.39  |
| H   | 0.095  | 0.105 | 2.42        | 2.66  |
| J   | 0.015  | 0.020 | 0.39        | 0.50  |
| K   | 0.500  | ---   | 12.70       | ---   |
| L   | 0.250  | ---   | 6.35        | ---   |
| N   | 0.080  | 0.105 | 2.04        | 2.66  |
| P   | ---    | 0.100 | ---         | 2.54  |
| R   | 0.115  | ---   | 2.93        | ---   |
| V   | 0.135  | ---   | 3.43        | ---   |



BENT LEAD  
TAPE & REEL  
AMMO PACK



SECTION X-X

NOTES:

1. DIMENSIONING AND TOLERANCING PER ASME Y14.5M, 1994.
2. CONTROLLING DIMENSION: MILLIMETERS.
3. CONTOUR OF PACKAGE BEYOND DIMENSION R IS UNCONTROLLED.
4. LEAD DIMENSION IS UNCONTROLLED IN P AND BEYOND DIMENSION K MINIMUM.

| DIM | MILLIMETERS |      |
|-----|-------------|------|
|     | MIN         | MAX  |
| A   | 4.45        | 5.20 |
| B   | 4.32        | 5.33 |
| C   | 3.18        | 4.19 |
| D   | 0.40        | 0.54 |
| G   | 2.40        | 2.80 |
| J   | 0.39        | 0.50 |
| K   | 12.70       | ---  |
| N   | 2.04        | 2.66 |
| P   | 1.50        | 4.00 |
| R   | 2.93        | ---  |
| V   | 3.43        | ---  |

ON Semiconductor and are registered trademarks of Semiconductor Components Industries, LLC (SCILLC). SCILLC reserves the right to make changes without further notice to any products herein. SCILLC makes no warranty, representation or guarantee regarding the suitability of its products for any particular purpose, nor does SCILLC assume any liability arising out of the application or use of any product or circuit, and specifically disclaims any and all liability, including without limitation special, consequential or incidental damages. "Typical" parameters which may be provided in SCILLC data sheets and/or specifications can and do vary in different applications and actual performance may vary over time. All operating parameters, including "Typicals" must be validated for each customer application by customer's technical experts. SCILLC does not convey any license under its patent rights nor the rights of others. SCILLC products are not designed, intended, or authorized for use as components in systems intended for surgical implant into the body, or other applications intended to support or sustain life, or for any other application in which the failure of the SCILLC product could create a situation where personal injury or death may occur. Should Buyer purchase or use SCILLC products for any such unintended or unauthorized application, Buyer shall indemnify and hold SCILLC and its officers, employees, subsidiaries, affiliates, and distributors harmless against all claims, costs, damages, and expenses, and reasonable attorney fees arising out of, directly or indirectly, any claim of personal injury or death associated with such unintended or unauthorized use, even if such claim alleges that SCILLC was negligent regarding the design or manufacture of the part. SCILLC is an Equal Opportunity/Affirmative Action Employer. This literature is subject to all applicable copyright laws and is not for resale in any manner.

### PUBLICATION ORDERING INFORMATION

**LITERATURE FULFILLMENT:**  
Literature Distribution Center for ON Semiconductor  
P.O. Box 5163, Denver, Colorado 80217 USA  
**Phone:** 303-675-2175 or 800-344-3860 Toll Free USA/Canada  
**Fax:** 303-675-2176 or 800-344-3867 Toll Free USA/Canada  
**Email:** orderlit@onsemi.com

**N. American Technical Support:** 800-282-9855 Toll Free  
USA/Canada  
**Europe, Middle East and Africa Technical Support:**  
Phone: 421 33 790 2910  
**Japan Customer Focus Center**  
Phone: 81-3-5773-3850

**ON Semiconductor Website:** [www.onsemi.com](http://www.onsemi.com)  
**Order Literature:** <http://www.onsemi.com/orderlit>

For additional information, please contact your local Sales Representative