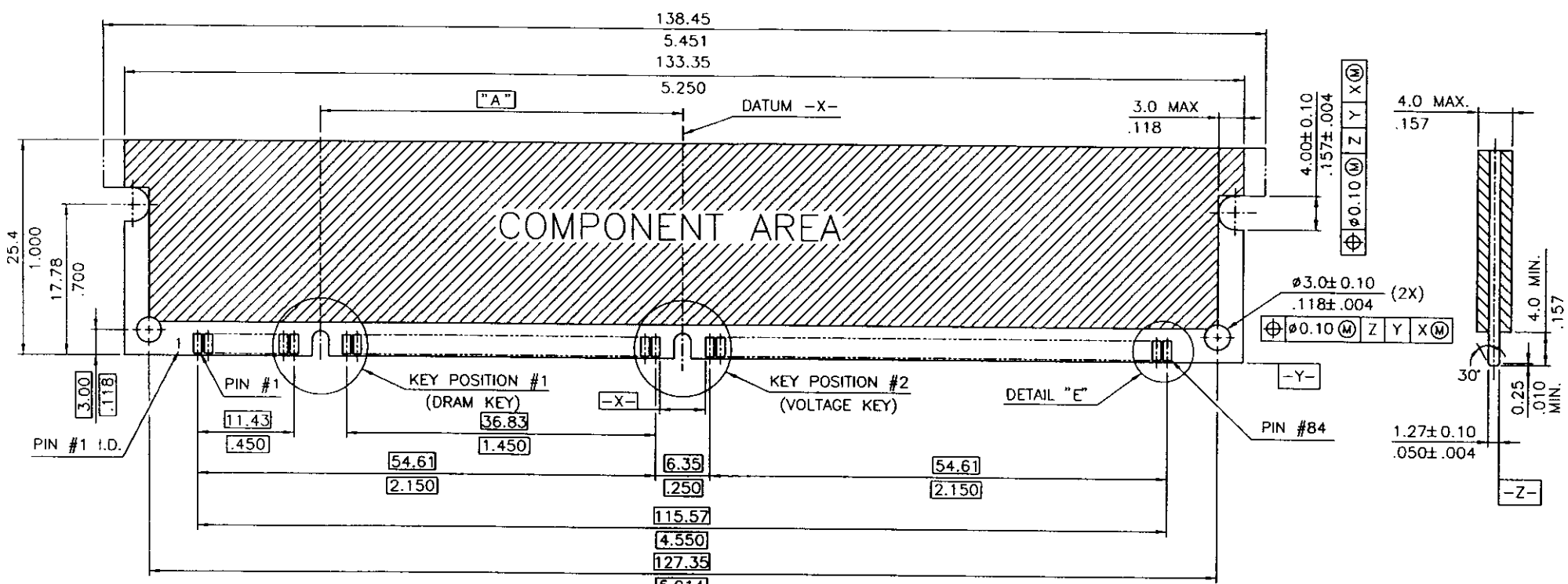
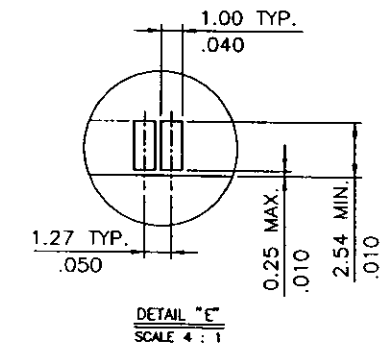
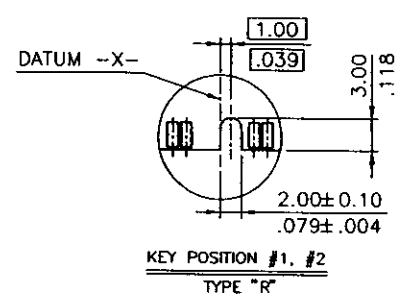
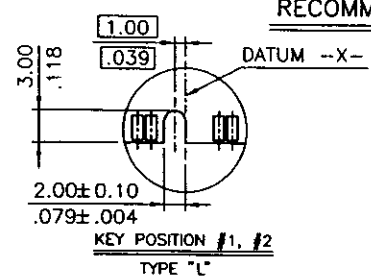
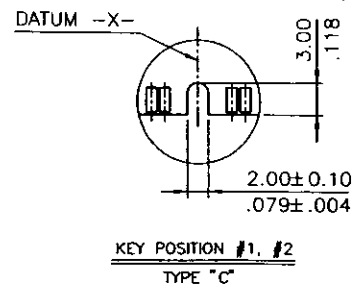


Tous droits strictement réservés. Reproduction ou communication à des tiers interdite sans l'autorisation écrite du propriétaire.
 Property of BERG ELECTRONICS.
 Copyright BERG ELECTRONICS by

All rights strictly reserved. Reproduction or issue to third parties in any form without the written authority from the proprietor.
 Property of BERG ELECTRONICS.
 Copyright BERG ELECTRONICS by



RECOMMENDED MODULE LAYOUT

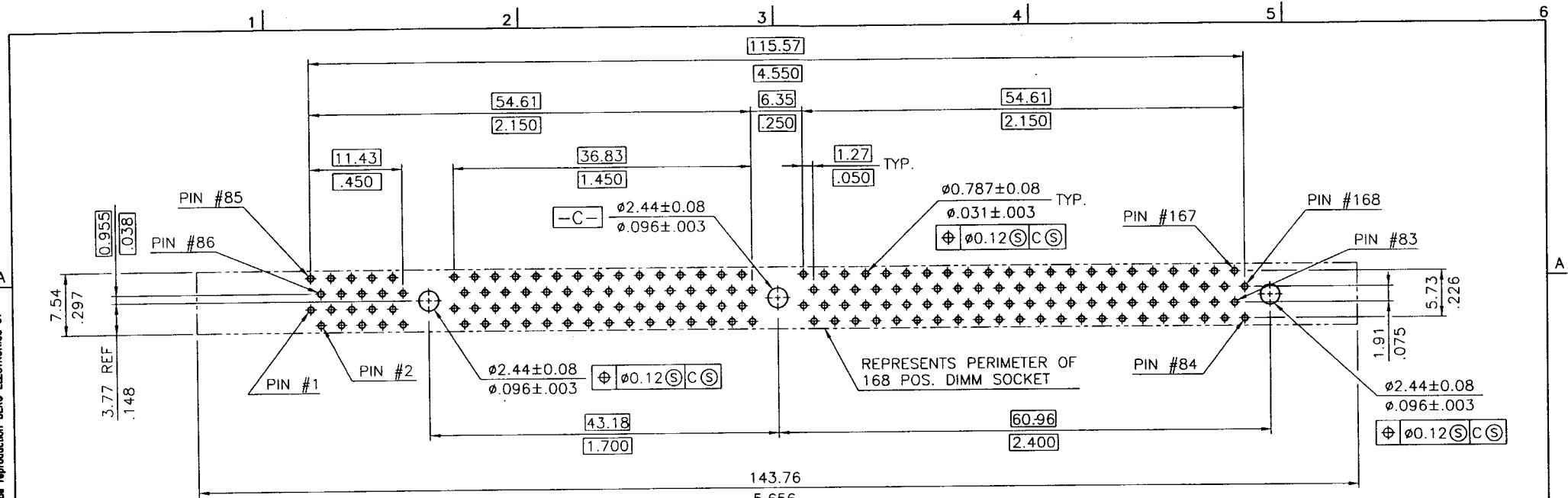


KEY POS. #1	KEY POS. #2	DIM."A"	DESCRIPTION
TYPE "R"	TYPE "C"	42.18 1.661	FOR UNBUFFERED DRAM, SYNC DRAM, REGISTERED SDRAM, 3.3 VOLT.
TYPE "L"	TYPE "C"	44.18 1.739	FOR OPEN, 3.3 VOLT.
TYPE "C"	TYPE "C"	43.18 1.700	FOR STANDARD DRAM, BUFFERED, 3.3 VOLT.
TYPE "R"	TYPE "L"	41.18 1.621	FOR NON-STANDARD DRAM, 5.0 VOLT.
TYPE "L"	TYPE "L"	43.18 1.700	FOR SYNC DRAM, 5.0 VOLT.
TYPE "C"	TYPE "L"	42.18 1.661	FOR STANDARD DRAM, 5.0 VOLT.

mat'l code		tolerance unless otherwise specified		CUSTOMER COPY		BERG ELECTRONICS	
rev.	ecn no.	dr	date	linear	.00 ± 0.30/.012	projection	title
G				angles	.00 ± 0.20/.008		DIMM .050" 1-ROW, 168P V/T ASS'Y METAL CLIP
				dr	± Z		
				enr	CATHY LIN 03/28/95	unit	product family
				chr	WAYNE YU 03/28/95	mm/inch	size
				appd	JENN TSAO 03/28/95	scale	dwg no.
						2 : 1	91159
sheet index	revision sheet						code TWN sheet 2 OF 4

Tous droits strictement réservés. Reproduction ou communication à des tiers int
 sous quelque forme que ce soit, sans autorisation écrite du propriétaire.
 Property of c BERG ELECTRONICS.
 Droits de reproduction BERG ELECTRONICS by

All rights strictly reserved. Reproduction or issue to third parties in any for
 without written authority from the proprietor.
 Property of c BERG ELECTRONICS.
 Copyright BERG ELECTRONICS by



DIMM ASSEMBLY PART NUMBER **RECOMMENDED CIRCUIT BOARD HOLE LAYOUT**

91159 - □ □ □ □ □

STYLE

- 1 : FOR STANDARD DRAM, 5.0 VOLT.
- 2 : FOR SYNC DRAM, 5.0 VOLT.
- 3 : FOR NON-STANDARD DRAM, 5.0 VOLT.
- 4 : FOR STANDARD DRAM, BUFFERED, 3.3 VOLT.
- 5 : FOR OPEN, 3.3 VOLT.
- 6 : FOR UNBUFFERED DRAM, SYNC DRAM, REGISTERED SDRAM, 3.3 VOLT.

METAL CLIP

- 1 : WITH METAL CLIP + DIM."D"=4.00/.157.

TAIL LENGTH

CODE	DIM. "B"	DIM. "C"
0	2.54 .100	2.39 .094
1	3.30 .130	3.15 .124

SPECIAL STYLE:
 P: FOR TAIWAN MARKET USE ONLY (SEE NOTE 4)
PLATING

CODE	CONTACT	SOLDERTAIL	UNDERPLATE
1	150μ"(3.81μm) MIN. TIN/LEAD		
2	15μ"(0.38μm) MIN. GOLD		
3	30μ"(0.76μm) MIN. GOLD		
4	3μ"(0.076μm) MIN. GOLD	100μ"(2.54μm) MIN. TIN/LEAD	50μ"(1.27μm) MIN. NICKEL OVERALL
5	15μ"(0.38μm) MIN. GXT		
6	30μ"(0.76μm) MIN. GXT		
7	60μ"(1.52μm) MIN. GXT		
8	20μ"(0.51μm) MIN. GXT		
9	50μ"(1.27μm) MIN. GOLO		

COLOR OF HOUSING AND EJECTOR

- 0 : BLACK HOUSING + IVORY EJECTOR
- 1 : IVORY HOUSING + BLACK EJECTOR
- 2 : IVORY HOUSING + IVORY EJECTOR
- 3 : BLACK HOUSING + NATURAL EJECTOR (HI TEMPERATURE NYLON)
- 4 : IVORY HOUSING + NATURAL EJECTOR (HI TEMPERATURE NYLON)

mat'l code		tolerance unless otherwise specified		CUSTOMER COPY		BERG ELECTRONICS	
rev.	ecn no.	dr	date	linear	.0 ±0.30/.012	projection	title
H				angles	.00 ±0.20/.008		DIMM .050" 1-ROW, 168P
				dr	.000±0.10/.004		V/T ASS'Y METAL CLIP
				enqr	± 2'	unit	product family
				chr		mm/inch	DIMM
				appd		scale	code
						2 : 1	TWN
sheet	revision					A3	91159
index	sheet						3 OF 4

Tous droits strictement réservés. Reproduction ou communication, e des tiers int
 sous quelque forme que ce soit sans autorisation écrite du propriétaire.
 Property of BERG ELECTRONICS.
 Droits de reproduction BERG ELECTRONICS by

PROD. NO.	DIM."A"	DIM."B"	DIM."C"	DIM."D"	HOUSING COLOR	RESIN	EJECTOR COLOR	RESIN	STYLE	MARKING #2	MARKING #1		
91159-1100*	42.18	2.54 .100	2.39 .094	4.0 .157	BLACK	LCP	IVORY	LCP	FOR STANDARD DRAM, 5 VOLT.	STD	5.0		
91159-1101*					BLACK		IVORY						
91159-1102*					BLACK		IVORY						
91159-1103*					BLACK		NATURAL						
91159-1110*	1.661	3.30 .130	3.15 .124		BLACK		IVORY	NYLON					
91159-1111*					BLACK		IVORY						
91159-1112*					BLACK		IVORY						
91159-1113*					BLACK		NATURAL						
91159-2100*	43.18	2.54 .100	2.39 .094		BLACK		LCP	IVORY		LCP	FOR SYNC DRAM, 5 VOLT.	SYNC	5.0
91159-2101*					BLACK			IVORY					
91159-2102*					BLACK			IVORY					
91159-2103*					BLACK			NATURAL					
91159-2110*	1.700	3.30 .130	3.15 .124	BLACK	IVORY	NYLON							
91159-2111*				BLACK	IVORY								
91159-2112*				BLACK	IVORY								
91159-2113*				BLACK	NATURAL								
91159-3100*	41.18	2.54 .100	2.39 .094	BLACK	LCP	IVORY		LCP	FOR NON-STANDARD DRAM, 5 VOLT.	NONE		5.0	
91159-3101*				BLACK		IVORY							
91159-3102*				BLACK		IVORY							
91159-3103*				BLACK		NATURAL							
91159-3110*	1.621	3.30 .130	3.15 .124	BLACK		IVORY	NYLON						
91159-3111*				BLACK		IVORY							
91159-3112*				BLACK		IVORY							
91159-3113*				BLACK		NATURAL							
91159-4100*	43.18	2.54 .100	2.39 .094	BLACK		LCP	IVORY	LCP		FOR STANDARD DRAM, BUFFERED, 3.3 VOLT.	STD	3.3	
91159-4101*				BLACK			IVORY						
91159-4102*				BLACK			IVORY						
91159-4103*				BLACK			NATURAL						
91159-4110*	1.700	3.30 .130	3.15 .124	BLACK	IVORY		NYLON						
91159-4111*				BLACK	IVORY								
91159-4112*				BLACK	IVORY								
91159-4113*				BLACK	NATURAL								
91159-5100*	44.18	2.54 .100	2.39 .094	BLACK	LCP		IVORY	LCP	FOR OPEN, 3.3 VOLT.		NO MARKING	3.3	
91159-5101*				BLACK			IVORY						
91159-5102*				BLACK			IVORY						
91159-5103*				BLACK			NATURAL						
91159-5110*	1.739	3.30 .130	3.15 .124	BLACK		IVORY	NYLON						
91159-5111*				BLACK		IVORY							
91159-5112*				BLACK		IVORY							
91159-5113*				BLACK		NATURAL							
91159-6100*	42.18	2.54 .100	2.39 .094	BLACK		LCP	IVORY	LCP		FOR UNBUFFERED DRAM, SYNC DRAM, REGISTERED SDRAM, 3.3 VOLT.	NONE	3.3	
91159-6101*				BLACK			IVORY						
91159-6102*				BLACK			IVORY						
91159-6103*				BLACK			NATURAL						
91159-6110*	1.661	3.30 .130	3.15 .124	BLACK	IVORY		NYLON						
91159-6111*				BLACK	IVORY								
91159-6112*				BLACK	IVORY								
91159-6113*				BLACK	NATURAL								

REMARK: 1. PROD. NO. MARK "*" SEE ABOVE PART NO. PLATING CODE DESCRIPTION.
 2. SEE DESCRIPTION UNDER PLATING FOR THE MARK "*" IN THE COLUMN OF TERMINAL PART NO.

All rights strictly reserved. Reproduction or issue to third parties in any form
 without written authority from the proprietor.
 Property of BERG ELECTRONICS.
 Copyright BERG ELECTRONICS by



mat'l code		tolerance unless otherwise specified		CUSTOMER COPY			
rev. ecn no.	dr date	linear	.0 ±0.38/015 .00 ±0.25/010 .000±0.13/005	projection	title		
G		angles	± 2°		DIMM .050" 1-ROW, 168P V/T ASS'Y		
		dr	CATHY LIN 03/28/95	unit	product family	code	
		enrg	CATHY LIN 03/28/95	mm/inch	size	TWN	
		chr	WAYNE YU 03/28/95	scale	dwg no.	sheet	
		appd	JENN TSAO 03/28/95	1 : 1	A3	4 OF 4	
sheet	revision						
index	sheet						