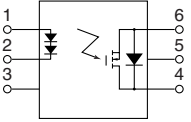
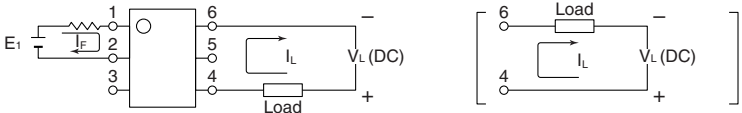
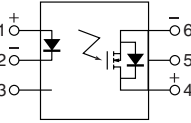
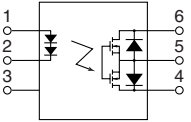
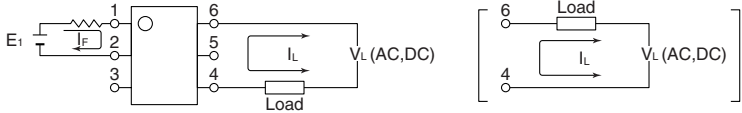
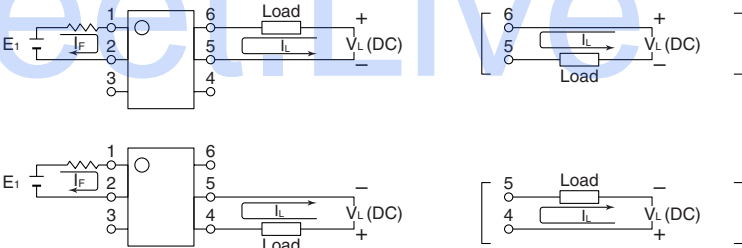
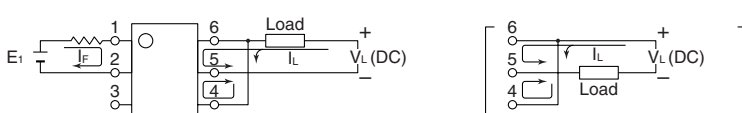


PhotoMOS Relay Schematic and Wiring Diagrams

Type	Schematic	Output configuration	Load	Con-nection	Wiring diagram
AQV10 Series	 <p>Terminal 3 cannot be used, since it is in the internal circuit of the relay.</p>	1a	DC	A	
AQV11 Series	 <p>Terminal 3 cannot be used, since it is in the internal circuit of the relay.</p>				
AQV20 Series	 <p>Terminal 3 cannot be used, since it is in the internal circuit of the relay.</p>	1a	AC/DC	A	
			DC	B	 <p>Can be also connected as 2 Form A type. (However, the sum of the continuous load current should not exceed the absolute maximum rating.)</p>
			DC	C	

Notes: 1. E_1 : Power source at input side; V_{in} : Input voltage; I_F : LED forward current; I_{in} : Input current; V_L : Load voltage; I_L : Load current; R: Current limit resistor.
 2. Method of connecting the load at the output is divided into 3 types.

Type	Schematic	Output configuration	Load	Connection	Wiring diagram
AQY21 AQY21(SOP) AQY22 (SOP, SSOP) AQY27 Series		1a	AC/DC	—	
AQV21 AQV21(SOP) AQV22 AQV22(SOP) AQV25(SOP) AQV23 AQV25 Series		1a	AC/DC	A	
			DC	B	
			DC		
DC	C				

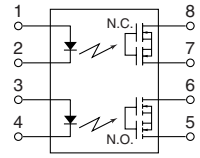
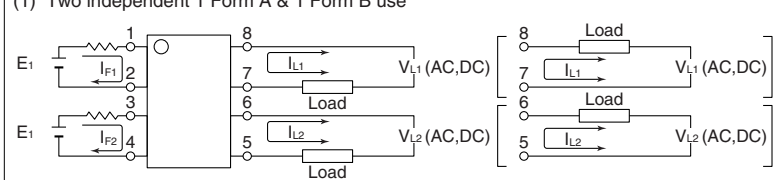
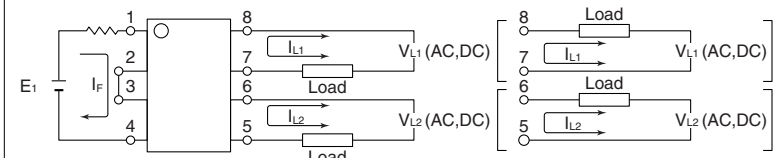
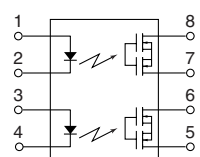
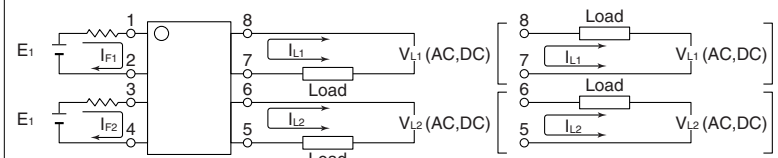
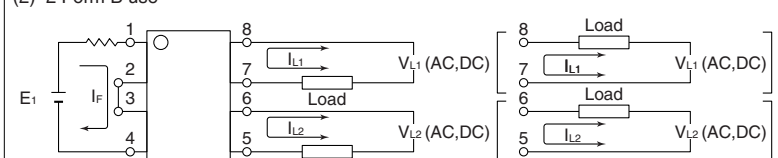
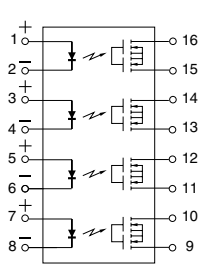
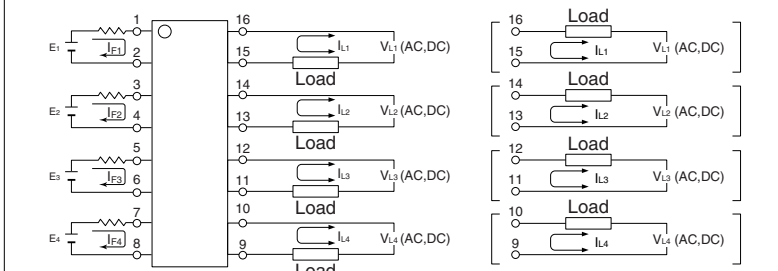
Terminal 3 cannot be used, since it is in the internal circuit of the relay.

Can be also connected as 2 Form A type. (However, the sum of the continuous load current should not exceed the absolute maximum rating.)

Notes: 1. E_1 : Power source at input side; V_{IN} : Input voltage; I_F : LED forward current; I_{IN} : Input current; V_L : Load voltage; I_L : Load current; R : Current limit resistor.
2. Method of connecting the load at the output is divided into 3 types.

Type	Schematic	Output configuration	Load	Connection	Wiring diagram
AQW21 AQW21(SOP) AQW22 AQW25 AQW27 Series		2a	AC/DC	—	(1) Two independent 1 Form A use (2) 2 Form A use
AQY41 AQY41(SOP) Series		1b	AC/DC	—	
AQV41 AQV41(SOP) AQV45 Series		1b	AC/DC	A	
			DC	B	
	Terminal 3 cannot be used, since it is in the internal circuit of the relay.		DC	C	

Notes: 1. E_1 : Power source at input side; V_{IN} : Input voltage; I_F : LED forward current; I_{IN} : Input current; V_L : Load voltage; I_L : Load current; R : Current limit resistor.
 2. Method of connecting the load at the output is divided into 3 types.

Type	Schematic	Output configuration	Load	Con-nection	Wiring diagram
AQW61 AQW61(SOP) AQW65 Series		1a1b	AC/DC	—	<p>(1) Two independent 1 Form A & 1 Form B use</p>  <p>(2) 1 Form A 1 Form B use</p> 
AQW41 AQW45 Series		2b	AC/DC	—	<p>(1) Two independent 1 Form B use</p>  <p>(2) 2 Form B use</p> 
AQS22 Series		4a	AC/DC	—	

Notes: 1. E_1 : Power source at input side; V_{IN} : Input voltage; I_F : LED forward current; I_{IN} : Input current; V_L : Load voltage; I_L : Load current; R : Current limit resistor.
2. Method of connecting the load at the output is divided into 3 types.

Type	Schematic	Output configuration	Load	Connection	Wiring diagram
AQZ20 AQZ26 Series		1a	AC/DC	—	
AQZ10 Series		1a	DC	—	
AQZ20OD Series		1a	AC/DC	—	
AQZ10OD Series		1a	DC	—	
AQZ40 Series		1b	AC/DC	—	

Notes: 1. E_1 : Power source at input side; V_{IN} : Input voltage; I_F : LED forward current; I_{IN} : Input current; V_L : Load voltage; I_L : Load current; R : Current limit resistor.
2. Method of connecting the load at the output is divided into 3 types.

Type	Schematic	Output configuration	Load	Connection	Wiring diagram								
APV1122		1a	AC/DC	—	<p>Power MOSFET drive wiring diagram</p> <p>Example of each input power supply and current limit resistors ($I_F = 10\text{mA}$)</p> <table border="1"> <thead> <tr> <th>E_1</th> <th>R</th> </tr> </thead> <tbody> <tr> <td>5V</td> <td>Approx. 380Ω</td> </tr> <tr> <td>15V</td> <td>Approx. $1.4\text{k}\Omega$</td> </tr> <tr> <td>24V</td> <td>Approx. $2.3\text{k}\Omega$</td> </tr> </tbody> </table>	E_1	R	5V	Approx. 380Ω	15V	Approx. $1.4\text{k}\Omega$	24V	Approx. $2.3\text{k}\Omega$
E_1	R												
5V	Approx. 380Ω												
15V	Approx. $1.4\text{k}\Omega$												
24V	Approx. $2.3\text{k}\Omega$												
APV1121S APV2121S APV2111V		1a	DC	—	<p>Power MOSFET drive wiring diagram</p> <p>Example of each input power supply and current limit resistors ($I_F = 10\text{mA}$)</p> <table border="1"> <thead> <tr> <th>E_1</th> <th>R</th> </tr> </thead> <tbody> <tr> <td>5V</td> <td>Approx. 380Ω</td> </tr> <tr> <td>15V</td> <td>Approx. $1.4\text{k}\Omega$</td> </tr> <tr> <td>24V</td> <td>Approx. $2.3\text{k}\Omega$</td> </tr> </tbody> </table>	E_1	R	5V	Approx. 380Ω	15V	Approx. $1.4\text{k}\Omega$	24V	Approx. $2.3\text{k}\Omega$
E_1	R												
5V	Approx. 380Ω												
15V	Approx. $1.4\text{k}\Omega$												
24V	Approx. $2.3\text{k}\Omega$												

Notes: 1. E_1 : Power source at input side; V_{IN} : Input voltage; I_F : LED forward current; I_{IN} : Input current; V_L : Load voltage; I_L : Load current; R: Current limit resistor.
2. Method of connecting the load at the output is divided into 3 types.