

# Central<sup>TM</sup> Semiconductor Corp.

145 Adams Avenue, Hauppauge, NY 11788 USA  
Tel: (631) 435-1110 • Fax: (631) 435-1824

Manufacturers of World Class Discrete Semiconductors

BC327  
BC327A  
BC328

PNP SILICON TRANSISTOR

JEDEC TO-92-18R CASE

## DESCRIPTION

The CENTRAL SEMICONDUCTOR BC327, BC327A, BC328 types are Silicon PNP Transistors designed for general purpose switching and amplifier applications.

## MAXIMUM RATINGS (T<sub>A</sub>=25°C)

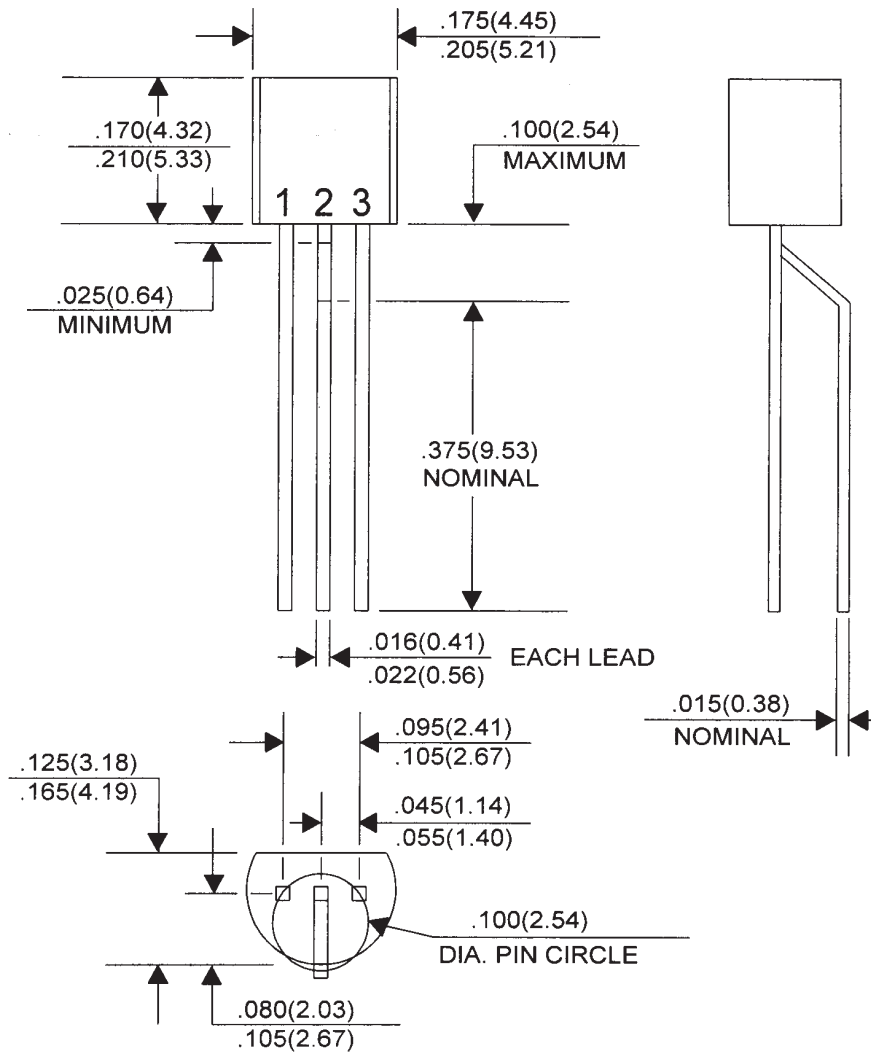
	SYMBOL	BC327	BC327A	BC328	UNITS
Collector-Base Voltage	V <sub>CBO</sub>	50	60	30	V
Collector-Emitter Voltage	V <sub>CEO</sub>	45	60	25	V
Emitter-Base Voltage	V <sub>EBO</sub>		5.0		V
Collector Current	I <sub>C</sub>		500		mA
Peak Collector Current	I <sub>CM</sub>		1.0		A
Base Current	I <sub>B</sub>		100		mA
Peak Base Current	I <sub>BM</sub>		200		mA
Power Dissipation	P <sub>D</sub>		625		mW
Operating and Storage Junction Temperature	T <sub>J</sub> , T <sub>stg</sub>		-65 to +150		°C
Thermal Resistance	θ <sub>JA</sub>		200		°C/W

## ELECTRICAL CHARACTERISTICS (T<sub>A</sub>=25°C unless otherwise noted)

SYMBOL	TEST CONDITIONS	MIN	TYP	MAX	UNITS
I <sub>CBO</sub>	V <sub>CB</sub> =20V			100	nA
I <sub>CBO</sub>	V <sub>CB</sub> =20V, T <sub>A</sub> =150°C			5.0	μA
I <sub>EBO</sub>	V <sub>EB</sub> =5.0V			100	nA
V <sub>CE(SAT)</sub>	I <sub>C</sub> =500mA, I <sub>B</sub> =50mA			0.7	V
V <sub>BE(ON)</sub>	V <sub>CE</sub> =1.0V, I <sub>C</sub> =500mA			1.2	V
h <sub>FE</sub>	V <sub>CE</sub> =1.0V, I <sub>C</sub> =100mA (BC327, BC328)	100		600	
h <sub>FE</sub>	V <sub>CE</sub> =1.0V, I <sub>C</sub> =100mA (BC327A)	100		400	
h <sub>FE</sub>	V <sub>CE</sub> =1.0V, I <sub>C</sub> =100mA (BC327-16, BC328-16)	100		250	
h <sub>FE</sub>	V <sub>CE</sub> =1.0V, I <sub>C</sub> =100mA (BC327-25, BC328-25)	160		400	
h <sub>FE</sub>	V <sub>CE</sub> =1.0V, I <sub>C</sub> =100mA (BC327-40, BC328-40)	250		600	
h <sub>FE</sub>	V <sub>CE</sub> =1.0V, I <sub>C</sub> =500mA (All Types)	40			
f <sub>T</sub>	V <sub>CE</sub> =5.0V, I <sub>C</sub> =10mA, f=100MHz	80			MHz
C <sub>c</sub>	V <sub>CB</sub> =10V, I <sub>E</sub> =0, f=1.0MHz		10		pF

(See Reverse Side)

JEDEC TO-92-18R - MECHANICAL OUTLINE



All Dimensions in Inches (mm).

LEAD CODE:

- 1) COLLECTOR
- 2) BASE
- 3) EMITTER