


STK430 SERIES	thick film hybrid IC	CIRCUIT DRAWING No.6006-6008
2-CHANNEL 5 TO 25WMIN AF POWER AMP.		

Features

- © IMST, 2 Channels by 1 Power Supply.
- Small pop noise because of direct coupling emitter feedbacked.
- STK 433-105, 435-105, 436-105 and 441-105 are for the use of $T_C=105^{\circ}\text{C}$.
- AF output power STK430III: 5Wmin., STK 433: 5Wmin., STK435: 7Wmin., STK436: 10Wmin., STK437: 10Wmin., STK439: 15W min., STK441: 200Wmin., STK443: 25Wmin.
- Package Number: 4009 (STK433, 435, 436) 4010 (STK437, 439, 441, 443) 4031 (STK430III)

STK561F,563A,563F,583F	thick film hybrid IC	CIRCUIT DRAWING No.6009
TV VOLTAGE REGULATOR & AUDIO OUTPUT AMP.		

Use


- NTSC system color TV sets

Functions

- Line operate series regulator
- Line operate audio output amp.

Features

- Series regulator and audio output amp. are incorporated in a single package.
- Capable of being mounted easily due to single-end package
- Excellent heat radiation and thermal stability due to IMST substrate (Al substrate)
- IC substrate can be mounted direct to radiator fin.
- Regulator output voltage and audio output middle point voltage are set with high accuracy by mechanical functional trimming.
- DC output voltage (STK561F: 115V, STK563A: 130V, STK563F: 135V, STK583F: 135V) is available by functional trimming.
- Low power dissipation, low distortion, high gain due to pure complementary SEPP configuration of audio section.

STK571C,571F	thick film hybrid IC	CIRCUIT DRAWING No.6010
TV VOLTAGE REGULATOR & HIGH-VOLTAGE VERTICAL DEFLECTION OUTPUT		

Use

- NTSC system color TV sets

Functions

- Line operate series regulator
- Vertical deflection output amp.

Features

- Excellent heat radiation and thermal stability due to IMST substrate (Al substrate)
- Electrically insulated IMST substrate can be mounted direct to radiator fin easily.
- Regulator output voltage is set with high accuracy by mechanical functional trimming.
- DC output voltage (STK571C: 112V, STK571F: 115V) is available by functional trimming.
- Capable of being mounted easily due to single-end package
- Capable of being used in conjunction with deflection signal processor IC
- High breakdown voltage
- Wide operating voltage range from line operate to Low + B

ALL IN ONE/STEREO AF POWER AMP'S (thick film hybrid integrated circuit)

● STK430 SERIES

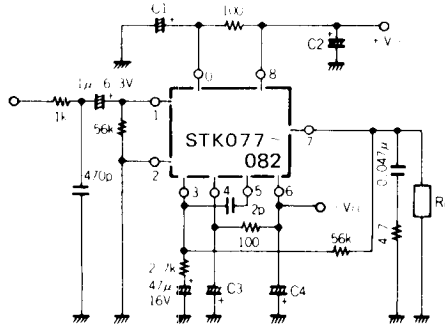
Type Number	Page	Case			Circuit Drawing No.	Circuit Functions & Applications	Recommended V_{CC}, R_L [V], [Ω]	Main Characteristics/ $T_a=25^\circ\text{C}$, recommended operating conditions			
		Package	Pins	Package No.				I_{CCO} [mAmax]	P_o/THD [Wmin/%]	THD/P_o [%max/W]	f response [Hz]
STK430 III	256	SEP	15	4031	6006	5 to 22Wmin AF Power Amp	13.2.4	120	5×2/10.0	0.8/1.0	40 to 50k
STK433	256	SEP	15	4009	6007	5Wmin AF Power Amp	23.0.8	120	5×2/1.0	0.5/0.1	50 to 50k
STK435	256	SEP	15	4009	6007	7Wmin AF Power Amp	27.0.8	120	7×2/1.0	0.5/0.1	40 to 50k
STK436	256	SEP	15	4009	6007	10Wmin AF Power Amp	32.0.8	120	10×2/1.0	0.3/0.1	20 to 100k
STK437	256	SEP	15	4010	6008	10Wmin AF Power Amp	33.0.8	120	10×2/1.0	0.2/0.1	20 to 100k
STK439	256	SEP	15	4010	6008	15Wmin AF Power Amp	39.0.8	120	15×2/1.0	0.2/0.1	20 to 100k
STK441	256	SEP	15	4010	6008	20Wmin AF Power Amp	44.0.8	120	20×2/1.0	0.3/0.1	20 to 100k
STK443	256	SEP	15	4010	6008	25Wmin AF Power Amp	49.0.8	120	25×2/1.0	0.3/0.1	20 to 100k

(Note) Type Numbers for $T_c=105^\circ\text{C}$ are also available.

● STK4101 II SERIES

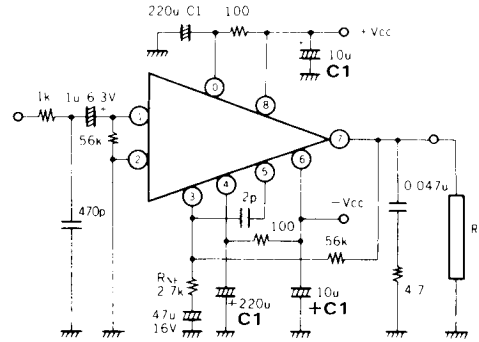
Type Number	Page	Case			Circuit Drawing No.	Circuit Functions & Applications ★Dual-Supply Operation	Recommended V_{CC}, R_L [V], [Ω]	Main Characteristics/ $T_a=25^\circ\text{C}$, recommended operating conditions			
		Package	Pins	Package No.				I_{CCO} [mAmax]	P_o/THD [Wmin/%]	THD/P_o [%max/W]	f response [Hz]
STK4101 II	260	SEP	18	4040	6022	★ 6Wmin AF Power Amp	±13.2.8	100	6×2/0.4	0.3/1.0	20 to 50k
STK4111 II	260	SEP	18	4040	6022	★ 10Wmin AF Power Amp	±17.0.8	100	10×2/0.4	0.3/1.0	20 to 50k
STK4121 II	260	SEP	18	4040	6022	★ 15Wmin AF Power Amp	±20.0.8	100	15×2/0.4	0.3/1.0	20 to 50k
STK4131 II	260	SEP	18	4040	6022	★ 20Wmin AF Power Amp	±23.0.8	100	20×2/0.4	0.3/1.0	20 to 50k
STK4141 II	260	SEP	18	4040	6022	★ 25Wmin AF Power Amp	±26.0.8	100	25×2/0.4	0.3/1.0	20 to 50k
STK4151 II	260	SEP	18	4042	6022	★ 30Wmin AF Power Amp	±27.5.8	100	30×2/0.4	0.3/1.0	20 to 50k
STK4161 II	260	SEP	18	4042	6022	★ 35Wmin AF Power Amp	±30.0.8	100	35×2/0.4	0.3/1.0	20 to 50k
STK4171 II	260	SEP	18	4042	6022	★ 40Wmin AF Power Amp	±32.0.8	100	40×2/0.4	0.3/1.0	20 to 50k
STK4181 II	260	SEP	18	4042	6022	★ 45Wmin AF Power Amp	±33.5.8	100	45×2/0.4	0.3/1.0	20 to 50k
STK4191 II	260	SEP	18	4042	6022	★ 50Wmin AF Power Amp	±35.0.8	100	50×2/0.4	0.3/1.0	20 to 50k

**6004:STK077,078,080,082
APPLICATION**



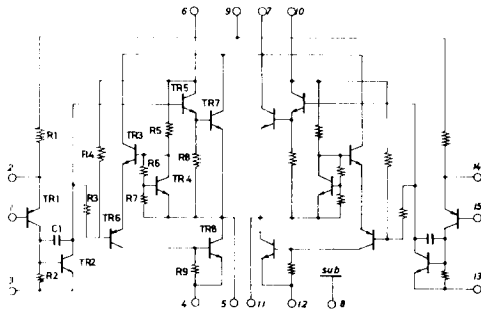
	STK077, 78	STK 080, 82
C1	220μ/35V	220μ/50V
C2	10μ/35V	10μ/50V
C3	220μ/35V	220μ/50V
C4	10μ/35V	10μ/50V

**6005:STK084, 085-105, 086
APPLICATION:AF Power Amp.**

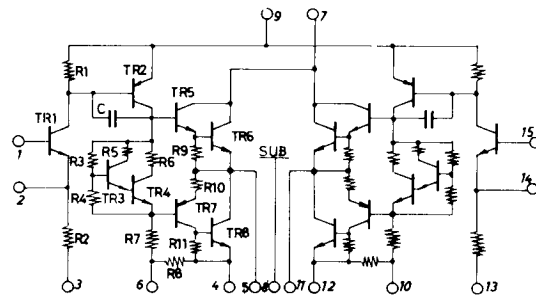


	C1
STK 084, 085-105	50V
STK 086	63V

**6006:STK430 III
EQUIVALENT CIRCUIT**



**6007:STK433,435,436
EQUIVALENT CIRCUIT**



**6008:STK437,439,441,443
EQUIVALENT CIRCUIT**

