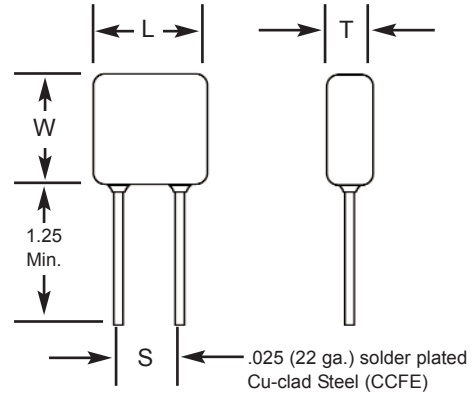


FEATURES

1. Conforms to MIL-PRF-49467. (Group A Screening, Subgroup 1)
2. 100% Corona tested.
3. No IR degradation over life.
4. High density, low DF ceramic.
5. Conservative and proven design is recommended for non-repairable applications such as spacecraft.
6. CSAM inspection is available and is recommended for space applications.
7. Burn-in in a non-contaminating inert fluid is standard for $\geq 2\text{KV}$; optional for 500V or 1 KV parts.

CAPACITOR OUTLINE DRAWING



DIMENSIONS

Style	Sizes in Inches (mm) max.			Lead Spacing ± 0.030 (S)
	Length (L)	Width (W)	Thickness (T)	
HS20	.250 (6.35)	.220 (5.59)	.200 (5.08)	.170 (4.32)
HS21	.320 (8.13)	.280 (7.11)	.250 (6.35)	.220 (5.59)
HS22	.370 (9.40)	.300 (7.62)	.250 (6.35)	.275 (6.98)
HS30	.450 (11.43)	.220 (5.59)	.200 (5.08)	.300 (7.62)
HS23	.470 (11.94)	.400 (10.16)	.270 (6.89)	.375 (9.52)
HS31	.550 (13.97)	.280 (7.11)	.250 (6.35)	.400 (10.16)
HS24	.570 (14.48)	.500 (12.70)	.270 (6.89)	.475 (12.06)
HS25	.670 (17.02)	.600 (15.24)	.270 (6.89)	.575 (14.60)
HS26	.770 (19.56)	.720 (18.29)	.270 (6.89)	.675 (17.14)
HS33	.850 (21.59)	.400 (10.16)	.270 (6.89)	.700 (17.78)
HS34	1.050 (26.67)	.500 (12.70)	.270 (6.89)	.975 (24.76)
HS35	1.250 (31.75)	.600 (15.24)	.270 (6.89)	1.175 (29.84)
HS36	1.450 (36.83)	.720 (18.29)	.270 (6.89)	1.375 (34.92)

PART NUMBER AND ORDERING INFORMATION

VOLTAGE 10 **HS24** **B** 103 **K** **C** **F**

05 = 500V 40 = 4000V
 10 = 1000V 50 = 5000V
 20 = 2000V 75 = 7500V
 30 = 3000V 100 = 10,000V

STYLE _____
 HS24, etc.

DIELECTRIC _____
 B = X7R
 N = BP C0G (NP0)

CAPACITANCE VALUE _____
 First two digits are significant,
 last digit is number of zeros,
 i.e., 103=10000pF

INERT LIQUID (BURN-IN)
 Std. for $\geq 2\text{kV}$;
 Add "F" if required
 for 500V or 1kV parts

C=CSAM

TOLERANCE
 J = $\pm 5\%$
 K = $\pm 10\%$
 M = $\pm 20\%$
 P = 0/+100%
 Z = -20%/+80%

MARKING	
(HS20, HV21)	(All Other Sizes)
103K	HS24B103K
1 kV	1 kV
KEC	KEC
Date Code	Date Code

High Voltage Space Quality MLC (-55° to +125°C) HS Series

COG DIELECTRIC

STYLE		HS 20			HS 21			HS 22			HS 23				HS 24					HS 25					HS 26														
Cap	L MAX	.250 (6.35)			.320 (8.13)			.370 (9.40)			.470 (11.94)				.570 (14.48)					.670 (17.02)					.770 (19.56)														
	W MAX	.220 (5.59)			.280 (7.11)			.300 (7.62)			.400 (10.16)				.500 (12.70)					.600 (15.24)					.720 (18.29)														
	T MAX	.200 (5.08)			.250 (6.35)			.250 (6.35)			.270 (6.86)				.270 (6.86)					.270 (6.86)					.270 (6.86)														
	S± .030	.170 (4.32)			.220 (5.59)			.275 (6.98)			.375 (9.52)				.475 (12.06)					.575 (14.60)					.675 (17.14)														
	Lead Dia. +0.004/-0.002	.025 (.635)			.025 (.635)			.025 (.635)			.025 (.635)				.025 (.635)					.025 (.635)					.025 (.635)														
	Cap Code	500		1k	2k	500		1k	2k	500		1k	2k	3k	500		1k	2k	3k	4k	5k	500		1k	2k	3k	4k	5k	500		1k	2k	3k	4k	5k				
12pF	120																																						
15	150																																						
18	180																																						
22	220																																						
27	270																																						
33	330																																						
39	390																																						
47	470																																						
56	560																																						
68	680																																						
82	820																																						
100	101																																						
120	121																																						
150	151																																						
180	181																																						
220	221																																						
270	271																																						
330	331																																						
390	391																																						
470	471																																						
560	561																																						
680	681																																						
820	821																																						
1000	102																																						
1200	122																																						
1500	152																																						
1800	182																																						
2200	222																																						
2700	272																																						
3300	332																																						
3900	392																																						
4700	472																																						
5600	562																																						
6800	682																																						
8200	822																																						
0.010uF	103																																						
0.012	123																																						
0.015	153																																						
0.018	183																																						
0.022	223																																						
0.027	273																																						
0.033	333																																						
0.039	393																																						
0.047	473																																						
0.056	563																																						
0.068	683																																						
0.082	823																																						
0.10	104																																						
0.12	124																																						
0.15	154																																						

High Voltage Space Quality MLC (-55° to +125°C) HS Series

X7R DIELECTRIC

STYLE		HS 20			HS 21			HS 22			HS 23				HS 24					HS 25					HS 26					
Cap	L MAX	.250 (6.35)			.320 (8.13)			.370 (9.40)			.470 (11.94)				.570 (14.48)					.670 (17.02)					.770 (19.56)					
	W MAX	.220 (5.59)			.280 (7.11)			.300 (7.62)			.400 (10.16)				.500 (12.70)					.600 (15.24)					.720 (18.29)					
	T MAX	.200 (5.08)			.250 (6.35)			.250 (6.35)			.270 (6.86)				.270 (6.86)					.270 (6.86)					.270 (6.86)					
	S± .030	.170 (4.32)			.220 (5.59)			.275 (6.98)			.375 (9.52)				.475 (12.06)					.575 (14.60)					.675 (17.14)					
	Lead Dia. +0.004/-0.002	.025 (.635)			.025 (.635)			.025 (.635)			.025 (.635)				.025 (.635)					.025 (.635)					.025 (.635)					
	Cap Code	WVDC			WVDC			WVDC			WVDC				WVDC					WVDC										
		500	1k	2k	500	1k	2k	500	1k	2k	500	1k	2k	3k	500	1k	2k	3k	4k	500	1k	2k	3k	4k	5k	500	1k	2k	3k	4k
270pF	271																													
330	331																													
390	391																													
470	471																													
560	561																													
680	681																													
820	821																													
1000	102																													
1200	122																													
1500	152																													
1800	182																													
2200	222																													
2700	272																													
3300	332																													
3900	392																													
4700	472																													
5600	562																													
6800	682																													
8200	822																													
0.010uF	103																													
0.012	123																													
0.015	153																													
0.018	183																													
0.022	223																													
0.027	273																													
0.033	333																													
0.039	393																													
0.047	473																													
0.056	563																													
0.068	683																													
0.082	823																													
0.10	104																													
0.12	124																													
0.15	154																													
0.18	184																													
0.22	224																													
0.27	274																													
0.33	334																													
0.39	394																													
0.47	474																													
0.56	564																													
0.68	684																													
0.82	824																													
1.0	105																													
1.2	125																													
1.5	155																													
1.8	185																													
2.2	225																													
2.7	275																													

