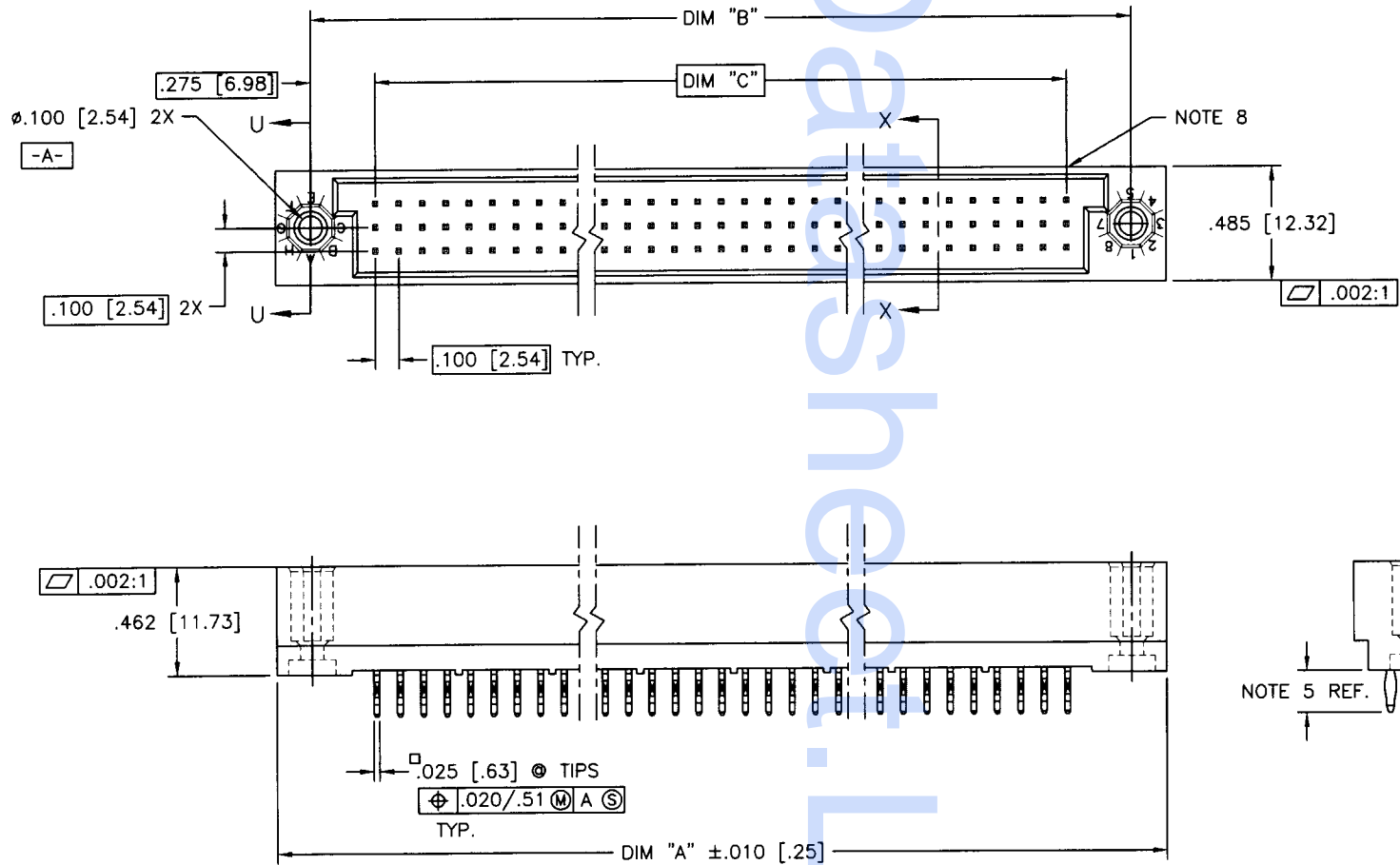


Tous droits strictement réservés. Reproduction ou communication à des tiers interdite sous quelque forme que ce soit sans autorisation écrite du propriétaire. Propriété de c FCI. Droits de reproduction FCI.

All rights strictly reserved. Reproduction or issue to third parties in any form whatever is not permitted without written authority from the proprietor. Property of FCI. Copyright FCI.



PRODUCT NUMBER
SEE NOTE 1



| mat'l. code | | tolerances unless otherwise specified | | | CUSTOMER COPY | | FCI Electronics | |
|-------------|----------------|---------------------------------------|----------|--------|----------------------|--------------------------|--------------------|-------|
| NOTE 3 | | | | | COPY | | www.fciconnect.com | |
| ltr | ecn no | dr | date | linear | .XX±.01/.X±.3 | projection | title | code |
| B | V12528 | SAR | 10/8/91 | | .XXX±.005/.XX±.13 | | | |
| C | V22035 | SAR | 4/9/92 | | .XXX±.0020/.XXX±.051 | w/PRESS FIT PINS, 0 G.P. | sheet | |
| D | V23149 | MRC | 9/1/92 | angles | 0° ±2° | | | scale |
| E | V40284 | PDP | 1/20/94 | dr | D. SHEAFFER 3/14/91 | 1:1 | HPC | |
| F | V40940 | PDP | 6/1/94 | engr | S. CLARK 3/14/91 | | | A |
| G | V82252 | HTB | 12/28/98 | chr | S. CLARK 3/14/91 | A | 50006 | |
| H | V00271 | JWS | 1/31/00 | appd | S. CLARK 3/14/91 | | | A |
| sheet index | revision sheet | H | H | | | | | |
| | | 1 | 2 | | | | | |

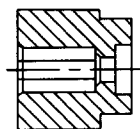
ACAD

cage code
22526

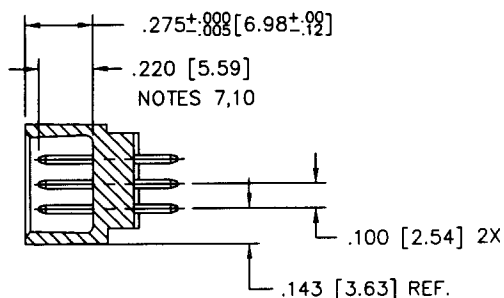
Tous droits strictement réservés. Reproduction ou communication à des tiers interdite sous quelque forme que ce soit sans autorisation écrite du propriétaire. Propriété de c FCI. Droits de reproduction FCI.

All rights strictly reserved. Reproduction or issue to third parties in any form whatever is not permitted without written authority from the proprietor. Property of FCI. Copyright FCI.

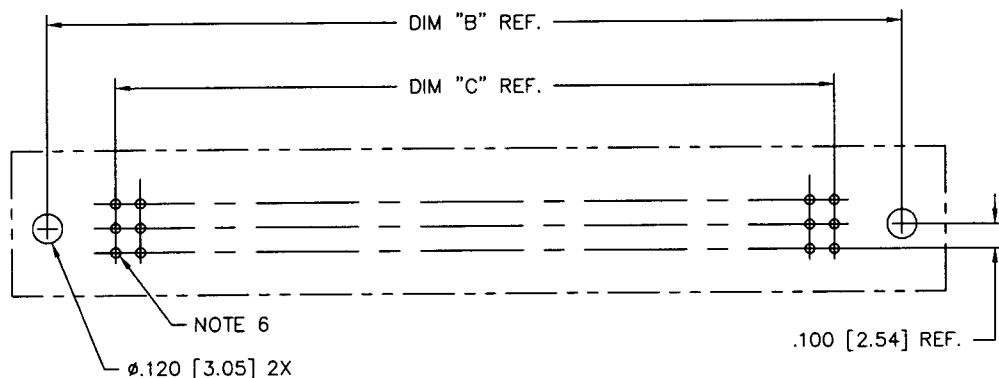
| PRODUCT NUMBER | DIM. | LENGTH FORMULAS |
|----------------|---------|--|
| SEE NOTE 1 | DIM "A" | .100/2.54 x NO. OF COLUMNS +.75/19.1 |
| | DIM "B" | .100/2.54 x NO. OF COLUMNS +.450/11.43 |
| | DIM "C" | .100/2.54 x NO. OF COLUMNS -.100/2.54 |



SECTION U-U



SECTION X-X



RECOMMENDED PCB LAYOUT
(ALL HOLES LOCATED ON .100/2.54 GRID UNLESS OTHERWISE SPECIFIED)

NOTES:

- PRODUCT NUMBERING CODE:
50006 - X YYY Z
TAIL LENGTH (NOTE 5)
NO. OF POSITIONS (NOTE 2)
PLATING (NOTE 4)
BASE NUMBER
- PRODUCT NUMBERING CODE FOR SELECT LOAD PART NUMBERS:
50006 - XXYYY
SEQUENCE NUMBER
ALWAYS 'XX'
BASE NUMBER
- THIS PRODUCT IS CONFIGURED IN SIZES OF 6 thru 80 COLUMNS IN INCREMENTS OF ONE.
i.e.: 6,7,8,9,.....79,80.
- HOUSING MATERIAL: GLASS AND MINERAL FILLED HIGH TEMP. THERMOPLASTIC. FLAME RETARDANT PER UL94V-0. COLOR: BLACK.
PIN MATERIAL: PHOS BRONZE
- PLATING CONTACT AREA OPTIONS:
1 = 30u"/.76u GOLD
3 = 50u"/1.27u GOLD
5 = 30u"/.76u GXT
- TAIL LENGTH OPTIONS: (±.015/.38)
A = .177/4.5 G = .250/6.35
C = .533/13.54 L = .188/4.78 .062 PCB
D = .733/18.62 P = .470/11.94 .062 PCB/SHROUD
- ∅.0453/1.151 DRILLED HOLE PLATED WITH .0003/.007 MIN. SnPb OVER .001/.03 to .003/.08 Cu. PLATING TO ACHIEVE A ∅.040±.003/1.02±.08 HOLE.
- TO ASSURE PROPER INSTALLATION: TOOLING, AS SPECIFIED IN INSTRUCTION MANUAL 155915-001 MUST BE USED. PIN MATING LENGTH WILL BE ±.002/.05 AFTER INSTALLATION.
- COMPANY NAME, PART NUMBER AND LOT CODE TO APPEAR ON THIS SURFACE PER BUS-12-108.
- FOR DOCUMENTATION MENU, SEE BUS-01-057.
- REFERENCE 50807 FOR F.M.L.B. AVAILABLE OPTIONS AND WORKSHEET.

| | | | | | | | |
|-------------|----------------|---------------------------------------|------|---------------|-------------|---------------------------------------|----------------|
| mat'l. code | | tolerances unless otherwise specified | | CUSTOMER COPY | | FCI Electronics www.fciconnect.com | |
| ltr | ecr no | dr | date | linear | projection | title | |
| H | | | | | | 3 ROW VERTICAL HEADER | |
| | | | | angles | | w/PRESS FIT PINS, 0 G.P. | |
| | | | | dr | D. SHEAFFER | 3/14/91 | product family |
| | | | | enrg | S. CLARK | 3/14/91 | HPC |
| | | | | chr | S. CLARK | 3/14/91 | code |
| | | | | appd | S. CLARK | 3/14/91 | 213 |
| sheet index | revision sheet | | | | | | size |
| | | | | | | | dwg no |
| | | | | | | | 50006 |
| | | | | | | | sheet |
| | | | | | | | 2 of |

cage code
22526

ACAD

PDM: Rev:H

STATUS: Released

Printed: Mar 04, 2005