

# Signetics

## Integrated Circuits – Operational Amplifiers

### LM101 Series – High Performance Operational Amplifier

#### INTRODUCTION

The LM101, LM101A and LM301A are high performance operational amplifiers featuring high gain, short circuit protection, simplified compensation and excellent temperature stability.

#### FEATURES

- Short circuit protection
- Offset voltage null capability
- Large common-mode and differential voltage ranges
- Low power consumption
- No latch up
- LM101, LM101A Mil std 883A,B,C available
- LM101A Mil std 38510 (JAN) planned, Mil std M38510 processing available

#### MAXIMUM RATINGS

PARAMETER	RATING	UNIT
Supply voltage		
LM101, LM101A	$\pm 22$	V
LM301A	$\pm 18$	V
Power dissipation <sup>1</sup>	500	mW
Differential input voltage	$\pm 30$	V
Input voltage <sup>2</sup>	$\pm 15$	V
Output short circuit duration	Indefinite	
Operating temperature range		
LM101, LM101A	-55 to +125	°C
LM301A	0 to +70	°C
Storage temperature range	-65 to +150	°C
Lead temperature (soldering 60sec)	300	°C

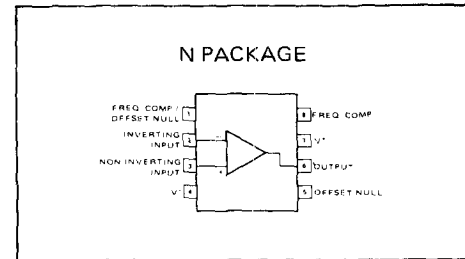
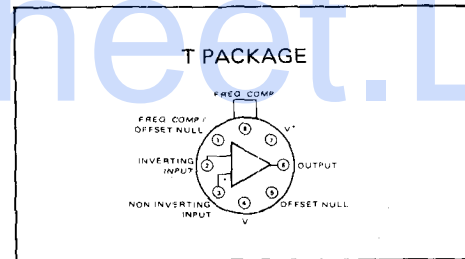
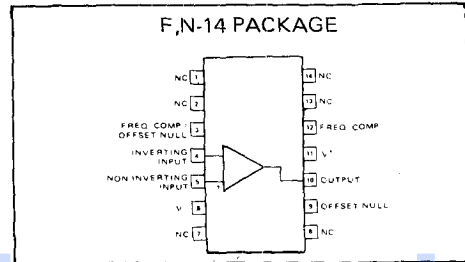
#### NOTES

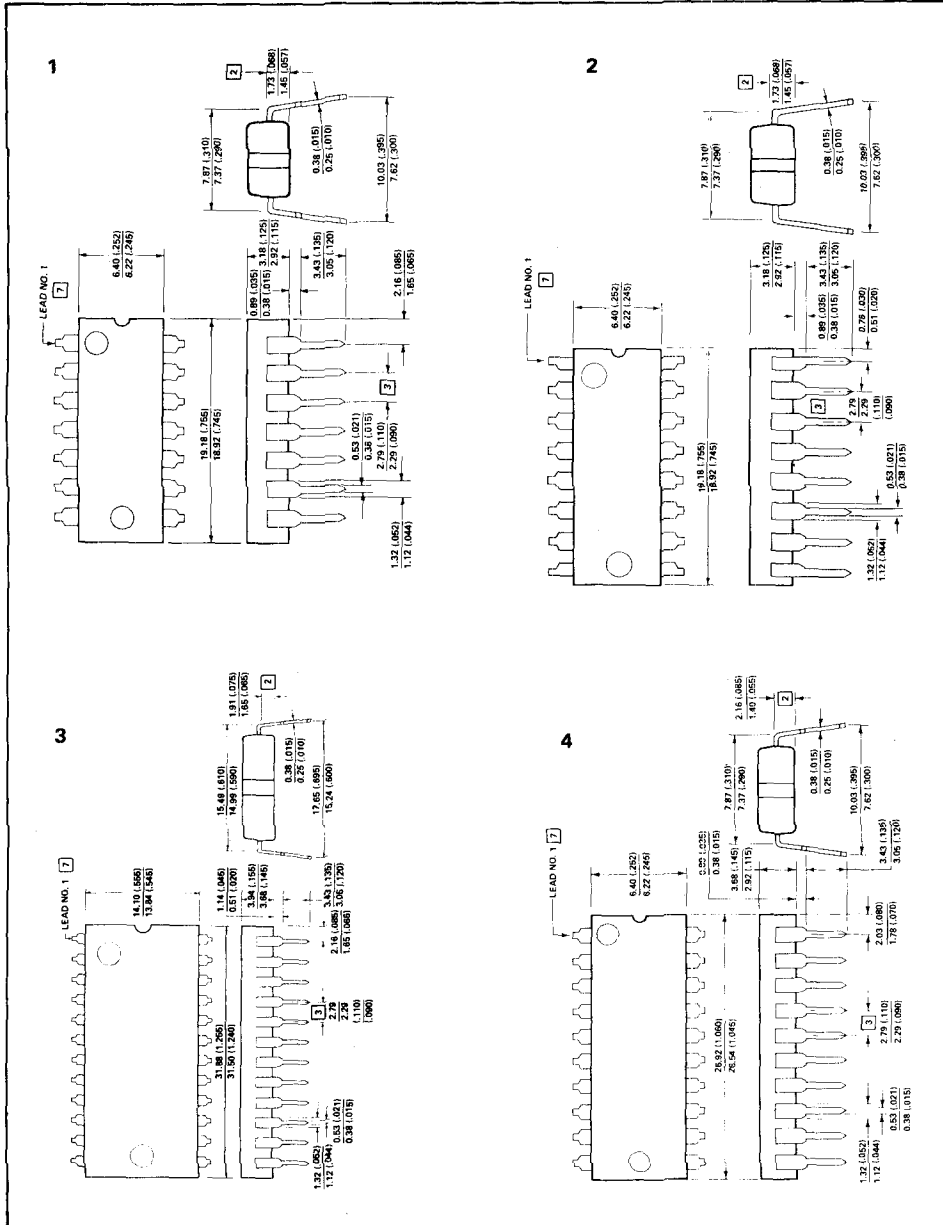
1. Absolute maximum rating holds for all packages. The maximum junction temperature is 150°C for the LM101. For operation at elevated temperatures, derate according to appropriate thermal resistances given under package information.
2. For supply voltages less than  $\pm 15V$ , the absolute maximum input voltage is equal to the supply voltage.

#### REFERENCE TABLE

TYPE NO.	STOCK NO.	OUTLINE DRWG. NO.
LM101F	55888X	1
LM101T	55889R	7
LM101AF	55890A	1
LM101AT	55891X	7
LM301AT	55892H	7
LM301AN	55893F	8
LM301AN-14	55894D	1

#### CONNECTION DIAGRAM





PLEASE QUOTE STOCK NO.  
AND MANUFACTURERS PART NO. WHEN ORDERING

**LIT GEMINI**

# Signetics

## Outline Drawings



**III GEMINI**

FOR CURRENT PRICES PHONE  
HARLOW (0279) 29644

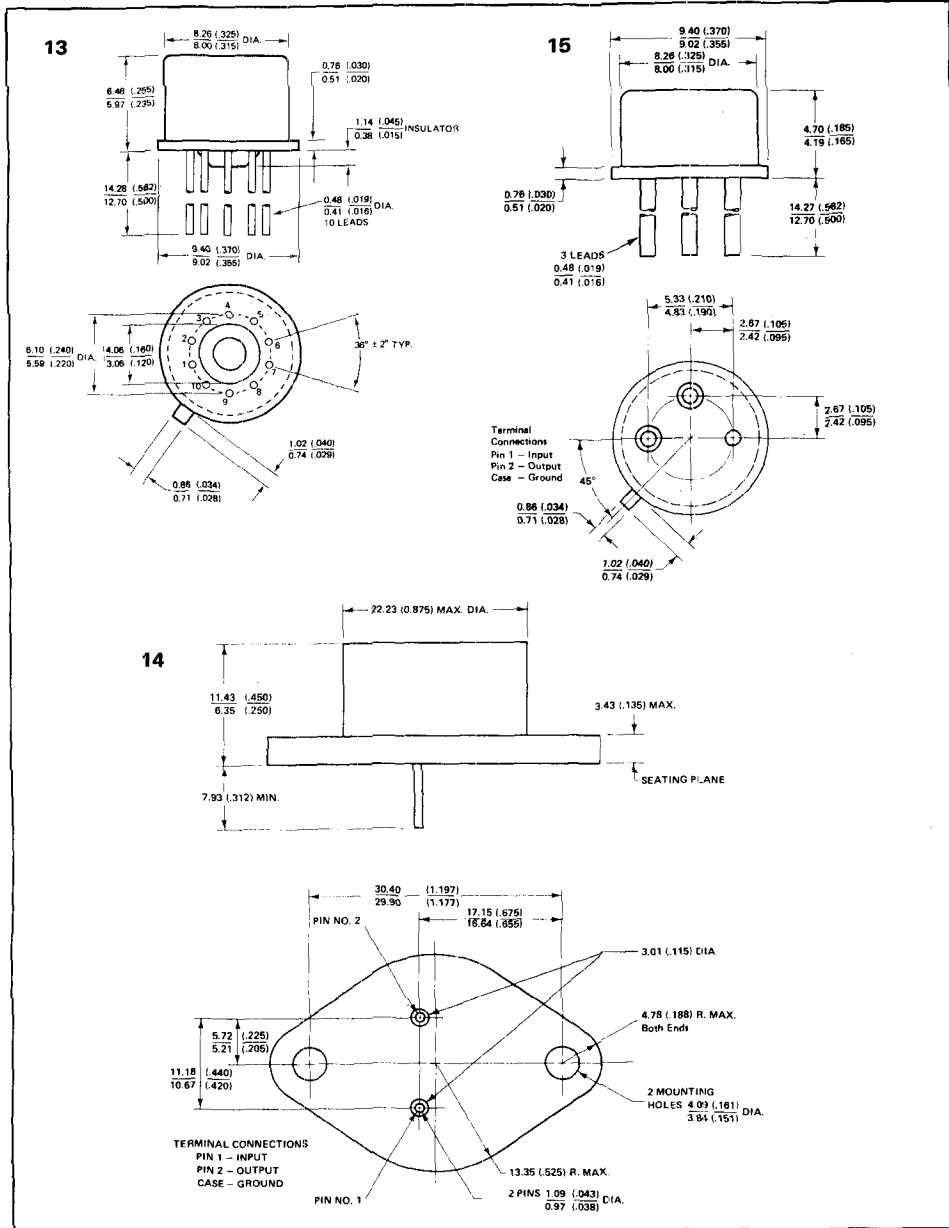


PLEASE QUOTE STOCK NO.  
AND MANUFACTURERS PART NO. WHEN ORDERING

**ITT GEMINI**

# Signetics

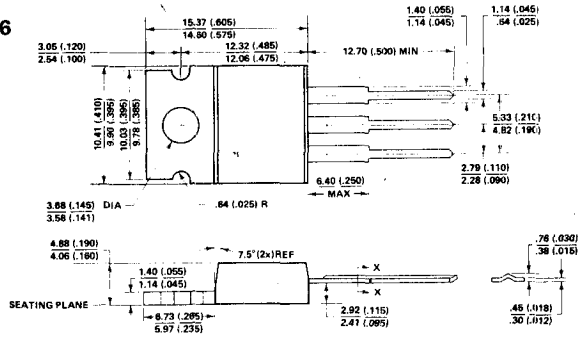
## Outline Drawings



**ITT GEMINI**

FOR CURRENT PRICES PHONE  
HARLOW (0279) 29644

16



17



19



PLEASE QUOTE STOCK NO.  
AND MANUFACTURER PART NO. WHEN ORDERING

**TTT GEMINI**

