

Signetics

Integrated Circuits – Operational Amplifiers

LM101 Series – High Performance Operational Amplifier

INTRODUCTION

The LM101, LM101A and LM301A are high performance operational amplifiers featuring high gain, short circuit protection, simplified compensation and excellent temperature stability.

FEATURES

- Short circuit protection
- Offset voltage null capability
- Large common-mode and differential voltage ranges
- Low power consumption
- No latch up
- LM101, LM101A Mil std 883A,B,C available
- LM101A Mil std 38510 (JAN) planned, Mil std M38510 processing available

MAXIMUM RATINGS

PARAMETER	RATING	UNIT
Supply voltage		
LM101, LM101A	± 22	V
LM301A	± 18	V
Power dissipation ¹	500	mW
Differential input voltage	± 30	V
Input voltage ²	± 15	V
Output short circuit duration	Indefinite	
Operating temperature range		
LM101, LM101A	-55 to +125	°C
LM301A	0 to +70	°C
Storage temperature range	-65 to +150	°C
Lead temperature (soldering 60sec)	300	°C

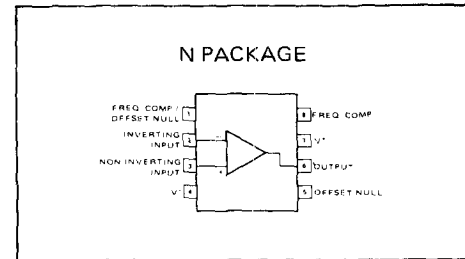
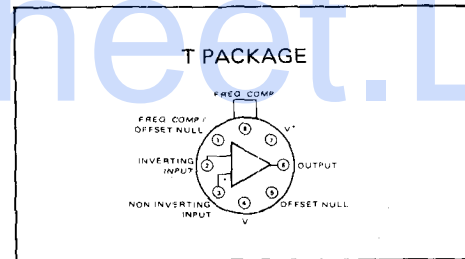
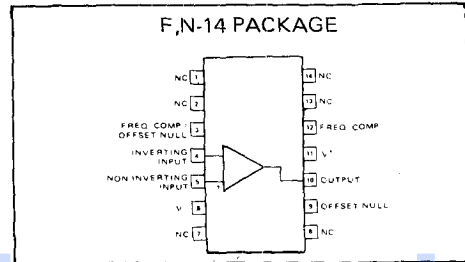
NOTES

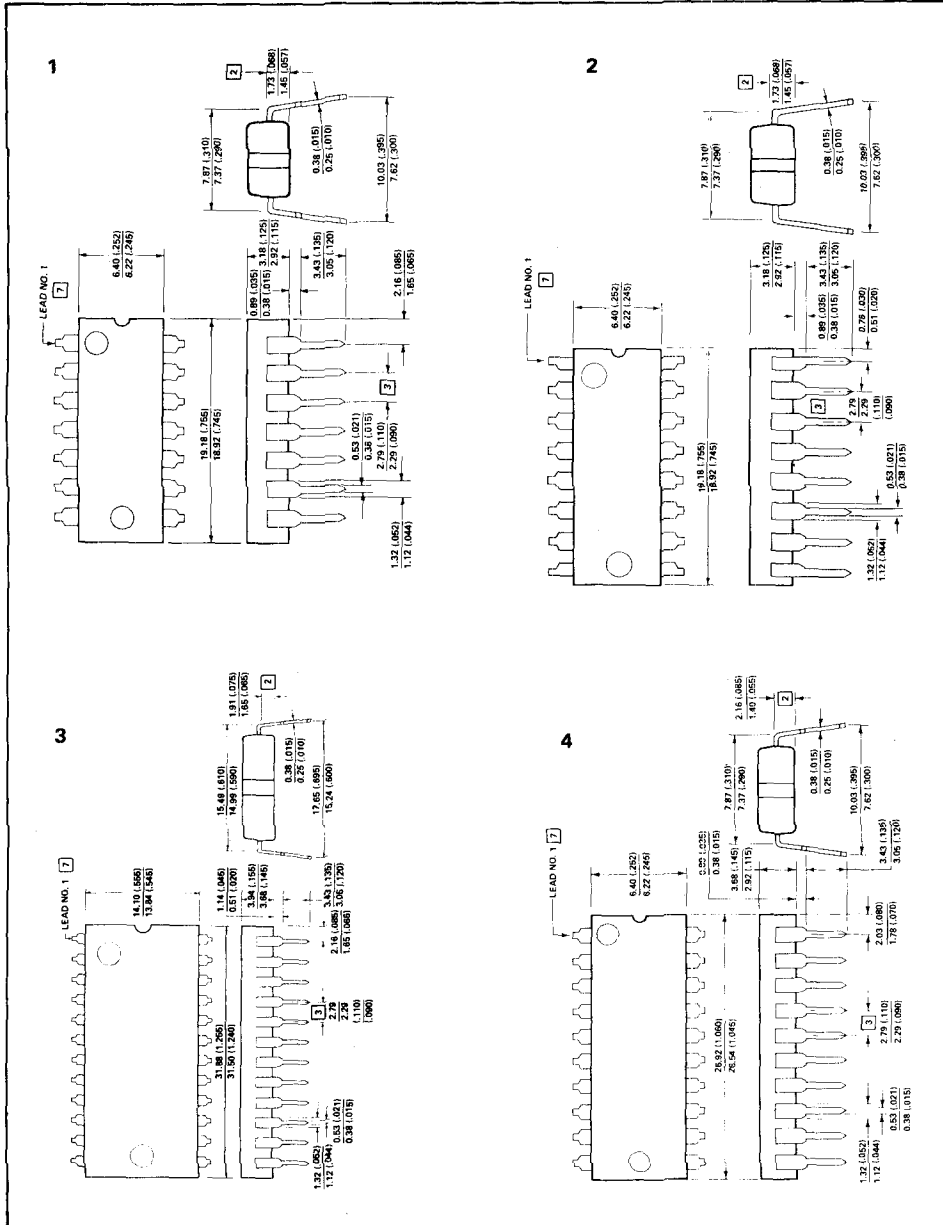
1. Absolute maximum rating holds for all packages. The maximum junction temperature is 150°C for the LM101. For operation at elevated temperatures, derate according to appropriate thermal resistances given under package information.
2. For supply voltages less than $\pm 15V$, the absolute maximum input voltage is equal to the supply voltage.

REFERENCE TABLE

TYPE NO.	STOCK NO.	OUTLINE DRWG. NO.
LM101F	55888X	1
LM101T	55889R	7
LM101AF	55890A	1
LM101AT	55891X	7
LM301AT	55892H	7
LM301AN	55893F	8
LM301AN-14	55894D	1

CONNECTION DIAGRAM





PLEASE QUOTE STOCK NO.
AND MANUFACTURERS PART NO. WHEN ORDERING



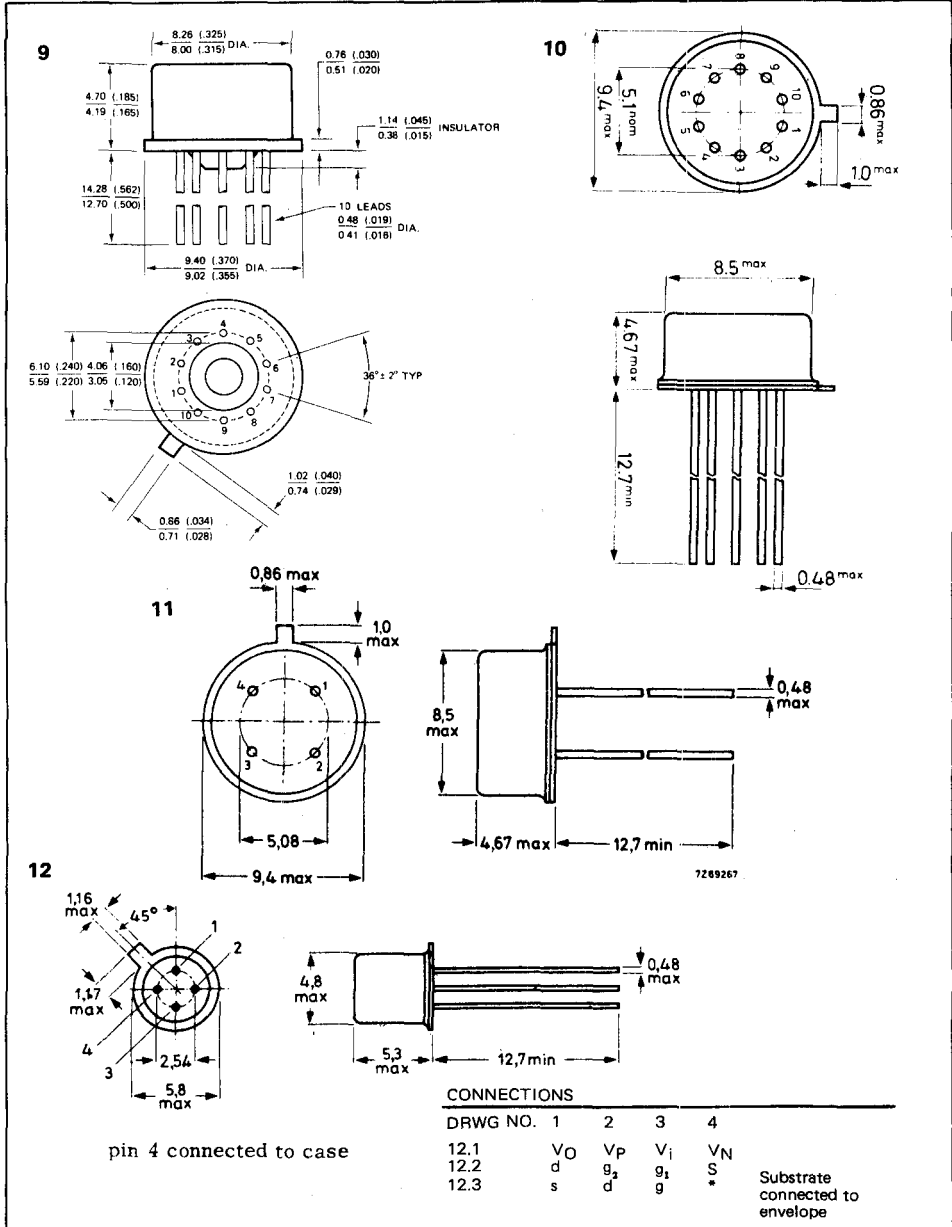
Signetics

Outline Drawings



GEMINI

FOR CURRENT PRICES PHONE
HARLOW (0279) 29644

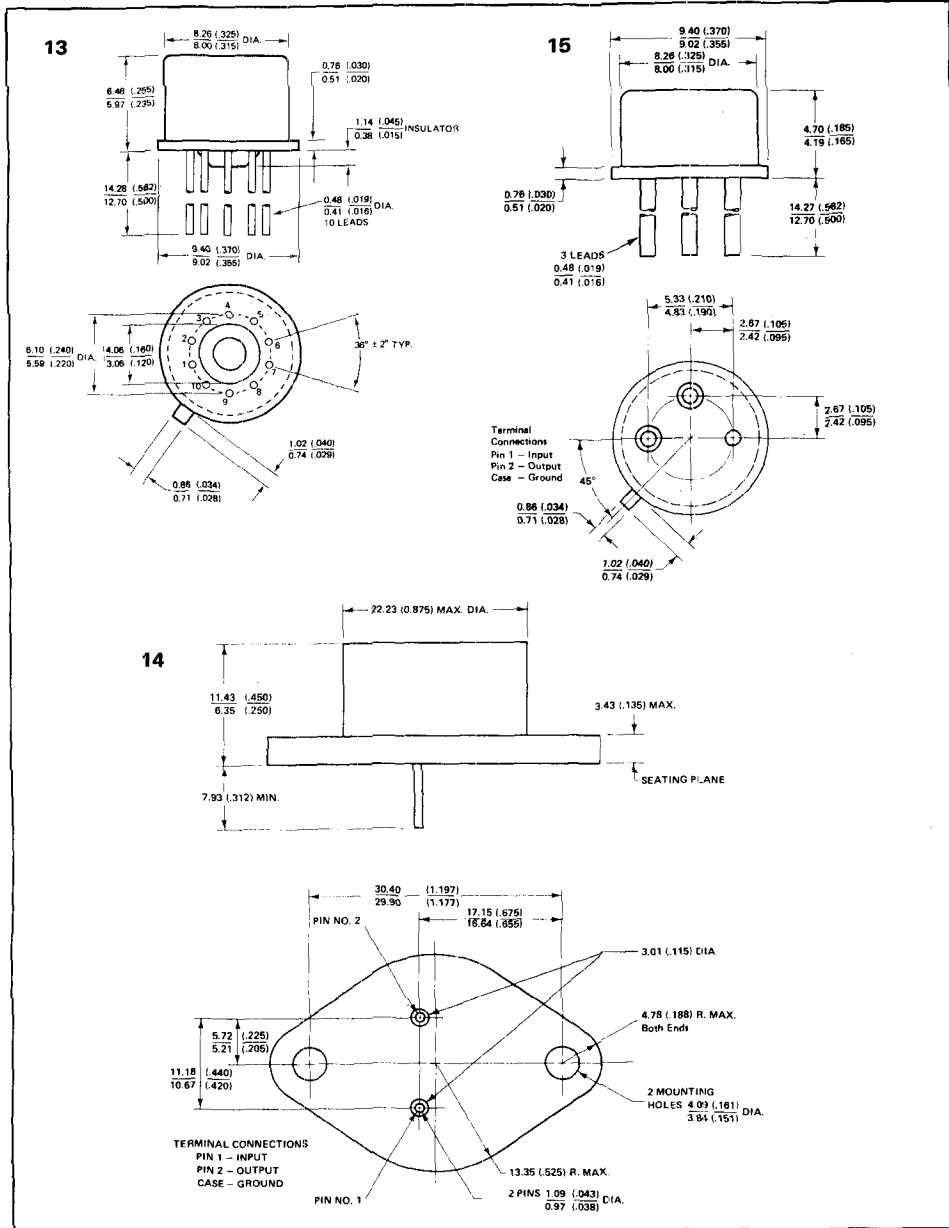


PLEASE QUOTE STOCK NO.
AND MANUFACTURERS PART NO. WHEN ORDERING

ITT GEMINI

Signetics

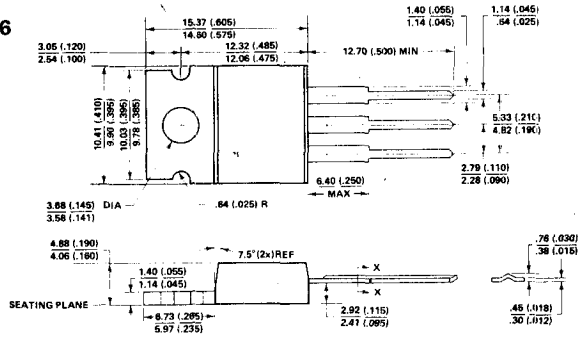
Outline Drawings



ITT GEMINI

FOR CURRENT PRICES PHONE
HARLOW (0279) 29644

16



17



19



PLEASE QUOTE STOCK NO.
AND MANUFACTURER'S PART NO. WHEN ORDERING

TTT GEMINI

