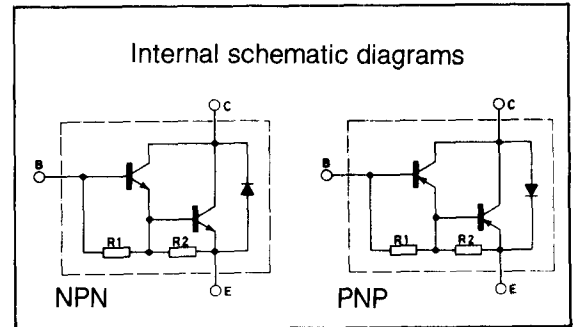


POWER BIPOLAR

EPITAXIAL BASE HIGH GAIN DARLINGTONS

Epitaxial base - $I_{CM} : 2 \rightarrow 30 \text{ A}$, $V_{CEO} : 45 \rightarrow 180 \text{ V}$
 NPN and PNP types
 Medium V_{CEO} range (45 to 180 V)
 Medium switching speed
 Medium f_T (2 to 20 MHz)
 High ruggedness
 Monolithic Darlingtons



I _C (A)	V _{CB0} (V)	V _{CEO} (V)	P _{tot} (W)	Package	Type		h _{FE} @ I _C / V _{CE}			V _{CEsat} @ I _C / I _B		
					NPN	PNP	min	(A)	(V)	(V)	(A)	(mA)
2	45	45	40	TO 126	BD 675	BD 676	750	1.5	3	2.5	1.5	30
2	60	60	50	SOT 82 (1)	SGS 110	SGS 115	1000	1	4	2.5	2	8
2	60	60	50	TO 220	TIP 110	TIP 115	1000	1	4	2.5	2	8
2	80	80	50	SOT 82 (1)	SGS 111	SGS 116	1000	1	4	2.5	2	8
2	80	80	50	TO 220	TIP 111	TIP 116	1000	1	4	2.5	2	8
2	100	100	50	SOT 82 (1)	SGS 112	SGS 117	1000	1	4	2.5	2	8
2	100	100	50	TO 220	TIP 112	TIP 117	1000	1	4	2.5	2	8
4	40	40	40	TO 126	2N 6037	2N 6034	500	0.5	3	2	2	8
4	45	45	40	TO 126	BD 675 A	BD 676 A	750	2	3	2.8	2	40
4	60	60	40	TO 126	2N 6038	2N 6035	500	0.5	3	2	2	8
4	60	60	40	TO 126	BD 677	BD 678	750	1.5	3	2.5	1.5	30
4	60	60	40	TO 126	BD 677 A	BD 678 A	750	2	3	2.8	2	40
4	60	60	40	TO 126	MJE 800	MJE 700	100	4	3	3	4	40
4	60	60	40	TO 126	MJE 801	MJE 701	100	4	3	3	4	40
4	80	80	40	TO 126	2N 6039	2N 6036	500	0.5	3	2	2	8
4	80	80	40	TO 126	BD 679	BD 680	750	1.5	3	2.5	1.5	30
4	80	80	40	TO 126	BD 679 A	BD 680 A	750	2	3	2.8	2	40
4	80	80	40	TO 126	MJE 802	MJE 702	100	4	3	3	4	40
4	80	80	40	TO 126	MJE 803	MJE 703	100	4	3	3	4	40
4	100	100	40	TO 126	BD 681	BD 682	750	1.5	3	2.5	1.5	30
4	180	180	10	TO 39	BDW 91	BDW 92	1000	2	5	2	2	4
5	60	60	65	SOT 82 (1)	SGS 120	SGS 125	1000	3	3	2	3	12
5	60	60	65	TO 220	TIP 120	TIP 125	1000	3	3	2	3	12
5	80	80	65	SOT 82 (1)	SGS 121	SGS 126	1000	3	3	2	3	12
5	80	80	65	TO 220	TIP 121	TIP 126	1000	3	3	2	3	12
5	100	100	65	SOT 82 (1)	SGS 122	SGS 127	1000	3	3	2	3	12
5	100	100	65	TO 220	TIP 122	TIP 127	1000	3	3	2	3	12
6	45	45	50	TO 220	BDW 23	BDW 24	750	2	3	2	2	8
6	60	60	50	TO 220	BDW 23 A	BDW 24 A	750	2	3	2	2	8
6	60	60	60	SOT 82 (1)	BD 331	BD 332	750	3	3	2	3	12
6	80	80	50	TO 220	BDW 23 B	BDW 24 B	750	2	3	2	2	8
6	80	80	60	SOT 82 (1)	BD 333	BD 334	750	3	3	2	3	12
6	100	100	50	TO 220	BDW 23 C	BDW 24 C	750	2	3	2	2	8
6	100	100	60	SOT 82 (1)	BD 335	BD 336	750	3	3	2	3	12
6	140	140	60	TO 220	BDX 53 E	BDX 54 E	500	2	5	2	2	10
6	150	150	15	TO 39	BDX 53 S	BDX 54 S	500	2	5	2	2	8
6	160	160	60	TO 220	BDX 53 F	BDX 54 F	500	2	5	2	2	10
8	40	40	65	TO 220	2N 6386		1000	3	3	2	3	6
8	40	40	65	SOT 82 (1)	SGS 6386		1000	3	3	2	3	6
8	45	45	60	TO 220	BDX 53	BDX 54	750	3	3	2	3	12
8	60	60	60	TO 220	BDX 53 A	BDX 54 A	750	3	3	2	3	12
8	60	60	65	SOT 82 (1)	SGS 130	SGS 135	1000	4	4	2	4	16
8	60	60	70	TO 220	TIP 130	TIP 135	1000	4	4	2	4	16
8	60	60	75	TO 220	2N 6043	2N 6040	1000	4	4	2	4	16
8	60	60	80	TO 220	TIP 100	TIP 105	1000	3	4	2	3	6

(1) Also available in SOT 194 package for SMD.