



**HEWLETT  
PACKARD**

# T-1 3/4 (5mm) LED RIGHT ANGLE INDICATORS

OPTION - 010  
OPTION - 100

SOLID STATE LAMPS

## Features

- IDEAL FOR CARD EDGE STATUS INDICATION
- PACKAGE DESIGN ALLOWS FLUSH SEATING ON A PC BOARD
- MAY BE SIDE STACKED ON 6.35 mm (0.25") CENTERS
- LEDs AVAILABLE IN FOUR COLORS, WITH OR WITHOUT INTEGRATED CURRENT LIMITING RESISTOR IN T-1 3/4 TINTED DIFFUSED PACKAGES
- ADDITIONAL CATALOG LAMPS AVAILABLE AS OPTIONS



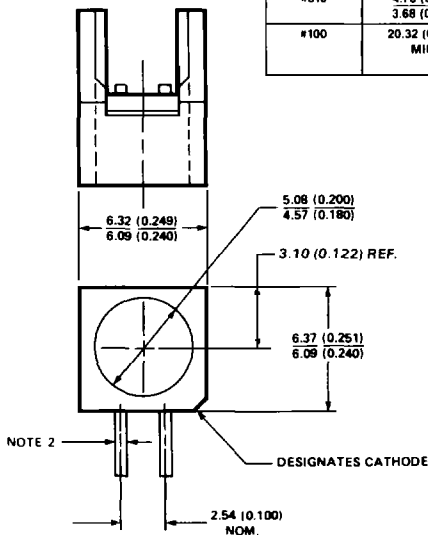
## Description

The T-1 3/4 Option 010 and 100 series of Right Angle Indicators are industry standard status indicators that incorporate a tinted diffused T-1 3/4 LED lamp in a black plastic housing. The indicators are available in standard Red, High Efficiency Red, Yellow, or High Performance

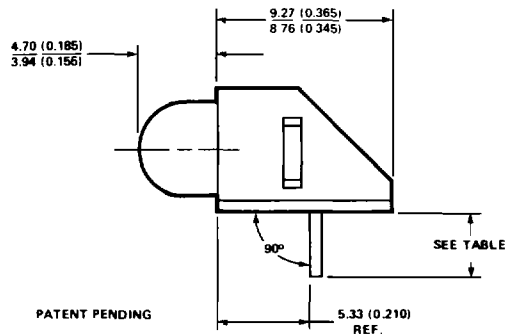
Green with or without an integrated current limiting resistor. These products are designed to be used as back panel diagnostic indicators and card edge logic status indicators.

## Package Dimensions

OPTION NO.	CATHODE LEAD LENGTH	ANODE LEAD LENGTH	
#010	4.70 (0.185) 3.68 (0.145)	4.70 (0.185) 3.68 (0.145)	SHEARED EVEN LEADS
#100	20.32 (0.800) MIN.	1.27 (0.050) NOM LONGER THAN CATHODE	UNSHEARED UNEVEN LEADS



- NOTES:  
1 ALL DIMENSIONS ARE IN MILLIMETRES (INCHES).  
2 LEAD WIDTH MAY BE 0.45 (0.018) OR 0.64 (0.025) SQUARE NOMINAL DEPENDING UPON PRODUCT TYPE.  
3. OPTION 100 IS AVAILABLE FOR LONGER LEADS



## Ordering Information

To order T-1 3/4 high dome lamps in addition to the parts indicated above, select the base part number and add the option code 010 or 100. For example: HLMP-3750-010.

All Hewlett-Packard T-1 3/4 high-dome lamps are available in right angle housing. Contact your local Hewlett-Packard Sales Office or authorized components distributor for additional ordering information.

The Plastic right angle housing may be purchased separately as part number HLMP-5029.

## Absolute Maximum Ratings and Electrical/Optical Characteristics

The absolute maximum ratings and device characteristics are identical to those of the T-1 3/4 LED lamps. For information about these characteristics, see the data sheets of the equivalent T-1 3/4 LED lamp.