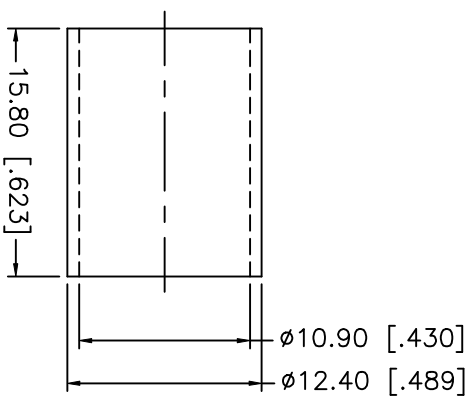
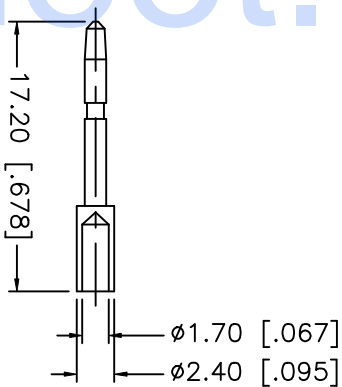
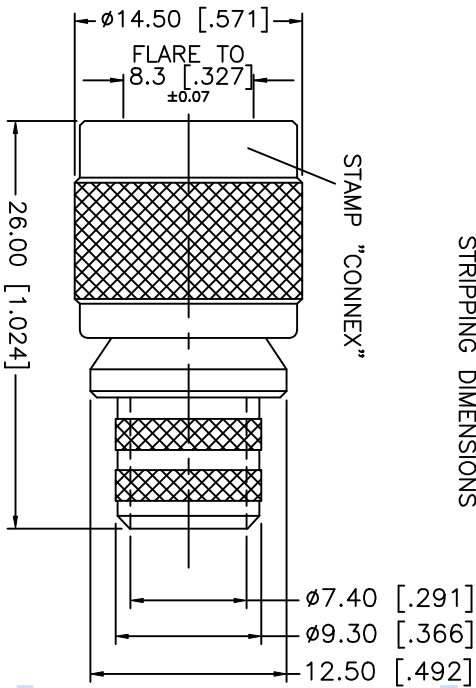
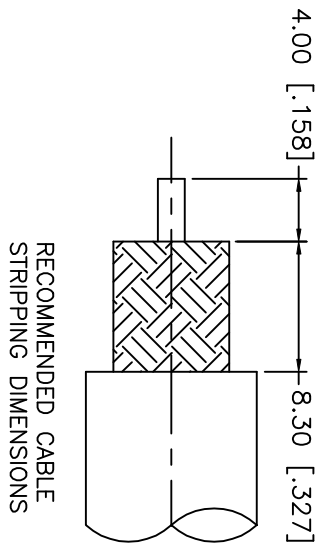


REV.	DATE	DESCRIPTION
A	10/25/99	UPDATE CONTACT PIN



- CRIMP NOTES:
1. CRIMPED FERRULE
HEX CRIMP SIZE .429"
 2. CRIMP CONTACT PIN
HEX CRIMP SIZE .068"

DESCRIPTION	MATERIAL	FINISH	UNLESS OTHERWISE SPECIFIED DIMENSIONS ARE IN MILLIMETERS DIMENSIONS IN [] ARE IN INCHES FOR CUSTOMER REFERENCE ONLY	APPROVALS	DATE	TITLE
1 BODY	BRASS	NICKEL		DRAWN G.R.S.	10/25/99	TNC CRIMP PLUG (FOR BELDEN 9292, 8213, CABLE)
2 INSULATOR	TEFLON	NATURAL				
3 CONTACT PIN	BRASS	GOLD		CHECKED		
4 FERRULE	BRASS	NICKEL		ISSUED		
5						
6						
7						
8						

UNLESS OTHERWISE SPECIFIED DIMENSIONS ARE IN MILLIMETERS DIMENSIONS IN [] ARE IN INCHES FOR CUSTOMER REFERENCE ONLY

UNLESS OTHERWISE SPECIFIED TOLERANCES FOR MILLIMETERS ARE:
0.5-6 = ± 0.2
6-30 = ± 0.4
30-120 = ± 0.6
120-315 = ± 1
315-1000 = ± 1.6
1000-2000 = ± 2.4

DO NOT SCALE DRAWING

Amphenol - Connex
CONNECTOR CORPORATION

TNC CRIMP PLUG
(FOR BELDEN 9292, 8213, CABLE)

SCALE NA PART NO. 122470 SHEET 1 OF 1

REV. NC