

Universal MATE-N-LOK Flanged Cap Housings with Twist and Lock Feature

Product Facts

- Available in a 6, 9, and 12 circuit design
- Designed for household appliances where a bulkhead connector system is needed in conjunction with foam-in insulation
- Mates with standard Universal MATE-N-LOK plug housings (page 23)
- Accepts Universal MATE-N-LOK pin and socket contacts (page 28)
- Designed to utilize the Splash Proof/Sealed Universal MATE-N-LOK seals for additional sealing protection (page 27)



Photo 110793-2

Universal MATE-N-LOK Connectors

Material and Finish

Housing — Nylon, UL 94V-0 or UL 94V-2 rated

Contacts — Phosphor Bronze or Brass

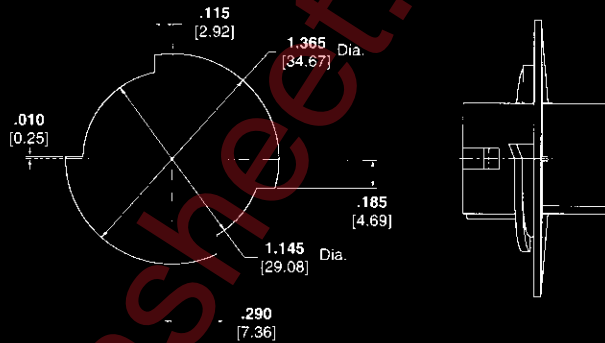
Plating — Pre-tin or Gold

Related Product Data

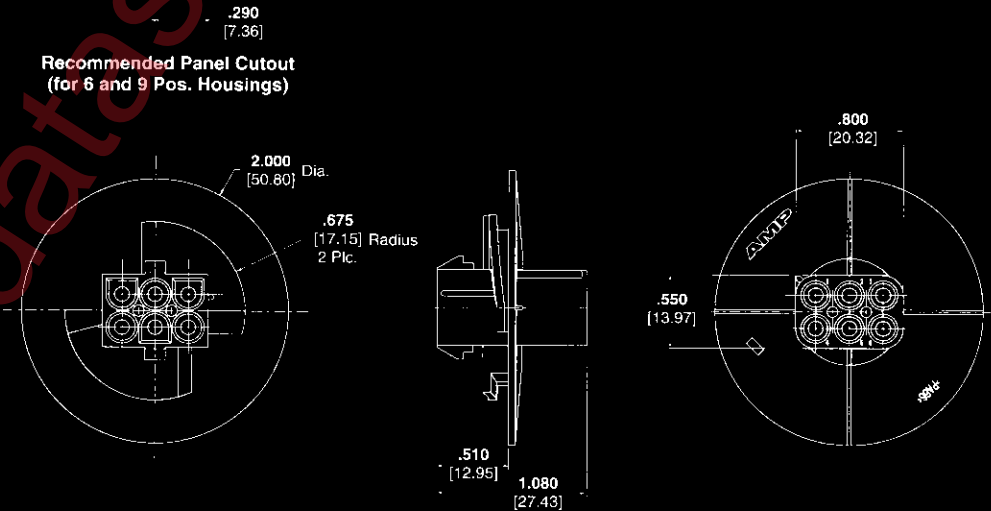
Contacts — Pages 21 and 22

Plug Housings — Page 23

Seals — Page 27



**Recommended Panel Cutout
(for 6 and 9 Pos. Housings)**



Notes:

1. Recommended Panel Thickness: 0.76-2.29 [0.30-.090]
2. Panel must be punched so that the housing enters the panel in the same direction as the punch.
3. Asymmetrical panel cutout provides polarization for Pin 1 location.

Number of Circuits	Cap Housing Part Numbers	
	UL 94V-0	UL 94V-2
6	794760-1	794714-1
9	794761-1	794715-1
12	794762-1	794716-1