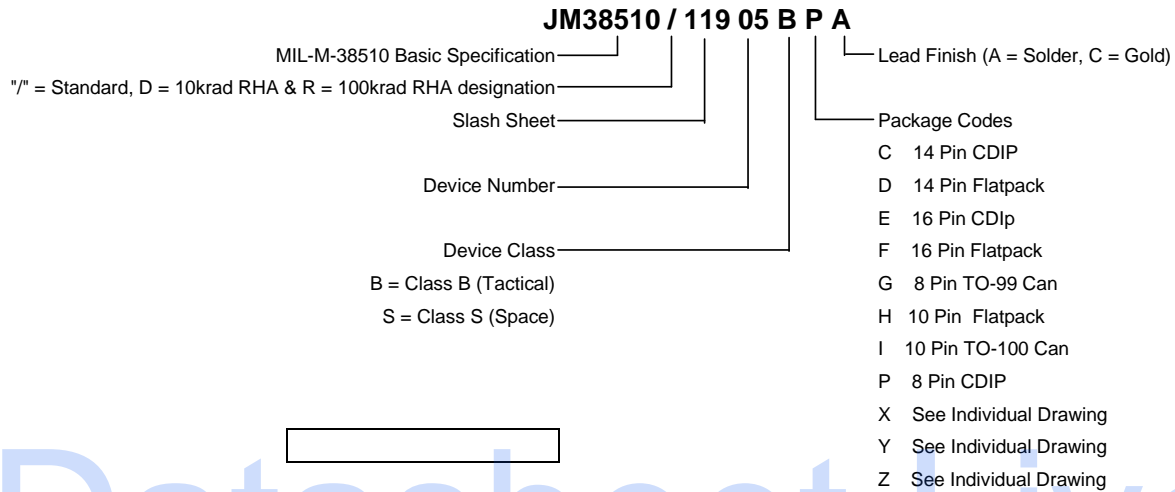


NATIONAL SEMICONDUCTOR STANDARD MICROCIRCUIT DRAWING CROSS REFERENCE

1/16/98

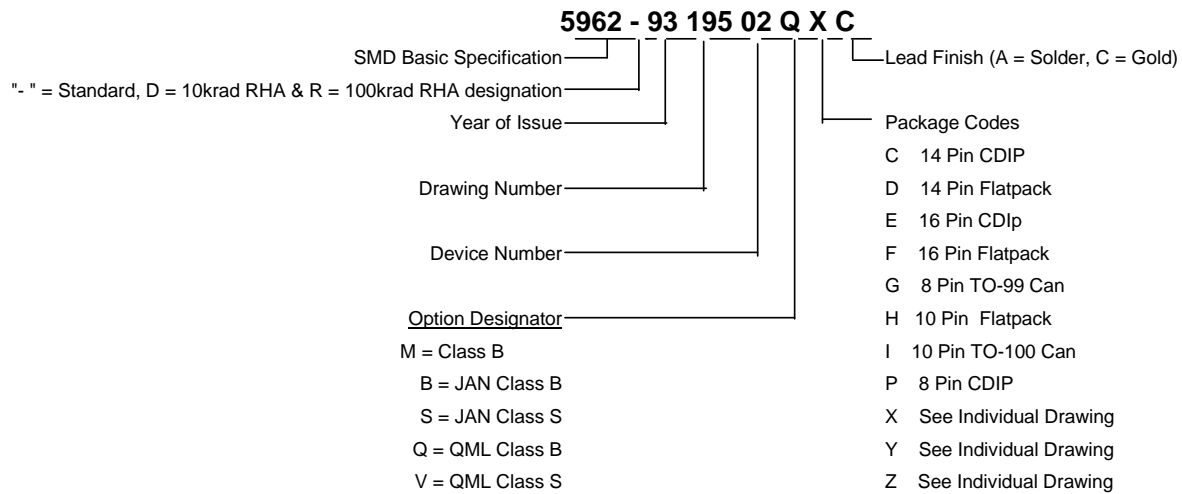
Part Numbering Guides

Jan Product:



Standard Military Drawing:

Datasheet.Live



NATIONAL'S CASE OUTLINE/PACKAGE DESIGNATORS

- | | |
|------------------|------------------|
| A = 14 LEAD FLAT | J = 24 LEAD DIP |
| B = 14 LEAD FLAT | K = 24 LEAD FLAT |
| C = 14 LEAD DIP | L = 24 LEAD DIP |
| D = 14 LEAD FLAT | P = 8 LEAD DIP |
| E = 16 LEAD DIP | Q = 40 LEAD DIP |
| F = 16 LEAD FLAT | R = 20 LEAD DIP |

NATIONAL SEMICONDUCTOR STANDARD MICROCIRCUIT DRAWING CROSS REFERENCE

G = 8 LEAD CAN S = 20 LEAD FLAT
 H = 10 LEAD FLAT 2 = 20 OR 24 TERMINAL LCC
 I = 10 OR 12 LEAD CAN 3 = 28,44,52,68 OR 84 TERMINAL LCC

NOTE: THE LETTERS X, Y, Z, U, T, N AND M ARE USED FOR NON STANDARD PACKAGES NOT IDENTIFIED IN MIL-STD-1835. SEE SPECIFIC SMD NUMBE

GENERAL NOTES:

- 1) MOST GENERIC NUMBERS WITH SUFFIX "/883" AND "-QML" ARE DUAL MARKED WITH SMD AND GENERIC NUMBERS.
- 2) GENERIC PARTS WITH SUFFIX "-SMD" ARE SINGLE MARKED WITH THE SMD NUMBER ONLY.(EXAMPLE: LM113H-SMD)
 THIS SMD PRODUCT IS SINGLE MARKED BECAUSE OF PACKAGE SIZE LIMITATIONS (P) OR ELECTRICAL (E) DIFFERENCES TO TH
 P = PACKAGE SIZE LIMITATIONS, CAN MARK ONLY WITH SMD NUMBER
 E = ELECTRICALS DIFFERENT FROM NATIONAL'S STANDARD /883 DEVICE.

PROPOSED/FUTURE SMD'S Q LEVEL PRODUCT (B LEVEL)

NATIONAL NSID	SMD/JAN DRAWING NO.
LM12438MWG-QML	5962-9651101QXA
LM12H458MWG/883	5962-9319502QZA
LM2595J-12-QML	5962-9650201QEA
LM2595J-3.3-QML	5962-9687901QEA
LM2595J-5.0-QML	5962-9650301QEA
LM2595WG12-QML	5962-9650201QXA
LM2595WG3.3-QML	5962-9687901QXA
LM2595WG5.0-QML	5962-9650301QXA
LM2595WGADJ-QML	5962-9650401QXA
LM35BH-QML	5962-9688501QXA
LM3940J-3.3-QML	5962-9688401QEA
LMC6442AMJ-QML	5962-9761301QPA
LMC6442AMWG-QML	5962-9761301QXA

FUTURE V LEVEL PRODUCT (SPACE LEVEL)

NATIONAL NSID	SMD/JAN DRAWING NO.
DS16F95QMLV	5962-89615
DS26F31J/W QMLV	5962-7802302
DS26F32J/W QMLV	5962-7802005
LM117HVH-QMLV	TBD
LM117HVK-QMLV	TBD
LM6172AMJ-QMLV	5962-9560401VPA

NOTE: CHANGES FROM PREVIOUS ISSUE OF THIS LIST ARE DENOTED WITH PLUS SIGN (+)

SORT BY SMD/JAN DRAWING NUMBER		SMD/ JAN REV	PACKAGE TYPE OR SINGLE MARK REASON	COMMENTS
SMD/JAN DRAWING NO.	NATIONAL NSID		(P =PKG LIMITATION) (E = ELECT NON-STD)	
5962-3870501BGA	JL2951BGA	C		
5962-3870501BPA	JL2951BPA	C		
5962-3870501M2A	LP2951E/883	C		
5962-3870501MGA	LP2951H/883	C		
5962-3870501MPA	LP2951J/883	C		
5962-3870501S2A	JL2951S2A	C		
5962-3870501SGA	JL2951SGA	C		
5962-3870501SPA	JL2951SPA	C		
5962-7802005M2A	DS26F32ME/883	L		
5962-7802005MEA	DS26F32MJ/883	L		
5962-7802005MFA	DS26F32MW/883	L		
5962-7802006Q2A	DS26LS32ME/883	L		
5962-7802006QEA	DS26LS32MJ/883	L		
5962-7802006QFA	DS26LS32MW/883	L		

NATIONAL SEMICONDUCTOR STANDARD MICROCIRCUIT DRAWING CROSS REFERENCE

5962-7802301MEA	DS26LS31MJ-SMD	L	E	
5962-7802301MFA	DS26LS31MW-SMD	L	E	
5962-7802301Q2A	DS26LS31ME-SMD	L	E	
5962-7802301VEA	DS26LS31MJ-QMLV	L	E	
5962-7802301VFA	DS26LS31MW-QMLV	L	E	
5962-7802302M2A	DS26F31ME/883	L		
5962-7802302MEA	DS26F31MJ/883	L		
5962-7802302MFA	DS26F31MW/883	L		
5962-8550101CA	CD40106BMJ/883	A		
5962-86071012A	54F164ALMQB	B		
5962-8607101CA	54F164ADMQB	B		
5962-8607101DA	54F164AFMQB	B		
5962-86072012A	54F169LMQB	C		
5962-8607201EA	54F169DMQB	C		
5962-8607201FA	54F169FMQB	C		
5962-86074012A	54F322LMQB	B		
5962-8607401RA	54F322DMQB	B		
5962-8607401SA	54F322FMQB	B		LIFETIME BUY TILL 9-9-98
5962-86710023A	54F181LMQB	A		
5962-8671002JA	54F181DMQB	A		
5962-8671101XA	LM113H-SMD	B	P	X=2 LEAD TO46
5962-8671102XA	LM113-1H-SMD	B	P	X=2 LEAD TO46
5962-8671103XA	LM113-2H-SMD	B	P	X=2 LEAD TO46
5962-8672101EA	DS1691AJ-SMD	B	E	
5962-86834012A	54F243LMQB	-	E	SINGLE MARKED H123598A
5962-8683401CA	54F243DMQB	-	E	SINGLE MARKED H123596A
5962-8683401DA	54F243FMQB	-	E	SINGLE MARKED H123597A
5962-86847022A	MM54HC123AE/883	B		
5962-8684702EA	MM54HC123AJ/883	B		
5962-8752101VA	MM54C922J/883	A		
5962-87522012A	DS9622ME/883	A		
5962-8752201AA	DS9622MW/883	A		LIFETIME BUY TILL 9-9-98
5962-8752201CA	DS9622MJ/883	A		
5962-8752301PA	DS9636AJ/883	A		
5962-8752401PA	DS9637AMJ/883	A		
5962-8752501B2A	JM54ACT74B2A	B +		
5962-8752501BCA	JM54ACT74BCA	B +		
5962-8752501BDA	JM54ACT74BDA	B +		
5962-8752501M2A	54ACT74LMQB	B +		
5962-8752501MCA	54ACT74DMQB	B +		
5962-8752501MDA	54ACT74FMQB	B +		
5962-8752501S2A	JM54ACT74S2A	B +		
5962-8752501SCA	JM54ACT74SCA	B +		
5962-8752501SDA	JM54ACT74SDA	B +		
5962R8752501SCA +	JM54ACT74SCA-RH	B +		
5962R8752501SDA +	JM54ACT74SDA-RH	B +		
5962R8752501S2A +	JM54ACT74S2A-RH	B +		
5962R8752501BCA +	JM54ACT74BCA-RH	B +		
5962R8752501BDA +	JM54ACT74BDA-RH	B +		
5962R8752501B2A +	JM54ACT74B2A-RH	B +		
5962-8754501CA	LM760J/883	A		
5962-8754501GA	LM760H/883	A		
5962-8754601PA	DS9638J/883	-		
5962-87549012A	54AC00LMQB	C		
5962-8754901CA	54AC00DMQB	C		
5962-8754901DA	54AC00FMQB	C		
5962-87550012A	54AC240LMQB	A		
5962-8755001RA	54AC240DMQB	A		
5962-8755001SA	54AC240FMQB	A		
5962-87551012A	54AC241LMQB	B		
5962-8755101RA	54AC241DMQB	B		
5962-8755101SA	54AC241FMQB	B		
5962-87552012A	54AC244LMQB	C		
5962-8755201RA	54AC244DMQB	C		
5962-8755201SA	54AC244FMQB	C		
5962-87553012A	54ACT139LMQB	-		
5962-8755301EA	54ACT139DMQB	-		
5962-8755301FA	54ACT139FMQB	-		
5962-8755401B2A	JM54ACT138B2A	C +		
5962-8755401BEA	JM54ACT138BEA	C +		
5962-8755401BFA	JM54ACT138BFA	C +		

NATIONAL SEMICONDUCTOR STANDARD MICROCIRCUIT DRAWING CROSS REFERENCE

5962-8755401M2A	54ACT138LMQB	C +		
5962-8755401MEA	54ACT138DMQB	C +		
5962-8755401MFA	54ACT138FMQB	C +		
5962-8755401S2A	JM54ACT138S2A	C +		
5962-8755401SEA	JM54ACT138SEA	C +		
5962-8755401SFA	JM54ACT138SFA	C +		
5962R8755401SEA +	JM54ACT138SEA-R	C +		
5962R8755401SFA +	JM54ACT138SFA-R	C +		
5962R8755401S2A +	JM54ACT138S2A-R	C +		
5962R8755401BEA +	JM54ACT138BEA-R	C +		
5962R8755401BFA +	JM54ACT138BFA-R	C +		
5962R8755401B2A +	JM54ACT138B2A-R	C +		
5962-87555012A	54AC373LMQB	A		
5962-8755501RA	54AC373DMQB	A		
5962-8755501SA	54AC373FMQB	A		
5962-87556012A	54ACT373LMQB	A		
5962-8755601RA	54ACT373DMQB	A		
5962-8755601SA	54ACT373FMQB	A		
5962-8757203CA +	LM161J-SMD	A	E- LIFETIME BUY 12-8-98	
5962-8757203IA +	LM161H-SMD	A	E- LIFETIME BUY 12-8-98	
5962-87594012A	LM185E-1.2/883	B		
5962-8759401XA	LM185H-1.2-SMD	B	P	X=2 LEAD TO46
5962-87594022A	LM185E-2.5/883	B		
5962-8759402XA	LM185H-2.5-SMD	B	P	X=2 LEAD TO46
5962-8759405XA	LM185BYH1.2-SMD	B	P	X=2 LEAD TO46
5962-8759406XA	LM185BYH2.5-SMD	B	P	X=2 LEAD TO46
5962-8760401GA	LM10H/883	C		
5962-8760601CA +	LM110J/883	A	LIFETIME BUY TILL 12-8-98	
5962-8760601GA +	LM110H/883	A	LIFETIME BUY TILL 12-8-98	
5962-8760601PA +	LM110J-8/883	A	LIFETIME BUY TILL 12-8-98	
5962-8760801GA	LF198H-SMD	C	E	
5962-87609012A	54AC04LMQB	B		
5962-8760901CA	54AC04DMQB	B		
5962-8760901DA	54AC04FMQB	B		
5962-87610012A	54AC10LMQB	A		
5962-8761001CA	54AC10DMQB	A		
5962-8761001DA	54AC10FMQB	A		
5962-87611012A	54AC11LMQB	A		
5962-8761101CA	54AC11DMQB	A		
5962-8761101DA	54AC11FMQB	A		
5962-87612012A	54AC02LMQB	B		
5962-8761201CA	54AC02DMQB	B		
5962-8761201DA	54AC02FMQB	B		
5962-87613012A	54AC20LMQB	-		
5962-8761301CA	54AC20DMQB	-		
5962-8761301DA	54AC20FMQB	-		
5962-87614012A	54AC32LMQB	B+		
5962-8761401CA	54AC32DMQB	B+		
5962-8761401DA	54AC32FMQB	B+		
5962-87615012A	54AC08LMQB	B		
5962-8761501CA	54AC08DMQB	B		
5962-8761501DA	54AC08FMQB	B		
5962-87622012A	54AC138LMQB	A		
5962-8762201EA	54AC138DMQB	A		
5962-8762201FA	54AC138FMQB	A		
5962-87623012A	54AC139LMQB	-		
5962-8762301EA	54AC139DMQB	-		
5962-8762301FA	54AC139FMQB	-		
5962-87624012A	54AC14LMQB	-		
5962-8762401CA	54AC14DMQB	-		
5962-8762401DA	54AC14FMQB	-		
5962-87625012A	54AC153LMQB	A		
5962-8762501EA	54AC153DMQB	A		
5962-8762501FA	54AC153FMQB	A		
5962-87626012A	54AC174LMQB	-		
5962-8762601EA	54AC174DMQB	-		
5962-8762601FA	54AC174FMQB	-		
5962-87627012A	54FCT377LMQB	B		
5962-8762701RA	54FCT377DMQB	B		
5962-8762701SA	54FCT377FMQB	B		
5962-87628012A	54FCT374LMQB	C		

NATIONAL SEMICONDUCTOR STANDARD MICROCIRCUIT DRAWING CROSS REFERENCE

5962-8762801RA	54FCT374DMQB	C	
5962-8762801SA	54FCT374FMQB	C	
5962-87629012A	54FCT245LMQB	C	
5962-8762901RA	54FCT245DMQB	C	
5962-8762901SA	54FCT245FMQB	C	
5962-87630012A	54FCT244LMQB	B	
5962-8763001RA	54FCT244DMQB	B	
5962-8763001SA	54FCT244FMQB	B	
5962-87631012A	54ACT374LMQB	A	
5962-8763101RA	54ACT374DMQB	A	
5962-8763101SA	54ACT374FMQB	A	
5962-87644012A	54FCT373LMQB	A	
5962-8764401RA	54FCT373DMQB	A	
5962-8764401SA	54FCT373FMQB	A	
5962-87654012A	54FCT138LMQB	B	
5962-8765401EA	54FCT138DMQB	B	
5962-8765401FA	54FCT138FMQB	B	
5962-87655012A	54FCT240LMQB	A	
5962-8765501RA	54FCT240DMQB	A	
5962-8765501SA	54FCT240FMQB	A	
5962-87656012A	54FCT273LMQB	A	
5962-8765601RA	54FCT273DMQB	A	
5962-8765601SA	54FCT273FMQB	A	
5962-8766301B2A	JM54ACT245B2A	B	
5962-8766301BRA	JM54ACT245BRA	B	
5962-8766301BSA	JM54ACT245BSA	B	
5962-8766301M2A	54ACT245LMQB	B	
5962-8766301MRA	54ACT245DMQB	B	
5962-8766301MSA	54ACT245FMQB	B	
5962-8766301S2A	JM54ACT245S2A	B	
5962-8766301SRA	JM54ACT245SRA	B	
5962-8766301SSA	JM54ACT245SSA	B	
5962-87664012A	54ACT573LMQB	-	
5962-8766401RA	54ACT573DMQB	-	
5962-8766401SA	54ACT573FMQB	-	
5962-8767401CA +	LM160J-14/883	-	LIFETIME BUY TILL 12-8-98
5962-8767401GA +	LM160H/883	-	LIFETIME BUY TILL 12-8-98
5962-8767401PA +	LM160J/883	-	LIFETIME BUY TILL 12-8-98
5962-8767501XA	LM150K/883	C	X= 2 LEAD TO3
5962-87691012A	54AC151LMQB	-	
5962-8769101EA	54AC151DMQB	-	
5962-8769101FA	54AC151FMQB	-	
5962-87692012A	54AC251LMQB	-	
5962-8769201EA	54AC251DMQB	-	
5962-8769201FA	54AC251FMQB	-	
5962-87693012A	54AC253LMQB	-	
5962-8769301EA	54AC253DMQB	-	
5962-8769301FA	54AC253FMQB	-	
5962-87694012A	54AC374LMQB	-	
5962-8769401RA	54AC374DMQB	-	
5962-8769401SA	54AC374FMQB	-	
5962-87695012A	54AC540LMQB	-	
5962-8769501RA	54AC540DMQB	-	
5962-8769501SA	54AC540FMQB	-	
5962-8769701B2A	JM54ACT377B2A	B	
5962-8769701BRA	JM54ACT377BRA	B	
5962-8769701BSA	JM54ACT377BSA	B	
5962-8769701M2A	54ACT377LMQB	B	
5962-8769701MRA	54ACT377DMQB	B	
5962-8769701MSA	54ACT377FMQB	B	
5962-8769701S2A	JM54ACT377S2A	B	
5962-8769701SRA	JM54ACT377SRA	B	
5962-8769701SSA	JM54ACT377SSA	B	
5962-87698012A	54ACT153LMQB	-	
5962-8769801EA	54ACT153DMQB	-	
5962-8769801FA	54ACT153FMQB	-	
5962-8769901B2A	JM54ACT00B2A	B	
5962-8769901BCA	JM54ACT00BCA	B	
5962-8769901BDA	JM54ACT00BDA	B	
5962-8769901M2A	54ACT00LMQB	B	
5962-8769901MCA	54ACT00DMQB	B	

NATIONAL SEMICONDUCTOR STANDARD MICROCIRCUIT DRAWING CROSS REFERENCE

5962-8769901MDA	54ACT00FMQB	B			
5962-8769901S2A	JM54ACT00S2A	B			
5962-8769901SCA	JM54ACT00SCA	B			
5962-8769901SDA	JM54ACT00SDA	B			
5962-8771001GA	LM158H-SMD	A	P		
5962-8771001PA	LM158J/883	A			
5962-8771002GA	LM158AH-SMD	A	P		
5962-8771002PA	LM158AJ/883	A			
5962-8771002VGA	LM158AH-QMLV	B			
5962-8771002VPA	LM158AJ-QMLV	B			
5962-8771002VPA	LM158AJ-QMLV	B			
5962-87739012A	LM139AE-SMD	C +	E		
5962-8773901CA	LM139AJ-SMD	C +	E		
5962-8773901DA	LM139AW-SMD	C +	E		
5962-8773901XA	LM139AWG-SMD	C +	E	PENDING	X = 14 LEAD GULL WING
5962-87756012A	54AC273LMQB	-			
5962-8775601RA	54AC273DMQB	-			
5962-8775601SA	54AC273FMQB	-			
5962-87757012A	54ACT174LMQB	-			
5962-8775701EA	54ACT174DMQB	-			
5962-8775701FA	54ACT174FMQB	-			
5962-87758012A	54AC245LMQB	A			
5962-8775801RA	54AC245DMQB	A			
5962-8775801SA	54AC245FMQB	A			
5962-8775901B2A	JM54ACT240B2A	A			
5962-8775901BRA	JM54ACT240BRA	A			
5962-8775901BSA	JM54ACT240BSA	A			
5962-8775901M2A	54ACT240LMQB	A			
5962-8775901MRA	54ACT240DMQB	A			
5962-8775901MSA	54ACT240FMQB	A			
5962-8775901S2A	JM54ACT240S2A	A			
5962-8775901SRA	JM54ACT240SRA	A			
5962-8775901SSA	JM54ACT240SSA	A			
5962-8776001B2A	JM54ACT244B2A	C			
5962-8776001BRA	JM54ACT244BRA	C			
5962-8776001BSA	JM54ACT244BSA	C			
5962-8776001M2A	54ACT244LMQB	C			
5962-8776001MRA	54ACT244DMQB	C			
5962-8776001MSA	54ACT244FMQB	C			
5962-8776001S2A	JM54ACT244S2A	C			
5962-8776001SRA	JM54ACT244SRA	C			
5962-8776001SSA	JM54ACT244SSA	C			
5962-87761012A	54ACT253LMQB	-			
5962-8776101EA	54ACT253DMQB	-			
5962-8776101FA	54ACT253FMQB	-			
5962-8777401YA	LM109K-SMD	-	E		Y=2 LEAD TO4
5962-8777701XA	LM194H/883	A			X=6 LEAD TO5
5962-8777801XA	LM195H/883	-			X=3 LEAD TO3
5962-8777801YA	LM195K/883	-			Y=2 LEAD TO3
5962-88520012A	54AC74LMQB	-			
5962-8852001CA	54AC74DMQB	-			
5962-8852001DA	54AC74FMQB	-			
5962-88534012A	54ACT109LMQB	-			
5962-8853401EA	54ACT109DMQB	-			
5962-8853401FA	54ACT109FMQB	-			
5962-88543012A	54FCT521LMQB	B			
5962-8854301RA	54FCT521DMQB	B			
5962-8854301SA	54FCT521FMQB	B			
5962-88550012A	54F273LMQB	B			
5962-8855001RA	54F273DMQB	B			
5962-8855001SA	54F273FMQB	B			
5962-88555012A	54F378LMQB	B		LIFETIME BUY 9-9-98	
5962-8855501EA	54F378DMQB	B			
5962-8855501FA	54F378FMQB	B			
5962-8856101XA	LM199AH-SMD	A	P		X=4 LEAD TO46
5962-8856102XA	LM199H-SMD	A	P	LIFETIME BUY 9-9-98	
5962-8863101GA	DS1631H/883	A		LIFETIME BUY 9-9-98	
5962-8863101PA	DS1631J-8/883	A		LIFETIME BUY 9-9-98	
5962-88639012A	54FCT573LMQB	B			
5962-8863901RA	54FCT573DMQB	B			
5962-8863901SA	54FCT573FMQB	B			

NATIONAL SEMICONDUCTOR STANDARD MICROCIRCUIT DRAWING CROSS REFERENCE

5962-88651012A	54FCT533LMQB	A	
5962-8865101RA	54FCT533DMQB	A	
5962-8865101SA	54FCT533FMQB	A	
5962-88702012A	54AC377LMQB	-	
5962-8870201RA	54AC377DMQB	-	
5962-8870201SA	54AC377FMQB	-	
5962-88703012A	54AC257LMQB	-	
5962-8870301EA	54AC257DMQB	-	
5962-8870301FA	54AC257FMQB	-	
5962-88704012A	54ACT258LMQB	-	
5962-8870401EA	54ACT258DMQB	-	
5962-8870401FA	54ACT258FMQB	-	
5962-88705013A	54ACT821LMQB	-	
5962-8870501KA	54ACT821FMQB	-	
5962-8870501LA	54ACT821SDMQB	-	
5962-88706012A	54AC541LMQB	-	
5962-8870601RA	54AC541DMQB	-	
5962-8870601SA	54AC541FMQB	-	
5962-88752012A	54F14LMQB	A	
5962-8875201CA	54F14DMQB	A	
5962-8875201DA	54F14FMQB	A	
5962-88754012A	54AC299LMQB	-	
5962-8875401RA	54AC299DMQB	-	
5962-8875401SA	54AC299FMQB	-	
5962-88755012A	54ACT158LMQB	-	
5962-8875501EA	54ACT158DMQB	-	
5962-8875501FA	54ACT158FMQB	-	
5962-8875601B2A	JM54ACT151B2A	A	
5962-8875601BEA	JM54ACT151BEA	A	
5962-8875601BFA	JM54ACT151BFA	A	
5962-8875601M2A	54ACT151LMQB	A	
5962-8875601MEA	54ACT151DMQB	A	
5962-8875601MFA	54ACT151FMQB	A	
5962-8875601S2A	JM54ACT151S2A	A	
5962-8875601SEA	JM54ACT151SEA	A	
5962-8875601SFA	JM54ACT151SFA	A	
5962-8876101EA	LM78S40J/883	-	
5962-88771012A	54ACT299LMQB	-	
5962-8877101RA	54ACT299DMQB	-	
5962-8877101SA	54ACT299FMQB	-	
5962-89438013A	54F821LMQB	-	
5962-8943801KA	54F821FMQB	-	
5962-8943801LA	54F821SDMQB	-	
5962-89487012A	54F132LMQB	-	
5962-8948701CA	54F132DMQB	-	
5962-8948701DA	54F132FMQB	-	
5962-8950305GA	LMC555H/883	E	LIFETIME BUY 9-9-98
5962-8950305PA	LMC555J/883	E	
5962-89513012A	54FCT574LMQB	A	
5962-8951301RA	54FCT574DMQB	A	
5962-8951301SA	54FCT574FMQB	A	
5962-89535013A	54F657LMQB	B	LIFETIME BUY TILL 9-9-98
5962-8953501KA	54F657FMQB	B	LIFETIME BUY TILL 9-9-98
5962-8953501LA	54F657SDMQB	B	LIFETIME BUY TILL 9-9-98
5962-89539012A	54AC157LMQB	-	
5962-8953901EA	54AC157DMQB	-	
5962-8953901FA	54AC157FMQB	-	
5962-89547022A	54ACTQ08LMQB	B	
5962-8954702CA	54ACTQ08DMQB	B	
5962-8954702DA	54ACTQ08FMQB	B	
5962-89550012A	54AC86LMQB	A	
5962-8955001CA	54AC86DMQB	A	
5962-8955001DA	54AC86FMQB	A	
5962-89551012A	54AC109LMQB	-	
5962-8955101EA	54AC109DMQB	-	
5962-8955101FA	54AC109FMQB	-	
5962-89552012A	54AC175LMQB	A +	
5962-8955201EA	54AC175DMQB	A +	
5962-8955201FA	54AC175FMQB	A +	
5962-8955201VEA +	54AC175J-QMLV	A +	
5962-8955201VFA +	54AC175W-QMLV	A +	

NATIONAL SEMICONDUCTOR STANDARD MICROCIRCUIT DRAWING CROSS REFERENCE

5962-8955201V2A +	54AC175E-QMLV	A +	
5962R8955201VEA +	54AC175JRQMLV	A +	
5962R8955201VFA +	54AC175WRQMLV	A +	
5962R8955201V2A +	54AC175ERQMLV	A +	
5962-89556012A	54ACT563LMQB	-	
5962-8955601RA	54ACT563DMQB	-	
5962-8955601SA	54ACT563FMQB	-	
5962-89557012A	54ACT564LMQB	-	
5962-8955701RA	54ACT564DMQB	-	
5962-8955701SA	54ACT564FMQB	-	
5962-89558013A	54F652LMQB	-	
5962-8955801KA	54F652FMQB	-	
5962-8955801LA	54F652SDMQB	-	
5962-89561012A	54AC161LMQB	-	
5962-8956101EA	54AC161DMQB	-	
5962-8956101FA	54AC161FMQB	-	
5962-89582012A	54AC163LMQB	-	
5962-8958201EA	54AC163DMQB	-	
5962-8958201FA	54AC163FMQB	-	
5962-8958601GA	LM1578H/883	B	LIFETIME BUY TILL 9-9-98
5962-8958602GA	LM1578AH/883	B	
5962-8958701EA	LM2940J-5.0/883	C	
5962-8958701YA	LM2940K-5.0/883	C	Y=2 LEAD TO3
5962-8958801GA	LM105H/883	-	
5962-8958901CA	LM107J-14/883	-	
5962-8958901GA	LM107H/883	-	
5962-8958901PA	LM107J/883	-	
5962-8959401XA	CLC231A8AC	B	LIFETIME BUY TILL 2-27-98
5962-8959401XC	CLC231A8CC	B	LIFETIME BUY TILL 2-27-98
5962-8959817MMA	NS41024L55E-SMD	H E	M=32 LEADLESS LCC
5962-8959817MTA	NS41024L55F-SMD	H E	T=32 LEAD FLAT PACK
5962-8959817MUA	NS41024L55Y-SMD	H E	U=32 RECTANGULAR LCC
5962-8959817MYA	NS41024L55S-SMD	H E	Y=32 LEAD SOJ
5962-8959817MZA	NS41024L55D-SMD	H E	Z=32 LEAD 400 MIL DIP
5962-8959818MMA	NS41024L45E-SMD	H E	M=32 LEADLESS LCC
5962-8959818MTA	NS41024L45F-SMD	H E	T=32 LEAD FLAT PACK
5962-8959818MUA	NS41024L45Y-SMD	H E	U=32 RECTANGULAR LCC
5962-8959818MYA	NS41024L45S-SMD	H E	Y=32 LEAD SOJ
5962-8959818MZA	NS41024L45D-SMD	H E	Z=32 LEAD 400 MIL DIP
5962-8959819MMA	NS41024L35E-SMD	H E	M=32 LEADLESS LCC
5962-8959819MTA	NS41024L35F-SMD	H E	T=32 LEAD FLAT PACK
5962-8959819MUA	NS41024L35Y-SMD	H E	U=32 RECTANGULAR LCC
5962-8959819MYA	NS41024L35S-SMD	H E	Y=32 LEAD SOJ
5962-8959819MZA	NS41024L35D-SMD	H E	Z=32 LEAD 400 MIL DIP
5962-8959820MMA	NS41024L25E-SMD	H E	M=32 LEADLESS LCC
5962-8959820MTA	NS41024L25F-SMD	H E	T=32 LEAD FLAT PACK
5962-8959820MUA	NS41024L25Y-SMD	H E	U=32 RECTANGULAR LCC
5962-8959820MYA	NS41024L25S-SMD	H E	Y=32 LEAD SOJ
5962-8959820MZA	NS41024L25D-SMD	H E	Z=32 LEAD 400 MIL DIP
5962-8959821MMA	NS41024L20E-SMD	H E	M=32 LEADLESS LCC
5962-8959821MTA	NS41024L20F-SMD	H E	T=32 LEAD FLAT PACK
5962-8959821MUA	NS41024L20Y-SMD	H E	U=32 RECTANGULAR LCC
5962-8959821MYA	NS41024L20S-SMD	H E	Y=32 LEAD SOJ
5962-8959821MZA	NS41024L20D-SMD	H E	Z=32 LEAD 400 MIL DIP
5962-8959834MMA	NS41024S55E-SMD	H E	M=32 LEADLESS LCC
5962-8959834MTA	NS41024S55F-SMD	H E	T=32 LEAD FLAT PACK
5962-8959834MUA	NS41024S55Y-SMD	H E	U=32 RECTANGULAR LCC
5962-8959834MYA	NS41024S55S-SMD	H E	Y=32 LEAD SOJ
5962-8959834MZA	NS41024S55D-SMD	H E	Z=32 LEAD 400 MIL DIP
5962-8959835MMA	NS41024S45E-SMD	H E	M=32 LEADLESS LCC
5962-8959835MTA	NS41024S45F-SMD	H E	T=32 LEAD FLAT PACK
5962-8959835MUA	NS41024S45Y-SMD	H E	U=32 RECTANGULAR LCC
5962-8959835MYA	NS41024S45S-SMD	H E	Y=32 LEAD SOJ
5962-8959835MZA	NS41024S45D-SMD	H E	Z=32 LEAD 400 MIL DIP
5962-8959836MMA	NS41024S35E-SMD	H E	M=32 LEADLESS LCC
5962-8959836MTA	NS41024S35F-SMD	H E	T=32 LEAD FLAT PACK
5962-8959836MUA	NS41024S35Y-SMD	H E	U=32 RECTANGULAR LCC
5962-8959836MYA	NS41024S35S-SMD	H E	Y=32 LEAD SOJ
5962-8959836MZA	NS41024S35D-SMD	H E	Z=32 LEAD 400 MIL DIP
5962-8959837MMA	NS41024S25E-SMD	H E	M=32 LEADLESS LCC
5962-8959837MTA	NS41024S25F-SMD	H E	T=32 LEAD FLAT PACK

NATIONAL SEMICONDUCTOR STANDARD MICROCIRCUIT DRAWING CROSS REFERENCE

5962-8959837MUA	NS41024S25Y-SMD	H	E	U=32 RECTANGULAR LCC
5962-8959837MYA	NS41024S25S-SMD	H	E	Y=32 LEAD SOJ
5962-8959837MZA	NS41024S25D-SMD	H	E	Z=32 LEAD 400 MIL DIP
5962-8959838MMA	NS41024S20E-SMD	H	E	M=32 LEADLESS LCC
5962-8959838MTA	NS41024S20F-SMD	H	E	T=32 LEAD FLAT PACK
5962-8959838MUA	NS41024S20Y-SMD	H	E	U=32 RECTANGULAR LCC
5962-8959838MYA	NS41024S20S-SMD	H	E	Y=32 LEAD SOJ
5962-8959838MZA	NS41024S20D-SMD	H	E	Z=32 LEAD 400 MIL DIP
5962-89599012A	54ACT251LMQB	-		
5962-8959901EA	54ACT251DMQB	-		
5962-8959901FA	54ACT251FMQB	-		
5962-8960101B2A	JM54ACT574B2A	B		
5962-8960101BRA	JM54ACT574BRA	B		
5962-8960101BSA	JM54ACT574BSA	B		
5962-8960101M2A	54ACT574LMQB	B		
5962-8960101MRA	54ACT574DMQB	B		
5962-8960101MSA	54ACT574FMQB	B		
5962-8960101S2A	JM54ACT574S2A	B		
5962-8960101SRA	JM54ACT574SRA	B		
5962-8960101SSA	JM54ACT574SSA	B		
5962-89615012A	DS16F95E/883	B		
5962-8961501HA	DS16F95W-SMD	B	P	
5962-8961501PA	DS16F95J/883	B		
5962-89621012A	LM6161E/883	B +		
5962-8962101HA	LM6161W-SMD	B +	P	
5962-8962101XA +	LM6161WG/883	B +		
5962-8962101PA	LM6161J/883	B +		
5962-89624012A	LM6164E/883	B +	OBSOLETE	
5962-8962401HA	LM6164W-SMD	B +	P	
5962-8962401PA	LM6164J/883	B +		
5962-8962401XA +	LM6164WG/883	B +		
5962-89625012A	LM6165E/883	B +	OBSOLETE	
5962-8962501HA	LM6165W-SMD	B +	P	
5962-8962501PA	LM6165J/883	B +		
5962-8962501XA +	LM6165WG/883	B +		
5962-8963001EA	DS78C120J/883	-		
5962-89658012A	54ACT534LMQB	-		
5962-8965801RA	54ACT534DMQB	-		
5962-8965801SA	54ACT534FMQB	-		
5962-89682013A	54AC646LMQB	-		
5962-8968201KA	54AC646FMQB	-		
5962-8968201LA	54AC646SDMQB	-		
5962-89688012A	54ACT157LMQB	-		
5962-8968801EA	54ACT157DMQB	-		
5962-8968801FA	54ACT157FMQB	-		
5962-89689012A	54ACT257LMQB	-		
5962-8968901EA	54ACT257DMQB	-		
5962-8968901FA	54ACT257FMQB	-		
5962-89693012A	54ACT175LMQB	-		
5962-8969301EA	54ACT175DMQB	-		
5962-8969301FA	54ACT175FMQB	-		
5962-89729012A	54AC158LMQB	-		
5962-8972901EA	54AC158DMQB	-		
5962-8972901FA	54AC158FMQB	-		
5962-89734012A	54ACTQ04LMQB	B+		
5962-8973401CA	54ACTQ04DMQB	B+		
5962-8973401DA	54ACTQ04FMQB	B+		
5962-8973401V2A	54ACTQ04E-QMLV	B		
5962-8973401VCA	54ACTQ04J-QMLV	B		
5962-8973401VDA	54ACTQ04W-QMLV	B		
5962-89735012A	54ACTQ273LMQB	B		
5962-8973501RA	54ACTQ273DMQB	B		
5962-8973501SA	54ACTQ273FMQB	B		
5962-8973501V2A	54ACTQ273E-QMLV	B		
5962-8973501VRA	54ACTQ273J-QMLV	B		
5962-8973501VSA	54ACTQ273W-QMLV	B		
5962-89736012A	54ACTQ32LMQB	A		
5962-8973601CA	54ACTQ32DMQB	A		
5962-8973601DA	54ACTQ32FMQB	A		
5962-8973601V2A	54ACTQ32E-QMLV	B		
5962-8973601VCA	54ACTQ32J-QMLV	B		

NATIONAL SEMICONDUCTOR STANDARD MICROCIRCUIT DRAWING CROSS REFERENCE

5962-8973601VDA	54ACTQ32W-QMLV	B	
5962-89749012A	54AC191LMQB	-	
5962-8974901EA	54AC191DMQB	-	
5962-8974901FA	54AC191FMQB	-	
5962-89754013A	54F646LMQB	A	
5962-8975401KA	54F646FMQB	A	
5962-8975401LA	54F646SDMQB	A	
5962-89754023A	54F648LMQB	-	
5962-8975402KA	54F648FMQB	-	
5962-8975402LA	54F648SDMQB	-	
5962-89766012A	54FCT541LMQB	-	
5962-8976601RA	54FCT541DMQB	-	
5962-8976601SA	54FCT541FMQB	-	
5962-89767012A	54FCT540LMQB	-	
5962-8976701RA	54FCT540DMQB	-	
5962-8976701SA	54FCT540FMQB	-	
5962-8978701MEA	DS9627MJ/883	-	
5962-89793012A	54ACT520LMQB	A	
5962-8979301RA	54ACT520DMQB	A	
5962-8979301SA	54ACT520FMQB	A	
5962-89793022A	54ACT521LMQB	A	
5962-8979302RA	54ACT521DMQB	A	
5962-8979302SA	54ACT521FMQB	A	
5962-8982101GA	DS1634H-SMD	-	E
5962-8982101PA	DS1634J-8-SMD	-	E LIFETIME BUY 9-9-98
5962-89847012A	54ACT241LMQB	A	
5962-8984701RA	54ACT241DMQB	A	
5962-8984701SA	54ACT241FMQB	A	
5962-8984701V2A	54ACT241E-QMLV	A	
5962-8984701VRA	54ACT241J-QMLV	A	
5962-8984701VSA	54ACT241W-QMLV	A	
5962-8985801XA	CLC206A8AC	B	LIFETIME BUY TILL 2-27-98
5962-8985801XC	CLC206A8CC	B	LIFETIME BUY TILL 2-27-98
5962-8988201CA	MM78C30J/883	-	
5962-8991001XA	CLC200A8AC	B	LIFETIME BUY TILL 2-27-98
5962-8991001XC	CLC200A8CC	B	LIFETIME BUY TILL 2-27-98
5962-8991101XA	CLC220A8AC	B	LIFETIME BUY TILL 12-9-97
5962-8991101XC	CLC220A8CC	B	LIFETIME BUY TILL 12-9-97
5962-8992101XA	LM129AH-SMD	-	P X=2 LEAD TO46
5962-8992102XA	LM129BH-SMD	-	P X=2 LEAD TO46
5962-8993001MIA	LM126H/883	-	LIFETIME BUY TILL 9-9-98
5962-8995001B2A	JM54ACT112B2A	-	
5962-8995001BEA	JM54ACT112BEA	-	
5962-8995001BFA	JM54ACT112BFA	-	
5962-8995001M2A	54ACT112LMQB	-	
5962-8995001MEA	54ACT112DMQB	-	
5962-8995001MFA	54ACT112FMQB	-	
5962-8995001S2A	JM54ACT112S2A	-	
5962-8995001SEA	JM54ACT112SEA	-	
5962-8995001SFA	JM54ACT112SFA	-	
5962-89970012A	CLC400A8L-2A	C	
5962-8997001PA	CLC400A8B	C	
5962-8997001PC	CLC400A8D	C	LIFETIME BUY TILL 2-27-98
5962-8997301PA	CLC401A8B	E +	
5962-8997301PC	CLC401A8D	E +	LIFETIME BUY TILL 2-27-98
5962-8997401PA	CLC501A8B	B	
5962-8997401PC	CLC501A8D	B	LIFETIME BUY TILL 2-27-98
5962-8997501PA	CLC110A8B	B	
5962-8997501PC	CLC110A8D	B	LIFETIME BUY TILL 2-27-98
5962-9052201GA	DS1632H-SMD	-	E LIFETIME BUY 9-9-98
5962-9052201PA	DS1632J-8-SMD	-	E LIFETIME BUY 9-9-98
5962-9054401MYC	HPC003U20/883	-	Y=68 LEAD PGA
5962-9054402MYC	HPC083XXU/883	-	MPGB996
5962-90582012A	54F191LMQB	-	
5962-9058201EA	54F191DMQB	-	
5962-9058201FA	54F191FMQB	-	
5962-9059001B2A	JM54AC05B2A	A +	
5962-9059001BCA	JM54AC05BCA	A +	
5962-9059001BDA	JM54AC05BDA	A +	
5962-9059001M2A	54AC05LMQB	A +	
5962-9059001MCA	54AC05DMQB	A +	

NATIONAL SEMICONDUCTOR STANDARD MICROCIRCUIT DRAWING CROSS REFERENCE

5962-9059001MDA	54AC05FMQB	A +	
5962-9059001S2A	JM54AC05S2A	A +	
5962-9059001SCA	JM54AC05SCA	A +	
5962-9059001SDA	JM54AC05SDA	A +	
5962R9059001SCA +	JM54AC05SCA-RH	A +	
5962R9059001SDA +	JM54AC05SDA-RH	A +	
5962R9059001S2A +	JM54AC05S2A-RH	A +	
5962R9059001BCA +	JM54AC05BCA-RH	A +	
5962R9059001BDA +	JM54AC05BDA-RH	A +	
5962R9059001B2A +	JM54AC05B2A-RH	A +	
5962-9059301M2A	54F402LMQB	-	
5962-9059301MEA	54F402DMQB	-	
5962-9059301MFA	54F402FMQB	-	
5962-9060001PA	CLC410A8B	C	
5962-9060001PC	CLC410A8D	C	LIFETIME BUY TILL 2-27-98
5962-9076501M2A	DS96F172ME/883	B	
5962-9076501MEA	DS96F172MJ/883	B	
5962-9076501VEA	DS96F172MJ-QMLV	B	PENDING
5962-9076502M2A	DS96F174ME/883	B	
5962-9076502MEA	DS96F174MJ/883	B	
5962-9076502MFA	DS96F174MW/883	B	
5962-9076502VEA	DS96F174MJ-QMLV	B	
5962-9076601M2A	DS96F175ME/883	B	
5962-9076601MEA	DS96F175MJ/883	B	
5962-9076601MFA	DS96F175MW/883	B	
5962-9076601VEA	DS96F175MJ-QMLV	B	
5962-9076602M2A	DS96F173ME/883	B	
5962-9076602MEA	DS96F173MJ/883	B	
5962-9076602MFA	DS96F173MW/883	B	
5962-9076602VEA	DS96F173MJ-QMLV	B	PENDING
5962-9080001MEA	DM54LS502J/883	-	
5962-9080001MFA	DM54LS502W/883	-	LIFETIME BUY TILL 9-9-98
5962-9081201MGA	LM6121H/883	B	
5962-9081201MPA	LM6121J/883	B	
5962-9081501MGA	LM6125H/883	-	
5962-9081802MPA	LM6181AMJ/883	A	
5962-9083501HXA	CLC205A8AC	B	LIFETIME BUY TILL 12-9-97
5962-9083501HXC	CLC205A8CC	B	LIFETIME BUY TILL 12-9-97
5962-9086201MGA	LM759H/883	-	OBSOLETE
5962-9088301MYA	LM2940K-8.0/883	A	Y=2 LEAD TO3
5962-9088301QEA	LM2940J-8.0/883	A	
5962-9088401MYA	LM2940K-12/883	D	Y=2 LEAD TO3
5962-9088401QEA	LM2940J-12/883	D	
5962-9088501MYA	LM2940K-15/883	D	Y=2 LEAD TO3
5962-9088501QEA	LM2940J-15/883	D	
5962-9091001M2A	54F377LMQB	-	
5962-9091001MRA	54F377DMQB	-	
5962-9091001MSA	54F377FMQB	-	
5962-9091401MXA	LM185BYH-SMD	B	P X=3 LEAD TO46
5962-9091601B2A	JM54AC520B2A	-	
5962-9091601BRA	JM54AC520BRA	-	
5962-9091601BSA	JM54AC520BSA	-	
5962-9091601M2A	54AC520LMQB	-	
5962-9091601MRA	54AC520DMQB	-	
5962-9091601MSA	54AC520FMQB	-	
5962-9091601S2A	JM54AC520S2A	-	
5962-9091601SRA	JM54AC520SRA	-	
5962-9091601SSA	JM54AC520SSA	-	
5962-9096601MRA	ADC0802LJ/883	A	LIFETIME BUY TILL 9-9-98
5962-9096701MCA	LMF60CMJ100/883	-	OBSOLETE
5962-9096702MCA	LMF60CMJ50/883	-	OBSOLETE
5962-9096801MCA	LMF90CMJ/883	-	LIFETIME BUY TILL 9-9-98
5962-9097701HXA	CLC207A8AC	A	LIFETIME BUY TILL 12-9-97
5962-9097701HXC	CLC207A8CC	A	LIFETIME BUY TILL 12-9-97
5962-9098501B2A	JM54AC521B2A	A	
5962-9098501BRA	JM54AC521BRA	A	
5962-9098501BSA	JM54AC521BSA	A	
5962-9098501M2A	54AC521LMQB	A	
5962-9098501MRA	54AC521DMQB	A	
5962-9098501MSA	54AC521FMQB	A	
5962-9098501S2A	JM54AC521S2A	A	

NATIONAL SEMICONDUCTOR STANDARD MICROCIRCUIT DRAWING CROSS REFERENCE

5962-9098501SRA	JM54AC521SRA	A	
5962-9098501SSA	JM54AC521SSA	A	
5962-9099301MPC	CLC505A8D	E	LIFETIME BUY TILL 2-27-98
5962-9099401MPC	CLC404A8D	C	LIFETIME BUY TILL 2-27-98
5962-9152801MXA	100301DMQB	-	X=24 LEAD DIP
5962-9152801MYA	100301FMQB	-	Y=24 LEAD FLAT
5962-9152801VXA	100301J-QMLV	-	
5962-9152801VYA	100301W-QMLV	-	
5962-9152802MXA	100302DMQB	-	X=24 LEAD DIP
5962-9152802MYA	100302FMQB	-	Y=24 LEAD FLAT
5962-9152802VXA	100302J-QMLV	-	
5962-9152802VYA	100302W-QMLV	-	
5962-9153001MXA	100324DMQB	-	X=24 LEAD DIP
5962-9153001MYA	100324FMQB	-	Y=24 LEAD FLAT
5962-9153001VXA	100324J-QMLV	-	
5962-9153001VYA	100324W-QMLV	-	
5962-9153101MXA	100325DMQB	-	X=24 LEAD DIP
5962-9153101MYA	100325FMQB	-	Y=24 LEAD FLAT
5962-9153101VXA	100325J-QMLV	-	
5962-9153101VYA	100325W-QMLV	-	
5962-9153301M2A	LMF100AE/883	A	LIFETIME BUY TILL 9-9-98
5962-9153301MRA	LMF100AJ/883	A	LIFETIME BUY TILL 9-9-98
5962-9153601MXA	100331DMQB	-	X=24 LEAD DIP
5962-9153601MYA	100331FMQB	-	Y=24 LEAD FLAT
5962-9153601VXA	100331J-QMLV	-	
5962-9153601VYA	100331W-QMLV	-	
5962-9153701MXA	100304DMQB	-	X=24 LEAD DIP
5962-9153701MYA	100304FMQB	-	Y=24 LEAD FLAT
5962-9153701VXA	100304J-QMLV	-	
5962-9153701VYA	100304W-QMLV	-	
5962-9156501M2A	LM6118E/883	A	
5962-9156501MPA	LM6118J/883	A	
5962-9157801MXA	ADC1241CMJ/883	B	LIFETIME BUY TILL 9-9-98 X=28 LEAD DIP
5962-9157802MXA	ADC12441CMJ/883	B	X=28 LEAD DIP
5962-9157803QJA	ADC1251CMJ-QML	B	
5962-9157804QJA	ADC12451CMJ-QML	B	
5962-9160301M2A	54AC169LMQB	-	
5962-9160301MEA	54AC169DMQB	-	
5962-9160301MFA	54AC169FMQB	-	
5962-9160401M2A	54AC258LMQB	-	
5962-9160401MEA	54AC258DMQB	-	
5962-9160401MFA	54AC258FMQB	-	
5962-9160501M2A	54AC378LMQB	-	
5962-9160501MEA	54AC378DMQB	-	
5962-9160501MFA	54AC378FMQB	-	
5962-9160601M3A	54AC821LMQB	-	
5962-9160601MKA	54AC821FMQB	-	
5962-9160601MLA	54AC821SDMQB	-	
5962-9160701M2A	54ACT323LMQB	-	
5962-9160701MRA	54ACT323DMQB	-	
5962-9160701MSA	54ACT323FMQB	-	
5962-9160901M3A	54ACT818LMQB	-	
5962-9160901MKA	54ACT818FMQB	-	
5962-9160901MLA	54ACT818SDMQB	-	
5962-9161001M3A	54ACT823LMQB	-	
5962-9161001MKA	54ACT823FMQB	-	
5962-9161001MLA	54ACT823SDMQB	-	
5962-9161101M3A	54ACT825LMQB	-	
5962-9161101MKA	54ACT825FMQB	-	
5962-9161101MLA	54ACT825SDMQB	-	
5962-9162901MXA	100314DMQB	-	X=24 LEAD DIP
5962-9162901MYA	100314FMQB	-	Y=24 LEAD FLAT
5962-9162901VXA	100314J-QMLV	-	
5962-9162901VYA	100314W-QMLV	-	
5962-9163901M2A	DS26C31ME/883	A	
5962-9163901MEA	DS26C31MJ/883	A	
5962-9163901MFA	DS26C31MW/883	A	
5962-9164001M2A	DS26C32AME/883	A	
5962-9164001MEA	DS26C32AMJ/883	A	
5962-9164001MFA	DS26C32AMW/883	A	
5962-9164101MJA	DP8572AMD/883	-	OBSOLETE AS OF 10/97

NATIONAL SEMICONDUCTOR STANDARD MICROCIRCUIT DRAWING CROSS REFERENCE

5962-9165401MXA	100355DMQB	-	X=24 LEAD DIP
5962-9165401MYA	100355FMQB	-	Y=24 LEAD FLAT
5962-9165401VXA	100355J-QMLV	-	
5962-9165401VYA	100355W-QMLV	-	
5962-9165501MXA	100363DMQB	-	X=24 LEAD DIP
5962-9165501MYA	100363FMQB	-	Y=24 LEAD FLAT
5962-9166501HXA	CLC232A8AC	A	LIFETIME BUY TILL 12-9-97
5962-9166501HXC	CLC232A8CC	A	LIFETIME BUY TILL 12-9-97
5962-9166701QEA	LM2941J/883	-	
5962-9166701QXA	LM2941K/883	-	
5962-9167101MEA	LM1575J-ADJ-QML	A	
5962-9167101MXA	LM1575K-ADJ-QML	A	X=4 LEAD TO3
5962-9167102QXA	LM1575HVKAD-QML	A	X=4 LEAD TO3
5962-9167201MXA	LM1575K-5.0-QML	A	X=4 LEAD TO3
5962-9167201QEA	LM1575J-5.0-QML	A	
5962-9167202QXA	LM1575HVK5-QML	A	X=4 LEAD TO3
5962-9167301QEA	LM1575J-12-QML	-	
5962-9167301QXA	LM1575K-12-QML	-	X=4 LEAD TO3
5962-9167302QXA	LM1575HVK12-QML	-	X=4 LEAD TO3
5962-9167401QEA	LM1575J-15-QML	-	
5962-9167401QXA	LM1575K-15-QML	-	X=4 LEAD TO3
5962-9167402QXA	LM1575HVK15-QML	-	X=4 LEAD TO3
5962-9169301M2A	CLC414A8L-2A	B	
5962-9169301MCA	CLC414A8B	B	
5962-9169301MCC	CLC414A8D	B	LIFETIME BUY TILL 2-27-98
5962-9169401MCC	CLC520A8D	D +	LIFETIME BUY TILL 2-27-98
5962-9172201M2A	54ACT161LMQB	-	
5962-9172201MEA	54ACT161DMQB	-	
5962-9172201MFA	54ACT161FMQB	-	
5962-9172201V2A	54ACT161E-QMLV	-	
5962-9172201V2A	54ACT161E-QMLV	-	
5962-9172201VEA	54ACT161J-QMLV	-	
5962-9172201VEA	54ACT161J-QMLV	-	
5962-9172201VFA	54ACT161W-QMLV	-	
5962-9172201VFA	54ACT161W-QMLV	-	
5962-9172301M2A	54ACT163LMQB	-	
5962-9172301MEA	54ACT163DMQB	-	
5962-9172301MFA	54ACT163FMQB	-	
5962-9173801M2A	54F573LMQB	-	
5962-9173801MRA	54F573DMQB	-	
5962-9173801MSA	54F573FMQB	-	LIFETIME BUY TILL 9-9-98
5962-9174301M2A	CLC502A8L-2A	B	
5962-9174301MPA	CLC502A8B	B	
5962-9174301MPC	CLC502A8D	B	LIFETIME BUY TILL 2-27-98
5962-9175801M2A	CLC420A8L-2A	B	
5962-9175801MPA	CLC420A8B	B	
5962-9175801MPC	CLC420A8D	B	LIFETIME BUY TILL 2-27-98
5962-9175802M2A	CLC420B8L-2A	B	
5962-9175802MPA	CLC420B8B	B	
5962-9175802MPC	CLC420B8D	B	LIFETIME BUY TILL 2-27-98
5962-9200401MPA	CLC406A8B	B	
5962-9200401MPC	CLC406A8D	B	LIFETIME BUY TILL 2-27-98
5962-9203001M2A	CLC430A8L-2A	B	
5962-9203001MPA	CLC430A8B	B	
5962-9203001MPC	CLC430A8D	B	LIFETIME BUY TILL 2-27-98
5962-9203301MPA	CLC402A8B	-	
5962-9203301MPC	CLC402A8D	-	LIFETIME BUY TILL 2-27-98
5962-9203401M2A	CLC409A8L-2	D +	
5962-9203401MPC	CLC409A8D	D +	LIFETIME BUY TILL 2-27-98
5962-9203501M2A	CLC532A8L-2A	B	
5962-9203501MCA	CLC532A8B	B	
5962-9203501MCC	CLC532A8D	B	LIFETIME BUY TILL 2-27-98
5962-9203901HXA	CLC935B8AC	-	LIFETIME BUY TILL 2-27-98
5962-9203901HXC	CLC935B8CC	-	LIFETIME BUY TILL 2-27-98
5962-9206601MXA	100329DMQB	-	X=24 LEAD DIP
5962-9206601MYA	100329FMQB	-	Y=24 LEAD FLAT
5962-9209001M3A	54F827LMQB.	-	
5962-9209001MKA	54F827FMQB.	-	
5962-9209001MLA	54F827SDMQB.	-	
5962-9209301MCA	LMC660AMJ/883	B	
5962-9209302MCA	LPC660AMJ/883	B	

NATIONAL SEMICONDUCTOR STANDARD MICROCIRCUIT DRAWING CROSS REFERENCE

5962-9209303MCA	LMC6064AMJ/883	B	
5962-9209401MPA	LMC662AMJ/883	B	
5962-9209402MPA	LPC662AMJ/883	B	
5962-9209403MPA	LMC6062AMJ/883	B	
5962-9214701Q2A	54ABT244E-QML	A	WAS "9214701M2A"
5962-9214701QRA	54ABT244J-QML	A	WAS "9214702M4A"
5962-9214701QSA	54ABT244W-QML	A	WAS "9214702MSA"
5962-9214701V2A	54ABT244E-QMLV	A	
5962-9214701VRA	54ABT244J-QMLV	A	
5962-9214701VSA	54ABT244W-QMLV	A	
5962-9214801Q2A	54ABT245E-QML	A	
5962-9214801QRA	54ABT245J-QML	A	
5962-9214801QSA	54ABT245W-QML	A	
5962-9216501M2A	LM6162E/883	B +	
5962-9216501MHA	LM6162W/883	B +	
5962-9216501MPA	LM6162J/883	B +	
5962-9216501MXA +	LM6162WG/883	B +	
5962-9216601MXA	LM1577K-ADJ/883	-	X=4 LEAD TO3
5962-9216701MXA	LM1577K-12/883	-	X=4 LEAD TO3
5962-9216801MXA	LM1577K-15/883	-	X=4 LEAD TO3
5962-9217401M2A	54AC2525LMQB	-	
5962-9217401MCA	54AC2525DMQB	-	
5962-9217401MDA	54AC2525FMQB	-	
5962-9217601M2A	54ACQ244LMQB	-	
5962-9217601MRA	54ACQ244DMQB	-	
5962-9217601MSA	54ACQ244FMQB	-	
5962-9217701M2A	54ACQ245LMQB	-	
5962-9217701MRA	54ACQ245DMQB	-	
5962-9217701MSA	54ACQ245FMQB	-	
5962-9217801M2A	54ACQ373LMQB	-	
5962-9217801MRA	54ACQ373DMQB	-	
5962-9217801MSA	54ACQ373FMQB	-	
5962-9217901M2A	54ACQ374LMQB	-	
5962-9217901MRA	54ACQ374DMQB	-	
5962-9217901MSA	54ACQ374FMQB	-	
5962-9218001M2A	54ACQ573LMQB	-	
5962-9218001MRA	54ACQ573DMQB	-	
5962-9218001MSA	54ACQ573FMQB	-	
5962-9218101M2A	54ACTQ02LMQB	-	
5962-9218101MCA	54ACTQ02DMQB	-	
5962-9218101MDA	54ACTQ02FMQB	-	
5962-9218201M2A	54ACTQ10LMQB	-	
5962-9218201MCA	54ACTQ10DMQB	-	
5962-9218201MDA	54ACTQ10FMQB	-	
5962-9218301M2A	54ACTQ14LMQB	-	
5962-9218301MCA	54ACTQ14DMQB	-	
5962-9218301MDA	54ACTQ14FMQB	-	
5962-9218401M2A	54ACTQ240LMQB	A	
5962-9218401MRA	54ACTQ240DMQB	A	
5962-9218401MSA	54ACTQ240FMQB	A	
5962-9218501M2A	54ACTQ241LMQB	-	
5962-9218501MRA	54ACTQ241DMQB	-	
5962-9218501MSA	54ACTQ241FMQB	-	
5962-9218501V2A	54ACTQ241E-QMLV	-	
5962-9218501V2A	54ACTQ241E-QMLV	-	
5962-9218501VRA	54ACTQ241J-QMLV	-	
5962-9218501VRA	54ACTQ241J-QMLV	-	
5962-9218501VSA	54ACTQ241W-QMLV	-	
5962-9218501VSA	54ACTQ241W-QMLV	-	
5962-9218601M2A	54ACTQ244LMQB	-	
5962-9218601MRA	54ACTQ244DMQB	-	
5962-9218601MSA	54ACTQ244FMQB	-	
5962-9218601V2A	54ACTQ244E-QMLV	-	
5962-9218601VRA	54ACTQ244J-QMLV	-	
5962-9218601VSA	54ACTQ244W-QMLV	-	
5962-9218701M2A	54ACTQ245LMQB	-	
5962-9218701MRA	54ACTQ245DMQB	-	
5962-9218701MSA	54ACTQ245FMQB	-	
5962-9218801M2A	54ACTQ373LMQB	A	
5962-9218801MRA	54ACTQ373DMQB	A	
5962-9218801MSA	54ACTQ373FMQB	A	

NATIONAL SEMICONDUCTOR STANDARD MICROCIRCUIT DRAWING CROSS REFERENCE

5962-9218901M2A	54ACTQ374LMQB	-	
5962-9218901MRA	54ACTQ374DMQB	-	
5962-9218901MSA	54ACTQ374FMQB	-	
5962-9219001M2A	54ACTQ377LMQB	-	
5962-9219001MRA	54ACTQ377DMQB	-	
5962-9219001MSA	54ACTQ377FMQB	-	
5962-9219401M2A	54ACTQ573LMQB	-	
5962-9219401MRA	54ACTQ573DMQB	-	
5962-9219401MSA	54ACTQ573FMQB	-	
5962-9219601M3A	54ACTQ646LMQB	-	
5962-9219601MKA	54ACTQ646FMQB	-	
5962-9219601MLA	54ACTQ646SDMQB	-	
5962-9219701M3A	54ACTQ657LMQB	-	
5962-9219701MKA	54ACTQ657FMQB	-	
5962-9219701MLA	54ACTQ657SDMQB	-	
5962-9219901M3A	54ACTQ827LMQB	-	
5962-9219901MKA	54ACTQ827FMQB	-	
5962-9219901MLA	54ACTQ827SDMQB	-	
5962-9220001M3A	54ACTQ841LMQB	-	
5962-9220001MKA	54ACTQ841FMQB	-	
5962-9220001MLA	54ACTQ841SDMQB	-	
5962-9220101M2A	54AC280LMQB	-	
5962-9220101MCA	54AC280DMQB	-	
5962-9220101MDA	54AC280FMQB	-	
5962-9230601MXA	100336DMQB	-	X=24 LEAD DIP
5962-9230601MYA	100336FMQB	-	Y=24 LEAD FLAT
5962-9230601VXA	100336J-QMLV	-	
5962-9230601VYA	100336W-QMLV	-	
5962-9231401Q3A	54ABT543E-QML	B	
5962-9231401QKA	54ABT543W-QML	B	
5962-9231401QLA	54ABT543J-QML	B	
5962-9231701M3A	DS1776E/883	C	
5962-9231701MXA	DS1776J/883	C	X= 28 LEAD DIP
5962-9232501MXA	LMD18200-2D/883	A	
5962-9232901QRA	ADC10061CMJ-QML	-	
5962-9232902QJA	ADC10062CMJ-QML	-	
5962-9232903QXA	ADC10064CMJ-QML	-	X=28 LEAD DIP
5962-9233601MEA	LP2953AMJ/883	C +	
5962-9233601QXA	LP2953AMWG/883	C +	PENDING
5962-9233601VEA	LP2953AMJ-QMLV	C +	PENDING
5962-9233601VXA	LP2953AMWG-QMLV	C +	PENDING
5962-9233901M2A	CLC114A8L-2	C	
5962-9233901MCA	CLC114A8B	C	
5962-9233901MCC	CLC114A8D	C	LIFETIME BUY TILL 2-27-98
5962-9300201MPA +	LM612AMJ/883	-	LIFETIME BUY 12-8-98
5962-9300301M2A	LM613AME/883	-	LIFETIME BUY TILL 9-9-98
5962-9300301MEA	LM613AMJ/883	-	
5962-9300401MEA	LM614AMJ/883	-	
5962-9305501MCA	CLC415A8B	B	
5962-9305501MCC	CLC415A8D	B	LIFETIME BUY TILL 2-27-98
5962-9309701M2A	54ACT715LMQB	-	
5962-9309701MRA	54ACT715DMQB	-	
5962-9309702M2A	54ACT715-RLMQB	-	
5962-9309702MRA	54ACT715-RDMQB	-	
5962-9311501MXA	SCAN18245TFMQB	A	X=56 LEAD FLAT
5962-9311601MXA	SCAN18541TFMQB	A	X=56 LEAD FLAT
5962-9311801MXA	SCAN18373TFMQB	B	X=56 LEAD FLAT
5962-9312701MXA	SCAN18540TFMQB	A	X=56 LEAD FLAT
5962-9314101M3A	54ACT899LMQB	-	
5962-9314101MXA	54ACT899DMQB	-	
5962-9314801Q2A	54ABT377E-QML	A	
5962-9314801QRA	54ABT377J-QML	A	
5962-9314801QSA	54ABT377W-QML	A	
5962-9314901Q2A	54ABT374E-QML	B	WAS "9314901M2A"
5962-9314901QRA	54ABT374J-QML	B	WAS "9314901MRA"
5962-9314901QSA	54ABT374W-QML	B	WAS "9314901MSA"
5962-9317402QXA	54ABT16244W-QML	A	
5962-9317502QXA	54ABT16245W-QML	A	
5962-9318801Q2A	54ABT240E-QML	B	
5962-9318801QRA	54ABT240J-QML	B	
5962-9318801QSA	54ABT240W-QML	B	

NATIONAL SEMICONDUCTOR STANDARD MICROCIRCUIT DRAWING CROSS REFERENCE

5962-9319501MXC	LM12458MEL/883	-	X=44 LEAD QUAD J BEND
5962-9319501MYA	LM12458MW/883	-	Y=44 LEAD FLAT
5962-9319502MXC	LM12H458MEL/883	-	X=44 LEAD QUAD J BEND
5962-9319502MYA	LM12H458MW/883	-	Y=44 LEAD FLAT
5962-9320001QXA	54ABT16373W-QML	C	
5962-9320301M2A	CLC533A8L-2A	C	
5962-9320301MEA	CLC533A8B	C	
5962-9320701MXA	SCAN18374TFMQB	B	X=56 LEAD FLAT
5962-9321001MCA	MM78C29J/883	-	
5962-9321101MCA	DS78C20J/883	-	
5962-9321701Q2A	54ABT273E-QML	B	
5962-9321701QRA	54ABT273J-QML	B	
5962-9321701QSA	54ABT273W-QML	B	
5962-9321801Q2A	54ABT373E-QML	A	
5962-9321801QRA	54ABT373J-QML	A	
5962-9321801QSA	54ABT373W-QML	A	
5962-9321901Q2A	54ABT573E-QML	A	
5962-9321901QRA	54ABT573J-QML	A	
5962-9321901QSA	54ABT573W-QML	A	
5962-9322001Q2A	54ABT574E-QML	B	
5962-9322001QRA	54ABT574J-QML	B	
5962-9322001QSA	54ABT574W-QML	B	
5962-9322701Q2A	54ABT241E-QML	C	
5962-9322701QRA	54ABT241J-QML	C	
5962-9322701QSA	54ABT241W-QML	C	
5962-9324201Q3A	54ABT652E-QML	A+	
5962-9324201QKA	54ABT652W-QML	A+	
5962-9324201QLA	54ABT652J-QML	A+	
5962-9325001M2A	54F2244LMQB	-	
5962-9325001MRA	54F2244DMQB	-	
5962-9325001MSA	54F2244FMQB	-	
5962-9325301B2A	JM54AC125B2A	A	
5962-9325301BCA	JM54AC125BCA	A	
5962-9325301BDA	JM54AC125BDA	A	
5962-9325301S2A	JM54AC125S2A	A	
5962-9325301SCA	JM54AC125SCA	A	
5962-9325301SDA	JM54AC125SDA	A	
5962-9325901MPA	CLC425A8B	-	
5962-9450202QXA	54ABT16646W-QML	A	
5962-9451701M2A	CLC522A8L-2A	A	
5962-9451701MCC	CLC522A8D	A	LIFETIME BUY TILL 2-27-98
5962-9452602MGA	LM193AH/883	C +	
5962-9452602VGA	LM193AH-QMLV	C +	
5962-9452602VPA	LM193AJ-QMLV	C +	
5962-9452801QXA	54ACTQ16374FMQB	-	X=48 LEAD FLAT
5962-9452801VXA	54ACTQ16374W-QV	-	X=48 LEAD FLAT
5962-9453401MPA	LMC6482AMJ/883	C +	
5962-9453402MCA	LMC6484AMJ/883	C +	
5962-9453402QXA	LMC6484AMWG/883	C +	
5962-9456101MGA	LM169H/883	A	LIFETIME BUY TILL 9-9-98
5962-9456601MPA	CLC411A8B	-	
5962-9457701Q3A	54ABT646E-QML	A	
5962-9457701QKA	54ABT646W-QML	A	
5962-9457701QLA	54ABT646J-QML	A	
5962-9457901MXA	100351DMQB	-	X=24 LEAD DIP
5962-9457901MYA	100351FMQB	-	Y=24 LEAD FLAT
5962-9457901VXA	100351J-QMLV	-	
5962-9457901VYA	100351W-QMLV	-	
5962-9459001MXA	100307DMQB	-	X=24 LEAD DIP
5962-9459001MYA	100307FMQB	-	Y=24 LEAD FLAT
5962-9459001VXA	100307J-QMLV	-	
5962-9459001VYA	100307W-QMLV	-	
5962-9459101MXA	100341DMQB	-	X=24 LEAD DIP
5962-9459101MYA	100341FMQB	-	Y=24 LEAD FLAT
5962-9459101VXA	100341J-QMLV	-	
5962-9459101VYA	100341W-QMLV	-	
5962-9459201MXA	100364DMQB	-	X=24 LEAD DIP
5962-9459201MYA	100364FMQB	-	Y=24 LEAD FLAT
5962-9459201VXA	100364J-QMLV	-	
5962-9459201VYA	100364W-QMLV	-	
5962-9459701MPA	CLC426A8B	-	

NATIONAL SEMICONDUCTOR STANDARD MICROCIRCUIT DRAWING CROSS REFERENCE

5962-9460301MCA	LM6182AMJ/883	-	
5962-9460401MPA	LMC6061AMJ/883	-	
5962-9466201QJA	DAC1054CMJ-QML	-	
5962-9469601MFA	100315FMQB	A	
5962-9469601VFA	100315W-QMLV	A	
5962-9470801MPA	CLC428A8B	-	
5962-9471801Q2A	54ABT541E-QML	A	
5962-9471801QRA	54ABT541J-QML	A	
5962-9471801QSA	54ABT541W-QML	A	
5962-9471901M2A	CLC412A8L-2A	A	
5962-9471901MPA	CLC412A8B	A	
5962-9472501M2A	CLC431A8L-2A	A	
5962-9472501MCA	CLC431A8B	A	
5962-9472502MPA	CLC432A8B	A	
5962-9475001Q3A	SCANPSC100FLMQB	-	
5962-9475001QXA	SCANPSC100FDMQB	-	X=28 LEAD DIP
5962-9475001QYA	SCANPSC100FFMQB	-	Y=28 LEAD FLAT
5962-9550301QPA	LM6142AMJ-QML	A	
5962-9551201QRA	DAC0854CMJ-QML	-	
5962-9551301QEA +	ADC0851CMJ-QML	-	LIFETIME BUY TILL 12-8-98
5962-9551302QRA +	ADC0858CMJ-QML	-	LIFETIME BUY TILL 12-8-98
5962-9551401QRA	ADC08061CMJ-QML	-	
5962-9552901MGA	LM725H/883	-	
5962-9553601QHA	LM7171AMW-QML	C +	PENDING
5962-9553601QPA	LM7171AMJ-QML	C +	
5962-9553601QXA	LM7171AMWG-QML	C +	PENDING
5962-9553601VPA	LM7171AMJ-QMLV	C +	PENDING
5962-9553601VXA	LM7171AMWG-QMLV	C +	PENDING
5962-9554001QXA	DS3884AW/883	-	X=48 LEAD FLAT SINGLE MARK
5962-9554101QXA	DS3885W/883	-	X=48 LEAD FLAT SINGLE MARK
5962-9554201QXA	DS3886AW/883	-	X=48 LEAD FLAT SINGLE MARK
5962-9554301QXA	DS3875W/883	-	X=68 LEAD FLAT SINGLE MARK
5962-9554701QEA	LP2956AMJ-QML	-	
5962-9558501QEA	DM9328J/883	-	
5962-9559301QXA	ADC12062MW-QML	-	X=44 LEAD FLAT
5962-9560301QPA	LMC6462AMJ-QML	B +	
5962-9560302QCA	LMC6464AMJ-QML	B +	
5962-9560302QXA	LMC6464AMWG-QML	B +	
5962-9560401QPA	LM6172AMJ-QML	-	
5962-9561801QXA	54ACTQ16373FMQB	-	X=48 LEAD FLAT
5962-9561901QXA	54ACTQ16244FMQB	-	X=48 LEAD FLAT
5962-9561901VXA	54ACTQ16244W-QV	-	
5962-9562001QXA	54ACTQ16245FMQB	-	X=48 LEAD FLAT
5962-9562001VXA	54ACTQ16245W-QV	-	
5962-9570901QEA	LM2990J-15-QML	A	
5962-9571001QEA	LM2990J-12-QML	A	
5962-9571101QEA	LM2990J-5.0-QML	A	
5962-9581601QXA	54ACTQ16646FMQB	-	
5962-9583301Q2A	DS90C031E-QML	B +	
5962-9583301QFA	DS90C031W-QML	B +	
5962-9583401Q2A	DS90C032E-QML	A +	
5962-9583401QFA +	DS90C032W-QML	A +	PENDING
5962-9650201QEA	LM2595J-12-QML	-	PENDING
5962-9650301QEA	LM2595J-5.0-QML	-	PENDING
5962-9650401QEA	LM2595J-ADJ-QML	-	
5962-9650501QEA	LM2991J-QML	-	
5962-9650501VEA	LM2991J-QMLV	-	
5962-9673201QXA	100313DMQB	-	X=24 LEAD DIP
5962-9673201QYA	100313FMQB	-	X=24 LEAD FLAT
5962-9673801VCA	LM139AJ-QMLV	F +	
5962-9673801VDA	LM139AW-QMLV	F +	
5962-9673801VXA	LM139AWG-QMLV	F +	
5962-9676001QGA	LF412MH-SMD	-	SINGLE SMD MARK
5962-9676001QPA	LF412MJ-SMD	-	SINGLE SMD MARK
5962-9679801VCA	LM119J-QMLV	A	E
5962-9679801VHA	LM119W-QMLV	A	E
5962-9679801VIA	LM119H-QMLV	A	E
5962-9682901Q2A	54ACTQ541LMQB	-	
5962-9682901QRA	54ACTQ541DMQB	-	
5962-9682901QSA	54ACTQ541FMQB	-	
5962-9684301VXA	LM113H-QMLV	A	X=2 LEAD TO46

NATIONAL SEMICONDUCTOR STANDARD MICROCIRCUIT DRAWING CROSS REFERENCE

5962-9684302VXA	LM113-1H-QMLV	A		X=2 LEAD TO46
5962-9684303VXA	LM113-2H-QMLV	A		X=2 LEAD TO46
5962-9687001QXA	54ABT16500W-QML	A		
5962-9687901QEA	LM2595J-3.3-QML	-	PENDING	
5962-9688001QXA	54ACTQ16240FMQB	A		
5962-9751801MPA	CLC440A8B	-		
5962-9751901MPA	CLC446A8B	-		
5962-9752001MPA	CLC449A8B	-		
5962-9758201Q2A	54F138LMQB	-		
5962-9758201QEA	54F138DMQB	-		
5962-9758201QFA	54F138FMQB	-		
5962-9758301Q2A	54F153LMQB	-		
5962-9758301QEA	54F153DMQB	-		
5962-9758301QFA	54F153FMQB	-		
5962-9758401Q2A	54F20LMQB	-		
5962-9758401QCA	54F20DMQB	-		
5962-9758401QDA	54F20FMQB	-		
5962-9759301Q2A	54F04LMQB	-		
5962-9759301QCA	54F04DMQB	-		
5962-9759301QDA	54F04FMQB	-		
5962R8766301B2A	JM54ACT245B2A-RH	B		
5962R8766301BRA	JM54ACT245BRA-R	B		
5962R8766301BSA	JM54ACT245BSA-R	B		
5962R8766301S2A	JM54ACT245S2A-RH	B		
5962R8766301SRA	JM54ACT245SRA-R	B		
5962R8766301SSA	JM54ACT245SSA-R	B		
5962R8769901B2A	JM54ACT00B2A-RH	B		
5962R8769901BCA	JM54ACT00BCA-RH	B		
5962R8769901BDA	JM54ACT00BDA-RH	B		
5962R8769901S2A	JM54ACT00S2A-RH	B		
5962R8769901SCA	JM54ACT00SCA-RH	B		
5962R8769901SDA	JM54ACT00SDA-RH	B		
5962R8775901B2A	JM54ACT240B2A-RH	A		
5962R8775901BRA	JM54ACT240BRA-R	A		
5962R8775901BSA	JM54ACT240BSA-R	A		
5962R8775901S2A	JM54ACT240S2A-RH	A		
5962R8775901SRA	JM54ACT240SRA-R	A		
5962R8775901SSA	JM54ACT240SSA-R	A		
5962R8776001B2A	JM54ACT244B2A-RH	C		
5962R8776001BRA	JM54ACT244BRA-R	C		
5962R8776001BSA	JM54ACT244BSA-R	C		
5962R8776001S2A	JM54ACT244S2A-RH	C		
5962R8776001SRA	JM54ACT244SRA-R	C		
5962R8776001SSA	JM54ACT244SSA-R	C		
5962R8960101B2A	JM54ACT574B2A-R	C		
5962R8960101BRA	JM54ACT574BRA-R	C		
5962R8960101BSA	JM54ACT574BSA-R	C		
5962R8960101S2A	JM54ACT574S2A-R	C		
5962R8960101SRA	JM54ACT574SRA-R	C		
5962R8960101SSA	JM54ACT574SSA-R	C		
5962R8973601V2A	54ACTQ32ERQMLV	B		
5962R8973601VCA	54ACTQ32JRQMLV	B		
5962R8973601VDA	54ACTQ32WRQMLV	B		
5962R9098501B2A	JM54AC521B2A-RH	A		
5962R9098501BRA	JM54AC521BRA-RH	A		
5962R9098501BSA	JM54AC521BSA-RH	A		
5962R9098501S2A	JM54AC521S2A-RH	A		
5962R9098501SRA	JM54AC521SRA-RH	A		
5962R9098501SSA	JM54AC521SSA-RH	A		
5962R9325301B2A	JM54AC125B2A-RH	B		
5962R9325301BCA	JM54AC125BCA-RH	B		
5962R9325301BDA	JM54AC125BDA-RH	B		
5962R9325301S2A	JM54AC125S2A-RH	B		
5962R9325301SCA	JM54AC125SCA-RH	B		
5962R9325301SDA	JM54AC125SDA-RH	B		
7702806XA	LM103H-3.0-SMD	E	P	X=2 LEAD TO46
7702807XA	LM103H-3.3-SMD	E	P	X=2 LEAD TO46
7702808XA	LM103H-3.6-SMD	E	OBSOLETE	X=2 LEAD TO46
7702809XA	LM103H-3.9-SMD	E	P	X=2 LEAD TO46
7703401XA	LM117H-SMD	P	E	X=3 LEAD TO39
7703401YA	LM117K-SMD	P	E	Y=2 LEAD TO3

NATIONAL SEMICONDUCTOR STANDARD MICROCIRCUIT DRAWING CROSS REFERENCE

7703402XA	LM117HVH-SMD	P	E		X=3 LEAD TO39
7703402YA	LM117HVK-SMD	P	E		Y=2 LEAD TO3
7703403XA	LM137H-SMD	P	E		X=3 LEAD TO39
7703403YA	LM137K-SMD	P	E		Y=2 LEAD TO3
7703404XA	LM137HVH-SMD	P	E		X=3 LEAD TO39
7703404YA	LM137HVK-SMD	P	E		Y=2 LEAD TO3
7703601CA	MM54C08J/883	B			
7703601DA	MM54C08W/883	B			
7703701EA	MM54C85J/883	E			
7703701FA	MM54C85W/883	E			
77043012A	LM124E/883	L +			
7704301CA	LM124J/883	L +			
7704301XA	LM124WG/883	L +			X = 14 LEAD GULL WING
77043022A	LM124AE/883	L +			
7704302CA	LM124AJ/883	L +			
7704302XA	LM124AWG/883	L +			X = 14 LEAD GULL WING
7704601CA	CD4093BMJ/883	D			
7704601DA	CD4093BMW/883	D			
7705801EA	CD4040BMJ/883	E			
7800303XA	LM143H-SMD	G			LIFETIME BUY TILL 12-8-98 X=8 LEAD TO5
7800304XA	LM1536H-SMD	G			OBSOLETE
7800701GA	LM709H/883	C			
7800802CA	DS0026J-SMD	F			E LIFETIME BUY 9-9-98
7800802GA	DS0026H-SMD	F			E LIFETIME BUY 9-9-98
7900801CA	DS7820AJ-SMD	F			E
7900801DA	DS7820AW-SMD	F			E LIFETIME BUY 9-9-98
7901101CA	CD4013BMJ/883	E			
7901101DA	CD4013BMW/883	E			
7901301CA	CD4023BMJ/883	D			
7901501EA	CD4052BMJ/883	G			
7901501FA	CD4052BMW/883	G			
8003701GA	LM106H/883	D			
8004101EA	DS7831J-SMD	C			E
8004101FA	DS7831W-SMD	C			E
8004102EA	DS7832J-SMD	C			E
8004102FA	DS7832W-SMD	C			E
8101601EA	CD4029BMJ/883	E			
8101803EA	CD4053BMJ/883	F			
8101803FA	CD4053BMW/883	F			
8102306CA	LF147J-SMD	F			E
8202201EA	CD40174BMJ/883	-			
8202201FA	CD40174BMW/883	-			
8203602GA	OP07H/883	D			
8301301QA	NSC800D/883	D			OBSOLETE
8301301ZA	NSC800E/883	D			OBSOLETE
8301302QA	NSC800D-35/883	D			OBSOLETE
8301302ZA	NSC800E-35/883	D			OBSOLETE
8301701JA	DM54LS154J/883	F			
8418002XA	LM136AH-5.0-SMD	B			P X=3 LEAD TO46
86014012A	LM119E-SMD	F +			E
8601401CA	LM119J-SMD	F +			E
8601401HA	LM119W-SMD	F +			E
8601401IA	LM119H-SMD	F +			E
8601401XA	LM119WG-SMD	F +			E PENDING X=10 LEAD GULL WING
JM38510/00101BCA	JD5430BCA	E3			
JM38510/00101BDA	JD5430BDA	E3			
JM38510/00102BCA	JD5420BCA	E3			
JM38510/00102BDA	JD5420BDA	E3			
JM38510/00103BCA	JD5410BCA	E3			
JM38510/00103BDA	JD5410BDA	E3			
JM38510/00103SDA	JD5410SDA	E3			
JM38510/00104BCA	JD5400BCA	E3			
JM38510/00104BDA	JD5400BDA	E3			
JM38510/00104SCA	JD5400SCA	E3			
JM38510/00104SDA	JD5400SDA	E3			
JM38510/00105BCA	JD5404BCA	E3			
JM38510/00105BDA	JD5404BDA	E3			
JM38510/00105SCA	JD5404SCA	E3			
JM38510/00105SDA	JD5404SDA	E3			
JM38510/00107BCA	JD5401BCA	E3			
JM38510/00107BDA	JD5401BDA	E3			

NATIONAL SEMICONDUCTOR STANDARD MICROCIRCUIT DRAWING CROSS REFERENCE

JM38510/00109BCA	JD5403BCA	E3	
JM38510/00205BCA	JD5474BCA	E7	
JM38510/00205BDA	JD5474BDA	E7	
JM38510/00301BCA	JD5440BCA	F3	
JM38510/00301BDA	JD5440BDA	F3	
JM38510/00302BCA	JD5437BCA	F3	
JM38510/00302BDA	JD5437BDA	F3	
JM38510/00303BCA	JD5438BCA	F3	LIFETIME BUY TILL 9-9-98
JM38510/00303BDA	JD5438BDA	F3	LIFETIME BUY TILL 9-9-98
JM38510/00303SCA	JD5438SCA	F3	OBSOLETE
JM38510/00303SDA	JD5438SDA	F3	OBSOLETE
JM38510/00401BCA	JD5402BCA	C1 +	
JM38510/00401BDA	JD5402BDA	C1 +	
JM38510/00401SCA	JD5402SCA	C1 +	
JM38510/00401SDA	JD5402SDA	C1 +	
JM38510/00602BEA	JD5483BEA	C2	
JM38510/00602BFA	JD5483BFA	C2	
JM38510/00701BCA	JD5486BCA	B2	
JM38510/00701BDA	JD5486BDA	B2	
JM38510/00801BCA	JD5406BCA	D1	
JM38510/00801BDA	JD5406BDA	D1	
JM38510/00801SCA	JD5406SCA	D1	
JM38510/00801SDA	JD5406SDA	D1	
JM38510/00802BCA	JD5416BCA	D1	
JM38510/00802BDA	JD5416BDA	D1	
JM38510/00803BCA	JD5407BCA	D1	
JM38510/00803BDA	JD5407BDA	D1	
JM38510/00803SCA	JD5407SCA	D1	
JM38510/00803SDA	JD5407SDA	D1	
JM38510/00804BCA	JD5417BCA	D1	
JM38510/00804BDA	JD5417BDA	D1	LIFETIME BUY TILL 9-9-98
JM38510/00805BCA	JD5426BCA	D1	
JM38510/00805BDA	JD5426BDA	D1	
JM38510/00901BCA	JD5495BCA	D5	LIFETIME BUY TILL 9-9-98
JM38510/00901BDA	JD5495BDA	D5	LIFETIME BUY TILL 9-9-98
JM38510/00905BEA	JD54194BEA	D5	
JM38510/01001BEA	JD5442BEA	C0	
JM38510/01001BFA	JD5442BFA	C0	
JM38510/01007BEA	JD5447BEA	C0	LIFETIME BUY TILL 9-9-98
JM38510/01201BCA	JD54121BCA	G1	
JM38510/01201BDA	JD54121BDA	G1	
JM38510/01204BCA	JD9601BCA	G1	
JM38510/01204BDA	JD9601BDA	G1	
JM38510/01205BEA	JD9602BEA	G1	
JM38510/01205BFA	JD9602BFA	G1	
JM38510/01306BEA +	JD54161BEA	F7 +	OBSOLETE
JM38510/01306SEA +	JD54161SEA	F7 +	OBSOLETE
JM38510/01403BEA	JD54153BEA	D2	
JM38510/01403BFA	JD54153BFA	D2	
JM38510/01404BEA	JD9309BEA	D2	
JM38510/01404BFA	JD9309BFA	D2	
JM38510/01405BEA	JD9322BEA	D2	
JM38510/01405BFA	JD9322BFA	D2	
JM38510/01406BEA	JD54151BEA	D2	
JM38510/01406BFA	JD54151BFA	D2	
JM38510/01601BCA	JD5408BCA	2	
JM38510/01601BDA	JD5408BDA	2	
JM38510/01602BCA	JD5409BCA	2	
JM38510/01602BDA	JD5409BDA	2	LIFETIME BUY TILL 9-9-98
JM38510/01701BEA	JD54174BEA	A4	
JM38510/01701BFA	JD54174BFA	A4	
JM38510/01702BEA	JD54175BEA	A4	
JM38510/01702BFA	JD54175BFA	A4	
JM38510/01901BCA	JD54180BCA	3	
JM38510/01901BDA	JD54180BDA	3	
JM38510/02003BCA	JD54L10BCA	A2	
JM38510/02003BDA	JD54L10BDA	A2	
JM38510/02003SCA	JD54L10SCA	A2	
JM38510/02003SDA	JD54L10SDA	A2	
JM38510/02004BCA	JD54L00BCA	A2	
JM38510/02004BDA	JD54L00BDA	A2	LIFETIME BUY TILL 9-9-98

NATIONAL SEMICONDUCTOR STANDARD MICROCIRCUIT DRAWING CROSS REFERENCE

JM38510/02004SCA	JD54L00SCA	A2	OBSELETE
JM38510/02004SDA	JD54L00SDA	A2	LIFETIME BUY TILL 9-9-98
JM38510/02005BCA	JD54L04BCA	A2	
JM38510/02005BDA	JD54L04BDA	A2	
JM38510/02005SCA	JD54L04SCA	A2	
JM38510/02005SDA	JD54L04SDA	A2	LIFETIME BUY TILL 9-9-98
JM38510/02103BCA	JD54L73BCA	D1	
JM38510/02103BDA	JD54L73BDA	D1	
JM38510/02103SCA	JD54L73SCA	D1	
JM38510/02103SDA	JD54L73SDA	D1	
JM38510/02105BCA	JD54L74BCA	D1	
JM38510/02105BDA	JD54L74BDA	D1	
JM38510/02105SCA	JD54L74SCA	D1	
JM38510/02105SDA	JD54L74SDA	D1	
JM38510/02502BCA	JD54L93BCA	D0	
JM38510/02502BDA	JD54L93BDA	D0	
JM38510/02502SCA	JD54L93SCA	D0	
JM38510/02502SDA	JD54L93SDA	D0	
JM38510/02601SCA	JD54L86SCA	6 +	
JM38510/02601SDA	JD54L86SDA	6 +	
JM38510/02701BCA	JD54L02BCA	3	
JM38510/02701BDA	JD54L02BDA	3	
JM38510/02701SCA	JD54L02SCA	3	
JM38510/02701SDA	JD54L02SDA	3	
JM38510/02801BCA	JD54L95BCA	B2	
JM38510/02801BDA	JD54L95BDA	B2	
JM38510/02801SCA	JD54L95SCA	B2	
JM38510/02801SDA	JD54L95SDA	B2	
JM38510/03001BCA	JD9930BCA	A1	
JM38510/03001BDA	JD9930BDA	A1	
JM38510/03003BCA	JD9936BCA	A1	
JM38510/03003BDA	JD9936BDA	A1	
JM38510/03004BCA	JD9946BCA	A1	
JM38510/03004BDA	JD9946BDA	A1	
JM38510/03005BCA	JD9962BCA	A1	LIFETIME BUY TILL 9-9-98
JM38510/03005BDA	JD9962BDA	A1	LIFETIME BUY TILL 9-9-98
JM38510/05001BCA	JM4011ABCA	E2	
JM38510/05001BDA	JM4011ABDA	E2	
JM38510/05002BCA	JM4012ABCA	E2	
JM38510/05002BDA	JM4012ABDA	E2	
JM38510/05003BCA	JM4023ABCA	E2	
JM38510/05003BDA	JM4023ABDA	E2	LIFETIME BUY TILL 9-9-98
JM38510/05101BCA	JM4013ABCA	E2	
JM38510/05101BDA	JM4013ABDA	E2	
JM38510/05102BEA	JM4027ABEA	E2	
JM38510/05102BF A	JM4027ABF A	E2	
JM38510/05151BCA	JM4013BBCA	E2	
JM38510/05151BDA	JM4013BBDA	E2	
JM38510/05202BCA	JM4001ABCA	D2	
JM38510/05202BDA	JM4001ABDA	D2	LIFETIME BUY TILL 9-9-98
JM38510/05204BCA	JM4025ABCA	D2	
JM38510/05204BDA	JM4025ABDA	D2	
JM38510/05252BCA	JM4001BBCA	D2	
JM38510/05252BDA	JM4001BBDA	D2	LIFETIME BUY TILL 9-9-98
JM38510/05254BCA	JM4025BBCA	D2	
JM38510/05301BCA	JM4007ABCA	E1	
JM38510/05301BDA	JM4007ABDA	E1	
JM38510/05302BEA	JM4019ABEA	E1	
JM38510/05302BF A	JM4019ABF A	E1	
JM38510/05352BEA	JM4019BBEA	E1	
JM38510/05503BEA	JM4049ABEA	F2	
JM38510/05503BF A	JM4049ABF A	F2	
JM38510/05504BEA	JM4050ABEA	F2	
JM38510/05504BF A	JM4050ABF A	F2	
JM38510/05554BEA	JM4050BBEA	F2	
JM38510/05554BF A	JM4050BBF A	F2	
JM38510/05601BEA	JM4017ABEA	F0	
JM38510/05602BEA	JM4018ABEA	F0	
JM38510/05603BEA	JM4020ABEA	F0	
JM38510/05603BF A	JM4020ABF A	F0	LIFETIME BUY TILL 9-9-98
JM38510/05604BEA	JM4022ABEA	F0	LIFETIME BUY TILL 9-9-98

NATIONAL SEMICONDUCTOR STANDARD MICROCIRCUIT DRAWING CROSS REFERENCE

JM38510/05604BFA	JM4022ABFA	F0	
JM38510/05652BEA	JM4018BBEA	F0	
JM38510/05702BEA	JM4014ABEA	E1	
JM38510/05703BEA	JM4015ABEA	E1	
JM38510/05703BFA	JM4015ABFA	E1	
JM38510/05704BEA	JM4021ABEA	E1	LIFETIME BUY TILL 9-9-98
JM38510/10101BCA	JL741BCA	G2	
JM38510/10101BGA	JL741BGA	G2	
JM38510/10101BHA	JL741BHA	G2	
JM38510/10101BPA	JL741BPA	G2	
JM38510/10101SCA	JL741SCA	G2	
JM38510/10101SGA	JL741SGA	G2	
JM38510/10101SHA	JL741SHA	G2	
JM38510/10101SPA	JL741SPA	G2	
JM38510/10102BCA	JL747BCA	G2	
JM38510/10102BDA	JL747BDA	G2	
JM38510/10102BIA	JL747BIA	G2	
JM38510/10102SCA	JL747SCA	G2	
JM38510/10102SDA +	JL747SDA	G2	LIFETIME BUY TILL 12-8-98
JM38510/10102SIA	JL747SIA	G2	
JM38510/10103BCA	JL101ABCA	G2	
JM38510/10103BGA	JL101ABGA	G2	
JM38510/10103BHA	JL101ABHA	G2	
JM38510/10103BPA	JL101ABPA	G2	
JM38510/10103SCA	JL101ASCA	G2	
JM38510/10103SGA	JL101ASGA	G2	
JM38510/10103SHA	JL101ASHA	G2	
JM38510/10103SPA	JL101ASPA	G2	
JM38510/10104BCA	JL108ABCA	G2	
JM38510/10104BGA	JL108ABGA	G2	
JM38510/10104BHA	JL108ABHA	G2	
JM38510/10104BPA	JL108ABPA	G2	
JM38510/10104SCA	JL108ASCA	G2	
JM38510/10104SGA	JL108ASGA	G2	
JM38510/10104SHA	JL108ASHA	G2	
JM38510/10104SPA	JL108ASPA	G2	
JM38510/10107BCA	JL118BCA	G2	
JM38510/10107BGA	JL118BGA	G2	
JM38510/10107BHA	JL118BHA	G2	
JM38510/10107BPA	JL118BPA	G2	
JM38510/10107SCA	JL118SCA	G2	
JM38510/10107SGA	JL118SGA	G2	
JM38510/10107SHA	JL118SHA	G2	LIFETIME BUY TILL 9-9-98
JM38510/10107SPA	JL118SPA	G2	
JM38510/10108BGA	JL1558BGA	G2	
JM38510/10108SGA	JL1558SGA	G2	OBSOLETE
JM38510/10201BCA	JL723BCA	B1	LIFETIME BUY TILL 9-9-98
JM38510/10201BIA	JL723BIA	B1	
JM38510/10201SCA	JL723SCA	B1	
JM38510/10201SIA	JL723SIA	B1	
JM38510/10301BCA +	JL710BCA	E1	OBSOLETE
JM38510/10301BGA +	JL710BGA	E1	OBSOLETE
JM38510/10301BHA +	JL710BHA	E1	OBSOLETE
JM38510/10302BIA +	JL711BIA	E1	OBSOLETE
JM38510/10304BCA	JL111BCA	E1	
JM38510/10304BGA	JL111BGA	E1	
JM38510/10304BHA	JL111BHA	E1	
JM38510/10304BPA	JL111BPA	E1	
JM38510/10304SGA	JL111SGA	E1	
JM38510/10304SHA	JL111SHA	E1	
JM38510/10304SPA	JL111SPA	E1	
JM38510/10305BEA +	JL2111BEA	E1	LIFETIME BUY TILL 6-9-98
JM38510/10305SEA	JL2111SEA	E1	OBSOLETE
JM38510/10306BCA	JL119BCA	E1	
JM38510/10306BIA	JL119BIA	E1	
JM38510/10401BCA	JD55107BCA	B1	
JM38510/10401BDA	JD55107BDA	B1	LIFETIME BUY TILL 9-9-98
JM38510/10404BEA	JD55115BEA	B1	
JM38510/10404BFA	JD55115BFA	B1	
JM38510/10701BXA	JL109BXA	C0	X=H 3 LEAD TO39
JM38510/10701BYA	JL109BYA	C0	Y=K 2 LEAD TO3

NATIONAL SEMICONDUCTOR STANDARD MICROCIRCUIT DRAWING CROSS REFERENCE

JM38510/10701SXA	JL109SXA	C0	X=H 3 LEAD TO39
JM38510/10702BXA	JL140-5BXA	C0	X=H 3 LEAD TO39
JM38510/10702SXA	JL140-5SXA	C0	X=H 3 LEAD TO39
JM38510/10703BXA	JL140-12BXA	C0	X=H 3 LEAD TO39
JM38510/10703SXA	JL140-12SXA	C0	X=H 3 LEAD TO39
JM38510/10704BXA	JL140-15BXA	C0	X=H 3 LEAD TO39
JM38510/10704SXA	JL140-15SXA	C0	X=H 3 LEAD TO39
JM38510/10706BYA	JL140-5BYA	C0	Y=K 2 LEAD TO3
JM38510/10706SYA	JL140-5SYA	C0	Y=K 2 LEAD TO3
JM38510/10707BYA	JL140-12BYA	C0	Y=K 2 LEAD TO3
JM38510/10707SYA	JL140-12SYA	C0	Y=K 2 LEAD TO3
JM38510/10708BYA	JL140-15BYA	C0	Y=K 2 LEAD TO3
JM38510/10708SYA	JL140-15SYA	C0	LIFETIME BUY TILL 9-9-98 Y=K 2 LEAD TO3
JM38510/10709BYA	JL140-24BYA	C0	Y=K 2 LEAD TO3
JM38510/10802BCA +	JL3045BCA	2	LIFETIME BUY TILL 12-8-98
JM38510/10802SCA +	JL3045SCA	2	LIFETIME BUY TILL 12-8-98
JM38510/10901BGA	JL555BGA	A3	
JM38510/10901BPA	JL555BPA	A3	
JM38510/10901SGA	JL555SGA	A3	
JM38510/10901SPA	JL555SPA	A3	
JM38510/11001BCA	JL148BCA	B1	
JM38510/11001BDA	JL148BDA	B1	
JM38510/11001SCA	JL148SCA	B1	
JM38510/11001SDA	JL148SDA	B1	
JM38510/11005BCA	JL124BCA	B1	
JM38510/11005BDA	JL124BDA	B1	
JM38510/11005SCA	JL124SCA	B1	
JM38510/11005SDA	JL124SDA	B1	
JM38510/11006BCA	JL124ABCA	B1	
JM38510/11006BDA	JL124ABDA	B1	
JM38510/11006SCA	JL124ASCA	B1	
JM38510/11006SDA	JL124ASDA	B1	
JM38510/11201BCA	JL139BCA	A3	
JM38510/11201BDA	JL139BDA	A3	
JM38510/11201SCA	JL139SCA	A3	
JM38510/11201SDA	JL139SDA	A3	
JM38510/11202BGA	JL193BGA	A3	
JM38510/11202BPA	JL193BPA	A3	
JM38510/11401BGA	JL155BGA	A6	
JM38510/11402BGA	JL156BGA	A6	
JM38510/11402SGA	JL156SGA	A6	
JM38510/11501BXA	JL120-5BXA	A1	X=H 3 LEAD TO39
JM38510/11501SXA	JL120-5SXA	A1	X=H 3 LEAD TO39
JM38510/11502BXA	JL120-12BXA	A1	X=H 3 LEAD TO39
JM38510/11502SXA	JL120-12SXA	A1	LIFETIME BUY TILL 9-9-98 X=H 3 LEAD TO39
JM38510/11503BXA	JL120-15BXA	A1	X=H 3 LEAD TO39
JM38510/11503SXA	JL120-15SXA	A1	X=H 3 LEAD TO39
JM38510/11505BYA	JL120-5BYA	A1	Y=K 2 LEAD TO3
JM38510/11505SYA	JL120-5SYA	A1	Y=K 2 LEAD TO3
JM38510/11506BYA	JL120-12BYA	A1	Y=K 2 LEAD TO3
JM38510/11506SXA	JL120-12SYA	A1	OBSOLETE Y=K 2 LEAD TO3
JM38510/11507BYA	JL120-15BYA	A1	Y=K 2 LEAD TO3
JM38510/11507SYA	JL120-15SYA	A1	OBSOLETE Y=K 2 LEAD TO3
JM38510/11703BXA	JL117BXA	A3	X=H 3 LEAD TO39
JM38510/11703SXA	JL117SXA	A3	X=H 3 LEAD TO39
JM38510/11704BYA	JL117BYA	A3	Y=K 2 LEAD TO3
JM38510/11704SYA	JL117SYA	A3	Y=K 2 LEAD TO3
JM38510/11803BXA	JL137BXA	4	X=H 3 LEAD TO39
JM38510/11803SXA	JL137SXA	4	X=H 3 LEAD TO39
JM38510/11804BYA	JL137BYA	4	Y=K 2 LEAD TO3
JM38510/11804SYA	JL137SYA	4	Y=K 2 LEAD TO3
JM38510/11904BGA	JL411BGA	A1	
JM38510/11904BPA	JL411BPA	A1	
JM38510/11905BGA	JL412BGA	A1	
JM38510/11905BPA	JL412BPA	A1	
JM38510/11906BCA	JL147BCA	A1	
JM38510/12501BGA	JL198BGA	1	
JM38510/12501SGA	JL198SGA	1	
JM38510/15102BCA	JD5414BCA	A2	
JM38510/15102BDA	JD5414BDA	A2	
JM38510/30001B2A	JD54LS00B2A	D2	LIFETIME BUY TILL 9-9-98

NATIONAL SEMICONDUCTOR STANDARD MICROCIRCUIT DRAWING CROSS REFERENCE

JM38510/30001BCA	JD54LS00BCA	D2	
JM38510/30001BDA	JD54LS00BDA	D2	
JM38510/30001SCA	JD54LS00SCA	D2	
JM38510/30001SDA	JD54LS00SDA	D2	
JM38510/30002B2A	JD54LS03B2A	D2	LIFETIME BUY TILL 9-9-98
JM38510/30002BCA	JD54LS03BCA	D2	
JM38510/30002BDA	JD54LS03BDA	D2	
JM38510/30002SCA	JD54LS03SCA	D2	
JM38510/30002SDA	JD54LS03SDA	D2	
JM38510/30003B2A	JD54LS04B2A	D2	
JM38510/30003BCA	JD54LS04BCA	D2	
JM38510/30003BDA	JD54LS04BDA	D2	
JM38510/30003SCA	JD54LS04SCA	D2	
JM38510/30003SDA	JD54LS04SDA	D2	
JM38510/30004B2A	JD54LS05B2A	D2	
JM38510/30004BCA	JD54LS05BCA	D2	
JM38510/30004BDA	JD54LS05BDA	D2	
JM38510/30004SCA	JD54LS05SCA	D2	
JM38510/30004SDA	JD54LS05SDA	D2	
JM38510/30005B2A	JD54LS10B2A	D2	
JM38510/30005BCA	JD54LS10BCA	D2	
JM38510/30005BDA	JD54LS10BDA	D2	
JM38510/30005SCA	JD54LS10SCA	D2	
JM38510/30005SDA	JD54LS10SDA	D2	
JM38510/30007B2A	JD54LS20B2A	D2	
JM38510/30007BCA	JD54LS20BCA	D2	LIFETIME BUY TILL 9-9-98
JM38510/30007BDA	JD54LS20BDA	D2	LIFETIME BUY TILL 9-9-98
JM38510/30007SCA	JD54LS20SCA	D2	LIFETIME BUY TILL 9-9-98
JM38510/30007SDA	JD54LS20SDA	D2	
JM38510/30009B2A	JD54LS30B2A	D2	LIFETIME BUY TILL 9-9-98
JM38510/30009BCA	JD54LS30BCA	D2	
JM38510/30009BDA	JD54LS30BDA	D2	
JM38510/30009SCA	JD54LS30SCA	D2	
JM38510/30009SDA	JD54LS30SDA	D2	
JM38510/30102B2A	JD54LS74B2A	D0	
JM38510/30102BCA	JD54LS74BCA	D0	
JM38510/30102BDA	JD54LS74BDA	D0	
JM38510/30102S2A	JD54LS74S2A	D0	
JM38510/30102SCA	JD54LS74SCA	D0	
JM38510/30102SDA	JD54LS74SDA	D0	
JM38510/30106B2A	JD54LS174B2A	D0	
JM38510/30106BEA	JD54LS174BEA	D0	
JM38510/30106BFA	JD54LS174BFA	D0	
JM38510/30106SEA	JD54LS174SEA	D0	
JM38510/30106SFA	JD54LS174SFA	D0	
JM38510/30107B2A	JD54LS175B2A	D0	
JM38510/30107BEA	JD54LS175BEA	D0	
JM38510/30107BFA	JD54LS175BFA	D0	
JM38510/30107S2A	JD54LS175S2A	D0	
JM38510/30107SEA	JD54LS175SEA	D0	
JM38510/30107SFA	JD54LS175SFA	D0	
JM38510/30109B2A	JD54LS109B2A	D0	
JM38510/30109BEA	JD54LS109BEA	D0	
JM38510/30109BFA	JD54LS109BFA	D0	
JM38510/30301B2A	JD54LS02B2A	C1	LIFETIME BUY TILL 9-9-98
JM38510/30301BCA	JD54LS02BCA	C1	
JM38510/30301BDA	JD54LS02BDA	C1	
JM38510/30301SCA	JD54LS02SCA	C1	
JM38510/30301SDA	JD54LS02SDA	C1	
JM38510/30302B2A	JD54LS27B2A	C1	
JM38510/30302BCA	JD54LS27BCA	C1	
JM38510/30302BDA	JD54LS27BDA	C1	
JM38510/30302SCA	JD54LS27SCA	C1	
JM38510/30302SDA	JD54LS27SDA	C1	LIFETIME BUY TILL 9-9-98
JM38510/30401B2A	JD54LS51B2A	B2	LIFETIME BUY TILL 9-9-98
JM38510/30401BCA	JD54LS51BCA	B2	LIFETIME BUY TILL 9-9-98
JM38510/30401BDA	JD54LS51BDA	B2	LIFETIME BUY TILL 9-9-98
JM38510/30402B2A	JD54LS54B2A	B2	
JM38510/30402BCA	JD54LS54BCA	B2	
JM38510/30402BDA	JD54LS54BDA	B2	LIFETIME BUY TILL 9-9-98
JM38510/30501B2A	JD54LS32B2A	B2	LIFETIME BUY TILL 9-9-98

NATIONAL SEMICONDUCTOR STANDARD MICROCIRCUIT DRAWING CROSS REFERENCE

JM38510/30501BCA	JD54LS32BCA	B2	
JM38510/30501BDA	JD54LS32BDA	B2	
JM38510/30502B2A	JD54LS86B2A	B2	LIFETIME BUY TILL 9-9-98
JM38510/30502BCA	JD54LS86BCA	B2	
JM38510/30502BDA	JD54LS86BDA	B2	
JM38510/30502SCA	JD54LS86SCA	B2	
JM38510/30502SDA	JD54LS86SDA	B2	
JM38510/30601B2A	JD54LS194B2A	D2	
JM38510/30601BEA	JD54LS194BEA	D2	
JM38510/30601BFA	JD54LS194BFA	D2	LIFETIME BUY TILL 9-9-98
JM38510/30601SEA	JD54LS194SEA	D2	
JM38510/30601SFA	JD54LS194SFA	D2	LIFETIME BUY TILL 9-9-98
JM38510/30605B2A	JD54LS164B2A	D2	
JM38510/30605BCA	JD54LS164BCA	D2	
JM38510/30605BDA	JD54LS164BDA	D2	
JM38510/30605SCA	JD54LS164SCA	D2	
JM38510/30605SDA	JD54LS164SDA	D2	
JM38510/30701B2A	JD54LS138B2A	C0	LIFETIME BUY TILL 9-9-98
JM38510/30701BEA	JD54LS138BEA	C0	
JM38510/30701BFA	JD54LS138BFA	C0	
JM38510/30701SEA	JD54LS138SEA	C0	
JM38510/30701SFA	JD54LS138SFA	C0	
JM38510/30702B2A	JD54LS139B2A	C0	LIFETIME BUY TILL 9-9-98
JM38510/30702BEA	JD54LS139BEA	C0	
JM38510/30702BFA	JD54LS139BFA	C0	
JM38510/30702SEA	JD54LS139SEA	C0	
JM38510/30702SFA	JD54LS139SFA	C0	
JM38510/30703SEA	JD54LS42SEA	C0	
JM38510/30703SFA	JD54LS42SFA	C0	
JM38510/30901B2A	JD54LS151B2A	D4	
JM38510/30901BEA	JD54LS151BEA	D4	
JM38510/30901BFA	JD54LS151BFA	D4	
JM38510/30901S2A	JD54LS151S2A	D4	
JM38510/30901SEA	JD54LS151SEA	D4	
JM38510/30901SFA	JD54LS151SFA	D4	
JM38510/30902B2A	JD54LS153B2A	D4	
JM38510/30902BEA	JD54LS153BEA	D4	
JM38510/30902BFA	JD54LS153BFA	D4	
JM38510/30902SEA	JD54LS153SEA	D4	
JM38510/30902SFA	JD54LS153SFA	D4	
JM38510/30903B2A	JD54LS157B2A	D4	
JM38510/30903BEA	JD54LS157BEA	D4	
JM38510/30903BFA	JD54LS157BFA	D4	
JM38510/30903SEA	JD54LS157SEA	D4	
JM38510/30903SFA	JD54LS157SFA	D4	LIFETIME BUY TILL 9-9-98
JM38510/30904B2A	JD54LS158B2A	D4	LIFETIME BUY TILL 9-9-98
JM38510/30904BEA	JD54LS158BEA	D4	
JM38510/30904BFA	JD54LS158BFA	D4	
JM38510/30904SEA	JD54LS158SEA	D4	
JM38510/30904SFA	JD54LS158SFA	D4	
JM38510/30905B2A	JD54LS251B2A	D4	
JM38510/30905BEA	JD54LS251BEA	D4	
JM38510/30905BFA	JD54LS251BFA	D4	
JM38510/30905SEA	JD54LS251SEA	D4	LIFETIME BUY TILL 9-9-98
JM38510/30905SFA	JD54LS251SFA	D4	
JM38510/30906B2A	JD54LS257B2A	D4	LIFETIME BUY TILL 9-9-98
JM38510/30906BEA	JD54LS257BEA	D4	
JM38510/30906BFA	JD54LS257BFA	D4	
JM38510/30908B2A	JD54LS253B2A	D4	LIFETIME BUY TILL 9-9-98
JM38510/30908BEA	JD54LS253BEA	D4	LIFETIME BUY TILL 9-9-98
JM38510/30908BFA	JD54LS253BFA	D4	LIFETIME BUY TILL 9-9-98
JM38510/30908SEA	JD54LS253SEA	D4	
JM38510/30908SFA	JD54LS253SFA	D4	
JM38510/31001B2A	JD54LS11B2A	C2	
JM38510/31001BCA	JD54LS11BCA	C2	
JM38510/31001BDA	JD54LS11BDA	C2	
JM38510/31001SCA	JD54LS11SCA	C2	
JM38510/31003BCA	JD54LS21BCA	C2	LIFETIME BUY TILL 9-9-98
JM38510/31003BDA	JD54LS21BDA	C2	LIFETIME BUY TILL 9-9-98
JM38510/31003SCA	JD54LS21SCA	C2	
JM38510/31003SDA	JD54LS21SDA	C2	

NATIONAL SEMICONDUCTOR STANDARD MICROCIRCUIT DRAWING CROSS REFERENCE

JM38510/31004B2A	JD54LS08B2A	C2	
JM38510/31004BCA	JD54LS08BCA	C2	
JM38510/31004BDA	JD54LS08BDA	C2	
JM38510/31101B2A	JD54LS85B2A	B3	LIFETIME BUY TILL 9-9-98
JM38510/31101BEA	JD54LS85BEA	B3	
JM38510/31101BFA	JD54LS85BFA	B3	LIFETIME BUY TILL 9-9-98
JM38510/31101SEA	JD54LS85SEA	B3	
JM38510/31101SFA	JD54LS85SFA	B3	
JM38510/31201B2A	JD54LS83B2A	B1	
JM38510/31201BEA	JD54LS83BEA	B1	LIFETIME BUY TILL 9-9-98
JM38510/31201BFA	JD54LS83BFA	B1	LIFETIME BUY TILL 9-9-98
JM38510/31202B2A	JD54LS283B2A	B1	
JM38510/31202BEA	JD54LS283BEA	B1	
JM38510/31202BFA	JD54LS283BFA	B1	
JM38510/31202SFA +	JD54LS283SFA	B1	OBSOLETE
JM38510/31504B2A	JD54LS161B2A	C3	
JM38510/31504BEA	JD54LS161ABEA	C3	LIFETIME BUY TILL 9-9-98
JM38510/31504BFA	JD54LS161BFA	C3	
JM38510/31506BEA	JD54LS169BEA	C3 +	
JM38510/31508B2A	JD54LS193B2A	C3 +	
JM38510/31508BEA	JD54LS193BEA	C3 +	
JM38510/31508BFA	JD54LS193BFA	C3 +	
JM38510/31508S2A	JD54LS193S2A	C3 +	
JM38510/31508SEA	JD54LS193SEA	C3 +	
JM38510/31508SFA	JD54LS193SFA	C3 +	
JM38510/31602B2A	JD54LS279B2A	D1	LIFETIME BUY TILL 9-9-98
JM38510/31602BEA	JD54LS279BEA	D1	
JM38510/31602BFA	JD54LS279BFA	D1	LIFETIME BUY TILL 9-9-98
JM38510/31603B2A	JD54LS259B2A	D1	
JM38510/31603BEA	JD54LS259BEA	D1	
JM38510/31603BFA	JD54LS259BFA	D1	
JM38510/31901BEA	JD54LS670BEA	B2	
JM38510/32201B2A	JD54LS365B2A	B5	
JM38510/32201BEA	JD54LS365BEA	B5	
JM38510/32201BFA	JD54LS365BFA	B5	
JM38510/32203B2A	JD54LS367B2A	B5	
JM38510/32203BEA	JD54LS367BEA	B5	
JM38510/32203BFA	JD54LS367BFA	B5	
JM38510/32203SEA	JD54LS367SEA	B5	
JM38510/32203SFA	JD54LS367SFA	B5	LIFETIME BUY TILL 9-9-98
JM38510/32204B2A	JD54LS368B2A	B5	LIFETIME BUY TILL 9-9-98
JM38510/32204BEA	JD54LS368BEA	B5	
JM38510/32204BFA	JD54LS368BFA	B5	
JM38510/32401B2A	JD54LS240B2A	C1	
JM38510/32401BRA	JD54LS240BRA	C1	
JM38510/32401BSA	JD54LS240BSA	C1	
JM38510/32402B2A	JD54LS241B2A	C1	
JM38510/32402BRA	JD54LS241BRA	C1	LIFETIME BUY TILL 9-9-98
JM38510/32402BSA	JD54LS241BSA	C1	LIFETIME BUY TILL 9-9-98
JM38510/32403B2A	JD54LS244B2A	C1	
JM38510/32403BRA	JD54LS244BRA	C1	
JM38510/32403BSA	JD54LS244BSA	C1	
JM38510/32403SRA	JD54LS244SRA	C1	
JM38510/32403SSA	JD54LS244SSA	C1	
JM38510/32501B2A	JD54LS273B2A	C1	
JM38510/32501BRA	JD54LS273BRA	C1	
JM38510/32501BSA	JD54LS273BSA	C1	
JM38510/33001B2A	JD54F00B2A	B3	
JM38510/33001BCA	JD54F00BCA	B3	
JM38510/33001BDA	JD54F00BDA	B3	
JM38510/33001SCA	JD54F00SCA	B3	
JM38510/33001SDA	JD54F00SDA	B3	
JM38510/33002B2A	JD54F04B2A	B3	
JM38510/33002BCA	JD54F04BCA	B3	
JM38510/33002BDA	JD54F04BDA	B3	
JM38510/33002SCA	JD54F04SCA	B3	
JM38510/33002SDA	JD54F04SDA	B3	
JM38510/33003B2A	JD54F10B2A	B3	
JM38510/33003BCA	JD54F10BCA	B3	
JM38510/33003BDA	JD54F10BDA	B3	
JM38510/33003SCA	JD54F10SCA	B3	

NATIONAL SEMICONDUCTOR STANDARD MICROCIRCUIT DRAWING CROSS REFERENCE

JM38510/33003SDA	JD54F10SDA	B3	
JM38510/33004B2A	JD54F20B2A	B3	
JM38510/33004BCA	JD54F20BCA	B3	
JM38510/33004BDA	JD54F20BDA	B3	
JM38510/33004SCA	JD54F20SCA	B3	
JM38510/33004SDA	JD54F20SDA	B3	
JM38510/33202B2A	JD54F241B2A	B1	
JM38510/33202BRA	JD54F241BRA	B1	
JM38510/33202BSA	JD54F241BSA	B1	
JM38510/33202SRA	JD54F241SRA	B1	
JM38510/33202SSA	JD54F241SSA	B1	
JM38510/33203B2A	JD54F244B2A	B1	
JM38510/33203BRA	JD54F244BRA	B1	
JM38510/33203BSA	JD54F244BSA	B1	
JM38510/33203SRA	JD54F244SRA	B1	
JM38510/33203SSA	JD54F244SSA	B1	
JM38510/33204B2A	JD54F540B2A	B1	
JM38510/33204BRA	JD54F540BRA	B1	
JM38510/33204BSA	JD54F540BSA	B1	
JM38510/33301B2A	JD54F02B2A	B1 +	
JM38510/33301BCA	JD54F02BCA	B1 +	
JM38510/33301BDA	JD54F02BDA	B1 +	
JM38510/33301SCA	JD54F02SCA	B1 +	
JM38510/33301SDA	JD54F02SDA	B1 +	LIFETIME BUY TILL 9-9-98
JM38510/33401B2A	JD54F64B2A	B4	
JM38510/33401BCA	JD54F64BCA	B4	
JM38510/33401BDA	JD54F64BDA	B4	
JM38510/33401SCA	JD54F64SCA	B4	LIFETIME BUY TILL 9-9-98
JM38510/33401SDA	JD54F64SDA	B4	
JM38510/33501B2A	JD54F32B2A	B1	
JM38510/33501BCA	JD54F32BCA	B1	
JM38510/33501BDA	JD54F32BDA	B1	
JM38510/33501SCA	JD54F32SCA	B1	
JM38510/33501SDA	JD54F32SDA	B1	
JM38510/33601B2A	JD54F194B2A	A4	
JM38510/33601BEA	JD54F194BEA	A4	
JM38510/33601BFA	JD54F194BFA	A4	
JM38510/33701B2A	JD54F138B2A	A2	
JM38510/33701BEA	JD54F138BEA	A2	
JM38510/33701BFA	JD54F138BFA	A2	
JM38510/33701SEA	JD54F138SEA	A2	
JM38510/33701SFA	JD54F138SFA	A2	
JM38510/33702B2A	JD54F139B2A	A2	
JM38510/33702BEA	JD54F139BEA	A2	
JM38510/33702BFA	JD54F139BFA	A2	
JM38510/33702SEA	JD54F139SEA	A2	
JM38510/33702SFA	JD54F139SFA	A2	
JM38510/33801BKA	JD54F181BKA	A1	
JM38510/33801BLA	JD54F181BLA	A1	
JM38510/33802B2A	JD54F182B2A	A1	
JM38510/33802BEA	JD54F182BEA	A1	
JM38510/33802BFA	JD54F182BFA	A1	
JM38510/33901B2A	JD54F151B2A	C2	
JM38510/33901BEA	JD54F151BEA	C2	
JM38510/33901BFA	JD54F151BFA	C2	
JM38510/33901SEA	JD54F151SEA	C2	
JM38510/33901SFA	JD54F151SFA	C2	
JM38510/33902B2A	JD54F153B2A	C2	
JM38510/33902BEA	JD54F153BEA	C2	
JM38510/33902BFA	JD54F153BFA	C2	
JM38510/33902SEA	JD54F153SEA	C2	LIFETIME BUY TILL 9-9-98
JM38510/33902SFA	JD54F153SFA	C2	
JM38510/33903B2A	JD54F157B2A	C2	
JM38510/33903BEA	JD54F157BEA	C2	
JM38510/33903BFA	JD54F157BFA	C2	
JM38510/33903SEA	JD54F157SEA	C2	LIFETIME BUY TILL 9-9-98
JM38510/33903SFA	JD54F157SFA	C2	
JM38510/33904B2A	JD54F158B2A	C2	LIFETIME BUY TILL 9-9-98
JM38510/33904BEA	JD54F158BEA	C2	LIFETIME BUY TILL 9-9-98
JM38510/33904BFA	JD54F158BFA	C2	LIFETIME BUY TILL 9-9-98
JM38510/33904SEA	JD54F158SEA	C2	

NATIONAL SEMICONDUCTOR STANDARD MICROCIRCUIT DRAWING CROSS REFERENCE

JM38510/33904SFA	JD54F158SFA	C2	
JM38510/33905B2A	JD54F251B2A	C2	
JM38510/33905BEA	JD54F251BEA	C2	
JM38510/33905BFA	JD54F251BFA	C2	
JM38510/33905SEA	JD54F251SEA	C2	
JM38510/33905SFA	JD54F251SFA	C2	
JM38510/33906B2A	JD54F257B2A	C2	
JM38510/33906BEA	JD54F257BEA	C2	
JM38510/33906BFA	JD54F257BFA	C2	
JM38510/33906SEA	JD54F257SEA	C2	
JM38510/33906SFA	JD54F257SFA	C2	
JM38510/33907B2A	JD54F258B2A	C2	
JM38510/33907BEA	JD54F258BEA	C2	
JM38510/33907BFA	JD54F258BFA	C2	LIFETIME BUY TILL 9-9-98
JM38510/33907SEA	JD54F258SEA	C2	
JM38510/33907SFA	JD54F258SFA	C2	
JM38510/33908B2A	JD54F253B2A	C2	
JM38510/33908BEA	JD54F253BEA	C2	
JM38510/33908BFA	JD54F253BFA	C2	
JM38510/33908SEA	JD54F253SEA	C2	
JM38510/33908SFA	JD54F253SFA	C2	
JM38510/34001B2A	JD54F08B2A	C1	
JM38510/34001BCA	JD54F08BCA	C1	
JM38510/34001BDA	JD54F08BDA	C1	
JM38510/34001SCA	JD54F08SCA	C1	
JM38510/34001SDA	JD54F08SDA	C1	
JM38510/34002B2A	JD54F11B2A	C1	
JM38510/34002BCA	JD54F11BCA	C1	
JM38510/34002BDA	JD54F11BDA	C1	
JM38510/34002SCA	JD54F11SCA	C1	
JM38510/34002SDA	JD54F11SDA	C1	
JM38510/34101B2A	JD54F74B2A	E3	
JM38510/34101BCA	JD54F74BCA	E3	
JM38510/34101BDA	JD54F74BDA	E3	
JM38510/34101SCA	JD54F74SCA	E3	
JM38510/34101SDA	JD54F74SDA	E3	
JM38510/34102B2A	JD54F109B2A	E3	
JM38510/34102BEA	JD54F109BEA	E3	
JM38510/34102BFA	JD54F109BFA	E3	
JM38510/34102SEA	JD54F109SEA	E3	
JM38510/34104B2A	JD54F175B2A	E3	
JM38510/34104BEA	JD54F175BEA	E3	
JM38510/34104BFA	JD54F175BFA	E3	
JM38510/34105B2A	JD54F374B2A	E3	
JM38510/34105BRA	JD54F374BRA	E3	
JM38510/34105BSA	JD54F374BSA	E3	
JM38510/34106B2A	JD54F534B2A	E3	
JM38510/34106BRA	JD54F534BRA	E3	
JM38510/34106BSA	JD54F534BSA	E3	LIFETIME BUY TILL 9-9-98
JM38510/34107B2A	JD54F174B2A	E3	
JM38510/34107BEA	JD54F174BEA	E3	
JM38510/34107BFA	JD54F174BFA	E3	
JM38510/34107SEA	JD54F174SEA	E3	
JM38510/34107SFA	JD54F174SFA	E3	
JM38510/34201B2A	JD54F283B2A	2	
JM38510/34201BEA	JD54F283BEA	2	
JM38510/34201BFA	JD54F283BFA	2	
JM38510/34201SEA	JD54F283SEA	2	
JM38510/34201SFA	JD54F283SFA	2	
JM38510/34301B2A	JD54F161B2A	A3	
JM38510/34301BEA	JD54F161BEA	A3	
JM38510/34301BFA	JD54F161BFA	A3	
JM38510/34301SEA	JD54F161SEA	A3	
JM38510/34301SFA	JD54F161SFA	A3	
JM38510/34302B2A	JD54F163B2A	A3	
JM38510/34302BEA	JD54F163BEA	A3	
JM38510/34302BFA	JD54F163BFA	A3	
JM38510/34302SEA	JD54F163SEA	A3	
JM38510/34302SFA	JD54F163SFA	A3	
JM38510/34304B2A	JD54F193B2A	A3	
JM38510/34304BEA	JD54F193BEA	A3	

NATIONAL SEMICONDUCTOR STANDARD MICROCIRCUIT DRAWING CROSS REFERENCE

JM38510/34304BFA	JD54F193BFA	A3	
JM38510/34401B2A	JD54F160B2A	3	LIFETIME BUY TILL 9-9-98
JM38510/34401BEA	JD54F160BEA	3	LIFETIME BUY TILL 9-9-98
JM38510/34401BFA	JD54F160BFA	3	
JM38510/34401SEA	JD54F160SEA	3	
JM38510/34401SFA	JD54F160SFA	3	
JM38510/34501B2A	JD54F86B2A	B0	
JM38510/34501BCA	JD54F86BCA	B0	
JM38510/34501BDA	JD54F86BDA	B0	
JM38510/34501SCA	JD54F86SCA	B0	
JM38510/34501SDA	JD54F86SDA	B0	
JM38510/34601B2A	JD54F373B2A	B2 +	
JM38510/34601BRA	JD54F373BRA	B2 +	
JM38510/34601BSA	JD54F373BSA	B2 +	
JM38510/34601SRA	JD54F373SRA	B2 +	
JM38510/34601SSA	JD54F373SSA	B2 +	
JM38510/34603B2A	JD54F563B2A	B2 +	
JM38510/34603BRA	JD54F563BRA	B2 +	LIFETIME BUY TILL 9-9-98
JM38510/34603BSA	JD54F563BSA	B2 +	
JM38510/34604B2A	JD54F573B2A	B2 +	
JM38510/34604BRA	JD54F573BRA	B2 +	
JM38510/34604BSA	JD54F573BSA	B2 +	
JM38510/34701B2A	JD54F521B2A	2	
JM38510/34701BRA	JD54F521BRA	2	
JM38510/34701BSA	JD54F521BSA	2	
JM38510/34701SRA	JD54F521SRA	2	
JM38510/34701SSA	JD54F521SSA	2	
JM38510/34803B2A	JD54F245B2A	B2	
JM38510/34803BRA	JD54F245BRA	B2	
JM38510/34803BSA	JD54F245BSA	B2	
JM38510/34803SRA	JD54F245SRA	B2	
JM38510/34803SSA	JD54F245SSA	B2	
JM38510/34901B2A	JD54F280B2A	A2	
JM38510/34901BCA	JD54F280BCA	A2	
JM38510/34901BDA	JD54F280BDA	A2	
JM38510/34901SCA	JD54F280SCA	A2	
JM38510/34901SDA	JD54F280SDA	A2	
JM38510/35001B2A	JD54F398B2A	1	
JM38510/35001BRA	JD54F398BRA	1	
JM38510/35001BSA	JD54F398BSA	1	LIFETIME BUY TILL 9-9-98
JM38510/35001SRA	JD54F398SRA	1	
JM38510/35001SSA	JD54F398SSA	1	
JM38510/35002B2A	JD54F399B2A	1	
JM38510/35002BEA	JD54F399BEA	1	
JM38510/35002BFA	JD54F399BFA	1	
JM38510/35002SEA	JD54F399SEA	1	
JM38510/35002SFA	JD54F399SFA	1	
JM38510/35101B2A	JD54F365B2A	0	
JM38510/35101BEA	JD54F365BEA	0	
JM38510/35101BFA	JD54F365BFA	0	
JM38510/35202B2A	JD54F38B2A	0	
JM38510/35202BCA	JD54F38BCA	0	
JM38510/35202BDA	JD54F38BDA	0	
JM38510/75001B2A	JM54AC00B2A	A1	
JM38510/75001BCA	JM54AC00BCA	A1	
JM38510/75001BDA	JM54AC00BDA	A1	
JM38510/75001S2A	JM54AC00S2A	A1	
JM38510/75001SCA	JM54AC00SCA	A1	
JM38510/75001SDA	JM54AC00SDA	A1	
JM38510/75002B2A	JM54AC10B2A	A1	
JM38510/75002BCA	JM54AC10BCA	A1	
JM38510/75002BDA	JM54AC10BDA	A1	
JM38510/75002S2A	JM54AC10S2A	A1	
JM38510/75002SCA	JM54AC10SCA	A1	
JM38510/75002SDA	JM54AC10SDA	A1	
JM38510/75003B2A	JM54AC20B2A	A1	
JM38510/75003BCA	JM54AC20BCA	A1	
JM38510/75003BDA	JM54AC20BDA	A1	
JM38510/75003S2A	JM54AC20S2A	A1	
JM38510/75003SCA	JM54AC20SCA	A1	
JM38510/75003SDA	JM54AC20SDA	A1	

NATIONAL SEMICONDUCTOR STANDARD MICROCIRCUIT DRAWING CROSS REFERENCE

JM38510/75101B2A	JM54AC02B2A	A1
JM38510/75101BCA	JM54AC02BCA	A1
JM38510/75101BDA	JM54AC02BDA	A1
JM38510/75101S2A	JM54AC02S2A	A1
JM38510/75101SCA	JM54AC02SCA	A1
JM38510/75101SDA	JM54AC02SDA	A1
JM38510/75201B2A	JM54AC32B2A	B0
JM38510/75201BCA	JM54AC32BCA	B0
JM38510/75201BDA	JM54AC32BDA	B0
JM38510/75201S2A	JM54AC32S2A	B0
JM38510/75201SCA	JM54AC32SCA	B0
JM38510/75201SDA	JM54AC32SDA	B0
JM38510/75202B2A	JM54AC86B2A	B0
JM38510/75202BCA	JM54AC86BCA	B0
JM38510/75202BDA	JM54AC86BDA	B0
JM38510/75202S2A	JM54AC86S2A	B0
JM38510/75202SCA	JM54AC86SCA	B0
JM38510/75202SDA	JM54AC86SDA	B0
JM38510/75203B2A	JM54AC08B2A	B0
JM38510/75203BCA	JM54AC08BCA	B0
JM38510/75203BDA	JM54AC08BDA	B0
JM38510/75203S2A	JM54AC08S2A	B0
JM38510/75203SCA	JM54AC08SCA	B0
JM38510/75203SDA	JM54AC08SDA	B0
JM38510/75204B2A	JM54AC11B2A	B0
JM38510/75204BCA	JM54AC11BCA	B0
JM38510/75204BDA	JM54AC11BDA	B0
JM38510/75204S2A	JM54AC11S2A	B0
JM38510/75204SCA	JM54AC11SCA	B0
JM38510/75204SDA	JM54AC11SDA	B0
JM38510/75302B2A	JM54AC74B2A	A1
JM38510/75302BCA	JM54AC74BCA	A1
JM38510/75302BDA	JM54AC74BDA	A1
JM38510/75302S2A	JM54AC74S2A	A1
JM38510/75302SCA	JM54AC74SCA	A1
JM38510/75302SDA	JM54AC74SDA	A1
JM38510/75304B2A	JM54AC109B2A	A1
JM38510/75304BEA	JM54AC109BEA	A1
JM38510/75304BFA	JM54AC109BFA	A1
JM38510/75304S2A	JM54AC109S2A	A1
JM38510/75304SEA	JM54AC109SEA	A1
JM38510/75304SFA	JM54AC109SFA	A1
JM38510/75307B2A	JM54AC174B2A	A1
JM38510/75307BEA	JM54AC174BEA	A1
JM38510/75307BFA	JM54AC174BFA	A1
JM38510/75307S2A	JM54AC174S2A	A1
JM38510/75307SEA	JM54AC174SEA	A1
JM38510/75307SFA	JM54AC174SFA	A1
JM38510/75403B2A	JM54AC373B2A	A1
JM38510/75403BRA	JM54AC373BRA	A1
JM38510/75403BSA	JM54AC373BSA	A1
JM38510/75403S2A	JM54AC373S2A	A1
JM38510/75403SRA	JM54AC373SRA	A1
JM38510/75403SSA	JM54AC373SSA	A1
JM38510/75503B2A	JM54AC245B2A	A1
JM38510/75503BRA	JM54AC245BRA	A1
JM38510/75503BSA	JM54AC245BSA	A1
JM38510/75503S2A	JM54AC245S2A	A1
JM38510/75503SRA	JM54AC245SRA	A1
JM38510/75503SSA	JM54AC245SSA	A1
JM38510/75601B2A	JM54AC273B2A	1
JM38510/75601BRA	JM54AC273BRA	1
JM38510/75601BSA	JM54AC273BSA	1
JM38510/75601S2A	JM54AC273S2A	1
JM38510/75601SRA	JM54AC273SRA	1
JM38510/75601SSA	JM54AC273SSA	1
JM38510/75602B2A	JM54AC374B2A	1
JM38510/75602BRA	JM54AC374BRA	1
JM38510/75602BSA	JM54AC374BSA	1
JM38510/75602S2A	JM54AC374S2A	1
JM38510/75602SRA	JM54AC374SRA	1

NATIONAL SEMICONDUCTOR STANDARD MICROCIRCUIT DRAWING CROSS REFERENCE

JM38510/75602SSA	JM54AC374SSA	1
JM38510/75603B2A	JM54AC377B2A	1
JM38510/75603BRA	JM54AC377BRA	1
JM38510/75603BSA	JM54AC377BSA	1
JM38510/75603S2A	JM54AC377S2A	1
JM38510/75603SRA	JM54AC377SRA	1
JM38510/75603SSA	JM54AC377SSA	1
JM38510/75604B2A	JM54AC574B2A	1
JM38510/75604BRA	JM54AC574BRA	1
JM38510/75604BSA	JM54AC574BSA	1
JM38510/75604S2A	JM54AC574S2A	1
JM38510/75604SRA	JM54AC574SRA	1
JM38510/75604SSA	JM54AC574SSA	1
JM38510/75701B2A	JM54AC04B2A	A1
JM38510/75701BCA	JM54AC04BCA	A1
JM38510/75701BDA	JM54AC04BDA	A1
JM38510/75701S2A	JM54AC04S2A	A1
JM38510/75701SCA	JM54AC04SCA	A1
JM38510/75701SDA	JM54AC04SDA	A1
JM38510/75702B2A	JM54AC14B2A	A1
JM38510/75702BCA	JM54AC14BCA	A1
JM38510/75702BDA	JM54AC14BDA	A1
JM38510/75702S2A	JM54AC14S2A	A1
JM38510/75702SCA	JM54AC14SCA	A1
JM38510/75702SDA	JM54AC14SDA	A1
JM38510/75703B2A	JM54AC240B2A	A1
JM38510/75703BRA	JM54AC240BRA	A1
JM38510/75703BSA	JM54AC240BSA	A1
JM38510/75703S2A	JM54AC240S2A	A1
JM38510/75703SRA	JM54AC240SRA	A1
JM38510/75703SSA	JM54AC240SSA	A1
JM38510/75704B2A	JM54AC241B2A	A1
JM38510/75704BRA	JM54AC241BRA	A1
JM38510/75704BSA	JM54AC241BSA	A1
JM38510/75704S2A	JM54AC241S2A	A1
JM38510/75704SRA	JM54AC241SRA	A1
JM38510/75704SSA	JM54AC241SSA	A1
JM38510/75705B2A	JM54AC244B2A	A1
JM38510/75705BRA	JM54AC244BRA	A1
JM38510/75705BSA	JM54AC244BSA	A1
JM38510/75705S2A	JM54AC244S2A	A1
JM38510/75705SRA	JM54AC244SRA	A1
JM38510/75705SSA	JM54AC244SSA	A1
JM38510/75711B2A	JM54AC541B2A	A1
JM38510/75711BRA	JM54AC541BRA	A1
JM38510/75711BSA	JM54AC541BSA	A1
JM38510/75711S2A	JM54AC541S2A	A1
JM38510/75711SRA	JM54AC541SRA	A1
JM38510/75711SSA	JM54AC541SSA	A1
JM38510/75802B2A	JM54AC138B2A	A0
JM38510/75802BEA	JM54AC138BEA	A0
JM38510/75802BFA	JM54AC138BFA	A0
JM38510/75802S2A	JM54AC138S2A	A0
JM38510/75802SEA	JM54AC138SEA	A0
JM38510/75802SFA	JM54AC138SFA	A0
JM38510/75803B2A	JM54AC139B2A	A0
JM38510/75803BEA	JM54AC139BEA	A0
JM38510/75803BFA	JM54AC139BFA	A0
JM38510/75803S2A	JM54AC139S2A	A0
JM38510/75803SEA	JM54AC139SEA	A0
JM38510/75803SFA	JM54AC139SFA	A0
JM38510/76201B2A	JM54AC151B2A	A +
JM38510/76201BEA	JM54AC151BEA	A +
JM38510/76201BFA	JM54AC151BFA	A +
JM38510/76201S2A	JM54AC151S2A	A +
JM38510/76201SEA	JM54AC151SEA	A +
JM38510/76201SFA	JM54AC151SFA	A +
JM38510/76202B2A	JM54AC153B2A	A +
JM38510/76202BEA	JM54AC153BEA	A +
JM38510/76202BFA	JM54AC153BFA	A +
JM38510/76202S2A	JM54AC153S2A	A +

NATIONAL SEMICONDUCTOR STANDARD MICROCIRCUIT DRAWING CROSS REFERENCE

JM38510/76202SEA	JM54AC153SEA	A +
JM38510/76202SFA	JM54AC153SFA	A +
JM38510R76202SEA +	JM54AC153SEA-RH	A +
JM38510R76202SFA +	JM54AC153SFA-RH	A +
JM38510R76202S2A +	JM54AC153S2A-RH	A +
JM38510R76202BEA +	JM54AC153BEA-RH	A +
JM38510R76202BFA +	JM54AC153BFA-RH	A +
JM38510R76202B2A +	JM54AC153B2A-RH	A +
JM38510/76203B2A	JM54AC157B2A	A +
JM38510/76203BEA	JM54AC157BEA	A +
JM38510/76203BFA	JM54AC157BFA	A +
JM38510/76203S2A	JM54AC157S2A	A +
JM38510/76203SEA	JM54AC157SEA	A +
JM38510/76203SFA	JM54AC157SFA	A +
JM38510R76203SEA +	JM54AC157SEA-RH	A +
JM38510R76203SFA +	JM54AC157SFA-RH	A +
JM38510R76203S2A +	JM54AC157S2A-RH	A +
JM38510R76203BEA +	JM54AC157BEA-RH	A +
JM38510R76203BFA +	JM54AC157BFA-RH	A +
JM38510R76203B2A +	JM54AC157B2A-RH	A +
JM38510/76207B2A	JM54AC257B2A	A +
JM38510/76207BEA	JM54AC257BEA	A +
JM38510/76207BFA	JM54AC257BFA	A +
JM38510/76207S2A	JM54AC257S2A	A +
JM38510/76207SEA	JM54AC257SEA	A +
JM38510/76207SFA	JM54AC257SFA	A +
JM38510R76207SEA	JM54AC257SEA-RH	A +
JM38510R76207SFA	JM54AC257SFA-RH	A +
JM38510R76207S2A	JM54AC257S2A-RH	A +
JM38510R76207BEA	JM54AC257BEA-RH	A +
JM38510R76207BFA	JM54AC257BFA-RH	A +
JM38510R76207B2A	JM54AC257B2A-RH	A +
JM38510/76302B2A	JM54AC161B2A	1
JM38510/76302BEA	JM54AC161BEA	1
JM38510/76302BFA	JM54AC161BFA	1
JM38510/76302S2A	JM54AC161S2A	1
JM38510/76302SEA	JM54AC161SEA	1
JM38510/76302SFA	JM54AC161SFA	1
JM38510/76304B2A	JM54AC163B2A	1
JM38510/76304BEA	JM54AC163BEA	1
JM38510/76304BFA	JM54AC163BFA	1
JM38510/76304S2A	JM54AC163S2A	1
JM38510/76304SEA	JM54AC163SEA	1
JM38510/76304SFA	JM54AC163SFA	1
JM38510/76305B2A	JM54AC191B2A	1
JM38510/76305BEA	JM54AC191BEA	1
JM38510/76305BFA	JM54AC191BFA	1
JM38510/76305S2A	JM54AC191S2A	1
JM38510/76305SEA	JM54AC191SEA	1
JM38510/76305SFA	JM54AC191SFA	1
JM38510/76506B2A	JM54AC299B2A	0
JM38510/76506BRA	JM54AC299BRA	0
JM38510/76506BSA	JM54AC299BSA	0
JM38510/76506S2A	JM54AC299S2A	0
JM38510/76506SRA	JM54AC299SRA	0
JM38510/76506SSA	JM54AC299SSA	0
JM38510R75001B2A	JM54AC00B2A-RH	A1
JM38510R75001BCA	JM54AC00BCA-RH	A1
JM38510R75001BDA	JM54AC00BDA-RH	A1
JM38510R75001S2A	JM54AC00S2A-RH	A1
JM38510R75001SCA	JM54AC00SCA-RH	A1
JM38510R75001SDA	JM54AC00SDA-RH	A1
JM38510R75002B2A	JM54AC10B2A-RH	A1
JM38510R75002BCA	JM54AC10BCA-RH	A1
JM38510R75002BDA	JM54AC10BDA-RH	A1
JM38510R75002S2A	JM54AC10S2A-RH	A1
JM38510R75002SCA	JM54AC10SCA-RH	A1
JM38510R75002SDA	JM54AC10SDA-RH	A1
JM38510R75003B2A	JM54AC20B2A-RH	A1
JM38510R75003BCA	JM54AC20BCA-RH	A1
JM38510R75003BDA	JM54AC20BDA-RH	A1

NATIONAL SEMICONDUCTOR STANDARD MICROCIRCUIT DRAWING CROSS REFERENCE

JM38510R75003S2A	JM54AC20S2A-RH	A1
JM38510R75003SCA	JM54AC20SCA-RH	A1
JM38510R75003SDA	JM54AC20SDA-RH	A1
JM38510R75101B2A	JM54AC02B2A-RH	A1
JM38510R75101BCA	JM54AC02BCA-RH	A1
JM38510R75101BDA	JM54AC02BDA-RH	A1
JM38510R75101S2A	JM54AC02S2A-RH	A1
JM38510R75101SCA	JM54AC02SCA-RH	A1
JM38510R75101SDA	JM54AC02SDA-RH	A1
JM38510R75201B2A	JM54AC32B2A-RH	B0
JM38510R75201BCA	JM54AC32BCA-RH	B0
JM38510R75201BDA	JM54AC32BDA-RH	B0
JM38510R75201S2A	JM54AC32S2A-RH	B0
JM38510R75201SCA	JM54AC32SCA-RH	B0
JM38510R75201SDA	JM54AC32SDA-RH	B0
JM38510R75202B2A	JM54AC86B2A-RH	B0
JM38510R75202BCA	JM54AC86BCA-RH	B0
JM38510R75202BDA	JM54AC86BDA-RH	B0
JM38510R75202S2A	JM54AC86S2A-RH	B0
JM38510R75202SCA	JM54AC86SCA-RH	B0
JM38510R75202SDA	JM54AC86SDA-RH	B0
JM38510R75203B2A	JM54AC08B2A-RH	B0
JM38510R75203BCA	JM54AC08BCA-RH	B0
JM38510R75203BDA	JM54AC08BDA-RH	B0
JM38510R75203S2A	JM54AC08S2A-RH	B0
JM38510R75203SCA	JM54AC08SCA-RH	B0
JM38510R75203SDA	JM54AC08SDA-RH	B0
JM38510R75204B2A	JM54AC11B2A-RH	B0
JM38510R75204BCA	JM54AC11BCA-RH	B0
JM38510R75204BDA	JM54AC11BDA-RH	B0
JM38510R75204S2A	JM54AC11S2A-RH	B0
JM38510R75204SCA	JM54AC11SCA-RH	B0
JM38510R75204SDA	JM54AC11SDA-RH	B0
JM38510R75302B2A	JM54AC74B2A-RH	B0
JM38510R75302BCA	JM54AC74BCA-RH	A1
JM38510R75302BDA	JM54AC74BDA-RH	A1
JM38510R75302S2A	JM54AC74S2A-RH	A1
JM38510R75302SCA	JM54AC74SCA-RH	A1
JM38510R75302SDA	JM54AC74SDA-RH	A1
JM38510R75304B2A	JM54AC109B2A-RH	A1
JM38510R75304BEA	JM54AC109BEA-RH	A1
JM38510R75304BFA	JM54AC109BFA-RH	A1
JM38510R75304S2A	JM54AC109S2A-RH	A1
JM38510R75304SEA	JM54AC109SEA-RH	A1
JM38510R75304SFA	JM54AC109SFA-RH	A1
JM38510R75307B2A	JM54AC174B2A-RH	A1
JM38510R75307BEA	JM54AC174BEA-RH	A1
JM38510R75307BFA	JM54AC174BFA-RH	A1
JM38510R75307S2A	JM54AC174S2A-RH	A1
JM38510R75307SEA	JM54AC174SEA-RH	A1
JM38510R75307SFA	JM54AC174SFA-RH	A1
JM38510R75403B2A	JM54AC373B2A-RH	A1
JM38510R75403BRA	JM54AC373BRA-RH	A1
JM38510R75403BSA	JM54AC373BSA-RH	A1
JM38510R75403S2A	JM54AC373S2A-RH	A1
JM38510R75403SRA	JM54AC373SRA-RH	A1
JM38510R75403SSA	JM54AC373SSA-RH	A1
JM38510R75503B2A	JM54AC245B2A-RH	A1
JM38510R75503BRA	JM54AC245BRA-RH	A1
JM38510R75503BSA	JM54AC245BSA-RH	A1
JM38510R75503S2A	JM54AC245S2A-RH	A1
JM38510R75503SRA	JM54AC245SRA-RH	A1
JM38510R75503SSA	JM54AC245SSA-RH	A1
JM38510R75601B2A	JM54AC273B2A-RH	1
JM38510R75601BRA	JM54AC273BRA-RH	1
JM38510R75601BSA	JM54AC273BSA-RH	1
JM38510R75601S2A	JM54AC273S2A-RH	1
JM38510R75601SRA	JM54AC273SRA-RH	1
JM38510R75601SSA	JM54AC273SSA-RH	1
JM38510R75602B2A	JM54AC374B2A-RH	1

NATIONAL SEMICONDUCTOR STANDARD MICROCIRCUIT DRAWING CROSS REFERENCE

JM38510R75602BRA	JM54AC374BRA-RH	1
JM38510R75602BSA	JM54AC374BSA-RH	1
JM38510R75602S2A	JM54AC374S2A-RH	1
JM38510R75602SRA	JM54AC374SRA-RH	1
JM38510R75602SSA	JM54AC374SSA-RH	1
JM38510R75701B2A	JM54AC04B2A-RH	A1
JM38510R75701BCA	JM54AC04BCA-RH	A1
JM38510R75701BDA	JM54AC04BDA-RH	A1
JM38510R75701S2A	JM54AC04S2A-RH	A1
JM38510R75701SCA	JM54AC04SCA-RH	A1
JM38510R75701SDA	JM54AC04SDA-RH	A1
JM38510R75702B2A	JM54AC14B2A-RH	A1
JM38510R75702BCA	JM54AC14BCA-RH	A1
JM38510R75702BDA	JM54AC14BDA-RH	A1
JM38510R75702S2A	JM54AC14S2A-RH	A1
JM38510R75702SCA	JM54AC14SCA-RH	A1
JM38510R75702SCA	JM54AC14SCA-RH	A1
JM38510R75702SDA	JM54AC14SDA-RH	A1
JM38510R75703B2A	JM54AC240B2A-RH	A1
JM38510R75703BRA	JM54AC240BRA-RH	A1
JM38510R75703BSA	JM54AC240BSA-RH	A1
JM38510R75703S2A	JM54AC240S2A-RH	A1
JM38510R75703SRA	JM54AC240SRA-RH	A1
JM38510R75703SSA	JM54AC240SSA-RH	A1
JM38510R75704B2A	JM54AC241B2A-RH	A1
JM38510R75704BRA	JM54AC241BRA-RH	A1
JM38510R75704BSA	JM54AC241BSA-RH	A1
JM38510R75704S2A	JM54AC241S2A-RH	A1
JM38510R75704SRA	JM54AC241SRA-RH	A1
JM38510R75704SSA	JM54AC241SSA-RH	A1
JM38510R75705B2A	JM54AC244B2A-RH	A1
JM38510R75705BRA	JM54AC244BRA-RH	A1
JM38510R75705BSA	JM54AC244BSA-RH	A1
JM38510R75705S2A	JM54AC244S2A-RH	A1
JM38510R75705SRA	JM54AC244SRA-RH	A1
JM38510R75705SSA	JM54AC244SSA-RH	A1
JM38510R75802B2A	JM54AC138B2A-RH	A0
JM38510R75802BEA	JM54AC138BEA-RH	A0
JM38510R75802BFA	JM54AC138BFA-RH	A0
JM38510R75802S2A	JM54AC138S2A-RH	A0
JM38510R75802SEA	JM54AC138SEA-RH	A0
JM38510R75802SFA	JM54AC138SFA-RH	A0
JM38510R75803B2A	JM54AC139B2A-RH	A0
JM38510R75803BEA	JM54AC139BEA-RH	A0
JM38510R75803BFA	JM54AC139BFA-RH	A0
JM38510R75803S2A	JM54AC139S2A-RH	A0
JM38510R75803SEA	JM54AC139SEA-RH	A0
JM38510R75803SFA	JM54AC139SFA-RH	A0
JM38510R76302B2A	JM54AC161B2A-RH	1
JM38510R76302BEA	JM54AC161BEA-RH	1
JM38510R76302BFA	JM54AC161BFA-RH	1
JM38510R76302S2A	JM54AC161S2A-RH	1
JM38510R76302SEA	JM54AC161SEA-RH	1
JM38510R76302SFA	JM54AC161SFA-RH	1
JM38510R76305B2A	JM54AC191B2A-RH	1
JM38510R76305BEA	JM54AC191BEA-RH	1
JM38510R76305BFA	JM54AC191BFA-RH	1
JM38510R76305S2A	JM54AC191S2A-RH	1
JM38510R76305SEA	JM54AC191SEA-RH	1
JM38510R76305SFA	JM54AC191SFA-RH	1
5962-9320101QXA +	54ABT16374W-QML	B

NOTE: CHANGES FROM PREVIOUS ISSUE OF THIS LIST ARE DENOTED WITH PLUS SIGN (+)

SORT BY NATIONAL NSID-DEVICE		PACKAGE TYPE OR SINGLE MARK REASON	
	SMD/		

NATIONAL SEMICONDUCTOR STANDARD MICROCIRCUIT DRAWING CROSS REFERENCE

NATIONAL NSID	SMD/JAN DRAWING NO.	JAN REV	(P =PKG LIMITATION) (E = ELECT NON-STD)	COMMENTS
100301DMQB	5962-9152801MXA	-		X=24 LEAD DIP
100301FMQB	5962-9152801MYA	-		Y=24 LEAD FLAT
100301J-QMLV	5962-9152801VXA	-		
100301W-QMLV	5962-9152801VYA	-		
100302DMQB	5962-9152802MXA	-		X=24 LEAD DIP
100302FMQB	5962-9152802MYA	-		Y=24 LEAD FLAT
100302J-QMLV	5962-9152802VXA	-		
100302W-QMLV	5962-9152802VYA	-		
100304DMQB	5962-9153701MXA	-		X=24 LEAD DIP
100304FMQB	5962-9153701MYA	-		Y=24 LEAD FLAT
100304J-QMLV	5962-9153701VXA	-		
100304W-QMLV	5962-9153701VYA	-		
100307DMQB	5962-9459001MXA	-		X=24 LEAD DIP
100307FMQB	5962-9459001MYA	-		Y=24 LEAD FLAT
100307J-QMLV	5962-9459001VXA	-		
100307W-QMLV	5962-9459001VYA	-		
100313DMQB	5962-9673201QXA	-		X=24 LEAD DIP
100313FMQB	5962-9673201QYA	-		X=24 LEAD FLAT
100314DMQB	5962-9162901MXA	-		X=24 LEAD DIP
100314FMQB	5962-9162901MYA	-		Y=24 LEAD FLAT
100314J-QMLV	5962-9162901VXA	-		
100314W-QMLV	5962-9162901VYA	-		
100315FMQB	5962-9469601MFA	A		
100315W-QMLV	5962-9469601VFA	A		
100324DMQB	5962-9153001MXA	-		X=24 LEAD DIP
100324FMQB	5962-9153001MYA	-		Y=24 LEAD FLAT
100324J-QMLV	5962-9153001VXA	-		
100324W-QMLV	5962-9153001VYA	-		
100325DMQB	5962-9153101MXA	-		X=24 LEAD DIP
100325FMQB	5962-9153101MYA	-		Y=24 LEAD FLAT
100325J-QMLV	5962-9153101VXA	-		
100325W-QMLV	5962-9153101VYA	-		
100329DMQB	5962-9206601MXA	-		X=24 LEAD DIP
100329FMQB	5962-9206601MYA	-		Y=24 LEAD FLAT
100331DMQB	5962-9153601MXA	-		X=24 LEAD DIP
100331FMQB	5962-9153601MYA	-		Y=24 LEAD FLAT
100331J-QMLV	5962-9153601VXA	-		
100331W-QMLV	5962-9153601VYA	-		
100336DMQB	5962-9230601MXA	-		X=24 LEAD DIP
100336FMQB	5962-9230601MYA	-		Y=24 LEAD FLAT
100336J-QMLV	5962-9230601VXA	-		
100336W-QMLV	5962-9230601VYA	-		
100341DMQB	5962-9459101MXA	-		X=24 LEAD DIP
100341FMQB	5962-9459101MYA	-		Y=24 LEAD FLAT
100341J-QMLV	5962-9459101VXA	-		
100341W-QMLV	5962-9459101VYA	-		
100351DMQB	5962-9457901MXA	-		X=24 LEAD DIP
100351FMQB	5962-9457901MYA	-		Y=24 LEAD FLAT
100351J-QMLV	5962-9457901VXA	-		
100351W-QMLV	5962-9457901VYA	-		
100355DMQB	5962-9165401MXA	-		X=24 LEAD DIP
100355FMQB	5962-9165401MYA	-		Y=24 LEAD FLAT
100355J-QMLV	5962-9165401VXA	-		
100355W-QMLV	5962-9165401VYA	-		
100363DMQB	5962-9165501MXA	-		X=24 LEAD DIP
100363FMQB	5962-9165501MYA	-		Y=24 LEAD FLAT
100364DMQB	5962-9459201MXA	-		X=24 LEAD DIP
100364FMQB	5962-9459201MYA	-		Y=24 LEAD FLAT
100364J-QMLV	5962-9459201VXA	-		
100364W-QMLV	5962-9459201VYA	-		
54ABT16244W-QML	5962-9317402QXA	A		
54ABT16245W-QML	5962-9317502QXA	A		
54ABT16373W-QML	5962-9320001QXA	C		
54ABT16374W-QML	5962-9320101QXA +	B		
54ABT16500W-QML	5962-9687001QXA	A		
54ABT16646W-QML	5962-9450202QXA	A		
54ABT240E-QML	5962-9318801Q2A	B		
54ABT240J-QML	5962-9318801QRA	B		

NATIONAL SEMICONDUCTOR STANDARD MICROCIRCUIT DRAWING CROSS REFERENCE

54ABT240W-QML	5962-9318801QSA	B	
54ABT241E-QML	5962-9322701Q2A	C	
54ABT241J-QML	5962-9322701QRA	C	
54ABT241W-QML	5962-9322701QSA	C	
54ABT244E-QML	5962-9214701Q2A	A	WAS "9214701M2A"
54ABT244E-QMLV	5962-9214701V2A	A	
54ABT244J-QML	5962-9214701QRA	A	WAS "9214702M4A"
54ABT244J-QMLV	5962-9214701VRA	A	
54ABT244W-QML	5962-9214701QSA	A	WAS "9214702MSA"
54ABT244W-QMLV	5962-9214701VSA	A	
54ABT245E-QML	5962-9214801Q2A	A	
54ABT245J-QML	5962-9214801QRA	A	
54ABT245W-QML	5962-9214801QSA	A	
54ABT273E-QML	5962-9321701Q2A	B	
54ABT273J-QML	5962-9321701QRA	B	
54ABT273W-QML	5962-9321701QSA	B	
54ABT373E-QML	5962-9321801Q2A	A	
54ABT373J-QML	5962-9321801QRA	A	
54ABT373W-QML	5962-9321801QSA	A	
54ABT374E-QML	5962-9314901Q2A	B	WAS "9314901M2A"
54ABT374J-QML	5962-9314901QRA	B	WAS "9314901MRA"
54ABT374W-QML	5962-9314901QSA	B	WAS "9314901MSA"
54ABT377E-QML	5962-9314801Q2A	A	
54ABT377J-QML	5962-9314801QRA	A	
54ABT377W-QML	5962-9314801QSA	A	
54ABT541E-QML	5962-9471801Q2A	A	
54ABT541J-QML	5962-9471801QRA	A	
54ABT541W-QML	5962-9471801QSA	A	
54ABT543E-QML	5962-9231401Q3A	B	
54ABT543J-QML	5962-9231401QLA	B	
54ABT543W-QML	5962-9231401QKA	B	
54ABT573E-QML	5962-9321901Q2A	A	
54ABT573J-QML	5962-9321901QRA	A	
54ABT573W-QML	5962-9321901QSA	A	
54ABT574E-QML	5962-9322001Q2A	B	
54ABT574J-QML	5962-9322001QRA	B	
54ABT574W-QML	5962-9322001QSA	B	
54ABT646E-QML	5962-9457701Q3A	A	
54ABT646J-QML	5962-9457701QLA	A	
54ABT646W-QML	5962-9457701QKA	A	
54ABT652E-QML	5962-9324201Q3A	A+	
54ABT652J-QML	5962-9324201QLA	A+	
54ABT652W-QML	5962-9324201QKA	A+	
54AC00DMQB	5962-8754901CA	C	
54AC00FMQB	5962-8754901DA	C	
54AC00LMQB	5962-87549012A	C	
54AC02DMQB	5962-8761201CA	B	
54AC02FMQB	5962-8761201DA	B	
54AC02LMQB	5962-87612012A	B	
54AC04DMQB	5962-8760901CA	B	
54AC04FMQB	5962-8760901DA	B	
54AC04LMQB	5962-87609012A	B	
54AC05DMQB	5962-9059001MCA	A +	
54AC05FMQB	5962-9059001MDA	A +	
54AC05LMQB	5962-9059001M2A	A +	
54AC08DMQB	5962-8761501CA	B	
54AC08FMQB	5962-8761501DA	B	
54AC08LMQB	5962-87615012A	B	
54AC109DMQB	5962-8955101EA	-	
54AC109FMQB	5962-8955101FA	-	
54AC109LMQB	5962-89551012A	-	
54AC10DMQB	5962-8761001CA	A	
54AC10FMQB	5962-8761001DA	A	
54AC10LMQB	5962-87610012A	A	
54AC11DMQB	5962-8761101CA	A	
54AC11FMQB	5962-8761101DA	A	
54AC11LMQB	5962-87611012A	A	
54AC138DMQB	5962-8762201EA	A	
54AC138FMQB	5962-8762201FA	A	
54AC138LMQB	5962-87622012A	A	
54AC139DMQB	5962-8762301EA	-	

NATIONAL SEMICONDUCTOR STANDARD MICROCIRCUIT DRAWING CROSS REFERENCE

54AC139FMQB	5962-8762301FA	-
54AC139LMQB	5962-87623012A	-
54AC14DMQB	5962-8762401CA	-
54AC14FMQB	5962-8762401DA	-
54AC14LMQB	5962-87624012A	-
54AC151DMQB	5962-8769101EA	-
54AC151FMQB	5962-8769101FA	-
54AC151LMQB	5962-87691012A	-
54AC153DMQB	5962-8762501EA	A
54AC153FMQB	5962-8762501FA	A
54AC153LMQB	5962-87625012A	A
54AC157DMQB	5962-8953901EA	-
54AC157FMQB	5962-8953901FA	-
54AC157LMQB	5962-89539012A	-
54AC158DMQB	5962-8972901EA	-
54AC158FMQB	5962-8972901FA	-
54AC158LMQB	5962-89729012A	-
54AC161DMQB	5962-8956101EA	-
54AC161FMQB	5962-8956101FA	-
54AC161LMQB	5962-89561012A	-
54AC163DMQB	5962-8958201EA	-
54AC163FMQB	5962-8958201FA	-
54AC163LMQB	5962-89582012A	-
54AC169DMQB	5962-9160301MEA	-
54AC169FMQB	5962-9160301MFA	-
54AC169LMQB	5962-9160301M2A	-
54AC174DMQB	5962-8762601EA	-
54AC174FMQB	5962-8762601FA	-
54AC174LMQB	5962-87626012A	-
54AC175DMQB	5962-8955201EA	A +
54AC175E-QMLV	5962-8955201V2A +	A +
54AC175ERQMLV	5962R8955201V2A +	A +
54AC175FMQB	5962-8955201FA	A +
54AC175J-QMLV	5962-8955201VEA +	A +
54AC175JRQMLV	5962R8955201VEA +	A +
54AC175LMQB	5962-89552012A	A +
54AC175W-QMLV	5962-8955201VFA +	A +
54AC175WRQMLV	5962R8955201VFA +	A +
54AC191DMQB	5962-8974901EA	-
54AC191FMQB	5962-8974901FA	-
54AC191LMQB	5962-89749012A	-
54AC20DMQB	5962-8761301CA	-
54AC20FMQB	5962-8761301DA	-
54AC20LMQB	5962-87613012A	-
54AC240DMQB	5962-8755001RA	A
54AC240FMQB	5962-8755001SA	A
54AC240LMQB	5962-87550012A	A
54AC241DMQB	5962-8755101RA	B
54AC241FMQB	5962-8755101SA	B
54AC241LMQB	5962-87551012A	B
54AC244DMQB	5962-8755201RA	C
54AC244FMQB	5962-8755201SA	C
54AC244LMQB	5962-87552012A	C
54AC245DMQB	5962-8775801RA	A
54AC245FMQB	5962-8775801SA	A
54AC245LMQB	5962-87758012A	A
54AC251DMQB	5962-8769201EA	-
54AC251FMQB	5962-8769201FA	-
54AC251LMQB	5962-87692012A	-
54AC2525DMQB	5962-9217401MCA	-
54AC2525FMQB	5962-9217401MDA	-
54AC2525LMQB	5962-9217401M2A	-
54AC253DMQB	5962-8769301EA	-
54AC253FMQB	5962-8769301FA	-
54AC253LMQB	5962-87693012A	-
54AC257DMQB	5962-8870301EA	-
54AC257FMQB	5962-8870301FA	-
54AC257LMQB	5962-88703012A	-
54AC258DMQB	5962-9160401MEA	-
54AC258FMQB	5962-9160401MFA	-
54AC258LMQB	5962-9160401M2A	-

NATIONAL SEMICONDUCTOR STANDARD MICROCIRCUIT DRAWING CROSS REFERENCE

54AC273DMQB	5962-8775601RA	-
54AC273FMQB	5962-8775601SA	-
54AC273LMQB	5962-87756012A	-
54AC280DMQB	5962-9220101MCA	-
54AC280FMQB	5962-9220101MDA	-
54AC280LMQB	5962-9220101M2A	-
54AC299DMQB	5962-8875401RA	-
54AC299FMQB	5962-8875401SA	-
54AC299LMQB	5962-88754012A	-
54AC32DMQB	5962-8761401CA	B+
54AC32FMQB	5962-8761401DA	B+
54AC32LMQB	5962-87614012A	B+
54AC373DMQB	5962-8755501RA	A
54AC373FMQB	5962-8755501SA	A
54AC373LMQB	5962-87555012A	A
54AC374DMQB	5962-8769401RA	-
54AC374FMQB	5962-8769401SA	-
54AC374LMQB	5962-87694012A	-
54AC377DMQB	5962-8870201RA	-
54AC377FMQB	5962-8870201SA	-
54AC377LMQB	5962-88702012A	-
54AC378DMQB	5962-9160501MEA	-
54AC378FMQB	5962-9160501MFA	-
54AC378LMQB	5962-9160501M2A	-
54AC520DMQB	5962-9091601MRA	-
54AC520FMQB	5962-9091601MSA	-
54AC520LMQB	5962-9091601M2A	-
54AC521DMQB	5962-9098501MRA	A
54AC521FMQB	5962-9098501MSA	A
54AC521LMQB	5962-9098501M2A	A
54AC540DMQB	5962-8769501RA	-
54AC540FMQB	5962-8769501SA	-
54AC540LMQB	5962-87695012A	-
54AC541DMQB	5962-8870601RA	-
54AC541FMQB	5962-8870601SA	-
54AC541LMQB	5962-88706012A	-
54AC646FMQB	5962-8968201KA	-
54AC646LMQB	5962-89682013A	-
54AC646SDMQB	5962-8968201LA	-
54AC74DMQB	5962-8852001CA	-
54AC74FMQB	5962-8852001DA	-
54AC74LMQB	5962-88520012A	-
54AC821FMQB	5962-9160601MKA	-
54AC821LMQB	5962-9160601M3A	-
54AC821SDMQB	5962-9160601MLA	-
54AC86DMQB	5962-8955001CA	A
54AC86FMQB	5962-8955001DA	A
54AC86LMQB	5962-89550012A	A
54ACQ244DMQB	5962-9217601MRA	-
54ACQ244FMQB	5962-9217601MSA	-
54ACQ244LMQB	5962-9217601M2A	-
54ACQ245DMQB	5962-9217701MRA	-
54ACQ245FMQB	5962-9217701MSA	-
54ACQ245LMQB	5962-9217701M2A	-
54ACQ373DMQB	5962-9217801MRA	-
54ACQ373FMQB	5962-9217801MSA	-
54ACQ373LMQB	5962-9217801M2A	-
54ACQ374DMQB	5962-9217901MRA	-
54ACQ374FMQB	5962-9217901MSA	-
54ACQ374LMQB	5962-9217901M2A	-
54ACQ573DMQB	5962-9218001MRA	-
54ACQ573FMQB	5962-9218001MSA	-
54ACQ573LMQB	5962-9218001M2A	-
54ACT00DMQB	5962-8769901MCA	B
54ACT00FMQB	5962-8769901MDA	B
54ACT00LMQB	5962-8769901M2A	B
54ACT109DMQB	5962-8853401EA	-
54ACT109FMQB	5962-8853401FA	-
54ACT109LMQB	5962-88534012A	-
54ACT112DMQB	5962-8995001MEA	-
54ACT112FMQB	5962-8995001MFA	-

NATIONAL SEMICONDUCTOR STANDARD MICROCIRCUIT DRAWING CROSS REFERENCE

54ACT112LMQB	5962-8995001M2A	-
54ACT138DMQB	5962-8755401MEA	C +
54ACT138FMQB	5962-8755401MFA	C +
54ACT138LMQB	5962-8755401M2A	C +
54ACT139DMQB	5962-8755301EA	-
54ACT139FMQB	5962-8755301FA	-
54ACT139LMQB	5962-87553012A	-
54ACT151DMQB	5962-8875601MEA	A
54ACT151FMQB	5962-8875601MFA	A
54ACT151LMQB	5962-8875601M2A	A
54ACT153DMQB	5962-8769801EA	-
54ACT153FMQB	5962-8769801FA	-
54ACT153LMQB	5962-87698012A	-
54ACT157DMQB	5962-8968801EA	-
54ACT157FMQB	5962-8968801FA	-
54ACT157LMQB	5962-89688012A	-
54ACT158DMQB	5962-8875501EA	-
54ACT158FMQB	5962-8875501FA	-
54ACT158LMQB	5962-88755012A	-
54ACT161DMQB	5962-9172201MEA	-
54ACT161E-QMLV	5962-9172201V2A	-
54ACT161E-QMLV	5962-9172201V2A	-
54ACT161FMQB	5962-9172201MFA	-
54ACT161J-QMLV	5962-9172201VEA	-
54ACT161J-QMLV	5962-9172201VEA	-
54ACT161LMQB	5962-9172201M2A	-
54ACT161W-QMLV	5962-9172201VFA	-
54ACT161W-QMLV	5962-9172201VFA	-
54ACT163DMQB	5962-9172301MEA	-
54ACT163FMQB	5962-9172301MFA	-
54ACT163LMQB	5962-9172301M2A	-
54ACT174DMQB	5962-8775701EA	-
54ACT174FMQB	5962-8775701FA	-
54ACT174LMQB	5962-87757012A	-
54ACT175DMQB	5962-8969301EA	-
54ACT175FMQB	5962-8969301FA	-
54ACT175LMQB	5962-89693012A	-
54ACT240DMQB	5962-8775901MRA	A
54ACT240FMQB	5962-8775901MSA	A
54ACT240LMQB	5962-8775901M2A	A
54ACT241DMQB	5962-8984701RA	A
54ACT241E-QMLV	5962-8984701V2A	A
54ACT241FMQB	5962-8984701SA	A
54ACT241J-QMLV	5962-8984701VRA	A
54ACT241LMQB	5962-89847012A	A
54ACT241W-QMLV	5962-8984701VSA	A
54ACT244DMQB	5962-8776001MRA	C
54ACT244FMQB	5962-8776001MSA	C
54ACT244LMQB	5962-8776001M2A	C
54ACT245DMQB	5962-8766301MRA	B
54ACT245FMQB	5962-8766301MSA	B
54ACT245LMQB	5962-8766301M2A	B
54ACT251DMQB	5962-8959901EA	-
54ACT251FMQB	5962-8959901FA	-
54ACT251LMQB	5962-89599012A	-
54ACT253DMQB	5962-8776101EA	-
54ACT253FMQB	5962-8776101FA	-
54ACT253LMQB	5962-87761012A	-
54ACT257DMQB	5962-8968901EA	-
54ACT257FMQB	5962-8968901FA	-
54ACT257LMQB	5962-89689012A	-
54ACT258DMQB	5962-8870401EA	-
54ACT258FMQB	5962-8870401FA	-
54ACT258LMQB	5962-88704012A	-
54ACT299DMQB	5962-8877101RA	-
54ACT299FMQB	5962-8877101SA	-
54ACT299LMQB	5962-88771012A	-
54ACT323DMQB	5962-9160701MRA	-
54ACT323FMQB	5962-9160701MSA	-
54ACT323LMQB	5962-9160701M2A	-
54ACT373DMQB	5962-8755601RA	A

NATIONAL SEMICONDUCTOR STANDARD MICROCIRCUIT DRAWING CROSS REFERENCE

54ACT373FMQB	5962-8755601SA	A
54ACT373LMQB	5962-87556012A	A
54ACT374DMQB	5962-8763101RA	A
54ACT374FMQB	5962-8763101SA	A
54ACT374LMQB	5962-87631012A	A
54ACT377DMQB	5962-8769701MRA	B
54ACT377FMQB	5962-8769701MSA	B
54ACT377LMQB	5962-8769701M2A	B
54ACT520DMQB	5962-8979301RA	A
54ACT520FMQB	5962-8979301SA	A
54ACT520LMQB	5962-89793012A	A
54ACT521DMQB	5962-8979302RA	A
54ACT521FMQB	5962-8979302SA	A
54ACT521LMQB	5962-89793022A	A
54ACT534DMQB	5962-8965801RA	-
54ACT534FMQB	5962-8965801SA	-
54ACT534LMQB	5962-89658012A	-
54ACT563DMQB	5962-8955601RA	-
54ACT563FMQB	5962-8955601SA	-
54ACT563LMQB	5962-89556012A	-
54ACT564DMQB	5962-8955701RA	-
54ACT564FMQB	5962-8955701SA	-
54ACT564LMQB	5962-89557012A	-
54ACT573DMQB	5962-8766401RA	-
54ACT573FMQB	5962-8766401SA	-
54ACT573LMQB	5962-87664012A	-
54ACT574DMQB	5962-8960101MRA	B
54ACT574FMQB	5962-8960101MSA	B
54ACT574LMQB	5962-8960101M2A	B
54ACT715-RDMQB	5962-9309702MRA	-
54ACT715-RMQB	5962-9309702M2A	-
54ACT715DMQB	5962-9309701MRA	-
54ACT715LMQB	5962-9309701M2A	-
54ACT74DMQB	5962-8752501MCA	B +
54ACT74FMQB	5962-8752501MDA	B +
54ACT74LMQB	5962-8752501M2A	B +
54ACT818FMQB	5962-9160901MKA	-
54ACT818LMQB	5962-9160901M3A	-
54ACT818SDMQB	5962-9160901MLA	-
54ACT821FMQB	5962-8870501KA	-
54ACT821LMQB	5962-88705013A	-
54ACT821SDMQB	5962-8870501LA	-
54ACT823FMQB	5962-9161001MKA	-
54ACT823LMQB	5962-9161001M3A	-
54ACT823SDMQB	5962-9161001MLA	-
54ACT825FMQB	5962-9161101MKA	-
54ACT825LMQB	5962-9161101M3A	-
54ACT825SDMQB	5962-9161101MLA	-
54ACT899DMQB	5962-9314101MXA	-
54ACT899LMQB	5962-9314101M3A	-
54ACTQ02DMQB	5962-9218101MCA	-
54ACTQ02FMQB	5962-9218101MDA	-
54ACTQ02LMQB	5962-9218101M2A	-
54ACTQ04DMQB	5962-8973401CA	B+
54ACTQ04E-QMLV	5962-8973401V2A	B
54ACTQ04FMQB	5962-8973401DA	B+
54ACTQ04J-QMLV	5962-8973401VCA	B
54ACTQ04LMQB	5962-89734012A	B+
54ACTQ04W-QMLV	5962-8973401VDA	B
54ACTQ08DMQB	5962-8954702CA	B
54ACTQ08FMQB	5962-8954702DA	B
54ACTQ08LMQB	5962-89547022A	B
54ACTQ10DMQB	5962-9218201MCA	-
54ACTQ10FMQB	5962-9218201MDA	-
54ACTQ10LMQB	5962-9218201M2A	-
54ACTQ14DMQB	5962-9218301MCA	-
54ACTQ14FMQB	5962-9218301MDA	-
54ACTQ14LMQB	5962-9218301M2A	-
54ACTQ16240FMQB	5962-9688001QXA	A
54ACTQ16244FMQB	5962-9561901QXA	-
54ACTQ16244W-QV	5962-9561901VXA	-

X=48 LEAD FLAT

NATIONAL SEMICONDUCTOR STANDARD MICROCIRCUIT DRAWING CROSS REFERENCE

54ACTQ16245FMQB	5962-9562001QXA	-	X=48 LEAD FLAT
54ACTQ16245W-QV	5962-9562001VXA	-	
54ACTQ16373FMQB	5962-9561801QXA	-	X=48 LEAD FLAT
54ACTQ16374FMQB	5962-9452801QXA	-	X=48 LEAD FLAT
54ACTQ16374W-QV	5962-9452801VXA	-	X=48 LEAD FLAT
54ACTQ16646FMQB	5962-9581601QXA	-	
54ACTQ240DMQB	5962-9218401MRA	A	
54ACTQ240FMQB	5962-9218401MSA	A	
54ACTQ240LMQB	5962-9218401M2A	A	
54ACTQ241DMQB	5962-9218501MRA	-	
54ACTQ241E-QMLV	5962-9218501V2A	-	
54ACTQ241E-QMLV	5962-9218501V2A	-	
54ACTQ241FMQB	5962-9218501MSA	-	
54ACTQ241J-QMLV	5962-9218501VRA	-	
54ACTQ241J-QMLV	5962-9218501VRA	-	
54ACTQ241LMQB	5962-9218501M2A	-	
54ACTQ241W-QMLV	5962-9218501VSA	-	
54ACTQ241W-QMLV	5962-9218501VSA	-	
54ACTQ244DMQB	5962-9218601MRA	-	
54ACTQ244E-QMLV	5962-9218601V2A	-	
54ACTQ244FMQB	5962-9218601MSA	-	
54ACTQ244J-QMLV	5962-9218601VRA	-	
54ACTQ244LMQB	5962-9218601M2A	-	
54ACTQ244W-QMLV	5962-9218601VSA	-	
54ACTQ245DMQB	5962-9218701MRA	-	
54ACTQ245FMQB	5962-9218701MSA	-	
54ACTQ245LMQB	5962-9218701M2A	-	
54ACTQ273DMQB	5962-8973501RA	B	
54ACTQ273E-QMLV	5962-8973501V2A	B	
54ACTQ273FMQB	5962-8973501SA	B	
54ACTQ273J-QMLV	5962-8973501VRA	B	
54ACTQ273LMQB	5962-89735012A	B	
54ACTQ273W-QMLV	5962-8973501VSA	B	
54ACTQ32DMQB	5962-8973601CA	A	
54ACTQ32E-QMLV	5962-8973601V2A	B	
54ACTQ32ERQMLV	5962R8973601V2A	B	
54ACTQ32FMQB	5962-8973601DA	A	
54ACTQ32J-QMLV	5962-8973601VCA	B	
54ACTQ32JRQMLV	5962R8973601VCA	B	
54ACTQ32LMQB	5962-89736012A	A	
54ACTQ32W-QMLV	5962-8973601VDA	B	
54ACTQ32WRQMLV	5962R8973601VDA	B	
54ACTQ373DMQB	5962-9218801MRA	A	
54ACTQ373FMQB	5962-9218801MSA	A	
54ACTQ373LMQB	5962-9218801M2A	A	
54ACTQ374DMQB	5962-9218901MRA	-	
54ACTQ374FMQB	5962-9218901MSA	-	
54ACTQ374LMQB	5962-9218901M2A	-	
54ACTQ377DMQB	5962-9219001MRA	-	
54ACTQ377FMQB	5962-9219001MSA	-	
54ACTQ377LMQB	5962-9219001M2A	-	
54ACTQ541DMQB	5962-9682901QRA	-	
54ACTQ541FMQB	5962-9682901QSA	-	
54ACTQ541LMQB	5962-9682901Q2A	-	
54ACTQ573DMQB	5962-9219401MRA	-	
54ACTQ573FMQB	5962-9219401MSA	-	
54ACTQ573LMQB	5962-9219401M2A	-	
54ACTQ646FMQB	5962-9219601MKA	-	
54ACTQ646LMQB	5962-9219601M3A	-	
54ACTQ646SDMQB	5962-9219601MLA	-	
54ACTQ657FMQB	5962-9219701MKA	-	
54ACTQ657LMQB	5962-9219701M3A	-	
54ACTQ657SDMQB	5962-9219701MLA	-	
54ACTQ827FMQB	5962-9219901MKA	-	
54ACTQ827LMQB	5962-9219901M3A	-	
54ACTQ827SDMQB	5962-9219901MLA	-	
54ACTQ841FMQB	5962-9220001MKA	-	
54ACTQ841LMQB	5962-9220001M3A	-	
54ACTQ841SDMQB	5962-9220001MLA	-	
54F04DMQB	5962-9759301QCA	-	
54F04FMQB	5962-9759301QDA	-	

NATIONAL SEMICONDUCTOR STANDARD MICROCIRCUIT DRAWING CROSS REFERENCE

54F04LMQB	5962-9759301Q2A	-		
54F132DMQB	5962-8948701CA	-		
54F132FMQB	5962-8948701DA	-		
54F132LMQB	5962-89487012A	-		
54F138DMQB	5962-9758201QEA	-		
54F138FMQB	5962-9758201QFA	-		
54F138LMQB	5962-9758201Q2A	-		
54F14DMQB	5962-8875201CA	A		
54F14FMQB	5962-8875201DA	A		
54F14LMQB	5962-88752012A	A		
54F153DMQB	5962-9758301QEA	-		
54F153FMQB	5962-9758301QFA	-		
54F153LMQB	5962-9758301Q2A	-		
54F164ADMQB	5962-8607101CA	B		
54F164AFMQB	5962-8607101DA	B		
54F164ALMQB	5962-86071012A	B		
54F169DMQB	5962-8607201EA	C		
54F169FMQB	5962-8607201FA	C		
54F169LMQB	5962-86072012A	C		
54F181DMQB	5962-8671002JA	A		
54F181LMQB	5962-86710023A	A		
54F191DMQB	5962-9058201EA	-		
54F191FMQB	5962-9058201FA	-		
54F191LMQB	5962-90582012A	-		
54F20DMQB	5962-9758401QCA	-		
54F20FMQB	5962-9758401QDA	-		
54F20LMQB	5962-9758401Q2A	-		
54F2244DMQB	5962-9325001MRA	-		
54F2244FMQB	5962-9325001MSA	-		
54F2244LMQB	5962-9325001M2A	-		
54F243DMQB	5962-8683401CA	-	E SINGLE MARKED	H123596A
54F243FMQB	5962-8683401DA	-	E SINGLE MARKED	H123597A
54F243LMQB	5962-86834012A	-	E SINGLE MARKED	H123598A
54F273DMQB	5962-8855001RA	B		
54F273FMQB	5962-8855001SA	B		
54F273LMQB	5962-88550012A	B		
54F322DMQB	5962-8607401RA	B		
54F322FMQB	5962-8607401SA	B	LIFETIME BUY TILL 9-9-98	
54F322LMQB	5962-86074012A	B		
54F377DMQB	5962-9091001MRA	-		
54F377FMQB	5962-9091001MSA	-		
54F377LMQB	5962-9091001M2A	-		
54F378DMQB	5962-8855501EA	B		
54F378FMQB	5962-8855501FA	B		
54F378LMQB	5962-88555012A	B	LIFETIME BUY 9-9-98	
54F402DMQB	5962-9059301MEA	-		
54F402FMQB	5962-9059301MFA	-		
54F402LMQB	5962-9059301M2A	-		
54F573DMQB	5962-9173801MRA	-		
54F573FMQB	5962-9173801MSA	-	LIFETIME BUY TILL 9-9-98	
54F573LMQB	5962-9173801M2A	-		
54F646FMQB	5962-8975401KA	A		
54F646LMQB	5962-89754013A	A		
54F646SDMQB	5962-8975401LA	A		
54F648FMQB	5962-8975402KA	-		
54F648LMQB	5962-89754023A	-		
54F648SDMQB	5962-8975402LA	-		
54F652FMQB	5962-8955801KA	-		
54F652LMQB	5962-89558013A	-		
54F652SDMQB	5962-8955801LA	-		
54F657FMQB	5962-8953501KA	B	LIFETIME BUY TILL 9-9-98	
54F657LMQB	5962-89535013A	B	LIFETIME BUY TILL 9-9-98	
54F657SDMQB	5962-8953501LA	B	LIFETIME BUY TILL 9-9-98	
54F821FMQB	5962-8943801KA	-		
54F821LMQB	5962-89438013A	-		
54F821SDMQB	5962-8943801LA	-		
54F827FMQB	5962-9209001MKA	-		
54F827LMQB	5962-9209001M3A	-		
54F827SDMQB	5962-9209001MLA	-		
54FCT138DMQB	5962-8765401EA	B		
54FCT138FMQB	5962-8765401FA	B		

NATIONAL SEMICONDUCTOR STANDARD MICROCIRCUIT DRAWING CROSS REFERENCE

54FCT138LMQB	5962-87654012A	B	
54FCT240DMQB	5962-8765501RA	A	
54FCT240FMQB	5962-8765501SA	A	
54FCT240LMQB	5962-87655012A	A	
54FCT244DMQB	5962-8763001RA	B	
54FCT244FMQB	5962-8763001SA	B	
54FCT244LMQB	5962-87630012A	B	
54FCT245DMQB	5962-8762901RA	C	
54FCT245FMQB	5962-8762901SA	C	
54FCT245LMQB	5962-87629012A	C	
54FCT273DMQB	5962-8765601RA	A	
54FCT273FMQB	5962-8765601SA	A	
54FCT273LMQB	5962-87656012A	A	
54FCT373DMQB	5962-8764401RA	A	
54FCT373FMQB	5962-8764401SA	A	
54FCT373LMQB	5962-87644012A	A	
54FCT374DMQB	5962-8762801RA	C	
54FCT374FMQB	5962-8762801SA	C	
54FCT374LMQB	5962-87628012A	C	
54FCT377DMQB	5962-8762701RA	B	
54FCT377FMQB	5962-8762701SA	B	
54FCT377LMQB	5962-87627012A	B	
54FCT521DMQB	5962-8854301RA	B	
54FCT521FMQB	5962-8854301SA	B	
54FCT521LMQB	5962-88543012A	B	
54FCT533DMQB	5962-8865101RA	A	
54FCT533FMQB	5962-8865101SA	A	
54FCT533LMQB	5962-88651012A	A	
54FCT540DMQB	5962-8976701RA	-	
54FCT540FMQB	5962-8976701SA	-	
54FCT540LMQB	5962-89767012A	-	
54FCT541DMQB	5962-8976601RA	-	
54FCT541FMQB	5962-8976601SA	-	
54FCT541LMQB	5962-89766012A	-	
54FCT573DMQB	5962-8863901RA	B	
54FCT573FMQB	5962-8863901SA	B	
54FCT573LMQB	5962-88639012A	B	
54FCT574DMQB	5962-8951301RA	A	
54FCT574FMQB	5962-8951301SA	A	
54FCT574LMQB	5962-89513012A	A	
ADC0802LJ/883	5962-9096601MRA	A	LIFETIME BUY TILL 9-9-98
ADC08061CMJ-QML	5962-9551401QRA	-	
ADC0851CMJ-QML	5962-9551301QEA +	-	LIFETIME BUY TILL 12-8-98
ADC0858CMJ-QML	5962-9551302QRA +	-	LIFETIME BUY TILL 12-8-98
ADC10061CMJ-QML	5962-9232901QRA	-	
ADC10062CMJ-QML	5962-9232902QJA	-	
ADC10064CMJ-QML	5962-9232903QXA	-	X=28 LEAD DIP
ADC12062MW-QML	5962-9559301QXA	-	X=44 LEAD FLAT
ADC1241CMJ/883	5962-9157801MXA	B	LIFETIME BUY TILL 9-9-98 X=28 LEAD DIP
ADC12441CMJ/883	5962-9157802MXA	B	X=28 LEAD DIP
ADC12451CMJ-QML	5962-9157804QJA	B	
ADC1251CMJ-QML	5962-9157803QJA	B	
CD40106BMJ/883	5962-8550101CA	A	
CD4013BMJ/883	7901101CA	E	
CD4013BMW/883	7901101DA	E	
CD40174BMJ/883	8202201EA	-	
CD40174BMW/883	8202201FA	-	
CD4023BMJ/883	7901301CA	D	
CD4029BMJ/883	8101601EA	E	
CD4040BMJ/883	7705801EA	E	
CD4052BMJ/883	7901501EA	G	
CD4052BMW/883	7901501FA	G	
CD4053BMJ/883	8101803EA	F	
CD4053BMW/883	8101803FA	F	
CD4093BMJ/883	7704601CA	D	
CD4093BMW/883	7704601DA	D	
CLC110A8B	5962-8997501PA	B	
CLC110A8D	5962-8997501PC	B	LIFETIME BUY TILL 2-27-98
CLC114A8B	5962-9233901MCA	C	
CLC114A8D	5962-9233901MCC	C	LIFETIME BUY TILL 2-27-98
CLC114A8L-2	5962-9233901M2A	C	

NATIONAL SEMICONDUCTOR STANDARD MICROCIRCUIT DRAWING CROSS REFERENCE

CLC200A8AC	5962-8991001XA	B	LIFETIME BUY TILL 2-27-98
CLC200A8CC	5962-8991001XC	B	LIFETIME BUY TILL 2-27-98
CLC205A8AC	5962-9083501HXA	B	LIFETIME BUY TILL 12-9-97
CLC205A8CC	5962-9083501HXC	B	LIFETIME BUY TILL 12-9-97
CLC206A8AC	5962-8985801XA	B	LIFETIME BUY TILL 2-27-98
CLC206A8CC	5962-8985801XC	B	LIFETIME BUY TILL 2-27-98
CLC207A8AC	5962-9097701HXA	A	LIFETIME BUY TILL 12-9-97
CLC207A8CC	5962-9097701HXC	A	LIFETIME BUY TILL 12-9-97
CLC220A8AC	5962-8991101XA	B	LIFETIME BUY TILL 12-9-97
CLC220A8CC	5962-8991101XC	B	LIFETIME BUY TILL 12-9-97
CLC231A8AC	5962-8959401XA	B	LIFETIME BUY TILL 2-27-98
CLC231A8CC	5962-8959401XC	B	LIFETIME BUY TILL 2-27-98
CLC232A8AC	5962-9166501HXA	A	LIFETIME BUY TILL 12-9-97
CLC232A8CC	5962-9166501HXC	A	LIFETIME BUY TILL 12-9-97
CLC400A8B	5962-8997001PA	C	
CLC400A8D	5962-8997001PC	C	LIFETIME BUY TILL 2-27-98
CLC400A8L-2A	5962-89970012A	C	
CLC401A8B	5962-8997301PA	E +	
CLC401A8D	5962-8997301PC	E +	LIFETIME BUY TILL 2-27-98
CLC402A8B	5962-9203301MPA	-	
CLC402A8D	5962-9203301MPC	-	LIFETIME BUY TILL 2-27-98
CLC404A8D	5962-9099401MPC	C	LIFETIME BUY TILL 2-27-98
CLC406A8B	5962-9200401MPA	B	
CLC406A8D	5962-9200401MPC	B	LIFETIME BUY TILL 2-27-98
CLC409A8D	5962-9203401MPC	D +	LIFETIME BUY TILL 2-27-98
CLC409A8L-2	5962-9203401M2A	D +	
CLC410A8B	5962-9060001PA	C	
CLC410A8D	5962-9060001PC	C	LIFETIME BUY TILL 2-27-98
CLC411A8B	5962-9456601MPA	-	
CLC412A8B	5962-9471901MPA	A	
CLC412A8L-2A	5962-9471901M2A	A	
CLC414A8B	5962-9169301MCA	B	
CLC414A8D	5962-9169301MCC	B	LIFETIME BUY TILL 2-27-98
CLC414A8L-2A	5962-9169301M2A	B	
CLC415A8B	5962-9305501MCA	B	
CLC415A8D	5962-9305501MCC	B	LIFETIME BUY TILL 2-27-98
CLC420A8B	5962-9175801MPA	B	
CLC420A8D	5962-9175801MPC	B	LIFETIME BUY TILL 2-27-98
CLC420A8L-2A	5962-9175801M2A	B	
CLC420B8B	5962-9175802MPA	B	
CLC420B8D	5962-9175802MPC	B	LIFETIME BUY TILL 2-27-98
CLC420B8L-2A	5962-9175802M2A	B	
CLC425A8B	5962-9325901MPA	-	
CLC426A8B	5962-9459701MPA	-	
CLC428A8B	5962-9470801MPA	-	
CLC430A8B	5962-9203001MPA	B	
CLC430A8D	5962-9203001MPC	B	LIFETIME BUY TILL 2-27-98
CLC430A8L-2A	5962-9203001M2A	B	
CLC431A8B	5962-9472501MCA	A	
CLC431A8L-2A	5962-9472501M2A	A	
CLC432A8B	5962-9472502MPA	A	
CLC440A8B	5962-9751801MPA	-	
CLC446A8B	5962-9751901MPA	-	
CLC449A8B	5962-9752001MPA	-	
CLC501A8B	5962-8997401PA	B	
CLC501A8D	5962-8997401PC	B	LIFETIME BUY TILL 2-27-98
CLC502A8B	5962-9174301MPA	B	
CLC502A8D	5962-9174301MPC	B	LIFETIME BUY TILL 2-27-98
CLC502A8L-2A	5962-9174301M2A	B	
CLC505A8D	5962-9099301MPC	E	LIFETIME BUY TILL 2-27-98
CLC520A8D	5962-9169401MCC	D +	LIFETIME BUY TILL 2-27-98
CLC522A8D	5962-9451701MCC	A	LIFETIME BUY TILL 2-27-98
CLC522A8L-2A	5962-9451701M2A	A	
CLC532A8B	5962-9203501MCA	B	
CLC532A8D	5962-9203501MCC	B	LIFETIME BUY TILL 2-27-98
CLC532A8L-2A	5962-9203501M2A	B	
CLC533A8B	5962-9320301MEA	C	
CLC533A8L-2A	5962-9320301M2A	C	
CLC935B8AC	5962-9203901HXA	-	LIFETIME BUY TILL 2-27-98
CLC935B8CC	5962-9203901HXC	-	LIFETIME BUY TILL 2-27-98
DAC0854CMJ-QML	5962-9551201QRA	-	

NATIONAL SEMICONDUCTOR STANDARD MICROCIRCUIT DRAWING CROSS REFERENCE

DAC1054CMJ-QML	5962-9466201QJA	-	
DM54LS154J/883	8301701JA	F	
DM54LS502J/883	5962-9080001MEA	F	E LIFETIME BUY 9-9-98
DM54LS502W/883	5962-9080001MFA	-	LIFETIME BUY TILL 9-9-98
DM9328J/883	5962-9558501QEA	-	
DP8572AMD/883	5962-9164101MJA	-	OBSOLETE AS OF 10/97
DS0026H-SMD	7800802GA	F	E LIFETIME BUY 9-9-98
DS0026J-SMD	7800802CA	F	E LIFETIME BUY 9-9-98
DS1631H/883	5962-8863101GA	A	LIFETIME BUY 9-9-98
DS1631J-8/883	5962-8863101PA	A	LIFETIME BUY 9-9-98
DS1632H-SMD	5962-9052201GA	-	E LIFETIME BUY 9-9-98
DS1632J-8-SMD	5962-9052201PA	-	E LIFETIME BUY 9-9-98
DS1634H-SMD	5962-8982101GA	-	E
DS1634J-8-SMD	5962-8982101PA	-	E LIFETIME BUY 9-9-98
DS1691AJ-SMD	5962-8672101EA	B	E
DS16F95E/883	5962-89615012A	B	
DS16F95J/883	5962-8961501PA	B	
DS16F95W-SMD	5962-8961501HA	B	P
DS1776E/883	5962-9231701M3A	C	
DS1776J/883	5962-9231701MXA	C	X= 28 LEAD DIP
DS26C31ME/883	5962-9163901M2A	A	
DS26C31MJ/883	5962-9163901MEA	A	
DS26C31MW/883	5962-9163901MFA	A	
DS26C32AME/883	5962-9164001M2A	A	
DS26C32AMJ/883	5962-9164001MEA	A	
DS26C32AMW/883	5962-9164001MFA	A	
DS26F31ME/883	5962-7802302M2A	L	
DS26F31MJ/883	5962-7802302MEA	L	
DS26F31MW/883	5962-7802302MFA	L	
DS26F32ME/883	5962-7802005M2A	L	
DS26F32MJ/883	5962-7802005MEA	L	
DS26F32MW/883	5962-7802005MFA	L	
DS26LS31ME-SMD	5962-7802301Q2A	L	E
DS26LS31MJ-QMLV	5962-7802301VEA	L	E
DS26LS31MJ-SMD	5962-7802301MEA	L	E
DS26LS31MW-QMLV	5962-7802301VFA	L	E
DS26LS31MW-SMD	5962-7802301MFA	L	E
DS26LS32ME/883	5962-7802006Q2A	L	
DS26LS32MJ/883	5962-7802006QEA	L	
DS26LS32MW/883	5962-7802006QFA	L	
DS3875W/883	5962-9554301QXA	-	X=68 LEAD FLAT SINGLE MARK
DS3884AW/883	5962-9554001QXA	-	X=48 LEAD FLAT SINGLE MARK
DS3885W/883	5962-9554101QXA	-	X=48 LEAD FLAT SINGLE MARK
DS3886AW/883	5962-9554201QXA	-	X=48 LEAD FLAT SINGLE MARK
DS7820AJ-SMD	7900801CA	F	E
DS7820AW-SMD	7900801DA	F	E LIFETIME BUY 9-9-98
DS7831J-SMD	8004101EA	C	E
DS7831W-SMD	8004101FA	C	E
DS7832J-SMD	8004102EA	C	E
DS7832W-SMD	8004102FA	C	E
DS78C120J/883	5962-8963001EA	-	
DS78C20J/883	5962-9321101MCA	-	
DS90C031E-QML	5962-9583301Q2A	B +	
DS90C031W-QML	5962-9583301QFA	B +	
DS90C032E-QML	5962-9583401Q2A	A +	
DS90C032W-QML	5962-9583401QFA +	A +	PENDING
DS9622ME/883	5962-87522012A	A	
DS9622MJ/883	5962-8752201CA	A	
DS9622MW/883	5962-8752201AA	A	LIFETIME BUY TILL 9-9-98
DS9627MJ/883	5962-8978701MEA	-	
DS9636AJ/883	5962-8752301PA	A	
DS9637AMJ/883	5962-8752401PA	A	
DS9638J/883	5962-8754601PA	-	
DS96F172ME/883	5962-9076501M2A	B	
DS96F172MJ/883	5962-9076501MEA	B	
DS96F172MJ-QMLV	5962-9076501VEA	B	PENDING
DS96F173ME/883	5962-9076602M2A	B	
DS96F173MJ/883	5962-9076602MEA	B	
DS96F173MJ-QMLV	5962-9076602VEA	B	PENDING
DS96F173MW/883	5962-9076602MFA	B	
DS96F174ME/883	5962-9076502M2A	B	

NATIONAL SEMICONDUCTOR STANDARD MICROCIRCUIT DRAWING CROSS REFERENCE

DS96F174MJ/883	5962-9076502MEA	B	
DS96F174MJ-QMLV	5962-9076502VEA	B	
DS96F174MW/883	5962-9076502MFA	B	
DS96F175ME/883	5962-9076601M2A	B	
DS96F175MJ/883	5962-9076601MEA	B	
DS96F175MJ-QMLV	5962-9076601VEA	B	
DS96F175MW/883	5962-9076601MFA	B	
HPC003U20/883	5962-9054401MYC	-	Y=68 LEAD PGA
HPC083XXX/U/883	5962-9054402MYC	-	MPGB996
JD5400BCA	JM38510/00104BCA	E3	
JD5400BDA	JM38510/00104BDA	E3	
JD5400SCA	JM38510/00104SCA	E3	
JD5400SDA	JM38510/00104SDA	E3	
JD5401BCA	JM38510/00107BCA	E3	
JD5401BDA	JM38510/00107BDA	E3	
JD5402BCA	JM38510/00401BCA	C1 +	
JD5402BDA	JM38510/00401BDA	C1 +	
JD5402SCA	JM38510/00401SCA	C1 +	
JD5402SDA	JM38510/00401SDA	C1 +	
JD5403BCA	JM38510/00109BCA	E3	
JD5404BCA	JM38510/00105BCA	E3	
JD5404BDA	JM38510/00105BDA	E3	
JD5404SCA	JM38510/00105SCA	E3	
JD5404SDA	JM38510/00105SDA	E3	
JD5406BCA	JM38510/00801BCA	D1	
JD5406BDA	JM38510/00801BDA	D1	
JD5406SCA	JM38510/00801SCA	D1	
JD5406SDA	JM38510/00801SDA	D1	
JD5407BCA	JM38510/00803BCA	D1	
JD5407BDA	JM38510/00803BDA	D1	
JD5407SCA	JM38510/00803SCA	D1	
JD5407SDA	JM38510/00803SDA	D1	
JD5408BCA	JM38510/01601BCA	2	
JD5408BDA	JM38510/01601BDA	2	
JD5409BCA	JM38510/01602BCA	2	
JD5409BDA	JM38510/01602BDA	2	LIFETIME BUY TILL 9-9-98
JD5410BCA	JM38510/00103BCA	E3	
JD5410BDA	JM38510/00103BDA	E3	
JD5410SDA	JM38510/00103SDA	E3	
JD54121BCA	JM38510/01201BCA	G1	
JD54121BDA	JM38510/01201BDA	G1	
JD5414BCA	JM38510/15102BCA	A2	
JD5414BDA	JM38510/15102BDA	A2	
JD54151BEA	JM38510/01406BEA	D2	
JD54151BFA	JM38510/01406BFA	D2	
JD54153BEA	JM38510/01403BEA	D2	
JD54153BFA	JM38510/01403BFA	D2	
JD54161BEA	JM38510/01306BEA +	F7 +	OBSOLETE
JD54161SEA	JM38510/01306SEA +	F7 +	OBSOLETE
JD5416BCA	JM38510/00802BCA	D1	
JD5416BDA	JM38510/00802BDA	D1	
JD54174BEA	JM38510/01701BEA	A4	
JD54174BFA	JM38510/01701BFA	A4	
JD54175BEA	JM38510/01702BEA	A4	
JD54175BFA	JM38510/01702BFA	A4	
JD5417BCA	JM38510/00804BCA	D1	
JD5417BDA	JM38510/00804BDA	D1	LIFETIME BUY TILL 9-9-98
JD54180BCA	JM38510/01901BCA	3	
JD54180BDA	JM38510/01901BDA	3	
JD54194BEA	JM38510/00905BEA	D5	
JD5420BCA	JM38510/00102BCA	E3	
JD5420BDA	JM38510/00102BDA	E3	
JD5426BCA	JM38510/00805BCA	D1	
JD5426BDA	JM38510/00805BDA	D1	
JD5430BCA	JM38510/00101BCA	E3	
JD5430BDA	JM38510/00101BDA	E3	
JD5437BCA	JM38510/00302BCA	F3	
JD5437BDA	JM38510/00302BDA	F3	
JD5438BCA	JM38510/00303BCA	F3	LIFETIME BUY TILL 9-9-98
JD5438BDA	JM38510/00303BDA	F3	LIFETIME BUY TILL 9-9-98
JD5438SCA	JM38510/00303SCA	F3	OBSOLETE

NATIONAL SEMICONDUCTOR STANDARD MICROCIRCUIT DRAWING CROSS REFERENCE

JD5438SDA	JM38510/00303SDA	F3	OBSELETE
JD5440BCA	JM38510/00301BCA	F3	
JD5440BDA	JM38510/00301BDA	F3	
JD5442BEA	JM38510/01001BEA	C0	
JD5442BFA	JM38510/01001BFA	C0	
JD5447BEA	JM38510/01007BEA	C0	LIFETIME BUY TILL 9-9-98
JD5474BCA	JM38510/00205BCA	E7	
JD5474BDA	JM38510/00205BDA	E7	
JD5483BEA	JM38510/00602BEA	C2	
JD5483BFA	JM38510/00602BFA	C2	
JD5486BCA	JM38510/00701BCA	B2	
JD5486BDA	JM38510/00701BDA	B2	
JD5495BCA	JM38510/00901BCA	D5	LIFETIME BUY TILL 9-9-98
JD5495BDA	JM38510/00901BDA	D5	LIFETIME BUY TILL 9-9-98
JD54F00B2A	JM38510/33001B2A	B3	
JD54F00BCA	JM38510/33001BCA	B3	
JD54F00BDA	JM38510/33001BDA	B3	
JD54F00SCA	JM38510/33001SCA	B3	
JD54F00SDA	JM38510/33001SDA	B3	
JD54F02B2A	JM38510/33301B2A	B1 +	
JD54F02BCA	JM38510/33301BCA	B1 +	
JD54F02BDA	JM38510/33301BDA	B1 +	
JD54F02SCA	JM38510/33301SCA	B1 +	
JD54F02SDA	JM38510/33301SDA	B1 +	LIFETIME BUY TILL 9-9-98
JD54F04B2A	JM38510/33002B2A	B3	
JD54F04BCA	JM38510/33002BCA	B3	
JD54F04BDA	JM38510/33002BDA	B3	
JD54F04SCA	JM38510/33002SCA	B3	
JD54F04SDA	JM38510/33002SDA	B3	
JD54F08B2A	JM38510/34001B2A	C1	
JD54F08BCA	JM38510/34001BCA	C1	
JD54F08BDA	JM38510/34001BDA	C1	
JD54F08SCA	JM38510/34001SCA	C1	
JD54F08SDA	JM38510/34001SDA	C1	
JD54F109B2A	JM38510/34102B2A	E3	
JD54F109BEA	JM38510/34102BEA	E3	
JD54F109BFA	JM38510/34102BFA	E3	
JD54F109SEA	JM38510/34102SEA	E3	
JD54F10B2A	JM38510/33003B2A	B3	
JD54F10BCA	JM38510/33003BCA	B3	
JD54F10BDA	JM38510/33003BDA	B3	
JD54F10SCA	JM38510/33003SCA	B3	
JD54F10SDA	JM38510/33003SDA	B3	
JD54F11B2A	JM38510/34002B2A	C1	
JD54F11BCA	JM38510/34002BCA	C1	
JD54F11BDA	JM38510/34002BDA	C1	
JD54F11SCA	JM38510/34002SCA	C1	
JD54F11SDA	JM38510/34002SDA	C1	
JD54F138B2A	JM38510/33701B2A	A2	
JD54F138BEA	JM38510/33701BEA	A2	
JD54F138BFA	JM38510/33701BFA	A2	
JD54F138SEA	JM38510/33701SEA	A2	
JD54F138SFA	JM38510/33701SFA	A2	
JD54F139B2A	JM38510/33702B2A	A2	
JD54F139BEA	JM38510/33702BEA	A2	
JD54F139BFA	JM38510/33702BFA	A2	
JD54F139SEA	JM38510/33702SEA	A2	
JD54F139SFA	JM38510/33702SFA	A2	
JD54F151B2A	JM38510/33901B2A	C2	
JD54F151BEA	JM38510/33901BEA	C2	
JD54F151BFA	JM38510/33901BFA	C2	
JD54F151SEA	JM38510/33901SEA	C2	
JD54F151SFA	JM38510/33901SFA	C2	
JD54F153B2A	JM38510/33902B2A	C2	
JD54F153BEA	JM38510/33902BEA	C2	
JD54F153BFA	JM38510/33902BFA	C2	
JD54F153SEA	JM38510/33902SEA	C2	LIFETIME BUY TILL 9-9-98
JD54F153SFA	JM38510/33902SFA	C2	
JD54F157B2A	JM38510/33903B2A	C2	
JD54F157BEA	JM38510/33903BEA	C2	
JD54F157BFA	JM38510/33903BFA	C2	

NATIONAL SEMICONDUCTOR STANDARD MICROCIRCUIT DRAWING CROSS REFERENCE

JD54F157SEA	JM38510/33903SEA	C2	LIFETIME BUY TILL 9-9-98
JD54F157SFA	JM38510/33903SFA	C2	
JD54F158B2A	JM38510/33904B2A	C2	LIFETIME BUY TILL 9-9-98
JD54F158BEA	JM38510/33904BEA	C2	LIFETIME BUY TILL 9-9-98
JD54F158BFA	JM38510/33904BFA	C2	LIFETIME BUY TILL 9-9-98
JD54F158SEA	JM38510/33904SEA	C2	
JD54F158SFA	JM38510/33904SFA	C2	
JD54F160B2A	JM38510/34401B2A	3	LIFETIME BUY TILL 9-9-98
JD54F160BEA	JM38510/34401BEA	3	LIFETIME BUY TILL 9-9-98
JD54F160BFA	JM38510/34401BFA	3	
JD54F160SEA	JM38510/34401SEA	3	
JD54F160SFA	JM38510/34401SFA	3	
JD54F161B2A	JM38510/34301B2A	A3	
JD54F161BEA	JM38510/34301BEA	A3	
JD54F161BFA	JM38510/34301BFA	A3	
JD54F161SEA	JM38510/34301SEA	A3	
JD54F161SFA	JM38510/34301SFA	A3	
JD54F163B2A	JM38510/34302B2A	A3	
JD54F163BEA	JM38510/34302BEA	A3	
JD54F163BFA	JM38510/34302BFA	A3	
JD54F163SEA	JM38510/34302SEA	A3	
JD54F163SFA	JM38510/34302SFA	A3	
JD54F174B2A	JM38510/34107B2A	E3	
JD54F174BEA	JM38510/34107BEA	E3	
JD54F174BFA	JM38510/34107BFA	E3	
JD54F174SEA	JM38510/34107SEA	E3	
JD54F174SFA	JM38510/34107SFA	E3	
JD54F175B2A	JM38510/34104B2A	E3	
JD54F175BEA	JM38510/34104BEA	E3	
JD54F175BFA	JM38510/34104BFA	E3	
JD54F181BKA	JM38510/33801BKA	A1	
JD54F181BLA	JM38510/33801BLA	A1	
JD54F182B2A	JM38510/33802B2A	A1	
JD54F182BEA	JM38510/33802BEA	A1	
JD54F182BFA	JM38510/33802BFA	A1	
JD54F193B2A	JM38510/34304B2A	A3	
JD54F193BEA	JM38510/34304BEA	A3	
JD54F193BFA	JM38510/34304BFA	A3	
JD54F194B2A	JM38510/33601B2A	A4	
JD54F194BEA	JM38510/33601BEA	A4	
JD54F194BFA	JM38510/33601BFA	A4	
JD54F20B2A	JM38510/33004B2A	B3	
JD54F20BCA	JM38510/33004BCA	B3	
JD54F20BDA	JM38510/33004BDA	B3	
JD54F20SCA	JM38510/33004SCA	B3	
JD54F20SDA	JM38510/33004SDA	B3	
JD54F241B2A	JM38510/33202B2A	B1	
JD54F241BRA	JM38510/33202BRA	B1	
JD54F241BSA	JM38510/33202BSA	B1	
JD54F241SRA	JM38510/33202SRA	B1	
JD54F241SSA	JM38510/33202SSA	B1	
JD54F244B2A	JM38510/33203B2A	B1	
JD54F244BRA	JM38510/33203BRA	B1	
JD54F244BSA	JM38510/33203BSA	B1	
JD54F244SRA	JM38510/33203SRA	B1	
JD54F244SSA	JM38510/33203SSA	B1	
JD54F245B2A	JM38510/34803B2A	B2	
JD54F245BRA	JM38510/34803BRA	B2	
JD54F245BSA	JM38510/34803BSA	B2	
JD54F245SRA	JM38510/34803SRA	B2	
JD54F245SSA	JM38510/34803SSA	B2	
JD54F251B2A	JM38510/33905B2A	C2	
JD54F251BEA	JM38510/33905BEA	C2	
JD54F251BFA	JM38510/33905BFA	C2	
JD54F251SEA	JM38510/33905SEA	C2	
JD54F251SFA	JM38510/33905SFA	C2	
JD54F253B2A	JM38510/33908B2A	C2	
JD54F253BEA	JM38510/33908BEA	C2	
JD54F253BFA	JM38510/33908BFA	C2	
JD54F253SEA	JM38510/33908SEA	C2	
JD54F253SFA	JM38510/33908SFA	C2	

NATIONAL SEMICONDUCTOR STANDARD MICROCIRCUIT DRAWING CROSS REFERENCE

JD54F257B2A	JM38510/33906B2A	C2	
JD54F257BEA	JM38510/33906BEA	C2	
JD54F257BFA	JM38510/33906BFA	C2	
JD54F257SEA	JM38510/33906SEA	C2	
JD54F257SFA	JM38510/33906SFA	C2	
JD54F258B2A	JM38510/33907B2A	C2	
JD54F258BEA	JM38510/33907BEA	C2	
JD54F258BFA	JM38510/33907BFA	C2	LIFETIME BUY TILL 9-9-98
JD54F258SEA	JM38510/33907SEA	C2	
JD54F258SFA	JM38510/33907SFA	C2	
JD54F280B2A	JM38510/34901B2A	A2	
JD54F280BCA	JM38510/34901BCA	A2	
JD54F280BDA	JM38510/34901BDA	A2	
JD54F280SCA	JM38510/34901SCA	A2	
JD54F280SDA	JM38510/34901SDA	A2	
JD54F283B2A	JM38510/34201B2A	2	
JD54F283BEA	JM38510/34201BEA	2	
JD54F283BFA	JM38510/34201BFA	2	
JD54F283SEA	JM38510/34201SEA	2	
JD54F283SFA	JM38510/34201SFA	2	
JD54F32B2A	JM38510/33501B2A	B1	
JD54F32BCA	JM38510/33501BCA	B1	
JD54F32BDA	JM38510/33501BDA	B1	
JD54F32SCA	JM38510/33501SCA	B1	
JD54F32SDA	JM38510/33501SDA	B1	
JD54F365B2A	JM38510/35101B2A	0	
JD54F365BEA	JM38510/35101BEA	0	
JD54F365BFA	JM38510/35101BFA	0	
JD54F373B2A	JM38510/34601B2A	B2 +	
JD54F373BRA	JM38510/34601BRA	B2 +	
JD54F373BSA	JM38510/34601BSA	B2 +	
JD54F373SRA	JM38510/34601SRA	B2 +	
JD54F373SSA	JM38510/34601SSA	B2 +	
JD54F374B2A	JM38510/34105B2A	E3	
JD54F374BRA	JM38510/34105BRA	E3	
JD54F374BSA	JM38510/34105BSA	E3	
JD54F38B2A	JM38510/35202B2A	0	
JD54F38BCA	JM38510/35202BCA	0	
JD54F38BDA	JM38510/35202BDA	0	
JD54F398B2A	JM38510/35001B2A	1	
JD54F398BRA	JM38510/35001BRA	1	
JD54F398BSA	JM38510/35001BSA	1	LIFETIME BUY TILL 9-9-98
JD54F398SRA	JM38510/35001SRA	1	
JD54F398SSA	JM38510/35001SSA	1	
JD54F399B2A	JM38510/35002B2A	1	
JD54F399BEA	JM38510/35002BEA	1	
JD54F399BFA	JM38510/35002BFA	1	
JD54F399SEA	JM38510/35002SEA	1	
JD54F399SFA	JM38510/35002SFA	1	
JD54F521B2A	JM38510/34701B2A	2	
JD54F521BRA	JM38510/34701BRA	2	
JD54F521BSA	JM38510/34701BSA	2	
JD54F521SRA	JM38510/34701SRA	2	
JD54F521SSA	JM38510/34701SSA	2	
JD54F534B2A	JM38510/34106B2A	E3	
JD54F534BRA	JM38510/34106BRA	E3	
JD54F534BSA	JM38510/34106BSA	E3	LIFETIME BUY TILL 9-9-98
JD54F540B2A	JM38510/33204B2A	B1	
JD54F540BRA	JM38510/33204BRA	B1	
JD54F540BSA	JM38510/33204BSA	B1	
JD54F563B2A	JM38510/34603B2A	B2 +	
JD54F563BRA	JM38510/34603BRA	B2 +	LIFETIME BUY TILL 9-9-98
JD54F563BSA	JM38510/34603BSA	B2 +	
JD54F573B2A	JM38510/34604B2A	B2 +	
JD54F573BRA	JM38510/34604BRA	B2 +	
JD54F573BSA	JM38510/34604BSA	B2 +	
JD54F64B2A	JM38510/33401B2A	B4	
JD54F64BCA	JM38510/33401BCA	B4	
JD54F64BDA	JM38510/33401BDA	B4	
JD54F64SCA	JM38510/33401SCA	B4	LIFETIME BUY TILL 9-9-98
JD54F64SDA	JM38510/33401SDA	B4	

NATIONAL SEMICONDUCTOR STANDARD MICROCIRCUIT DRAWING CROSS REFERENCE

JD54F74B2A	JM38510/34101B2A	E3	
JD54F74BCA	JM38510/34101BCA	E3	
JD54F74BDA	JM38510/34101BDA	E3	
JD54F74SCA	JM38510/34101SCA	E3	
JD54F74SDA	JM38510/34101SDA	E3	
JD54F86B2A	JM38510/34501B2A	B0	
JD54F86BCA	JM38510/34501BCA	B0	
JD54F86BDA	JM38510/34501BDA	B0	
JD54F86SCA	JM38510/34501SCA	B0	
JD54F86SDA	JM38510/34501SDA	B0	
JD54L00BCA	JM38510/02004BCA	A2	
JD54L00BDA	JM38510/02004BDA	A2	LIFETIME BUY TILL 9-9-98
JD54L00SCA	JM38510/02004SCA	A2	OBSOLETE
JD54L00SDA	JM38510/02004SDA	A2	LIFETIME BUY TILL 9-9-98
JD54L02BCA	JM38510/02701BCA	3	
JD54L02BDA	JM38510/02701BDA	3	
JD54L02SCA	JM38510/02701SCA	3	
JD54L02SDA	JM38510/02701SDA	3	
JD54L04BCA	JM38510/02005BCA	A2	
JD54L04BDA	JM38510/02005BDA	A2	
JD54L04SCA	JM38510/02005SCA	A2	
JD54L04SDA	JM38510/02005SDA	A2	LIFETIME BUY TILL 9-9-98
JD54L10BCA	JM38510/02003BCA	A2	
JD54L10BDA	JM38510/02003BDA	A2	
JD54L10SCA	JM38510/02003SCA	A2	
JD54L10SDA	JM38510/02003SDA	A2	
JD54L73BCA	JM38510/02103BCA	D1	
JD54L73BDA	JM38510/02103BDA	D1	
JD54L73SCA	JM38510/02103SCA	D1	
JD54L73SDA	JM38510/02103SDA	D1	
JD54L74BCA	JM38510/02105BCA	D1	
JD54L74BDA	JM38510/02105BDA	D1	
JD54L74SCA	JM38510/02105SCA	D1	
JD54L74SDA	JM38510/02105SDA	D1	
JD54L86SCA	JM38510/02601SCA	6 +	
JD54L86SDA	JM38510/02601SDA	6 +	
JD54L93BCA	JM38510/02502BCA	D0	
JD54L93BDA	JM38510/02502BDA	D0	
JD54L93SCA	JM38510/02502SCA	D0	
JD54L93SDA	JM38510/02502SDA	D0	
JD54L95BCA	JM38510/02801BCA	B2	
JD54L95BDA	JM38510/02801BDA	B2	
JD54L95SCA	JM38510/02801SCA	B2	
JD54L95SDA	JM38510/02801SDA	B2	
JD54LS00B2A	JM38510/30001B2A	D2	LIFETIME BUY TILL 9-9-98
JD54LS00BCA	JM38510/30001BCA	D2	
JD54LS00BDA	JM38510/30001BDA	D2	
JD54LS00SCA	JM38510/30001SCA	D2	
JD54LS00SDA	JM38510/30001SDA	D2	
JD54LS02B2A	JM38510/30301B2A	C1	LIFETIME BUY TILL 9-9-98
JD54LS02BCA	JM38510/30301BCA	C1	
JD54LS02BDA	JM38510/30301BDA	C1	
JD54LS02SCA	JM38510/30301SCA	C1	
JD54LS02SDA	JM38510/30301SDA	C1	
JD54LS03B2A	JM38510/30002B2A	D2	LIFETIME BUY TILL 9-9-98
JD54LS03BCA	JM38510/30002BCA	D2	
JD54LS03BDA	JM38510/30002BDA	D2	
JD54LS03SCA	JM38510/30002SCA	D2	
JD54LS03SDA	JM38510/30002SDA	D2	
JD54LS04B2A	JM38510/30003B2A	D2	
JD54LS04BCA	JM38510/30003BCA	D2	
JD54LS04BDA	JM38510/30003BDA	D2	
JD54LS04SCA	JM38510/30003SCA	D2	
JD54LS04SDA	JM38510/30003SDA	D2	
JD54LS05B2A	JM38510/30004B2A	D2	
JD54LS05BCA	JM38510/30004BCA	D2	
JD54LS05BDA	JM38510/30004BDA	D2	
JD54LS05SCA	JM38510/30004SCA	D2	
JD54LS05SDA	JM38510/30004SDA	D2	
JD54LS08B2A	JM38510/31004B2A	C2	
JD54LS08BCA	JM38510/31004BCA	C2	

NATIONAL SEMICONDUCTOR STANDARD MICROCIRCUIT DRAWING CROSS REFERENCE

JD54LS08BDA	JM38510/31004BDA	C2	
JD54LS109B2A	JM38510/30109B2A	D0	
JD54LS109BEA	JM38510/30109BEA	D0	
JD54LS109BFA	JM38510/30109BFA	D0	
JD54LS10B2A	JM38510/30005B2A	D2	
JD54LS10BCA	JM38510/30005BCA	D2	
JD54LS10BDA	JM38510/30005BDA	D2	
JD54LS10SCA	JM38510/30005SCA	D2	
JD54LS10SDA	JM38510/30005SDA	D2	
JD54LS11B2A	JM38510/31001B2A	C2	
JD54LS11BCA	JM38510/31001BCA	C2	
JD54LS11BDA	JM38510/31001BDA	C2	
JD54LS11SCA	JM38510/31001SCA	C2	
JD54LS138B2A	JM38510/30701B2A	C0	LIFETIME BUY TILL 9-9-98
JD54LS138BEA	JM38510/30701BEA	C0	
JD54LS138BFA	JM38510/30701BFA	C0	
JD54LS138SEA	JM38510/30701SEA	C0	
JD54LS138SFA	JM38510/30701SFA	C0	
JD54LS139B2A	JM38510/30702B2A	C0	LIFETIME BUY TILL 9-9-98
JD54LS139BEA	JM38510/30702BEA	C0	
JD54LS139BFA	JM38510/30702BFA	C0	
JD54LS139SEA	JM38510/30702SEA	C0	
JD54LS139SFA	JM38510/30702SFA	C0	
JD54LS151B2A	JM38510/30901B2A	D4	
JD54LS151BEA	JM38510/30901BEA	D4	
JD54LS151BFA	JM38510/30901BFA	D4	
JD54LS151S2A	JM38510/30901S2A	D4	
JD54LS151SEA	JM38510/30901SEA	D4	
JD54LS151SFA	JM38510/30901SFA	D4	
JD54LS153B2A	JM38510/30902B2A	D4	
JD54LS153BEA	JM38510/30902BEA	D4	
JD54LS153BFA	JM38510/30902BFA	D4	
JD54LS153SEA	JM38510/30902SEA	D4	
JD54LS153SFA	JM38510/30902SFA	D4	
JD54LS157B2A	JM38510/30903B2A	D4	
JD54LS157BEA	JM38510/30903BEA	D4	
JD54LS157BFA	JM38510/30903BFA	D4	
JD54LS157SEA	JM38510/30903SEA	D4	
JD54LS157SFA	JM38510/30903SFA	D4	LIFETIME BUY TILL 9-9-98
JD54LS158B2A	JM38510/30904B2A	D4	LIFETIME BUY TILL 9-9-98
JD54LS158BEA	JM38510/30904BEA	D4	
JD54LS158BFA	JM38510/30904BFA	D4	
JD54LS158SEA	JM38510/30904SEA	D4	
JD54LS158SFA	JM38510/30904SFA	D4	
JD54LS161ABEA	JM38510/31504BEA	C3	LIFETIME BUY TILL 9-9-98
JD54LS161B2A	JM38510/31504B2A	C3	
JD54LS161BFA	JM38510/31504BFA	C3	
JD54LS164B2A	JM38510/30605B2A	D2	
JD54LS164BCA	JM38510/30605BCA	D2	
JD54LS164BDA	JM38510/30605BDA	D2	
JD54LS164SCA	JM38510/30605SCA	D2	
JD54LS164SDA	JM38510/30605SDA	D2	
JD54LS169BEA	JM38510/31506BEA	C3 +	
JD54LS174B2A	JM38510/30106B2A	D0	
JD54LS174BEA	JM38510/30106BEA	D0	
JD54LS174BFA	JM38510/30106BFA	D0	
JD54LS174SEA	JM38510/30106SEA	D0	
JD54LS174SFA	JM38510/30106SFA	D0	
JD54LS175B2A	JM38510/30107B2A	D0	
JD54LS175BEA	JM38510/30107BEA	D0	
JD54LS175BFA	JM38510/30107BFA	D0	
JD54LS175S2A	JM38510/30107S2A	D0	
JD54LS175SEA	JM38510/30107SEA	D0	
JD54LS175SFA	JM38510/30107SFA	D0	
JD54LS193B2A	JM38510/31508B2A	C3 +	
JD54LS193BEA	JM38510/31508BEA	C3 +	
JD54LS193BFA	JM38510/31508BFA	C3 +	
JD54LS193S2A	JM38510/31508S2A	C3 +	
JD54LS193SEA	JM38510/31508SEA	C3 +	
JD54LS193SFA	JM38510/31508SFA	C3 +	
JD54LS194B2A	JM38510/30601B2A	D2	

NATIONAL SEMICONDUCTOR STANDARD MICROCIRCUIT DRAWING CROSS REFERENCE

JD54LS194BEA	JM38510/30601BEA	D2	
JD54LS194BFA	JM38510/30601BFA	D2	LIFETIME BUY TILL 9-9-98
JD54LS194SEA	JM38510/30601SEA	D2	
JD54LS194SFA	JM38510/30601SFA	D2	LIFETIME BUY TILL 9-9-98
JD54LS20B2A	JM38510/30007B2A	D2	
JD54LS20BCA	JM38510/30007BCA	D2	LIFETIME BUY TILL 9-9-98
JD54LS20BDA	JM38510/30007BDA	D2	LIFETIME BUY TILL 9-9-98
JD54LS20SCA	JM38510/30007SCA	D2	LIFETIME BUY TILL 9-9-98
JD54LS20SDA	JM38510/30007SD	D2	
JD54LS21BCA	JM38510/31003BCA	C2	LIFETIME BUY TILL 9-9-98
JD54LS21BDA	JM38510/31003BDA	C2	LIFETIME BUY TILL 9-9-98
JD54LS21SCA	JM38510/31003SCA	C2	
JD54LS21SDA	JM38510/31003SDA	C2	
JD54LS240B2A	JM38510/32401B2A	C1	
JD54LS240BRA	JM38510/32401BRA	C1	
JD54LS240BSA	JM38510/32401BSA	C1	
JD54LS241B2A	JM38510/32402B2A	C1	
JD54LS241BRA	JM38510/32402BRA	C1	LIFETIME BUY TILL 9-9-98
JD54LS241BSA	JM38510/32402BSA	C1	LIFETIME BUY TILL 9-9-98
JD54LS244B2A	JM38510/32403B2A	C1	
JD54LS244BRA	JM38510/32403BRA	C1	
JD54LS244BSA	JM38510/32403BSA	C1	
JD54LS244SRA	JM38510/32403SRA	C1	
JD54LS244SSA	JM38510/32403SSA	C1	
JD54LS251B2A	JM38510/30905B2A	D4	
JD54LS251BEA	JM38510/30905BEA	D4	
JD54LS251BFA	JM38510/30905BFA	D4	
JD54LS251SEA	JM38510/30905SEA	D4	LIFETIME BUY TILL 9-9-98
JD54LS251SFA	JM38510/30905SFA	D4	
JD54LS253B2A	JM38510/30908B2A	D4	LIFETIME BUY TILL 9-9-98
JD54LS253BEA	JM38510/30908BEA	D4	LIFETIME BUY TILL 9-9-98
JD54LS253BFA	JM38510/30908BFA	D4	LIFETIME BUY TILL 9-9-98
JD54LS253SEA	JM38510/30908SEA	D4	
JD54LS253SFA	JM38510/30908SFA	D4	
JD54LS257B2A	JM38510/30906B2A	D4	LIFETIME BUY TILL 9-9-98
JD54LS257BEA	JM38510/30906BEA	D4	
JD54LS257BFA	JM38510/30906BFA	D4	
JD54LS259B2A	JM38510/31603B2A	D1	
JD54LS259BEA	JM38510/31603BEA	D1	
JD54LS259BFA	JM38510/31603BFA	D1	
JD54LS273B2A	JM38510/32501B2A	C1	
JD54LS273BRA	JM38510/32501BRA	C1	
JD54LS273BSA	JM38510/32501BSA	C1	
JD54LS279B2A	JM38510/31602B2A	D1	LIFETIME BUY TILL 9-9-98
JD54LS279BEA	JM38510/31602BEA	D1	
JD54LS279BFA	JM38510/31602BFA	D1	LIFETIME BUY TILL 9-9-98
JD54LS27B2A	JM38510/30302B2A	C1	
JD54LS27BCA	JM38510/30302BCA	C1	
JD54LS27BDA	JM38510/30302BDA	C1	
JD54LS27SCA	JM38510/30302SCA	C1	
JD54LS27SDA	JM38510/30302SDA	C1	LIFETIME BUY TILL 9-9-98
JD54LS283B2A	JM38510/31202B2A	B1	
JD54LS283BEA	JM38510/31202BEA	B1	
JD54LS283BFA	JM38510/31202BFA	B1	
JD54LS283SFA	JM38510/31202SFA +	B1	OBSOLETE
JD54LS30B2A	JM38510/30009B2A	D2	LIFETIME BUY TILL 9-9-98
JD54LS30BCA	JM38510/30009BCA	D2	
JD54LS30BDA	JM38510/30009BDA	D2	
JD54LS30SCA	JM38510/30009SCA	D2	
JD54LS30SDA	JM38510/30009SDA	D2	
JD54LS32B2A	JM38510/30501B2A	B2	LIFETIME BUY TILL 9-9-98
JD54LS32BCA	JM38510/30501BCA	B2	
JD54LS32BDA	JM38510/30501BDA	B2	
JD54LS365B2A	JM38510/32201B2A	B5	
JD54LS365BEA	JM38510/32201BEA	B5	
JD54LS365BFA	JM38510/32201BFA	B5	
JD54LS367B2A	JM38510/32203B2A	B5	
JD54LS367BEA	JM38510/32203BEA	B5	
JD54LS367BFA	JM38510/32203BFA	B5	
JD54LS367SEA	JM38510/32203SEA	B5	
JD54LS367SFA	JM38510/32203SFA	B5	LIFETIME BUY TILL 9-9-98

NATIONAL SEMICONDUCTOR STANDARD MICROCIRCUIT DRAWING CROSS REFERENCE

JD54LS368B2A	JM38510/32204B2A	B5	LIFETIME BUY TILL 9-9-98
JD54LS368BEA	JM38510/32204BEA	B5	
JD54LS368BFA	JM38510/32204BFA	B5	
JD54LS42SEA	JM38510/30703SEA	C0	
JD54LS42SFA	JM38510/30703SFA	C0	
JD54LS51B2A	JM38510/30401B2A	B2	LIFETIME BUY TILL 9-9-98
JD54LS51BCA	JM38510/30401BCA	B2	LIFETIME BUY TILL 9-9-98
JD54LS51BDA	JM38510/30401BDA	B2	LIFETIME BUY TILL 9-9-98
JD54LS54B2A	JM38510/30402B2A	B2	
JD54LS54BCA	JM38510/30402BCA	B2	
JD54LS54BDA	JM38510/30402BDA	B2	LIFETIME BUY TILL 9-9-98
JD54LS670BEA	JM38510/31901BEA	B2	
JD54LS74B2A	JM38510/30102B2A	D0	
JD54LS74BCA	JM38510/30102BCA	D0	
JD54LS74BDA	JM38510/30102BDA	D0	
JD54LS74S2A	JM38510/30102S2A	D0	
JD54LS74SCA	JM38510/30102SCA	D0	
JD54LS74SDA	JM38510/30102SDA	D0	
JD54LS83B2A	JM38510/31201B2A	B1	
JD54LS83BEA	JM38510/31201BEA	B1	LIFETIME BUY TILL 9-9-98
JD54LS83BFA	JM38510/31201BFA	B1	LIFETIME BUY TILL 9-9-98
JD54LS85B2A	JM38510/31101B2A	B3	LIFETIME BUY TILL 9-9-98
JD54LS85BEA	JM38510/31101BEA	B3	
JD54LS85BFA	JM38510/31101BFA	B3	LIFETIME BUY TILL 9-9-98
JD54LS85SEA	JM38510/31101SEA	B3	
JD54LS85SFA	JM38510/31101SFA	B3	
JD54LS86B2A	JM38510/30502B2A	B2	LIFETIME BUY TILL 9-9-98
JD54LS86BCA	JM38510/30502BCA	B2	
JD54LS86BDA	JM38510/30502BDA	B2	
JD54LS86SCA	JM38510/30502SCA	B2	
JD54LS86SDA	JM38510/30502SDA	B2	
JD55107BCA	JM38510/10401BCA	B1	
JD55107BDA	JM38510/10401BDA	B1	LIFETIME BUY TILL 9-9-98
JD55115BEA	JM38510/10404BEA	B1	
JD55115BFA	JM38510/10404BFA	B1	
JD9309BEA	JM38510/01404BEA	D2	
JD9309BFA	JM38510/01404BFA	D2	
JD9322BEA	JM38510/01405BEA	D2	
JD9322BFA	JM38510/01405BFA	D2	
JD9601BCA	JM38510/01204BCA	G1	
JD9601BDA	JM38510/01204BDA	G1	
JD9602BEA	JM38510/01205BEA	G1	
JD9602BFA	JM38510/01205BFA	G1	
JD9930BCA	JM38510/03001BCA	A1	
JD9930BDA	JM38510/03001BDA	A1	
JD9936BCA	JM38510/03003BCA	A1	
JD9936BDA	JM38510/03003BDA	A1	
JD9946BCA	JM38510/03004BCA	A1	
JD9946BDA	JM38510/03004BDA	A1	
JD9962BCA	JM38510/03005BCA	A1	LIFETIME BUY TILL 9-9-98
JD9962BDA	JM38510/03005BDA	A1	LIFETIME BUY TILL 9-9-98
JL101ABCA	JM38510/10103BCA	G2	
JL101ABGA	JM38510/10103BGA	G2	
JL101ABHA	JM38510/10103BHA	G2	
JL101ABPA	JM38510/10103BPA	G2	
JL101ASCA	JM38510/10103SCA	G2	
JL101ASGA	JM38510/10103SGA	G2	
JL101ASHA	JM38510/10103SHA	G2	
JL101ASPA	JM38510/10103SPA	G2	
JL108ABCA	JM38510/10104BCA	G2	
JL108ABGA	JM38510/10104BGA	G2	
JL108ABHA	JM38510/10104BHA	G2	
JL108ABPA	JM38510/10104BPA	G2	
JL108ASCA	JM38510/10104SCA	G2	
JL108ASGA	JM38510/10104SGA	G2	
JL108ASHA	JM38510/10104SHA	G2	
JL108ASPA	JM38510/10104SPA	G2	
JL109BXA	JM38510/10701BXA	C0	X=H 3 LEAD TO39
JL109BYA	JM38510/10701BYA	C0	Y=K 2 LEAD TO3
JL109SXA	JM38510/10701SXA	C0	X=H 3 LEAD TO39
JL111BCA	JM38510/10304BCA	E1	

NATIONAL SEMICONDUCTOR STANDARD MICROCIRCUIT DRAWING CROSS REFERENCE

JL111BGA	JM38510/10304BGA	E1	
JL111BHA	JM38510/10304BHA	E1	
JL111BPA	JM38510/10304BPA	E1	
JL111SGA	JM38510/10304SGA	E1	
JL111SHA	JM38510/10304SHA	E1	
JL111SPA	JM38510/10304SPA	E1	
JL117BXA	JM38510/11703BXA	A3	X=H 3 LEAD TO39
JL117BYA	JM38510/11704BYA	A3	Y=K 2 LEAD TO3
JL117SXA	JM38510/11703SXA	A3	X=H 3 LEAD TO39
JL117SYA	JM38510/11704SYA	A3	Y=K 2 LEAD TO3
JL118BCA	JM38510/10107BCA	G2	
JL118BGA	JM38510/10107BGA	G2	
JL118BHA	JM38510/10107BHA	G2	
JL118BPA	JM38510/10107BPA	G2	
JL118SCA	JM38510/10107SCA	G2	
JL118SGA	JM38510/10107SGA	G2	
JL118SHA	JM38510/10107SHA	G2	LIFETIME BUY TILL 9-9-98
JL118SPA	JM38510/10107SPA	G2	
JL119BCA	JM38510/10306BCA	E1	
JL119BIA	JM38510/10306BIA	E1	
JL120-12BXA	JM38510/11502BXA	A1	X=H 3 LEAD TO39
JL120-12BYA	JM38510/11506BYA	A1	Y=K 2 LEAD TO3
JL120-12SXA	JM38510/11502SXA	A1	LIFETIME BUY TILL 9-9-98 X=H 3 LEAD TO39
JL120-12SYA	JM38510/11506SYA	A1	OBSOLETE Y=K 2 LEAD TO3
JL120-15BXA	JM38510/11503BXA	A1	X=H 3 LEAD TO39
JL120-15BYA	JM38510/11507BYA	A1	Y=K 2 LEAD TO3
JL120-15SXA	JM38510/11503SXA	A1	X=H 3 LEAD TO39
JL120-15SYA	JM38510/11507SYA	A1	OBSOLETE Y=K 2 LEAD TO3
JL120-5BXA	JM38510/11501BXA	A1	X=H 3 LEAD TO39
JL120-5BYA	JM38510/11505BYA	A1	Y=K 2 LEAD TO3
JL120-5SXA	JM38510/11501SXA	A1	X=H 3 LEAD TO39
JL120-5SYA	JM38510/11505SYA	A1	Y=K 2 LEAD TO3
JL124ABCA	JM38510/11006BCA	B1	
JL124ABDA	JM38510/11006BDA	B1	
JL124ASCA	JM38510/11006SCA	B1	
JL124ASDA	JM38510/11006SDA	B1	
JL124BCA	JM38510/11005BCA	B1	
JL124BDA	JM38510/11005BDA	B1	
JL124SCA	JM38510/11005SCA	B1	
JL124SDA	JM38510/11005SDA	B1	
JL137BXA	JM38510/11803BXA	4	X=H 3 LEAD TO39
JL137BYA	JM38510/11804BYA	4	Y=K 2 LEAD TO3
JL137SXA	JM38510/11803SXA	4	X=H 3 LEAD TO39
JL137SYA	JM38510/11804SYA	4	Y=K 2 LEAD TO3
JL139BCA	JM38510/11201BCA	A3	
JL139BDA	JM38510/11201BDA	A3	
JL139SCA	JM38510/11201SCA	A3	
JL139SDA	JM38510/11201SDA	A3	
JL140-12BXA	JM38510/10703BXA	C0	X=H 3 LEAD TO39
JL140-12BYA	JM38510/10707BYA	C0	Y=K 2 LEAD TO3
JL140-12SXA	JM38510/10703SXA	C0	X=H 3 LEAD TO39
JL140-12SYA	JM38510/10707SYA	C0	Y=K 2 LEAD TO3
JL140-15BXA	JM38510/10704BXA	C0	X=H 3 LEAD TO39
JL140-15BYA	JM38510/10708BYA	C0	Y=K 2 LEAD TO3
JL140-15SXA	JM38510/10704SXA	C0	X=H 3 LEAD TO39
JL140-15SYA	JM38510/10708SYA	C0	OBSOLETE Y=K 2 LEAD TO3
JL140-24BYA	JM38510/10709BYA	C0	LIFETIME BUY TILL 9-9-98 Y=K 2 LEAD TO3
JL140-5BXA	JM38510/10702BXA	C0	Y=K 2 LEAD TO3
JL140-5BYA	JM38510/10706BYA	C0	X=H 3 LEAD TO39
JL140-5SXA	JM38510/10702SXA	C0	Y=K 2 LEAD TO3
JL140-5SYA	JM38510/10706SYA	C0	X=H 3 LEAD TO39
JL147BCA	JM38510/11906BCA	A1	Y=K 2 LEAD TO3
JL148BCA	JM38510/11001BCA	B1	
JL148BDA	JM38510/11001BDA	B1	
JL148SCA	JM38510/11001SCA	B1	
JL148SDA	JM38510/11001SDA	B1	
JL1558BGA	JM38510/10108BGA	G2	
JL1558SGA	JM38510/10108SGA	G2	OBSOLETE
JL155BGA	JM38510/11401BGA	A6	
JL156BGA	JM38510/11402BGA	A6	
JL156SGA	JM38510/11402SGA	A6	

NATIONAL SEMICONDUCTOR STANDARD MICROCIRCUIT DRAWING CROSS REFERENCE

JL193BGA	JM38510/11202BGA	A3	
JL193BPA	JM38510/11202BPA	A3	
JL198BGA	JM38510/12501BGA	1	
JL198SGA	JM38510/12501SGA	1	
JL2111BEA	JM38510/10305BEA +	E1	LIFETIME BUY TILL 6-9-98
JL2111SEA	JM38510/10305SEA	E1	OBSOLETE
JL2951BGA	5962-3870501BGA	C	
JL2951BPA	5962-3870501BPA	C	
JL2951S2A	5962-3870501S2A	C	
JL2951SGA	5962-3870501SGA	C	
JL2951SPA	5962-3870501SPA	C	
JL3045BCA	JM38510/10802BCA +	2	LIFETIME BUY TILL 12-8-98
JL3045SCA	JM38510/10802SCA +	2	LIFETIME BUY TILL 12-8-98
JL411BGA	JM38510/11904BGA	A1	
JL411BPA	JM38510/11904BPA	A1	
JL412BGA	JM38510/11905BGA	A1	
JL412BPA	JM38510/11905BPA	A1	
JL555BGA	JM38510/10901BGA	A3	
JL555BPA	JM38510/10901BPA	A3	
JL555SGA	JM38510/10901SGA	A3	
JL555SPA	JM38510/10901SPA	A3	
JL710BCA	JM38510/10301BCA +	E1	OBSOLETE
JL710BGA	JM38510/10301BGA +	E1	OBSOLETE
JL710BHA	JM38510/10301BHA +	E1	OBSOLETE
JL711BIA	JM38510/10302BIA +	E1	OBSOLETE
JL723BCA	JM38510/10201BCA	B1	LIFETIME BUY TILL 9-9-98
JL723BIA	JM38510/10201BIA	B1	
JL723SCA	JM38510/10201SCA	B1	
JL723SIA	JM38510/10201SIA	B1	
JL741BCA	JM38510/10101BCA	G2	
JL741BGA	JM38510/10101BGA	G2	
JL741BHA	JM38510/10101BHA	G2	
JL741BPA	JM38510/10101BPA	G2	
JL741SCA	JM38510/10101SCA	G2	
JL741SGA	JM38510/10101SGA	G2	
JL741SHA	JM38510/10101SHA	G2	
JL741SPA	JM38510/10101SPA	G2	
JL747BCA	JM38510/10102BCA	G2	
JL747BDA	JM38510/10102BDA	G2	
JL747BIA	JM38510/10102BIA	G2	
JL747SCA	JM38510/10102SCA	G2	
JL747SDA	JM38510/10102SDA +	G2	LIFETIME BUY TILL 12-8-98
JL747SIA	JM38510/10102SIA	G2	
JM4001ABCA	JM38510/05202BCA	D2	
JM4001ABDA	JM38510/05202BDA	D2	LIFETIME BUY TILL 9-9-98
JM4001BBCA	JM38510/05252BCA	D2	
JM4001BBDA	JM38510/05252BDA	D2	LIFETIME BUY TILL 9-9-98
JM4007ABCA	JM38510/05301BCA	E1	
JM4007ABDA	JM38510/05301BDA	E1	
JM4011ABCA	JM38510/05001BCA	E2	
JM4011ABDA	JM38510/05001BDA	E2	
JM4012ABCA	JM38510/05002BCA	E2	
JM4012ABDA	JM38510/05002BDA	E2	
JM4013ABCA	JM38510/05101BCA	E2	
JM4013ABDA	JM38510/05101BDA	E2	
JM4013BBCA	JM38510/05151BCA	E2	
JM4013BBDA	JM38510/05151BDA	E2	
JM4014ABEA	JM38510/05702BEA	E1	
JM4015ABEA	JM38510/05703BEA	E1	
JM4015ABFA	JM38510/05703BFA	E1	
JM4017ABEA	JM38510/05601BEA	F0	
JM4018ABEA	JM38510/05602BEA	F0	
JM4018BBEA	JM38510/05652BEA	F0	
JM4019ABEA	JM38510/05302BEA	E1	
JM4019ABFA	JM38510/05302BFA	E1	
JM4019BBEA	JM38510/05352BEA	E1	
JM4020ABEA	JM38510/05603BEA	F0	
JM4020ABFA	JM38510/05603BFA	F0	LIFETIME BUY TILL 9-9-98
JM4021ABEA	JM38510/05704BEA	E1	LIFETIME BUY TILL 9-9-98
JM4022ABEA	JM38510/05604BEA	F0	LIFETIME BUY TILL 9-9-98
JM4022ABFA	JM38510/05604BFA	F0	

NATIONAL SEMICONDUCTOR STANDARD MICROCIRCUIT DRAWING CROSS REFERENCE

JM4023ABCA	JM38510/05003BCA	E2	
JM4023ABDA	JM38510/05003BDA	E2	LIFETIME BUY TILL 9-9-98
JM4025ABCA	JM38510/05204BCA	D2	
JM4025ABDA	JM38510/05204BDA	D2	
JM4025BBCA	JM38510/05254BCA	D2	
JM4027ABEA	JM38510/05102BEA	E2	
JM4027ABFA	JM38510/05102BFA	E2	
JM4049ABEA	JM38510/05503BEA	F2	
JM4049ABFA	JM38510/05503BFA	F2	
JM4050ABEA	JM38510/05504BEA	F2	
JM4050ABFA	JM38510/05504BFA	F2	
JM4050BBEA	JM38510/05554BEA	F2	
JM4050BBFA	JM38510/05554BFA	F2	
JM54AC00B2A	JM38510/75001B2A	A1	
JM54AC00B2A-RH	JM38510R75001B2A	A1	
JM54AC00BCA	JM38510/75001BCA	A1	
JM54AC00BCA-RH	JM38510R75001BCA	A1	
JM54AC00BDA	JM38510/75001BDA	A1	
JM54AC00BDA-RH	JM38510R75001BDA	A1	
JM54AC00S2A	JM38510/75001S2A	A1	
JM54AC00S2A-RH	JM38510R75001S2A	A1	
JM54AC00SCA	JM38510/75001SCA	A1	
JM54AC00SCA-RH	JM38510R75001SCA	A1	
JM54AC00SDA	JM38510/75001SDA	A1	
JM54AC00SDA-RH	JM38510R75001SDA	A1	
JM54AC02B2A	JM38510/75101B2A	A1	
JM54AC02B2A-RH	JM38510R75101B2A	A1	
JM54AC02BCA	JM38510/75101BCA	A1	
JM54AC02BCA-RH	JM38510R75101BCA	A1	
JM54AC02BDA	JM38510/75101BDA	A1	
JM54AC02BDA-RH	JM38510R75101BDA	A1	
JM54AC02S2A	JM38510/75101S2A	A1	
JM54AC02S2A-RH	JM38510R75101S2A	A1	
JM54AC02SCA	JM38510/75101SCA	A1	
JM54AC02SCA-RH	JM38510R75101SCA	A1	
JM54AC02SDA	JM38510/75101SDA	A1	
JM54AC02SDA-RH	JM38510R75101SDA	A1	
JM54AC04B2A	JM38510/75701B2A	A1	
JM54AC04B2A-RH	JM38510R75701B2A	A1	
JM54AC04BCA	JM38510/75701BCA	A1	
JM54AC04BCA-RH	JM38510R75701BCA	A1	
JM54AC04BDA	JM38510/75701BDA	A1	
JM54AC04BDA-RH	JM38510R75701BDA	A1	
JM54AC04S2A	JM38510/75701S2A	A1	
JM54AC04S2A-RH	JM38510R75701S2A	A1	
JM54AC04SCA	JM38510/75701SCA	A1	
JM54AC04SCA-RH	JM38510R75701SCA	A1	
JM54AC04SDA	JM38510/75701SDA	A1	
JM54AC04SDA-RH	JM38510R75701SDA	A1	
JM54AC05B2A	5962-9059001B2A	A +	
JM54AC05B2A-RH	5962R9059001B2A +	A +	
JM54AC05BCA	5962-9059001BCA	A +	
JM54AC05BCA-RH	5962R9059001BCA +	A +	
JM54AC05BDA	5962-9059001BDA	A +	
JM54AC05BDA-RH	5962R9059001BDA +	A +	
JM54AC05S2A	5962-9059001S2A	A +	
JM54AC05S2A-RH	5962R9059001S2A +	A +	
JM54AC05SCA	5962-9059001SCA	A +	
JM54AC05SCA-RH	5962R9059001SCA +	A +	
JM54AC05SDA	5962-9059001SDA	A +	
JM54AC05SDA-RH	5962R9059001SDA +	A +	
JM54AC08B2A	JM38510/75203B2A	B0	
JM54AC08B2A-RH	JM38510R75203B2A	B0	
JM54AC08BCA	JM38510/75203BCA	B0	
JM54AC08BCA-RH	JM38510R75203BCA	B0	
JM54AC08BDA	JM38510/75203BDA	B0	
JM54AC08BDA-RH	JM38510R75203BDA	B0	
JM54AC08S2A	JM38510/75203S2A	B0	
JM54AC08S2A-RH	JM38510R75203S2A	B0	
JM54AC08SCA	JM38510/75203SCA	B0	
JM54AC08SCA-RH	JM38510R75203SCA	B0	

NATIONAL SEMICONDUCTOR STANDARD MICROCIRCUIT DRAWING CROSS REFERENCE

JM54AC08SDA	JM38510/75203SDA	B0
JM54AC08SDA-RH	JM38510R75203SDA	B0
JM54AC109B2A	JM38510/75304B2A	A1
JM54AC109B2A-RH	JM38510R75304B2A	A1
JM54AC109BEA	JM38510/75304BEA	A1
JM54AC109BEA-RH	JM38510R75304BEA	A1
JM54AC109BFA	JM38510/75304BFA	A1
JM54AC109BFA-RH	JM38510R75304BFA	A1
JM54AC109S2A	JM38510/75304S2A	A1
JM54AC109S2A-RH	JM38510R75304S2A	A1
JM54AC109SEA	JM38510/75304SEA	A1
JM54AC109SEA-RH	JM38510R75304SEA	A1
JM54AC109SFA	JM38510/75304SFA	A1
JM54AC109SFA-RH	JM38510R75304SFA	A1
JM54AC10B2A	JM38510/75002B2A	A1
JM54AC10B2A-RH	JM38510R75002B2A	A1
JM54AC10BCA	JM38510/75002BCA	A1
JM54AC10BCA-RH	JM38510R75002BCA	A1
JM54AC10BDA	JM38510/75002BDA	A1
JM54AC10BDA-RH	JM38510R75002BDA	A1
JM54AC10S2A	JM38510/75002S2A	A1
JM54AC10S2A-RH	JM38510R75002S2A	A1
JM54AC10SCA	JM38510/75002SCA	A1
JM54AC10SCA-RH	JM38510R75002SCA	A1
JM54AC10SDA	JM38510/75002SDA	A1
JM54AC10SDA-RH	JM38510R75002SDA	A1
JM54AC11B2A	JM38510/75204B2A	B0
JM54AC11B2A-RH	JM38510R75204B2A	B0
JM54AC11BCA	JM38510/75204BCA	B0
JM54AC11BCA-RH	JM38510R75204BCA	B0
JM54AC11BDA	JM38510/75204BDA	B0
JM54AC11BDA-RH	JM38510R75204BDA	B0
JM54AC11S2A	JM38510/75204S2A	B0
JM54AC11S2A-RH	JM38510R75204S2A	B0
JM54AC11SCA	JM38510/75204SCA	B0
JM54AC11SCA-RH	JM38510R75204SCA	B0
JM54AC11SDA	JM38510/75204SDA	B0
JM54AC11SDA-RH	JM38510R75204SDA	B0
JM54AC125B2A	5962-9325301B2A	A
JM54AC125B2A-RH	5962R9325301B2A	B
JM54AC125BCA	5962-9325301BCA	A
JM54AC125BCA-RH	5962R9325301BCA	B
JM54AC125BDA	5962-9325301BDA	A
JM54AC125BDA-RH	5962R9325301BDA	B
JM54AC125S2A	5962-9325301S2A	A
JM54AC125S2A-RH	5962R9325301S2A	B
JM54AC125SCA	5962-9325301SCA	A
JM54AC125SCA-RH	5962R9325301SCA	B
JM54AC125SDA	5962-9325301SDA	A
JM54AC125SDA-RH	5962R9325301SDA	B
JM54AC138B2A	JM38510/75802B2A	A0
JM54AC138B2A-RH	JM38510R75802B2A	A0
JM54AC138BEA	JM38510/75802BEA	A0
JM54AC138BEA-RH	JM38510R75802BEA	A0
JM54AC138BFA	JM38510/75802BFA	A0
JM54AC138BFA-RH	JM38510R75802BFA	A0
JM54AC138S2A	JM38510/75802S2A	A0
JM54AC138S2A-RH	JM38510R75802S2A	A0
JM54AC138SEA	JM38510/75802SEA	A0
JM54AC138SEA-RH	JM38510R75802SEA	A0
JM54AC138SFA	JM38510/75802SFA	A0
JM54AC138SFA-RH	JM38510R75802SFA	A0
JM54AC139B2A	JM38510/75803B2A	A0
JM54AC139B2A-RH	JM38510R75803B2A	A0
JM54AC139BEA	JM38510/75803BEA	A0
JM54AC139BEA-RH	JM38510R75803BEA	A0
JM54AC139BFA	JM38510/75803BFA	A0
JM54AC139BFA-RH	JM38510R75803BFA	A0
JM54AC139S2A	JM38510/75803S2A	A0
JM54AC139S2A-RH	JM38510R75803S2A	A0
JM54AC139SEA	JM38510/75803SEA	A0

NATIONAL SEMICONDUCTOR STANDARD MICROCIRCUIT DRAWING CROSS REFERENCE

JM54AC139SEA-RH	JM38510R75803SEA	A0
JM54AC139SFA	JM38510/75803SFA	A0
JM54AC139SFA-RH	JM38510R75803SFA	A0
JM54AC14B2A	JM38510/75702B2A	A1
JM54AC14B2A-RH	JM38510R75702B2A	A1
JM54AC14BCA	JM38510/75702BCA	A1
JM54AC14BCA-RH	JM38510R75702BCA	A1
JM54AC14BDA	JM38510/75702BDA	A1
JM54AC14BDA-RH	JM38510R75702BDA	A1
JM54AC14S2A	JM38510/75702S2A	A1
JM54AC14S2A-RH	JM38510R75702S2A	A1
JM54AC14SCA	JM38510/75702SCA	A1
JM54AC14SCA-RH	JM38510R75702SCA	A1
JM54AC14SCA-RH	JM38510R75702SCA	A1
JM54AC14SDA	JM38510/75702SDA	A1
JM54AC14SDA-RH	JM38510R75702SDA	A1
JM54AC151B2A	JM38510/76201B2A	A +
JM54AC151BEA	JM38510/76201BEA	A +
JM54AC151BFA	JM38510/76201BFA	A +
JM54AC151S2A	JM38510/76201S2A	A +
JM54AC151SEA	JM38510/76201SEA	A +
JM54AC151SFA	JM38510/76201SFA	A +
JM54AC153B2A	JM38510/76202B2A	A +
JM54AC153B2A-RH	JM38510R76202B2A +	A +
JM54AC153BEA	JM38510/76202BEA	A +
JM54AC153BEA-RH	JM38510R76202BEA +	A +
JM54AC153BFA	JM38510/76202BFA	A +
JM54AC153BFA-RH	JM38510R76202BFA +	A +
JM54AC153S2A	JM38510/76202S2A	A +
JM54AC153S2A-RH	JM38510R76202S2A +	A +
JM54AC153SEA	JM38510/76202SEA	A +
JM54AC153SEA-RH	JM38510R76202SEA +	A +
JM54AC153SFA	JM38510/76202SFA	A +
JM54AC153SFA-RH	JM38510R76202SFA +	A +
JM54AC157B2A	JM38510/76203B2A	A +
JM54AC157B2A-RH	JM38510R76203B2A +	A +
JM54AC157BEA	JM38510/76203BEA	A +
JM54AC157BEA-RH	JM38510R76203BEA +	A +
JM54AC157BFA	JM38510/76203BFA	A +
JM54AC157BFA-RH	JM38510R76203BFA +	A +
JM54AC157S2A	JM38510/76203S2A	A +
JM54AC157S2A-RH	JM38510R76203S2A +	A +
JM54AC157SEA	JM38510/76203SEA	A +
JM54AC157SEA-RH	JM38510R76203SEA +	A +
JM54AC157SFA	JM38510/76203SFA	A +
JM54AC157SFA-RH	JM38510R76203SFA +	A +
JM54AC161B2A	JM38510/76302B2A	1
JM54AC161B2A-RH	JM38510R76302B2A	1
JM54AC161BEA	JM38510/76302BEA	1
JM54AC161BEA-RH	JM38510R76302BEA	1
JM54AC161BFA	JM38510/76302BFA	1
JM54AC161BFA-RH	JM38510R76302BFA	1
JM54AC161S2A	JM38510/76302S2A	1
JM54AC161S2A-RH	JM38510R76302S2A	1
JM54AC161SEA	JM38510/76302SEA	1
JM54AC161SEA-RH	JM38510R76302SEA	1
JM54AC161SFA	JM38510/76302SFA	1
JM54AC161SFA-RH	JM38510R76302SFA	1
JM54AC163B2A	JM38510/76304B2A	1
JM54AC163BEA	JM38510/76304BEA	1
JM54AC163BFA	JM38510/76304BFA	1
JM54AC163S2A	JM38510/76304S2A	1
JM54AC163SEA	JM38510/76304SEA	1
JM54AC163SFA	JM38510/76304SFA	1
JM54AC174B2A	JM38510/75307B2A	A1
JM54AC174B2A-RH	JM38510R75307B2A	A1
JM54AC174BEA	JM38510/75307BEA	A1
JM54AC174BEA-RH	JM38510R75307BEA	A1
JM54AC174BFA	JM38510/75307BFA	A1
JM54AC174BFA-RH	JM38510R75307BFA	A1
JM54AC174S2A	JM38510/75307S2A	A1

NATIONAL SEMICONDUCTOR STANDARD MICROCIRCUIT DRAWING CROSS REFERENCE

JM54AC174S2A-RH	JM38510R75307S2A	A1
JM54AC174SEA	JM38510/75307SEA	A1
JM54AC174SEA-RH	JM38510R75307SEA	A1
JM54AC174SFA	JM38510/75307SFA	A1
JM54AC174SFA-RH	JM38510R75307SFA	A1
JM54AC191B2A	JM38510/76305B2A	1
JM54AC191B2A-RH	JM38510R76305B2A	1
JM54AC191BEA	JM38510/76305BEA	1
JM54AC191BEA-RH	JM38510R76305BEA	1
JM54AC191BFA	JM38510/76305BFA	1
JM54AC191BFA-RH	JM38510R76305BFA	1
JM54AC191S2A	JM38510/76305S2A	1
JM54AC191S2A-RH	JM38510R76305S2A	1
JM54AC191SEA	JM38510/76305SEA	1
JM54AC191SEA-RH	JM38510R76305SEA	1
JM54AC191SFA	JM38510/76305SFA	1
JM54AC191SFA-RH	JM38510R76305SFA	1
JM54AC20B2A	JM38510/75003B2A	A1
JM54AC20B2A-RH	JM38510R75003B2A	A1
JM54AC20BCA	JM38510/75003BCA	A1
JM54AC20BCA-RH	JM38510R75003BCA	A1
JM54AC20BDA	JM38510/75003BDA	A1
JM54AC20BDA-RH	JM38510R75003BDA	A1
JM54AC20S2A	JM38510/75003S2A	A1
JM54AC20S2A-RH	JM38510R75003S2A	A1
JM54AC20SCA	JM38510/75003SCA	A1
JM54AC20SCA-RH	JM38510R75003SCA	A1
JM54AC20SDA	JM38510/75003SDA	A1
JM54AC20SDA-RH	JM38510R75003SDA	A1
JM54AC240B2A	JM38510/75703B2A	A1
JM54AC240B2A-RH	JM38510R75703B2A	A1
JM54AC240BRA	JM38510/75703BRA	A1
JM54AC240BRA-RH	JM38510R75703BRA	A1
JM54AC240BSA	JM38510/75703BSA	A1
JM54AC240BSA-RH	JM38510R75703BSA	A1
JM54AC240S2A	JM38510/75703S2A	A1
JM54AC240S2A-RH	JM38510R75703S2A	A1
JM54AC240SRA	JM38510/75703SRA	A1
JM54AC240SRA-RH	JM38510R75703SRA	A1
JM54AC240SSA	JM38510/75703SSA	A1
JM54AC240SSA-RH	JM38510R75703SSA	A1
JM54AC241B2A	JM38510/75704B2A	A1
JM54AC241B2A-RH	JM38510R75704B2A	A1
JM54AC241BRA	JM38510/75704BRA	A1
JM54AC241BRA-RH	JM38510R75704BRA	A1
JM54AC241BSA	JM38510/75704BSA	A1
JM54AC241BSA-RH	JM38510R75704BSA	A1
JM54AC241S2A	JM38510/75704S2A	A1
JM54AC241S2A-RH	JM38510R75704S2A	A1
JM54AC241SRA	JM38510/75704SRA	A1
JM54AC241SRA-RH	JM38510R75704SRA	A1
JM54AC241SSA	JM38510/75704SSA	A1
JM54AC241SSA-RH	JM38510R75704SSA	A1
JM54AC244B2A	JM38510/75705B2A	A1
JM54AC244B2A-RH	JM38510R75705B2A	A1
JM54AC244BRA	JM38510/75705BRA	A1
JM54AC244BRA-RH	JM38510R75705BRA	A1
JM54AC244BSA	JM38510/75705BSA	A1
JM54AC244BSA-RH	JM38510R75705BSA	A1
JM54AC244S2A	JM38510/75705S2A	A1
JM54AC244S2A-RH	JM38510R75705S2A	A1
JM54AC244SRA	JM38510/75705SRA	A1
JM54AC244SRA-RH	JM38510R75705SRA	A1
JM54AC244SSA	JM38510/75705SSA	A1
JM54AC244SSA-RH	JM38510R75705SSA	A1
JM54AC245B2A	JM38510/75503B2A	A1
JM54AC245B2A-RH	JM38510R75503B2A	A1
JM54AC245BRA	JM38510/75503BRA	A1
JM54AC245BRA-RH	JM38510R75503BRA	A1
JM54AC245BSA	JM38510/75503BSA	A1
JM54AC245BSA-RH	JM38510R75503BSA	A1

NATIONAL SEMICONDUCTOR STANDARD MICROCIRCUIT DRAWING CROSS REFERENCE

JM54AC245S2A	JM38510/75503S2A	A1
JM54AC245S2A-RH	JM38510R75503S2A	A1
JM54AC245SRA	JM38510/75503SRA	A1
JM54AC245SRA-RH	JM38510R75503SRA	A1
JM54AC245SSA	JM38510/75503SSA	A1
JM54AC245SSA-RH	JM38510R75503SSA	A1
JM54AC257B2A	JM38510/76207B2A	A +
JM54AC257B2A-RH	JM38510R76207B2A	A +
JM54AC257BEA	JM38510/76207BEA	A +
JM54AC257BEA-RH	JM38510R76207BEA	A +
JM54AC257BFA	JM38510/76207BFA	A +
JM54AC257BFA-RH	JM38510R76207BFA	A +
JM54AC257S2A	JM38510/76207S2A	A +
JM54AC257S2A-RH	JM38510R76207S2A	A +
JM54AC257SEA	JM38510/76207SEA	A +
JM54AC257SEA-RH	JM38510R76207SEA	A +
JM54AC257SFA	JM38510/76207SFA	A +
JM54AC257SFA-RH	JM38510R76207SFA	A +
JM54AC273B2A	JM38510/75601B2A	1
JM54AC273B2A-RH	JM38510R75601B2A	1
JM54AC273BRA	JM38510/75601BRA	1
JM54AC273BRA-RH	JM38510R75601BRA	1
JM54AC273BSA	JM38510/75601BSA	1
JM54AC273BSA-RH	JM38510R75601BSA	1
JM54AC273S2A	JM38510/75601S2A	1
JM54AC273S2A-RH	JM38510R75601S2A	1
JM54AC273SRA	JM38510/75601SRA	1
JM54AC273SRA-RH	JM38510R75601SRA	1
JM54AC273SSA	JM38510/75601SSA	1
JM54AC273SSA-RH	JM38510R75601SSA	1
JM54AC299B2A	JM38510/76506B2A	0
JM54AC299BRA	JM38510/76506BRA	0
JM54AC299BSA	JM38510/76506BSA	0
JM54AC299S2A	JM38510/76506S2A	0
JM54AC299SRA	JM38510/76506SRA	0
JM54AC299SSA	JM38510/76506SSA	0
JM54AC32B2A	JM38510/75201B2A	B0
JM54AC32B2A-RH	JM38510R75201B2A	B0
JM54AC32BCA	JM38510/75201BCA	B0
JM54AC32BCA-RH	JM38510R75201BCA	B0
JM54AC32BDA	JM38510/75201BDA	B0
JM54AC32BDA-RH	JM38510R75201BDA	B0
JM54AC32S2A	JM38510/75201S2A	B0
JM54AC32S2A-RH	JM38510R75201S2A	B0
JM54AC32SCA	JM38510/75201SCA	B0
JM54AC32SCA-RH	JM38510R75201SCA	B0
JM54AC32SDA	JM38510/75201SDA	B0
JM54AC32SDA-RH	JM38510R75201SDA	B0
JM54AC373B2A	JM38510/75403B2A	A1
JM54AC373B2A-RH	JM38510R75403B2A	A1
JM54AC373BRA	JM38510/75403BRA	A1
JM54AC373BRA-RH	JM38510R75403BRA	A1
JM54AC373BSA	JM38510/75403BSA	A1
JM54AC373BSA-RH	JM38510R75403BSA	A1
JM54AC373S2A	JM38510/75403S2A	A1
JM54AC373S2A-RH	JM38510R75403S2A	A1
JM54AC373SRA	JM38510/75403SRA	A1
JM54AC373SRA-RH	JM38510R75403SRA	A1
JM54AC373SSA	JM38510/75403SSA	A1
JM54AC373SSA-RH	JM38510R75403SSA	A1
JM54AC374B2A	JM38510/75602B2A	1
JM54AC374B2A-RH	JM38510R75602B2A	1
JM54AC374BRA	JM38510/75602BRA	1
JM54AC374BRA-RH	JM38510R75602BRA	1
JM54AC374BSA	JM38510/75602BSA	1
JM54AC374BSA-RH	JM38510R75602BSA	1
JM54AC374S2A	JM38510/75602S2A	1
JM54AC374S2A-RH	JM38510R75602S2A	1
JM54AC374SRA	JM38510/75602SRA	1
JM54AC374SRA-RH	JM38510R75602SRA	1
JM54AC374SSA	JM38510/75602SSA	1

NATIONAL SEMICONDUCTOR STANDARD MICROCIRCUIT DRAWING CROSS REFERENCE

JM54AC374SSA-RH	JM38510R75602SSA	1
JM54AC377B2A	JM38510/75603B2A	1
JM54AC377BRA	JM38510/75603BRA	1
JM54AC377BSA	JM38510/75603BSA	1
JM54AC377S2A	JM38510/75603S2A	1
JM54AC377SRA	JM38510/75603SRA	1
JM54AC377SSA	JM38510/75603SSA	1
JM54AC520B2A	5962-9091601B2A	-
JM54AC520BRA	5962-9091601BRA	-
JM54AC520BSA	5962-9091601BSA	-
JM54AC520S2A	5962-9091601S2A	-
JM54AC520SRA	5962-9091601SRA	-
JM54AC520SSA	5962-9091601SSA	-
JM54AC521B2A	5962-9098501B2A	A
JM54AC521B2A-RH	5962R9098501B2A	A
JM54AC521BRA	5962-9098501BRA	A
JM54AC521BRA-RH	5962R9098501BRA	A
JM54AC521BSA	5962-9098501BSA	A
JM54AC521BSA-RH	5962R9098501BSA	A
JM54AC521S2A	5962-9098501S2A	A
JM54AC521S2A-RH	5962R9098501S2A	A
JM54AC521SRA	5962-9098501SRA	A
JM54AC521SRA-RH	5962R9098501SRA	A
JM54AC521SSA	5962-9098501SSA	A
JM54AC521SSA-RH	5962R9098501SSA	A
JM54AC541B2A	JM38510/75711B2A	A1
JM54AC541BRA	JM38510/75711BRA	A1
JM54AC541BSA	JM38510/75711BSA	A1
JM54AC541S2A	JM38510/75711S2A	A1
JM54AC541SRA	JM38510/75711SRA	A1
JM54AC541SSA	JM38510/75711SSA	A1
JM54AC574B2A	JM38510/75604B2A	1
JM54AC574BRA	JM38510/75604BRA	1
JM54AC574BSA	JM38510/75604BSA	1
JM54AC574S2A	JM38510/75604S2A	1
JM54AC574SRA	JM38510/75604SRA	1
JM54AC574SSA	JM38510/75604SSA	1
JM54AC74B2A	JM38510/75302B2A	A1
JM54AC74B2A-RH	JM38510R75302B2A	B0
JM54AC74BCA	JM38510/75302BCA	A1
JM54AC74BCA-RH	JM38510R75302BCA	A1
JM54AC74BDA	JM38510/75302BDA	A1
JM54AC74BDA-RH	JM38510R75302BDA	A1
JM54AC74S2A	JM38510/75302S2A	A1
JM54AC74S2A-RH	JM38510R75302S2A	A1
JM54AC74SCA	JM38510/75302SCA	A1
JM54AC74SCA-RH	JM38510R75302SCA	A1
JM54AC74SDA	JM38510/75302SDA	A1
JM54AC74SDA-RH	JM38510R75302SDA	A1
JM54AC86B2A	JM38510/75202B2A	B0
JM54AC86B2A-RH	JM38510R75202B2A	B0
JM54AC86BCA	JM38510/75202BCA	B0
JM54AC86BCA-RH	JM38510R75202BCA	B0
JM54AC86BDA	JM38510/75202BDA	B0
JM54AC86BDA-RH	JM38510R75202BDA	B0
JM54AC86S2A	JM38510/75202S2A	B0
JM54AC86S2A-RH	JM38510R75202S2A	B0
JM54AC86SCA	JM38510/75202SCA	B0
JM54AC86SCA-RH	JM38510R75202SCA	B0
JM54AC86SDA	JM38510/75202SDA	B0
JM54AC86SDA-RH	JM38510R75202SDA	B0
JM54ACT00B2A	5962-8769901B2A	B
JM54ACT00B2A-RH	5962R8769901B2A	B
JM54ACT00BCA	5962-8769901BCA	B
JM54ACT00BCA-RH	5962R8769901BCA	B
JM54ACT00BDA	5962-8769901BDA	B
JM54ACT00BDA-RH	5962R8769901BDA	B
JM54ACT00S2A	5962-8769901S2A	B
JM54ACT00S2A-RH	5962R8769901S2A	B
JM54ACT00SCA	5962-8769901SCA	B
JM54ACT00SCA-RH	5962R8769901SCA	B

NATIONAL SEMICONDUCTOR STANDARD MICROCIRCUIT DRAWING CROSS REFERENCE

JM54ACT00SDA	5962-8769901SDA	B
JM54ACT00SDA-RH	5962R8769901SDA	B
JM54ACT112B2A	5962-8995001B2A	-
JM54ACT112BEA	5962-8995001BEA	-
JM54ACT112BF A	5962-8995001BF A	-
JM54ACT112S2A	5962-8995001S2A	-
JM54ACT112SEA	5962-8995001SEA	-
JM54ACT112SFA	5962-8995001SFA	-
JM54ACT138B2A	5962-8755401B2A	C +
JM54ACT138B2A-R	5962R8755401B2A +	C +
JM54ACT138BEA	5962-8755401BEA	C +
JM54ACT138BEA-R	5962R8755401BEA +	C +
JM54ACT138BF A	5962-8755401BF A	C +
JM54ACT138BF A-R	5962R8755401BF A +	C +
JM54ACT138S2A	5962-8755401S2A	C +
JM54ACT138S2A-R	5962R8755401S2A +	C +
JM54ACT138SEA	5962-8755401SEA	C +
JM54ACT138SEA-R	5962R8755401SEA +	C +
JM54ACT138SFA	5962-8755401SFA	C +
JM54ACT138SFA-R	5962R8755401SFA +	C +
JM54ACT151B2A	5962-8875601B2A	A
JM54ACT151BEA	5962-8875601BEA	A
JM54ACT151BF A	5962-8875601BF A	A
JM54ACT151S2A	5962-8875601S2A	A
JM54ACT151SEA	5962-8875601SEA	A
JM54ACT151SFA	5962-8875601SFA	A
JM54ACT240B2A	5962-8775901B2A	A
JM54ACT240B2A-RH	5962R8775901B2A	A
JM54ACT240BRA	5962-8775901BRA	A
JM54ACT240BRA-R	5962R8775901BRA	A
JM54ACT240BSA	5962-8775901BSA	A
JM54ACT240BSA-R	5962R8775901BSA	A
JM54ACT240S2A	5962-8775901S2A	A
JM54ACT240S2A-RH	5962R8775901S2A	A
JM54ACT240SRA	5962-8775901SRA	A
JM54ACT240SRA-R	5962R8775901SRA	A
JM54ACT240SSA	5962-8775901SSA	A
JM54ACT240SSA-R	5962R8775901SSA	A
JM54ACT244B2A	5962-8776001B2A	C
JM54ACT244B2A-RH	5962R8776001B2A	C
JM54ACT244BRA	5962-8776001BRA	C
JM54ACT244BRA-R	5962R8776001BRA	C
JM54ACT244BSA	5962-8776001BSA	C
JM54ACT244BSA-R	5962R8776001BSA	C
JM54ACT244S2A	5962-8776001S2A	C
JM54ACT244S2A-RH	5962R8776001S2A	C
JM54ACT244SRA	5962-8776001SRA	C
JM54ACT244SRA-R	5962R8776001SRA	C
JM54ACT244SSA	5962-8776001SSA	C
JM54ACT244SSA-R	5962R8776001SSA	C
JM54ACT245B2A	5962-8766301B2A	B
JM54ACT245B2A-RH	5962R8766301B2A	B
JM54ACT245BRA	5962-8766301BRA	B
JM54ACT245BRA-R	5962R8766301BRA	B
JM54ACT245BSA	5962-8766301BSA	B
JM54ACT245BSA-R	5962R8766301BSA	B
JM54ACT245S2A	5962-8766301S2A	B
JM54ACT245S2A-RH	5962R8766301S2A	B
JM54ACT245SRA	5962-8766301SRA	B
JM54ACT245SRA-R	5962R8766301SRA	B
JM54ACT245SSA	5962-8766301SSA	B
JM54ACT245SSA-R	5962R8766301SSA	B
JM54ACT377B2A	5962-8769701B2A	B
JM54ACT377BRA	5962-8769701BRA	B
JM54ACT377BSA	5962-8769701BSA	B
JM54ACT377S2A	5962-8769701S2A	B
JM54ACT377SRA	5962-8769701SRA	B
JM54ACT377SSA	5962-8769701SSA	B
JM54ACT574B2A	5962-8960101B2A	B
JM54ACT574B2A-R	5962R8960101B2A	C
JM54ACT574BRA	5962-8960101BRA	B

NATIONAL SEMICONDUCTOR STANDARD MICROCIRCUIT DRAWING CROSS REFERENCE

JM54ACT574BRA-R	5962R8960101BRA	C		
JM54ACT574BSA	5962-8960101BSA	B		
JM54ACT574BSA-R	5962R8960101BSA	C		
JM54ACT574S2A	5962-8960101S2A	B		
JM54ACT574S2A-R	5962R8960101S2A	C		
JM54ACT574SRA	5962-8960101SRA	B		
JM54ACT574SRA-R	5962R8960101SRA	C		
JM54ACT574SSA	5962-8960101SSA	B		
JM54ACT574SSA-R	5962R8960101SSA	C		
JM54ACT74B2A	5962-8752501B2A	B +		
JM54ACT74B2A-RH	5962R8752501B2A +	B +		
JM54ACT74BCA	5962-8752501BCA	B +		
JM54ACT74BCA-RH	5962R8752501BCA +	B +		
JM54ACT74BDA	5962-8752501BDA	B +		
JM54ACT74BDA-RH	5962R8752501BDA +	B +		
JM54ACT74S2A	5962-8752501S2A	B +		
JM54ACT74S2A-RH	5962R8752501S2A +	B +		
JM54ACT74SCA	5962-8752501SCA	B +		
JM54ACT74SCA-RH	5962R8752501SCA +	B +		
JM54ACT74SDA	5962-8752501SDA	B +		
JM54ACT74SDA-RH	5962R8752501SDA +	B +		
LF147J-SMD	8102306CA	F	E	
LF198H-SMD	5962-8760801GA	C	E	
LF412MH-SMD	5962-9676001QGA	-		SINGLE SMD MARK
LF412MJ-SMD	5962-9676001QPA	-		SINGLE SMD MARK
LM103H-3.0-SMD	7702806XA	E	P	X=2 LEAD TO46
LM103H-3.3-SMD	7702807XA	E	P	X=2 LEAD TO46
LM103H-3.6-SMD	7702808XA	E	OBSOLETE	X=2 LEAD TO46
LM103H-3.9-SMD	7702809XA	E	P	X=2 LEAD TO46
LM105H/883	5962-8958801GA	-		
LM106H/883	8003701GA	D		
LM107H/883	5962-8958901GA	-		
LM107J/883	5962-8958901PA	-		
LM107J-14/883	5962-8958901CA	-		
LM109K-SMD	5962-8777401YA	-	E	Y=2 LEAD TO4
LM10H/883	5962-8760401GA	C		
LM110H/883	5962-8760601GA +	A		LIFETIME BUY TILL 12-8-98
LM110J/883	5962-8760601CA +	A		LIFETIME BUY TILL 12-8-98
LM110J-8/883	5962-8760601PA +	A		LIFETIME BUY TILL 12-8-98
LM113-1H-QMLV	5962-9684302VXA	A		X=2 LEAD TO46
LM113-1H-SMD	5962-8671102XA	B	P	X=2 LEAD TO46
LM113-2H-QMLV	5962-9684303VXA	A		X=2 LEAD TO46
LM113-2H-SMD	5962-8671103XA	B	P	X=2 LEAD TO46
LM113H-QMLV	5962-9684301VXA	A		X=2 LEAD TO46
LM113H-SMD	5962-8671101XA	B	P	X=2 LEAD TO46
LM117H-SMD	7703401XA	P	E	X=3 LEAD TO39
LM117HVH-SMD	7703402XA	P	E	X=3 LEAD TO39
LM117HVK-SMD	7703402YA	P	E	Y=2 LEAD TO3
LM117K-SMD	7703401YA	P	E	Y=2 LEAD TO3
LM119E-SMD	86014012A	F +	E	
LM119H-QMLV	5962-9679801VIA	A	E	
LM119H-SMD	86014011A	F +	E	
LM119J-QMLV	5962-9679801VCA	A	E	
LM119J-SMD	8601401CA	F +	E	
LM119W-QMLV	5962-9679801VHA	A	E	
LM119W-SMD	8601401HA	F +	E	
LM119WG-SMD	8601401XA	F +	E	PENDING X=10 LEAD GULL WING
LM12458MEL/883	5962-9319501MXC	-		X=44 LEAD QUAD J BEND
LM12458MW/883	5962-9319501MYA	-		Y=44 LEAD FLAT
LM124AE/883	77043022A	L +		
LM124AJ/883	7704302CA	L +		
LM124AWG/883	7704302XA	L +		X = 14 LEAD GULL WING
LM124E/883	77043012A	L +		
LM124J/883	7704301CA	L +		
LM124WG/883	7704301XA	L +		X = 14 LEAD GULL WING
LM126H/883	5962-8993001MIA	-		LIFETIME BUY TILL 9-9-98
LM129AH-SMD	5962-8992101XA	-	P	X=2 LEAD TO46
LM129BH-SMD	5962-8992102XA	-	P	X=2 LEAD TO46
LM12H458MEL/883	5962-9319502MXC	-		X=44 LEAD QUAD J BEND
LM12H458MW/883	5962-9319502MYA	-		Y=44 LEAD FLAT
LM136AH-5.0-SMD	8418002XA	B	P	X=3 LEAD TO46

NATIONAL SEMICONDUCTOR STANDARD MICROCIRCUIT DRAWING CROSS REFERENCE

LM137H-SMD	7703403XA	P	E	X=3 LEAD TO39
LM137HVH-SMD	7703404XA	P	E	X=3 LEAD TO39
LM137HVK-SMD	7703404YA	P	E	Y=2 LEAD TO3
LM137K-SMD	7703403YA	P	E	Y=2 LEAD TO3
LM139AE-SMD	5962-87739012A	C +	E	
LM139AJ-QMLV	5962-9673801VCA	F +		
LM139AJ-SMD	5962-8773901CA	C +	E	
LM139AW-QMLV	5962-9673801VDA	F +		
LM139AW-SMD	5962-8773901DA	C +	E	
LM139AWG-QMLV	5962-9673801VXA	F +		
LM139AWG-SMD	5962-8773901XA	C +	E	PENDING X = 14 LEAD GULL WING
LM143H-SMD	7800303XA	G		LIFETIME BUY TILL 12-8-98 X=8 LEAD TO5
LM150K/883	5962-8767501XA	C		X= 2 LEAD TO3
LM1536H-SMD	7800304XA	G	OBSOLETE	
LM1575HVK12-QML	5962-9167302QXA	-		X=4 LEAD TO3
LM1575HVK15-QML	5962-9167402QXA	-		X=4 LEAD TO3
LM1575HVK5-QML	5962-9167202QXA	A		X=4 LEAD TO3
LM1575HVKAD-QML	5962-9167102QXA	A		X=4 LEAD TO3
LM1575J-12-QML	5962-9167301QEA	-		
LM1575J-15-QML	5962-9167401QEA	-		
LM1575J-5.0-QML	5962-9167201QEA	A		
LM1575J-ADJ-QML	5962-9167101MEA	A		
LM1575K-12-QML	5962-9167301QXA	-		X=4 LEAD TO3
LM1575K-15-QML	5962-9167401QXA	-		X=4 LEAD TO3
LM1575K-5.0-QML	5962-9167201MXA	A		X=4 LEAD TO3
LM1575K-ADJ-QML	5962-9167101MXA	A		X=4 LEAD TO3
LM1577K-12/883	5962-9216701MXA	-		X=4 LEAD TO3
LM1577K-15/883	5962-9216801MXA	-		X=4 LEAD TO3
LM1577K-ADJ/883	5962-9216601MXA	-		X=4 LEAD TO3
LM1578AH/883	5962-8958602GA	B		
LM1578H/883	5962-8958601GA	B		LIFETIME BUY TILL 9-9-98
LM158AH-QMLV	5962-8771002VGA	B		
LM158AH-SMD	5962-8771002GA	A	P	
LM158AJ/883	5962-8771002PA	A		
LM158AJ-QMLV	5962-8771002VPA	B		
LM158AJ-QMLV	5962-8771002VPA	B		
LM158H-SMD	5962-8771001GA	A	P	
LM158J/883	5962-8771001PA	A		
LM160H/883	5962-8767401GA +	-		LIFETIME BUY TILL 12-8-98
LM160J/883	5962-8767401PA +	-		LIFETIME BUY TILL 12-8-98
LM160J-14/883	5962-8767401CA +	-		LIFETIME BUY TILL 12-8-98
LM161H-SMD	5962-8757203IA +	A		E- LIFETIME BUY 12-8-98
LM161J-SMD	5962-8757203CA +	A		E- LIFETIME BUY 12-8-98
LM169H/883	5962-9456101MGA	A		LIFETIME BUY TILL 9-9-98
LM185BYH-SMD	5962-9091401MXA	B	P	X=3 LEAD TO46
LM185BYH1.2-SMD	5962-8759405XA	B	P	X=2 LEAD TO46
LM185BYH2.5-SMD	5962-8759406XA	B	P	X=2 LEAD TO46
LM185E-1.2/883	5962-87594012A	B		
LM185E-2.5/883	5962-87594022A	B		
LM185H-1.2-SMD	5962-8759401XA	B	P	X=2 LEAD TO46
LM185H-2.5-SMD	5962-8759402XA	B	P	X=2 LEAD TO46
LM193AH/883	5962-9452602MGA	C +		
LM193AH-QMLV	5962-9452602VGA	C +		
LM193AJ-QMLV	5962-9452602VPA	C +		
LM194H/883	5962-8777701XA	A		X=6 LEAD TO5
LM195H/883	5962-8777801XA	-		X=3 LEAD TO39
LM195K/883	5962-8777801YA	-		Y=2 LEAD TO3
LM199AH-SMD	5962-8856101XA	A	P	X=4 LEAD TO46
LM199H-SMD	5962-8856102XA	A	P	LIFETIME BUY 9-9-98
LM2595J-12-QML	5962-9650201QEA	-		PENDING
LM2595J-3.3-QML	5962-9687901QEA	-		PENDING
LM2595J-5.0-QML	5962-9650301QEA	-		PENDING
LM2595J-ADJ-QML	5962-9650401QEA	-		
LM2940J-12/883	5962-9088401QEA	D		
LM2940J-15/883	5962-9088501QEA	D		
LM2940J-5.0/883	5962-8958701EA	C		
LM2940J-8.0/883	5962-9088301QEA	A		
LM2940K-12/883	5962-9088401MYA	D		Y=2 LEAD TO3
LM2940K-15/883	5962-9088501MYA	D		Y=2 LEAD TO3
LM2940K-5.0/883	5962-8958701YA	C		Y=2 LEAD TO3
LM2940K-8.0/883	5962-9088301MYA	A		Y=2 LEAD TO3

NATIONAL SEMICONDUCTOR STANDARD MICROCIRCUIT DRAWING CROSS REFERENCE

LM2941J/883	5962-9166701QEA	-	
LM2941K/883	5962-9166701QXA	-	
LM2990J-12-QML	5962-9571001QEA	A	
LM2990J-15-QML	5962-9570901QEA	A	
LM2990J-5.0-QML	5962-9571101QEA	A	
LM2991J-QML	5962-9650501QEA	-	
LM2991J-QMLV	5962-9650501VEA	-	
LM6118E/883	5962-9156501M2A	A	
LM6118J/883	5962-9156501MPA	A	
LM6121H/883	5962-9081201MGA	B	
LM6121J/883	5962-9081201MPA	B	
LM6125H/883	5962-9081501MGA	-	
LM612AMJ/883	5962-9300201MPA +	-	LIFETIME BUY 12-8-98
LM613AME/883	5962-9300301M2A	-	LIFETIME BUY TILL 9-9-98
LM613AMJ/883	5962-9300301MEA	-	
LM6142AMJ-QML	5962-9550301QPA	A	
LM614AMJ/883	5962-9300401MEA	-	
LM6161E/883	5962-89621012A	B +	
LM6161J/883	5962-8962101PA	B +	
LM6161W-SMD	5962-8962101HA	B +	P
LM6161WG/883	5962-8962101XA +	B +	
LM6162E/883	5962-9216501M2A	B +	
LM6162J/883	5962-9216501MPA	B +	
LM6162W/883	5962-9216501MHA	B +	
LM6162WG/883	5962-9216501MXA +	B +	
LM6164E/883	5962-89624012A	B +	OBSOLETE
LM6164J/883	5962-8962401PA	B +	
LM6164W-SMD	5962-8962401HA	B +	P
LM6164WG/883	5962-8962401XA +	B +	
LM6165E/883	5962-89625012A	B +	OBSOLETE
LM6165J/883	5962-8962501PA	B +	
LM6165W-SMD	5962-8962501HA	B +	P
LM6165WG/883	5962-8962501XA +	B +	
LM6172AMJ-QML	5962-9560401QPA	-	
LM6181AMJ/883	5962-9081802MPA	A	
LM6182AMJ/883	5962-9460301MCA	-	
LM709H/883	7800701GA	C	
LM7171AMJ-QML	5962-9553601QPA	C +	
LM7171AMJ-QMLV	5962-9553601VPA	C +	PENDING
LM7171AMW-QML	5962-9553601QHA	C +	PENDING
LM7171AMWG-QML	5962-9553601QXA	C +	PENDING
LM7171AMWG-QMLV	5962-9553601VXA	C +	PENDING
LM725H/883	5962-9552901MGA	-	
LM759H/883	5962-9086201MGA	-	OBSOLETE
LM760H/883	5962-8754501GA	A	
LM760J/883	5962-8754501CA	A	
LM78S40J/883	5962-8876101EA	-	
LMC555H/883	5962-8950305GA	E	LIFETIME BUY 9-9-98
LMC555J/883	5962-8950305PA	E	
LMC6061AMJ/883	5962-9460401MPA	-	
LMC6062AMJ/883	5962-9209403MPA	B	
LMC6064AMJ/883	5962-9209303MCA	B	
LMC6462AMJ-QML	5962-9560301QPA	B +	
LMC6464AMJ-QML	5962-9560302QCA	B +	
LMC6464AMWG-QML	5962-9560302QXA	B +	
LMC6482AMJ/883	5962-9453401MPA	C +	
LMC6484AMJ/883	5962-9453402MCA	C +	
LMC6484AMWG/883	5962-9453402QXA	C +	
LMC660AMJ/883	5962-9209301MCA	B	
LMC662AMJ/883	5962-9209401MPA	B	
LMC662AMJ/883	5962-9232501MXA	A	
LMF100AE/883	5962-9153301M2A	A	LIFETIME BUY TILL 9-9-98
LMF100AJ/883	5962-9153301MRA	A	LIFETIME BUY TILL 9-9-98
LMF60CMJ100/883	5962-9096701MCA	-	OBSOLETE
LMF60CMJ50/883	5962-9096702MCA	-	OBSOLETE
LMF90CMJ/883	5962-9096801MCA	-	LIFETIME BUY TILL 9-9-98
LP2951E/883	5962-3870501M2A	C	
LP2951H/883	5962-3870501MGA	C	
LP2951J/883	5962-3870501MPA	C	
LP2953AMJ/883	5962-9233601MEA	C +	
LP2953AMJ-QMLV	5962-9233601VEA	C +	PENDING

NATIONAL SEMICONDUCTOR STANDARD MICROCIRCUIT DRAWING CROSS REFERENCE

LP2953AMWG/883	5962-9233601QXA	C +	PENDING
LP2953AMWG-QMLV	5962-9233601VXA	C +	PENDING
LP2956AMJ-QML	5962-9554701QEA	-	
LPC660AMJ/883	5962-9209302MCA	B	
LPC662AMJ/883	5962-9209402MPA	B	
MM54C08J/883	7703601CA	B	
MM54C08W/883	7703601DA	B	
MM54C85J/883	7703701EA	E	
MM54C85W/883	7703701FA	E	
MM54C922J/883	5962-8752101VA	A	
MM54HC123AE/883	5962-86847022A	B	
MM54HC123AJ/883	5962-8684702EA	B	
MM78C29J/883	5962-9321001MCA	-	
MM78C30J/883	5962-8988201CA	-	
NS41024L20D-SMD	5962-8959821MZA	H E	Z=32 LEAD 400 MIL DIP
NS41024L20E-SMD	5962-8959821MMA	H E	M=32 LEADLESS LCC
NS41024L20F-SMD	5962-8959821MTA	H E	T=32 LEAD FLAT PACK
NS41024L20S-SMD	5962-8959821MYA	H E	Y=32 LEAD SOJ
NS41024L20Y-SMD	5962-8959821MUA	H E	U=32 RECTANGULAR LCC
NS41024L25D-SMD	5962-8959820MZA	H E	Z=32 LEAD 400 MIL DIP
NS41024L25E-SMD	5962-8959820MMA	H E	M=32 LEADLESS LCC
NS41024L25F-SMD	5962-8959820MTA	H E	T=32 LEAD FLAT PACK
NS41024L25S-SMD	5962-8959820MYA	H E	Y=32 LEAD SOJ
NS41024L25Y-SMD	5962-8959820MUA	H E	U=32 RECTANGULAR LCC
NS41024L35D-SMD	5962-8959819MZA	H E	Z=32 LEAD 400 MIL DIP
NS41024L35E-SMD	5962-8959819MMA	H E	M=32 LEADLESS LCC
NS41024L35F-SMD	5962-8959819MTA	H E	T=32 LEAD FLAT PACK
NS41024L35S-SMD	5962-8959819MYA	H E	Y=32 LEAD SOJ
NS41024L35Y-SMD	5962-8959819MUA	H E	U=32 RECTANGULAR LCC
NS41024L45D-SMD	5962-8959818MZA	H E	Z=32 LEAD 400 MIL DIP
NS41024L45E-SMD	5962-8959818MMA	H E	M=32 LEADLESS LCC
NS41024L45F-SMD	5962-8959818MTA	H E	T=32 LEAD FLAT PACK
NS41024L45S-SMD	5962-8959818MYA	H E	Y=32 LEAD SOJ
NS41024L45Y-SMD	5962-8959818MUA	H E	U=32 RECTANGULAR LCC
NS41024L55D-SMD	5962-8959817MZA	H E	Z=32 LEAD 400 MIL DIP
NS41024L55E-SMD	5962-8959817MMA	H E	M=32 LEADLESS LCC
NS41024L55F-SMD	5962-8959817MTA	H E	T=32 LEAD FLAT PACK
NS41024L55S-SMD	5962-8959817MYA	H E	Y=32 LEAD SOJ
NS41024L55Y-SMD	5962-8959817MUA	H E	U=32 RECTANGULAR LCC
NS41024S20D-SMD	5962-8959838MZA	H E	Z=32 LEAD 400 MIL DIP
NS41024S20E-SMD	5962-8959838MMA	H E	M=32 LEADLESS LCC
NS41024S20F-SMD	5962-8959838MTA	H E	T=32 LEAD FLAT PACK
NS41024S20S-SMD	5962-8959838MYA	H E	Y=32 LEAD SOJ
NS41024S20Y-SMD	5962-8959838MUA	H E	U=32 RECTANGULAR LCC
NS41024S25D-SMD	5962-8959837MZA	H E	Z=32 LEAD 400 MIL DIP
NS41024S25E-SMD	5962-8959837MMA	H E	M=32 LEADLESS LCC
NS41024S25F-SMD	5962-8959837MTA	H E	T=32 LEAD FLAT PACK
NS41024S25S-SMD	5962-8959837MYA	H E	Y=32 LEAD SOJ
NS41024S25Y-SMD	5962-8959837MUA	H E	U=32 RECTANGULAR LCC
NS41024S35D-SMD	5962-8959836MZA	H E	Z=32 LEAD 400 MIL DIP
NS41024S35E-SMD	5962-8959836MMA	H E	M=32 LEADLESS LCC
NS41024S35F-SMD	5962-8959836MTA	H E	T=32 LEAD FLAT PACK
NS41024S35S-SMD	5962-8959836MYA	H E	Y=32 LEAD SOJ
NS41024S35Y-SMD	5962-8959836MUA	H E	U=32 RECTANGULAR LCC
NS41024S45D-SMD	5962-8959835MZA	H E	Z=32 LEAD 400 MIL DIP
NS41024S45E-SMD	5962-8959835MMA	H E	M=32 LEADLESS LCC
NS41024S45F-SMD	5962-8959835MTA	H E	T=32 LEAD FLAT PACK
NS41024S45S-SMD	5962-8959835MYA	H E	Y=32 LEAD SOJ
NS41024S45Y-SMD	5962-8959835MUA	H E	U=32 RECTANGULAR LCC
NS41024S55D-SMD	5962-8959834MZA	H E	Z=32 LEAD 400 MIL DIP
NS41024S55E-SMD	5962-8959834MMA	H E	M=32 LEADLESS LCC
NS41024S55F-SMD	5962-8959834MTA	H E	T=32 LEAD FLAT PACK
NS41024S55S-SMD	5962-8959834MYA	H E	Y=32 LEAD SOJ
NS41024S55Y-SMD	5962-8959834MUA	H E	U=32 RECTANGULAR LCC
NSC800D/883	8301301QA	D	OBSOLETE
NSC800D-35/883	8301302QA	D	OBSOLETE
NSC800E/883	8301301ZA	D	OBSOLETE
NSC800E-35/883	8301302ZA	D	OBSOLETE
OP07H/883	8203602GA	D	
SCAN18245TFMQB	5962-9311501MXA	A	X=56 LEAD FLAT
SCAN18373TFMQB	5962-9311801MXA	B	X=56 LEAD FLAT

NATIONAL SEMICONDUCTOR STANDARD MICROCIRCUIT DRAWING CROSS REFERENCE

SCAN18374TFMQB	5962-9320701MXA	B	X=56 LEAD FLAT
SCAN18540TFMQB	5962-9312701MXA	A	X=56 LEAD FLAT
SCAN18541TFMQB	5962-9311601MXA	A	X=56 LEAD FLAT
SCANPSC100FDMQB	5962-9475001QXA	-	X=28 LEAD DIP
SCANPSC100FFMQB	5962-9475001QYA	-	Y=28 LEAD FLAT
SCANPSC100FLMQB	5962-9475001Q3A	-	