



September 2014



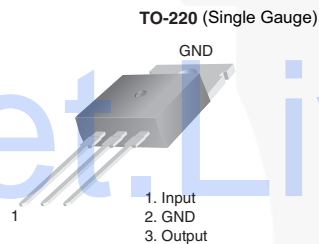
LM78XX / LM78XXA 3-Terminal 1 A Positive Voltage Regulator

Features

- Output Current up to 1 A
- Output Voltages: 5, 6, 8, 9, 10, 12, 15, 18, 24 V
- Thermal Overload Protection
- Short-Circuit Protection
- Output Transistor Safe Operating Area Protection

Description

The LM78XX series of three-terminal positive regulators is available in the TO-220 package and with several fixed output voltages, making them useful in a wide range of applications. Each type employs internal current limiting, thermal shut-down, and safe operating area protection. If adequate heat sinking is provided, they can deliver over 1 A output current. Although designed primarily as fixed-voltage regulators, these devices can be used with external components for adjustable voltages and currents.



Datasheet.Live

LM78XX / LM78XXA — 3-Terminal 1 A Positive Voltage Regulator

Ordering Information⁽¹⁾

| Product Number | Output Voltage Tolerance | Package | Operating Temperature | Packing Method |
|----------------|--------------------------|--------------------------|-----------------------|----------------|
| LM7805CT | ±4% | TO-220 (Single Gauge) | -40°C to +125°C | Rail |
| LM7806CT | | | | |
| LM7808CT | | | | |
| LM7809CT | | | | |
| LM7810CT | | | | |
| LM7812CT | | | | |
| LM7815CT | | | | |
| LM7818CT | | | | |
| LM7824CT | ±2% | TO-220 (Single Gauge) | 0°C to +125°C | Rail |
| LM7805ACT | | | | |
| LM7809ACT | | | | |
| LM7810ACT | | | | |
| LM7812ACT | | | | |
| LM7815ACT | | | | |

Note:

1. Above output voltage tolerance is available at 25°C.

Block Diagram

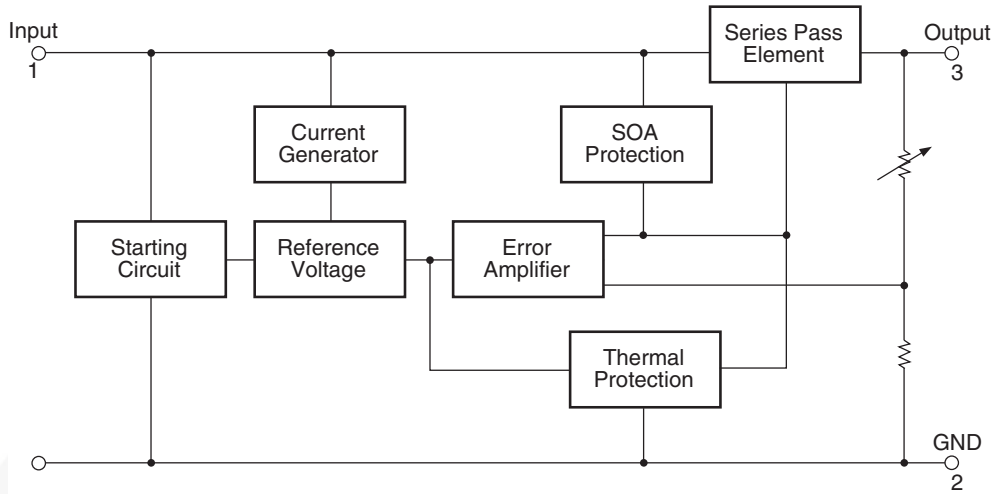


Figure 1. Block Diagram

Absolute Maximum Ratings

Stresses exceeding the absolute maximum ratings may damage the device. The device may not function or be operable above the recommended operating conditions and stressing the parts to these levels is not recommended. In addition, extended exposure to stresses above the recommended operating conditions may affect device reliability. The absolute maximum ratings are stress ratings only. Values are at $T_A = 25^\circ\text{C}$ unless otherwise noted.

| Symbol | Parameter | | Value | Unit |
|-----------------|--|-----------------------------------|--------------|--------------------|
| V_I | Input Voltage | $V_O = 5\text{ V to }18\text{ V}$ | 35 | V |
| | | $V_O = 24\text{ V}$ | 40 | |
| $R_{\theta JC}$ | Thermal Resistance, Junction-Case (TO-220) | | 5 | $^\circ\text{C/W}$ |
| $R_{\theta JA}$ | Thermal Resistance, Junction-Air (TO-220) | | 65 | $^\circ\text{C/W}$ |
| T_{OPR} | Operating Temperature Range | LM78xx | -40 to +125 | $^\circ\text{C}$ |
| | | LM78xxA | 0 to +125 | |
| T_{STG} | Storage Temperature Range | | - 65 to +150 | $^\circ\text{C}$ |

Electrical Characteristics (LM7805)

Refer to the test circuit, $-40^{\circ}\text{C} < T_J < 125^{\circ}\text{C}$, $I_O = 500\text{ mA}$, $V_I = 10\text{ V}$, $C_I = 0.1\text{ }\mu\text{F}$, unless otherwise specified.

| Symbol | Parameter | Conditions | Min. | Typ. | Max. | Unit | |
|-----------------------|-------------------------------------|---|--|------|------|------------------------|----|
| V_O | Output Voltage | $T_J = +25^{\circ}\text{C}$ | 4.80 | 5.00 | 5.20 | V | |
| | | $I_O = 5\text{ mA to }1\text{ A}$, $P_O \leq 15\text{ W}$, $V_I = 7\text{ V to }20\text{ V}$ | 4.75 | 5.00 | 5.25 | | |
| Regline | Line Regulation ⁽²⁾ | $T_J = +25^{\circ}\text{C}$ | $V_I = 7\text{ V to }25\text{ V}$ | | 4.0 | 100.0 | mV |
| | | | $V_I = 8\text{ V to }12\text{ V}$ | | 1.6 | 50.0 | |
| Regload | Load Regulation ⁽²⁾ | $T_J = +25^{\circ}\text{C}$ | $I_O = 5\text{ mA to }1.5\text{ A}$ | | 9.0 | 100.0 | mV |
| | | | $I_O = 250\text{ mA to }750\text{ mA}$ | | 4.0 | 50.0 | |
| I_Q | Quiescent Current | $T_J = +25^{\circ}\text{C}$ | | 5 | 8 | mA | |
| ΔI_Q | Quiescent Current Change | $I_O = 5\text{ mA to }1\text{ A}$ | | 0.03 | 0.50 | mA | |
| | | $V_I = 7\text{ V to }25\text{ V}$ | | 0.30 | 1.30 | | |
| $\Delta V_O/\Delta T$ | Output Voltage Drift ⁽³⁾ | $I_O = 5\text{ mA}$ | | -0.8 | | mV/ $^{\circ}\text{C}$ | |
| V_N | Output Noise Voltage | $f = 10\text{ Hz to }100\text{ kHz}$, $T_A = +25^{\circ}\text{C}$ | | 42 | | μV | |
| RR | Ripple Rejection ⁽³⁾ | $f = 120\text{ Hz}$, $V_I = 8\text{ V to }18\text{ V}$ | 62 | 73 | | dB | |
| V_{DROP} | Dropout Voltage | $T_J = +25^{\circ}\text{C}$, $I_O = 1\text{ A}$ | | 2 | | V | |
| R_O | Output Resistance ⁽³⁾ | $f = 1\text{ kHz}$ | | 15 | | m Ω | |
| I_{SC} | Short-Circuit Current | $T_J = +25^{\circ}\text{C}$, $V_I = 35\text{ V}$ | | 230 | | mA | |
| I_{PK} | Peak Current ⁽³⁾ | $T_J = +25^{\circ}\text{C}$ | | 2.2 | | A | |

Notes:

- Load and line regulation are specified at constant junction temperature. Changes in V_O due to heating effects must be taken into account separately. Pulse testing with low duty is used.
- These parameters, although guaranteed, are not 100% tested in production.

Electrical Characteristics (LM7806)

Refer to the test circuit, $-40^{\circ}\text{C} < T_J < 125^{\circ}\text{C}$, $I_O = 500\text{ mA}$, $V_I = 11\text{ V}$, $C_I = 0.33\text{ }\mu\text{F}$, $C_O = 0.1\text{ }\mu\text{F}$, unless otherwise specified.

| Symbol | Parameter | Conditions | Min. | Typ. | Max. | Unit | |
|-----------------------|-------------------------------------|---|--|------|------|------------------------|----|
| V_O | Output Voltage | $T_J = +25^{\circ}\text{C}$ | 5.75 | 6.00 | 6.25 | V | |
| | | $I_O = 5\text{ mA to }1\text{ A}$, $P_O \leq 15\text{ W}$, $V_I = 8.0\text{ V to }21\text{ V}$ | 5.70 | 6.00 | 6.30 | | |
| Regline | Line Regulation ⁽⁴⁾ | $T_J = +25^{\circ}\text{C}$ | $V_I = 8\text{ V to }25\text{ V}$ | | 5.0 | 120.0 | mV |
| | | | $V_I = 9\text{ V to }13\text{ V}$ | | 1.5 | 60.0 | |
| Regload | Load Regulation ⁽⁴⁾ | $T_J = +25^{\circ}\text{C}$ | $I_O = 5\text{ mA to }1.5\text{ A}$ | | 9.0 | 120.0 | mV |
| | | | $I_O = 250\text{ mA to }750\text{ mA}$ | | 3.0 | 60.0 | |
| I_Q | Quiescent Current | $T_J = +25^{\circ}\text{C}$ | | 5 | 8 | mA | |
| ΔI_Q | Quiescent Current Change | $I_O = 5\text{ mA to }1\text{ A}$ | | | 0.5 | mA | |
| | | $V_I = 8\text{ V to }25\text{ V}$ | | | 1.3 | | |
| $\Delta V_O/\Delta T$ | Output Voltage Drift ⁽⁵⁾ | $I_O = 5\text{ mA}$ | | -0.8 | | mV/ $^{\circ}\text{C}$ | |
| V_N | Output Noise Voltage | $f = 10\text{ Hz to }100\text{ kHz}$, $T_A = +25^{\circ}\text{C}$ | | 45 | | μV | |
| RR | Ripple Rejection ⁽⁵⁾ | $f = 120\text{ Hz}$, $V_I = 8\text{ V to }18\text{ V}$ | 62 | 73 | | dB | |
| V_{DROP} | Dropout Voltage | $T_J = +25^{\circ}\text{C}$, $I_O = 1\text{ A}$ | | 2 | | V | |
| R_O | Output Resistance ⁽⁵⁾ | $f = 1\text{ kHz}$ | | 19 | | m Ω | |
| I_{SC} | Short-Circuit Current | $T_J = +25^{\circ}\text{C}$, $V_I = 35\text{ V}$ | | 250 | | mA | |
| I_{PK} | Peak Current ⁽⁵⁾ | $T_J = +25^{\circ}\text{C}$ | | 2.2 | | A | |

Notes:

- Load and line regulation are specified at constant junction temperature. Changes in V_O due to heating effects must be taken into account separately. Pulse testing with low duty is used.
- These parameters, although guaranteed, are not 100% tested in production.

Electrical Characteristics (LM7808)

Refer to the test circuit, $-40^{\circ}\text{C} < T_J < 125^{\circ}\text{C}$, $I_O = 500\text{ mA}$, $V_I = 14\text{ V}$, $C_I = 0.33\text{ }\mu\text{F}$, $C_O = 0.1\text{ }\mu\text{F}$, unless otherwise specified.

| Symbol | Parameter | Conditions | Min. | Typ. | Max. | Unit | |
|-----------------------|-------------------------------------|--|--|------|------|------------------------|-----|
| V_O | Output Voltage | $T_J = +25^{\circ}\text{C}$ | 7.7 | 8.0 | 8.3 | V | |
| | | $I_O = 5\text{ mA to }1\text{ A}$, $P_O \leq 15\text{ W}$, $V_I = 10.5\text{ V to }23\text{ V}$ | 7.6 | 8.0 | 8.4 | | |
| Regline | Line Regulation ⁽⁶⁾ | $T_J = +25^{\circ}\text{C}$ | $V_I = 10.5\text{ V to }25\text{ V}$ | | 5 | 160 | mV |
| | | | $V_I = 11.5\text{ V to }17\text{ V}$ | | 2 | 80 | |
| Regload | Load Regulation ⁽⁶⁾ | $T_J = +25^{\circ}\text{C}$ | $I_O = 5\text{ mA to }1.5\text{ A}$ | | 10 | 160 | mV |
| | | | $I_O = 250\text{ mA to }750\text{ mA}$ | | 5 | 80 | |
| I_Q | Quiescent Current | $T_J = +25^{\circ}\text{C}$ | | 5 | 8 | mA | |
| ΔI_Q | Quiescent Current Change | $I_O = 5\text{ mA to }1\text{ A}$ $V_I = 10.5\text{ V to }25\text{ V}$ | | 0.05 | 0.50 | mA | |
| | | | | | 0.5 | | 1.0 |
| $\Delta V_O/\Delta T$ | Output Voltage Drift ⁽⁷⁾ | $I_O = 5\text{ mA}$ | | -0.8 | | mV/ $^{\circ}\text{C}$ | |
| V_N | Output Noise Voltage | $f = 10\text{ Hz to }100\text{ kHz}$, $T_A = +25^{\circ}\text{C}$ | | 52 | | μV | |
| RR | Ripple Rejection ⁽⁷⁾ | $f = 120\text{ Hz}$, $V_I = 11.5\text{ V to }21.5\text{ V}$ | 56 | 73 | | dB | |
| V_{DROP} | Dropout Voltage | $I_O = 1\text{ A}$, $T_J = +25^{\circ}\text{C}$ | | 2 | | V | |
| R_O | Output Resistance ⁽⁷⁾ | $f = 1\text{ kHz}$ | | 17 | | m Ω | |
| I_{SC} | Short-Circuit Current | $V_I = 35\text{ V}$, $T_J = +25^{\circ}\text{C}$ | | 230 | | mA | |
| I_{PK} | Peak Current ⁽⁷⁾ | $T_J = +25^{\circ}\text{C}$ | | 2.2 | | A | |

Notes:

- Load and line regulation are specified at constant junction temperature. Changes in V_O due to heating effects must be taken into account separately. Pulse testing with low duty is used.
- These parameters, although guaranteed, are not 100% tested in production.

Electrical Characteristics (LM7809)

Refer to the test circuit, $-40^{\circ}\text{C} < T_J < 125^{\circ}\text{C}$, $I_O = 500\text{ mA}$, $V_I = 15\text{ V}$, $C_I = 0.33\text{ }\mu\text{F}$, $C_O = 0.1\text{ }\mu\text{F}$, unless otherwise specified.

| Symbol | Parameter | Conditions | Min. | Typ. | Max. | Unit |
|-----------------------|-------------------------------------|--|--|------|------|------------------------|
| V_O | Output Voltage | $T_J = +25^{\circ}\text{C}$ | 8.65 | 9.00 | 9.35 | V |
| | | $I_O = 5\text{ mA to }1\text{ A}$, $P_O \leq 15\text{ W}$, $V_I = 11.5\text{ V to }24\text{ V}$ | 8.60 | 9.00 | 9.40 | |
| Regline | Line Regulation ⁽⁸⁾ | $T_J = +25^{\circ}\text{C}$ | $V_I = 11.5\text{ V to }25\text{ V}$ | 6 | 180 | mV |
| | | | $V_I = 12\text{ V to }17\text{ V}$ | 2 | 90 | |
| Regload | Load Regulation ⁽⁸⁾ | $T_J = +25^{\circ}\text{C}$ | $I_O = 5\text{ mA to }1.5\text{ A}$ | 12 | 180 | mV |
| | | | $I_O = 250\text{ mA to }750\text{ mA}$ | 4 | 90 | |
| I_Q | Quiescent Current | $T_J = +25^{\circ}\text{C}$ | | 5 | 8 | mA |
| ΔI_Q | Quiescent Current Change | $I_O = 5\text{ mA to }1\text{ A}$ $V_I = 11.5\text{ V to }26\text{ V}$ | | | 0.5 | mA |
| | | | | | 1.3 | |
| $\Delta V_O/\Delta T$ | Output Voltage Drift ⁽⁹⁾ | $I_O = 5\text{ mA}$ | | -1 | | mV/ $^{\circ}\text{C}$ |
| V_N | Output Noise Voltage | $f = 10\text{ Hz to }100\text{ kHz}$, $T_A = +25^{\circ}\text{C}$ | | 58 | | μV |
| RR | Ripple Rejection ⁽⁹⁾ | $f = 120\text{ Hz}$, $V_I = 13\text{ V to }23\text{ V}$ | 56 | 71 | | dB |
| V_{DROP} | Dropout Voltage | $I_O = 1\text{ A}$, $T_J = +25^{\circ}\text{C}$ | | 2 | | V |
| R_O | Output Resistance ⁽⁹⁾ | $f = 1\text{ kHz}$ | | 17 | | m Ω |
| I_{SC} | Short-Circuit Current | $V_I = 35\text{ V}$, $T_J = +25^{\circ}\text{C}$ | | 250 | | mA |
| I_{PK} | Peak Current ⁽⁹⁾ | $T_J = +25^{\circ}\text{C}$ | | 2.2 | | A |

Notes:

8. Load and line regulation are specified at constant junction temperature. Changes in V_O due to heating effects must be taken into account separately. Pulse testing with low duty is used.
9. These parameters, although guaranteed, are not 100% tested in production.

Electrical Characteristics (LM7810)

Refer to the test circuit, $-40^{\circ}\text{C} < T_J < 125^{\circ}\text{C}$, $I_O = 500\text{ mA}$, $V_I = 16\text{ V}$, $C_I = 0.33\text{ }\mu\text{F}$, $C_O = 0.1\text{ }\mu\text{F}$, unless otherwise specified.

| Symbol | Parameter | Conditions | Min. | Typ. | Max. | Unit | |
|-----------------------|--------------------------------------|--|--|------|------|------------------------|----|
| V_O | Output Voltage | $T_J = +25^{\circ}\text{C}$ | 9.6 | 10.0 | 10.4 | V | |
| | | $I_O = 5\text{ mA to }1\text{ A}$, $P_O \leq 15\text{ W}$, $V_I = 12.5\text{ V to }25\text{ V}$ | 9.5 | 10.0 | 10.5 | | |
| Regline | Line Regulation ⁽¹⁰⁾ | $T_J = +25^{\circ}\text{C}$ | $V_I = 12.5\text{ V to }25\text{ V}$ | | 10 | 200 | mV |
| | | | $V_I = 13\text{ V to }25\text{ V}$ | | 3 | 100 | |
| Regload | Load Regulation ⁽¹⁰⁾ | $T_J = +25^{\circ}\text{C}$ | $I_O = 5\text{ mA to }1.5\text{ A}$ | | 12 | 200 | mV |
| | | | $I_O = 250\text{ mA to }750\text{ mA}$ | | 4 | 400 | |
| I_Q | Quiescent Current | $T_J = +25^{\circ}\text{C}$ | | 5.1 | 8.0 | mA | |
| ΔI_Q | Quiescent Current Change | $I_O = 5\text{ mA to }1\text{ A}$ | | | 0.5 | mA | |
| | | $V_I = 12.5\text{ V to }29\text{ V}$ | | | 1.0 | | |
| $\Delta V_O/\Delta T$ | Output Voltage Drift ⁽¹¹⁾ | $I_O = 5\text{ mA}$ | | -1 | | mV/ $^{\circ}\text{C}$ | |
| V_N | Output Noise Voltage | $f = 10\text{ Hz to }100\text{ kHz}$, $T_A = +25^{\circ}\text{C}$ | | 58 | | μV | |
| RR | Ripple Rejection ⁽¹¹⁾ | $f = 120\text{ Hz}$, $V_I = 13\text{ V to }23\text{ V}$ | 56 | 71 | | dB | |
| V_{DROPP} | Dropout Voltage | $I_O = 1\text{ A}$, $T_J = +25^{\circ}\text{C}$ | | 2 | | V | |
| R_O | Output Resistance ⁽¹¹⁾ | $f = 1\text{ kHz}$ | | 17 | | m Ω | |
| I_{SC} | Short-Circuit Current | $V_I = 35\text{ V}$, $T_J = +25^{\circ}\text{C}$ | | 250 | | mA | |
| I_{PK} | Peak Current ⁽¹¹⁾ | $T_J = +25^{\circ}\text{C}$ | | 2.2 | | A | |

Notes:

10. Load and line regulation are specified at constant junction temperature. Changes in V_O due to heating effects must be taken into account separately. Pulse testing with low duty is used.
11. These parameters, although guaranteed, are not 100% tested in production.

Electrical Characteristics (LM7812)

Refer to the test circuit, $-40^{\circ}\text{C} < T_J < 125^{\circ}\text{C}$, $I_O = 500\text{ mA}$, $V_I = 19\text{ V}$, $C_I = 0.33\text{ }\mu\text{F}$, $C_O = 0.1\text{ }\mu\text{F}$, unless otherwise specified.

| Symbol | Parameter | Conditions | Min. | Typ. | Max. | Unit | |
|-----------------------|--------------------------------------|--|--|------|------|------------------------|----|
| V_O | Output Voltage | $T_J = +25^{\circ}\text{C}$ | 11.5 | 12.0 | 12.5 | V | |
| | | $I_O = 5\text{ mA to }1\text{ A}$, $P_O \leq 15\text{ W}$, $V_I = 14.5\text{ V to }27\text{ V}$ | 11.4 | 12.0 | 12.6 | | |
| Regline | Line Regulation ⁽¹²⁾ | $T_J = +25^{\circ}\text{C}$ | $V_I = 14.5\text{ V to }30\text{ V}$ | | 10 | 240 | mV |
| | | | $V_I = 16\text{ V to }22\text{ V}$ | | 3 | 120 | |
| Regload | Load Regulation ⁽¹²⁾ | $T_J = +25^{\circ}\text{C}$ | $I_O = 5\text{ mA to }1.5\text{ A}$ | | 11 | 240 | mV |
| | | | $I_O = 250\text{ mA to }750\text{ mA}$ | | 5 | 120 | |
| I_Q | Quiescent Current | $T_J = +25^{\circ}\text{C}$ | | 5.1 | 8.0 | mA | |
| ΔI_Q | Quiescent Current Change | $I_O = 5\text{ mA to }1\text{ A}$ $V_I = 14.5\text{ V to }30\text{ V}$ | | 0.1 | 0.5 | mA | |
| | | | | 0.5 | 1.0 | | |
| $\Delta V_O/\Delta T$ | Output Voltage Drift ⁽¹³⁾ | $I_O = 5\text{ mA}$ | | -1 | | mV/ $^{\circ}\text{C}$ | |
| V_N | Output Noise Voltage | $f = 10\text{ Hz to }100\text{ kHz}$, $T_A = +25^{\circ}\text{C}$ | | 76 | | μV | |
| RR | Ripple Rejection ⁽¹³⁾ | $f = 120\text{ Hz}$, $V_I = 15\text{ V to }25\text{ V}$ | 55 | 71 | | dB | |
| V_{DROP} | Dropout Voltage | $I_O = 1\text{ A}$, $T_J = +25^{\circ}\text{C}$ | | 2 | | V | |
| R_O | Output Resistance ⁽¹³⁾ | $f = 1\text{ kHz}$ | | 18 | | m Ω | |
| I_{SC} | Short-Circuit Current | $V_I = 35\text{ V}$, $T_J = +25^{\circ}\text{C}$ | | 230 | | mA | |
| I_{PK} | Peak Current ⁽¹³⁾ | $T_J = +25^{\circ}\text{C}$ | | 2.2 | | A | |

Notes:

12. Load and line regulation are specified at constant junction temperature. Changes in V_O due to heating effects must be taken into account separately. Pulse testing with low duty is used.
13. These parameters, although guaranteed, are not 100% tested in production.

Electrical Characteristics (LM7815)

Refer to the test circuit, $-40^{\circ}\text{C} < T_J < 125^{\circ}\text{C}$, $I_O = 500\text{ mA}$, $V_I = 23\text{ V}$, $C_I = 0.33\text{ }\mu\text{F}$, $C_O = 0.1\text{ }\mu\text{F}$, unless otherwise specified.

| Symbol | Parameter | Conditions | Min. | Typ. | Max. | Unit | |
|-----------------------|--------------------------------------|--|--|-------|-------|------------------------|----|
| V_O | Output Voltage | $T_J = +25^{\circ}\text{C}$ | 14.40 | 15.00 | 15.60 | V | |
| | | $I_O = 5\text{ mA to }1\text{ A}$, $P_O \leq 15\text{ W}$, $V_I = 17.5\text{ V to }30\text{ V}$ | 14.25 | 15.00 | 15.75 | | |
| Regline | Line Regulation ⁽¹⁴⁾ | $T_J = +25^{\circ}\text{C}$ | $V_I = 17.5\text{ V to }30\text{ V}$ | | 11 | 300 | mV |
| | | | $V_I = 20\text{ V to }26\text{ V}$ | | 3 | 150 | |
| Regload | Load Regulation ⁽¹⁴⁾ | $T_J = +25^{\circ}\text{C}$ | $I_O = 5\text{ mA to }1.5\text{ A}$ | | 12 | 300 | mV |
| | | | $I_O = 250\text{ mA to }750\text{ mA}$ | | 4 | 150 | |
| I_Q | Quiescent Current | $T_J = +25^{\circ}\text{C}$ | | 5.2 | 8.0 | mA | |
| ΔI_Q | Quiescent Current Change | $I_O = 5\text{ mA to }1\text{ A}$ | | | 0.5 | mA | |
| | | $V_I = 17.5\text{ V to }30\text{ V}$ | | | 1.0 | | |
| $\Delta V_O/\Delta T$ | Output Voltage Drift ⁽¹⁵⁾ | $I_O = 5\text{ mA}$ | | -1 | | mV/ $^{\circ}\text{C}$ | |
| V_N | Output Noise Voltage | $f = 10\text{ Hz to }100\text{ kHz}$, $T_A = +25^{\circ}\text{C}$ | | 90 | | μV | |
| RR | Ripple Rejection ⁽¹⁵⁾ | $f = 120\text{ Hz}$, $V_I = 18.5\text{ V to }28.5\text{ V}$ | 54 | 70 | | dB | |
| V_{DROP} | Dropout Voltage | $I_O = 1\text{ A}$, $T_J = +25^{\circ}\text{C}$ | | 2 | | V | |
| R_O | Output Resistance ⁽¹⁵⁾ | $f = 1\text{ kHz}$ | | 19 | | m Ω | |
| I_{SC} | Short-Circuit Current | $V_I = 35\text{ V}$, $T_J = +25^{\circ}\text{C}$ | | 250 | | mA | |
| I_{PK} | Peak Current ⁽¹⁵⁾ | $T_J = +25^{\circ}\text{C}$ | | 2.2 | | A | |

Notes:

14. Load and line regulation are specified at constant junction temperature. Changes in V_O due to heating effects must be taken into account separately. Pulse testing with low duty is used.
15. These parameters, although guaranteed, are not 100% tested in production.

Electrical Characteristics (LM7818)

Refer to the test circuit, $-40^{\circ}\text{C} < T_J < 125^{\circ}\text{C}$, $I_O = 500\text{ mA}$, $V_I = 27\text{ V}$, $C_I = 0.33\text{ }\mu\text{F}$, $C_O = 0.1\text{ }\mu\text{F}$, unless otherwise specified.

| Symbol | Parameter | Conditions | Min. | Typ. | Max. | Unit | |
|-----------------------|--------------------------------------|--|--|------|------|------------------------|----|
| V_O | Output Voltage | $T_J = +25^{\circ}\text{C}$ | 17.3 | 18.0 | 18.7 | V | |
| | | $I_O = 5\text{ mA to }1\text{ A}$, $P_O \leq 15\text{ W}$, $V_I = 21\text{ V to }33\text{ V}$ | 17.1 | 18.0 | 18.9 | | |
| Regline | Line Regulation ⁽¹⁶⁾ | $T_J = +25^{\circ}\text{C}$ | $V_I = 21\text{ V to }33\text{ V}$ | | 15 | 360 | mV |
| | | | $V_I = 24\text{ V to }30\text{ V}$ | | 5 | 180 | |
| Regload | Load Regulation ⁽¹⁶⁾ | $T_J = +25^{\circ}\text{C}$ | $I_O = 5\text{ mA to }1.5\text{ A}$ | | 15 | 360 | mV |
| | | | $I_O = 250\text{ mA to }750\text{ mA}$ | | 5 | 180 | |
| I_Q | Quiescent Current | $T_J = +25^{\circ}\text{C}$ | | 5.2 | 8.0 | mA | |
| ΔI_Q | Quiescent Current Change | $I_O = 5\text{ mA to }1\text{ A}$ | | | 0.5 | mA | |
| | | $V_I = 21\text{ V to }33\text{ V}$ | | | 1.0 | | |
| $\Delta V_O/\Delta T$ | Output Voltage Drift ⁽¹⁷⁾ | $I_O = 5\text{ mA}$ | | -1 | | mV/ $^{\circ}\text{C}$ | |
| V_N | Output Noise Voltage | $f = 10\text{ Hz to }100\text{ kHz}$, $T_A = +25^{\circ}\text{C}$ | | 110 | | μV | |
| RR | Ripple Rejection ⁽¹⁷⁾ | $f = 120\text{ Hz}$, $V_I = 22\text{ V to }32\text{ V}$ | 53 | 69 | | dB | |
| V_{DROP} | Dropout Voltage | $I_O = 1\text{ A}$, $T_J = +25^{\circ}\text{C}$ | | 2 | | V | |
| R_O | Output Resistance ⁽¹⁷⁾ | $f = 1\text{ kHz}$ | | 22 | | m Ω | |
| I_{SC} | Short-Circuit Current | $V_I = 35\text{ V}$, $T_J = +25^{\circ}\text{C}$ | | 250 | | mA | |
| I_{PK} | Peak Current ⁽¹⁷⁾ | $T_J = +25^{\circ}\text{C}$ | | 2.2 | | A | |

Notes:

16. Load and line regulation are specified at constant junction temperature. Changes in V_O due to heating effects must be taken into account separately. Pulse testing with low duty is used.
17. These parameters, although guaranteed, are not 100% tested in production.

Electrical Characteristics (LM7824)

Refer to the test circuit, $-40^{\circ}\text{C} < T_J < 125^{\circ}\text{C}$, $I_O = 500\text{ mA}$, $V_I = 33\text{ V}$, $C_I = 0.33\text{ }\mu\text{F}$, $C_O = 0.1\text{ }\mu\text{F}$, unless otherwise specified.

| Symbol | Parameter | Conditions | Min. | Typ. | Max. | Unit | |
|-----------------------|--------------------------------------|--|--|-------|-------|------------------------|----|
| V_O | Output Voltage | $T_J = +25^{\circ}\text{C}$ | 23.00 | 24.00 | 25.00 | V | |
| | | $I_O = 5\text{ mA to }1\text{ A}$, $P_O \leq 15\text{ W}$, $V_I = 27\text{ V to }38\text{ V}$ | 22.80 | 24.00 | 25.25 | | |
| Regline | Line Regulation ⁽¹⁸⁾ | $T_J = +25^{\circ}\text{C}$ | $V_I = 27\text{ V to }38\text{ V}$ | | 17 | 480 | mV |
| | | | $V_I = 30\text{ V to }36\text{ V}$ | | 6 | 240 | |
| Regload | Load Regulation ⁽¹⁸⁾ | $T_J = +25^{\circ}\text{C}$ | $I_O = 5\text{ mA to }1.5\text{ A}$ | | 15 | 480 | mV |
| | | | $I_O = 250\text{ mA to }750\text{ mA}$ | | 5 | 240 | |
| I_Q | Quiescent Current | $T_J = +25^{\circ}\text{C}$ | | 5.2 | 8.0 | mA | |
| ΔI_Q | Quiescent Current Change | $I_O = 5\text{ mA to }1\text{ A}$ $V_I = 27\text{ V to }38\text{ V}$ | | 0.1 | 0.5 | mA | |
| | | | | 0.5 | 1.0 | | |
| $\Delta V_O/\Delta T$ | Output Voltage Drift ⁽¹⁹⁾ | $I_O = 5\text{ mA}$ | | -1.5 | | mV/ $^{\circ}\text{C}$ | |
| V_N | Output Noise Voltage | $f = 10\text{ Hz to }100\text{ kHz}$, $T_A = +25^{\circ}\text{C}$ | | 120 | | μV | |
| RR | Ripple Rejection ⁽¹⁹⁾ | $f = 120\text{ Hz}$, $V_I = 28\text{ V to }38\text{ V}$ | 50 | 67 | | dB | |
| V_{DROP} | Dropout Voltage | $I_O = 1\text{ A}$, $T_J = +25^{\circ}\text{C}$ | | 2 | | V | |
| R_O | Output Resistance ⁽¹⁹⁾ | $f = 1\text{ kHz}$ | | 28 | | m Ω | |
| I_{SC} | Short-Circuit Current | $V_I = 35\text{ V}$, $T_J = +25^{\circ}\text{C}$ | | 230 | | mA | |
| I_{PK} | Peak Current ⁽¹⁹⁾ | $T_J = +25^{\circ}\text{C}$ | | 2.2 | | A | |

Notes:

18. Load and line regulation are specified at constant junction temperature. Changes in V_O due to heating effects must be taken into account separately. Pulse testing with low duty is used.
19. These parameters, although guaranteed, are not 100% tested in production.

Electrical Characteristics (LM7805A)

Refer to the test circuit, $0^{\circ}\text{C} < T_J < 125^{\circ}\text{C}$, $I_O = 1\text{ A}$, $V_I = 10\text{ V}$, $C_I = 0.33\ \mu\text{F}$, $C_O = 0.1\ \mu\text{F}$, unless otherwise specified.

| Symbol | Parameter | Conditions | Min. | Typ. | Max. | Unit | |
|-----------------------|--------------------------------------|---|-------------------------------------|------|------|------------------------|------|
| V_O | Output Voltage | $T_J = +25^{\circ}\text{C}$ | 4.9 | 5.0 | 5.1 | V | |
| | | $I_O = 5\text{ mA to }1\text{ A}$, $P_O \leq 15\text{ W}$, $V_I = 7.5\text{ V to }20\text{ V}$ | 4.8 | 5.0 | 5.2 | | |
| Regline | Line Regulation ⁽²⁰⁾ | $V_I = 7.5\text{ V to }25\text{ V}$, $I_O = 500\text{ mA}$ | | 5.0 | 50.0 | mV | |
| | | $V_I = 8\text{ V to }12\text{ V}$ | | 3.0 | 50.0 | | |
| | | $T_J = +25^{\circ}\text{C}$ | $V_I = 7.3\text{ V to }20\text{ V}$ | | 5.0 | | 50.0 |
| | | | $V_I = 8\text{ V to }12\text{ V}$ | | 1.5 | | 25.0 |
| Regload | Load Regulation ⁽²⁰⁾ | $T_J = +25^{\circ}\text{C}$, $I_O = 5\text{ mA to }1.5\text{ A}$ | | 9 | 100 | mV | |
| | | $I_O = 5\text{ mA to }1\text{ A}$ | | 9 | 100 | | |
| | | $I_O = 250\text{ mA to }750\text{ mA}$ | | 4 | 50 | | |
| I_Q | Quiescent Current | $T_J = +25^{\circ}\text{C}$ | | 5 | 6 | mA | |
| ΔI_Q | Quiescent Current Change | $I_O = 5\text{ mA to }1\text{ A}$ | | | 0.5 | mA | |
| | | $V_I = 8\text{ V to }25\text{ V}$, $I_O = 500\text{ mA}$ | | | 0.8 | | |
| | | $V_I = 7.5\text{ V to }20\text{ V}$, $T_J = +25^{\circ}\text{C}$ | | | 0.8 | | |
| $\Delta V_O/\Delta T$ | Output Voltage Drift ⁽²¹⁾ | $I_O = 5\text{ mA}$ | | -0.8 | | mV/ $^{\circ}\text{C}$ | |
| V_N | Output Noise Voltage | $f = 10\text{ Hz to }100\text{ kHz}$, $T_A = +25^{\circ}\text{C}$ | | 42 | | μV | |
| RR | Ripple Rejection ⁽²¹⁾ | $f = 120\text{ Hz}$, $V_O = 500\text{ mA}$, $V_I = 8\text{ V to }18\text{ V}$ | | 68 | | dB | |
| V_{DROP} | Dropout Voltage | $I_O = 1\text{ A}$, $T_J = +25^{\circ}\text{C}$ | | 2 | | V | |
| R_O | Output Resistance ⁽²¹⁾ | $f = 1\text{ kHz}$ | | 17 | | m Ω | |
| I_{SC} | Short-Circuit Current | $V_I = 35\text{ V}$, $T_J = +25^{\circ}\text{C}$ | | 250 | | mA | |
| I_{PK} | Peak Current ⁽²¹⁾ | $T_J = +25^{\circ}\text{C}$ | | 2.2 | | A | |

Notes:

20. Load and line regulation are specified at constant junction temperature. Changes in V_O due to heating effects must be taken into account separately. Pulse testing with low duty is used.

21. These parameters, although guaranteed, are not 100% tested in production.

Electrical Characteristics (LM7809A)Refer to the test circuit, $0^{\circ}\text{C} < T_J < 125^{\circ}\text{C}$, $I_O = 1\text{ A}$, $V_I = 15\text{ V}$, $C_I = 0.33\text{ }\mu\text{F}$, $C_O = 0.1\text{ }\mu\text{F}$, unless otherwise specified.

| Symbol | Parameter | Conditions | Min. | Typ. | Max. | Unit | |
|-----------------------|--------------------------------------|--|--------------------------------------|------|------|------------------------|----|
| V_O | Output Voltage | $T_J = +25^{\circ}\text{C}$ | 8.82 | 9.00 | 9.16 | V | |
| | | $I_O = 5\text{ mA to }1\text{ A}$, $P_O \leq 15\text{ W}$, $V_I = 11.2\text{ V to }24\text{ V}$ | 8.65 | 9.00 | 9.35 | | |
| Regline | Line Regulation ⁽²²⁾ | $V_I = 11.7\text{ V to }25\text{ V}$, $I_O = 500\text{ mA}$ | | 6 | 90 | mV | |
| | | $V_I = 12.5\text{ V to }19\text{ V}$ | | 4 | 45 | | |
| | | $T_J = +25^{\circ}\text{C}$ | $V_I = 11.5\text{ V to }24\text{ V}$ | | 6 | | 90 |
| | | | $V_I = 12.5\text{ V to }19\text{ V}$ | | 2 | | 45 |
| Regload | Load Regulation ⁽²²⁾ | $T_J = +25^{\circ}\text{C}$, $I_O = 5\text{ mA to }1.5\text{ A}$ | | 12 | 100 | mV | |
| | | $I_O = 5\text{ mA to }1\text{ A}$ | | 12 | 100 | | |
| | | $I_O = 250\text{ mA to }750\text{ mA}$ | | 5 | 50 | | |
| I_Q | Quiescent Current | $T_J = +25^{\circ}\text{C}$ | | 5 | 6 | mA | |
| ΔI_Q | Quiescent Current Change | $I_O = 5\text{ mA to }1\text{ A}$ | | | 0.5 | mA | |
| | | $V_I = 12\text{ V to }25\text{ V}$, $I_O = 500\text{ mA}$ | | | 0.8 | | |
| | | $V_I = 11.7\text{ V to }25\text{ V}$, $T_J = +25^{\circ}\text{C}$ | | | 0.8 | | |
| $\Delta V_O/\Delta T$ | Output Voltage Drift ⁽²³⁾ | $I_O = 5\text{ mA}$ | | -1 | | mV/ $^{\circ}\text{C}$ | |
| V_N | Output Noise Voltage | $f = 10\text{ Hz to }100\text{ kHz}$, $T_A = +25^{\circ}\text{C}$ | | 58 | | μV | |
| RR | Ripple Rejection ⁽²³⁾ | $f = 120\text{ Hz}$, $V_O = 500\text{ mA}$, $V_I = 12\text{ V to }22\text{ V}$ | | 62 | | dB | |
| V_{DROP} | Dropout Voltage | $I_O = 1\text{ A}$, $T_J = +25^{\circ}\text{C}$ | | 2 | | V | |
| R_O | Output Resistance ⁽²³⁾ | $f = 1\text{ kHz}$ | | 17 | | m Ω | |
| I_{SC} | Short-Circuit Current | $V_I = 35\text{ V}$, $T_J = +25^{\circ}\text{C}$ | | 250 | | mA | |
| I_{PK} | Peak Current ⁽²³⁾ | $T_J = +25^{\circ}\text{C}$ | | 2.2 | | A | |

Notes:

22. Load and line regulation are specified at constant junction temperature. Changes in V_O due to heating effects must be taken into account separately. Pulse testing with low duty is used.

23. These parameters, although guaranteed, are not 100% tested in production.

Electrical Characteristics (LM7810A)Refer to the test circuit, $0^{\circ}\text{C} < T_J < 125^{\circ}\text{C}$, $I_O = 1\text{ A}$, $V_I = 16\text{ V}$, $C_I = 0.33\text{ }\mu\text{F}$, $C_O = 0.1\text{ }\mu\text{F}$, unless otherwise specified.

| Symbol | Parameter | Conditions | Min. | Typ. | Max. | Unit | |
|-----------------------|--------------------------------------|--|--------------------------------------|------|------|------------------------|-----|
| V_O | Output Voltage | $T_J = +25^{\circ}\text{C}$ | 9.8 | 10.0 | 10.2 | V | |
| | | $I_O = 5\text{ mA to }1\text{ A}$, $P_O \leq 15\text{ W}$, $V_I = 12.8\text{ V to }25\text{ V}$ | 9.6 | 10.0 | 10.4 | | |
| Regline | Line Regulation ⁽²⁴⁾ | $V_I = 12.8\text{ V to }26\text{ V}$, $I_O = 500\text{ mA}$ | | 8 | 100 | mV | |
| | | $V_I = 13\text{ V to }20\text{ V}$ | | 4 | 50 | | |
| | | $T_J = +25^{\circ}\text{C}$ | $V_I = 12.5\text{ V to }25\text{ V}$ | | 8 | | 100 |
| | | | $V_I = 13\text{ V to }20\text{ V}$ | | 3 | | 50 |
| Regload | Load Regulation ⁽²⁴⁾ | $T_J = +25^{\circ}\text{C}$, $I_O = 5\text{ mA to }1.5\text{ A}$ | | 12 | 100 | mV | |
| | | $I_O = 5\text{ mA to }1\text{ A}$ | | 12 | 100 | | |
| | | $I_O = 250\text{ mA to }750\text{ mA}$ | | 5 | 50 | | |
| I_Q | Quiescent Current | $T_J = +25^{\circ}\text{C}$ | | 5 | 6 | mA | |
| ΔI_Q | Quiescent Current Change | $I_O = 5\text{ mA to }1\text{ A}$ | | | 0.5 | mA | |
| | | $V_I = 12.8\text{ V to }25\text{ V}$, $I_O = 500\text{ mA}$ | | | 0.8 | | |
| | | $V_I = 13\text{ V to }26\text{ V}$, $T_J = +25^{\circ}\text{C}$ | | | 0.5 | | |
| $\Delta V_O/\Delta T$ | Output Voltage Drift ⁽²⁵⁾ | $I_O = 5\text{ mA}$ | | -1 | | mV/ $^{\circ}\text{C}$ | |
| V_N | Output Noise Voltage | $f = 10\text{ Hz to }100\text{ kHz}$, $T_A = +25^{\circ}\text{C}$ | | 58 | | μV | |
| RR | Ripple Rejection ⁽²⁵⁾ | $f = 120\text{ Hz}$, $V_O = 500\text{ mA}$, $V_I = 14\text{ V to }24\text{ V}$ | | 62 | | dB | |
| V_{DROP} | Dropout Voltage | $I_O = 1\text{ A}$, $T_J = +25^{\circ}\text{C}$ | | 2 | | V | |
| R_O | Output Resistance ⁽²⁵⁾ | $f = 1\text{ kHz}$ | | 17 | | m Ω | |
| I_{SC} | Short-Circuit Current | $V_I = 35\text{ V}$, $T_J = +25^{\circ}\text{C}$ | | 250 | | mA | |
| I_{PK} | Peak Current ⁽²⁵⁾ | $T_J = +25^{\circ}\text{C}$ | | 2.2 | | A | |

Notes:

24. Load and line regulation are specified at constant junction temperature. Changes in V_O due to heating effects must be taken into account separately. Pulse testing with low duty is used.

25. These parameters, although guaranteed, are not 100% tested in production.

Electrical Characteristics (LM7812A)Refer to the test circuit, $0^{\circ}\text{C} < T_J < 125^{\circ}\text{C}$, $I_O = 1\text{ A}$, $V_I = 19\text{ V}$, $C_I = 0.33\text{ }\mu\text{F}$, $C_O = 0.1\text{ }\mu\text{F}$, unless otherwise specified.

| Symbol | Parameter | Conditions | Min. | Typ. | Max. | Unit | |
|-----------------------|--------------------------------------|--|--------------------------------------|-------|-------|------------------------|-----|
| V_O | Output Voltage | $T_J = +25^{\circ}\text{C}$ | 11.75 | 12.00 | 12.25 | V | |
| | | $I_O = 5\text{ mA to }1\text{ A}$, $P_O \leq 15\text{ W}$, $V_I = 14.8\text{ V to }27\text{ V}$ | 11.50 | 12.00 | 12.50 | | |
| Regline | Line Regulation ⁽²⁶⁾ | $V_I = 14.8\text{ V to }30\text{ V}$, $I_O = 500\text{ mA}$ | | 10 | 120 | mV | |
| | | $V_I = 16\text{ V to }22\text{ V}$ | | 4 | 120 | | |
| | | $T_J = +25^{\circ}\text{C}$ | $V_I = 14.5\text{ V to }27\text{ V}$ | | 10 | | 120 |
| | | | $V_I = 16\text{ V to }22\text{ V}$ | | 3 | | 60 |
| Regload | Load Regulation ⁽²⁶⁾ | $T_J = +25^{\circ}\text{C}$, $I_O = 5\text{ mA to }1.5\text{ A}$ | | 12 | 100 | mV | |
| | | $I_O = 5\text{ mA to }1\text{ A}$ | | 12 | 100 | | |
| | | $I_O = 250\text{ mA to }750\text{ mA}$ | | 5 | 50 | | |
| I_Q | Quiescent Current | $T_J = +25^{\circ}\text{C}$ | | 5 | 6 | mA | |
| ΔI_Q | Quiescent Current Change | $I_O = 5\text{ mA to }1\text{ A}$ | | | 0.5 | mA | |
| | | $V_I = 14\text{ V to }27\text{ V}$, $I_O = 500\text{ mA}$ | | | 0.8 | | |
| | | $V_I = 15\text{ V to }30\text{ V}$, $T_J = +25^{\circ}\text{C}$ | | | 0.8 | | |
| $\Delta V_O/\Delta T$ | Output Voltage Drift ⁽²⁷⁾ | $I_O = 5\text{ mA}$ | | -1 | | mV/ $^{\circ}\text{C}$ | |
| V_N | Output Noise Voltage | $f = 10\text{ Hz to }100\text{ kHz}$, $T_A = +25^{\circ}\text{C}$ | | 76 | | μV | |
| RR | Ripple Rejection ⁽²⁷⁾ | $f = 120\text{ Hz}$, $V_O = 500\text{ mA}$, $V_I = 14\text{ V to }24\text{ V}$ | | 60 | | dB | |
| V_{DROP} | Dropout Voltage | $I_O = 1\text{ A}$, $T_J = +25^{\circ}\text{C}$ | | 2 | | V | |
| R_O | Output Resistance ⁽²⁷⁾ | $f = 1\text{ kHz}$ | | 18 | | m Ω | |
| I_{SC} | Short-Circuit Current | $V_I = 35\text{ V}$, $T_J = +25^{\circ}\text{C}$ | | 250 | | mA | |
| I_{PK} | Peak Current ⁽²⁷⁾ | $T_J = +25^{\circ}\text{C}$ | | 2.2 | | A | |

Notes:

26. Load and line regulation are specified at constant junction temperature. Changes in V_O due to heating effects must be taken into account separately. Pulse testing with low duty is used.

27. These parameters, although guaranteed, are not 100% tested in production.

Electrical Characteristics (LM7815A)Refer to the test circuit, $0^{\circ}\text{C} < T_J < 125^{\circ}\text{C}$, $I_O = 1\text{ A}$, $V_I = 23\text{ V}$, $C_I = 0.33\text{ }\mu\text{F}$, $C_O = 0.1\text{ }\mu\text{F}$, unless otherwise specified.

| Symbol | Parameter | Conditions | Min. | Typ. | Max. | Unit | |
|-----------------------|--------------------------------------|--|--------------------------------------|-------|-------|------------------------|-----|
| V_O | Output Voltage | $T_J = +25^{\circ}\text{C}$ | 14.75 | 15.00 | 15.30 | V | |
| | | $I_O = 5\text{ mA to }1\text{ A}$, $P_O \leq 15\text{ W}$, $V_I = 17.7\text{ V to }30\text{ V}$ | 14.40 | 15.00 | 15.60 | | |
| Regline | Line Regulation ⁽²⁸⁾ | $V_I = 17.4\text{ V to }30\text{ V}$, $I_O = 500\text{ mA}$ | | 10 | 150 | mV | |
| | | $V_I = 20\text{ V to }26\text{ V}$ | | 5 | 150 | | |
| | | $T_J = +25^{\circ}\text{C}$ | $V_I = 17.5\text{ V to }30\text{ V}$ | | 11 | | 150 |
| | | | $V_I = 20\text{ V to }26\text{ V}$ | | 3 | | 75 |
| Regload | Load Regulation ⁽²⁸⁾ | $T_J = +25^{\circ}\text{C}$, $I_O = 5\text{ mA to }1.5\text{ A}$ | | 12 | 100 | mV | |
| | | $I_O = 5\text{ mA to }1\text{ A}$ | | 12 | 100 | | |
| | | $I_O = 250\text{ mA to }750\text{ mA}$ | | 5 | 50 | | |
| I_Q | Quiescent Current | $T_J = +25^{\circ}\text{C}$ | | 5.2 | 6.0 | mA | |
| ΔI_Q | Quiescent Current Change | $I_O = 5\text{ mA to }1\text{ A}$ | | | 0.5 | mA | |
| | | $V_I = 17.5\text{ V to }30\text{ V}$, $I_O = 500\text{ mA}$ | | | 0.8 | | |
| | | $V_I = 17.5\text{ V to }30\text{ V}$, $T_J = +25^{\circ}\text{C}$ | | | 0.8 | | |
| $\Delta V_O/\Delta T$ | Output Voltage Drift ⁽²⁹⁾ | $I_O = 5\text{ mA}$ | | -1 | | mV/ $^{\circ}\text{C}$ | |
| V_N | Output Noise Voltage | $f = 10\text{ Hz to }100\text{ kHz}$, $T_A = +25^{\circ}\text{C}$ | | 90 | | μV | |
| RR | Ripple Rejection ⁽²⁹⁾ | $f = 120\text{ Hz}$, $V_O = 500\text{ mA}$, $V_I = 18.5\text{ V to }28.5\text{ V}$ | | 58 | | dB | |
| V_{DROP} | Dropout Voltage | $I_O = 1\text{ A}$, $T_J = +25^{\circ}\text{C}$ | | 2 | | V | |
| R_O | Output Resistance ⁽²⁹⁾ | $f = 1\text{ kHz}$ | | 19 | | m Ω | |
| I_{SC} | Short-Circuit Current | $V_I = 35\text{ V}$, $T_J = +25^{\circ}\text{C}$ | | 250 | | mA | |
| I_{PK} | Peak Current ⁽²⁹⁾ | $T_J = +25^{\circ}\text{C}$ | | 2.2 | | A | |

Notes:

28. Load and line regulation are specified at constant junction temperature. Changes in V_O due to heating effects must be taken into account separately. Pulse testing with low duty is used.

29. These parameters, although guaranteed, are not 100% tested in production.

Typical Performance Characteristics

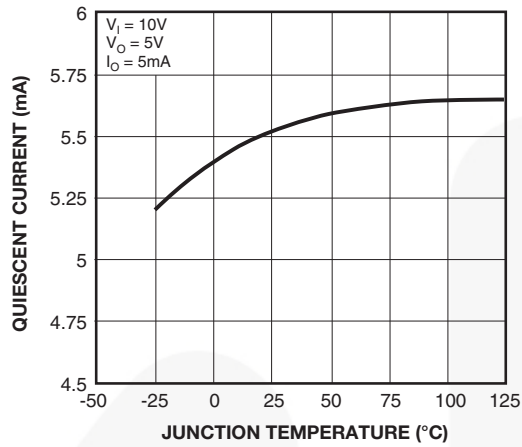


Figure 2. Quiescent Current

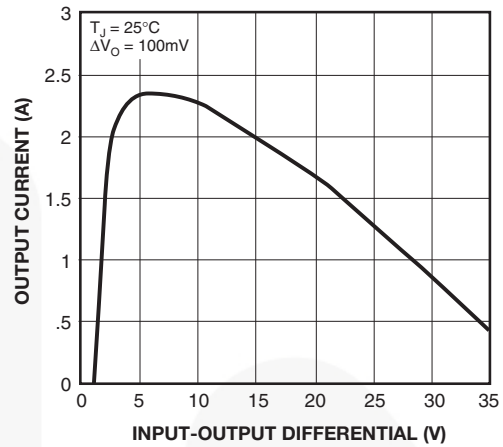


Figure 3. Peak Output Current

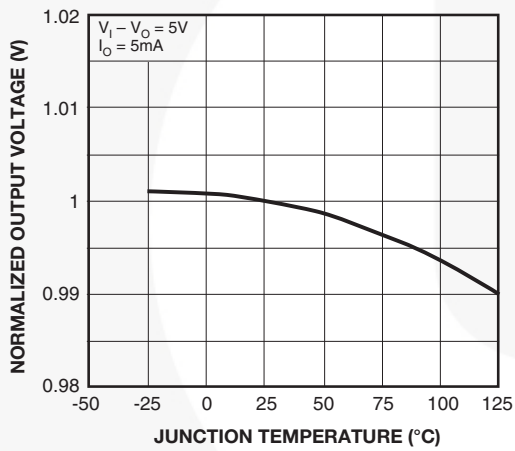


Figure 4. Output Voltage

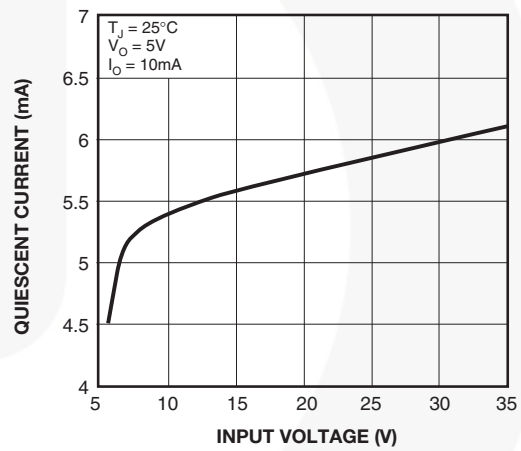


Figure 5. Quiescent Current

Typical Applications

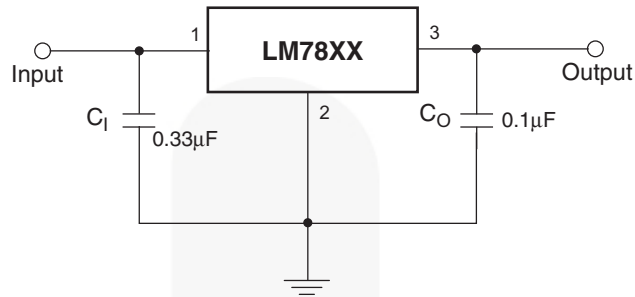


Figure 6. DC Parameters

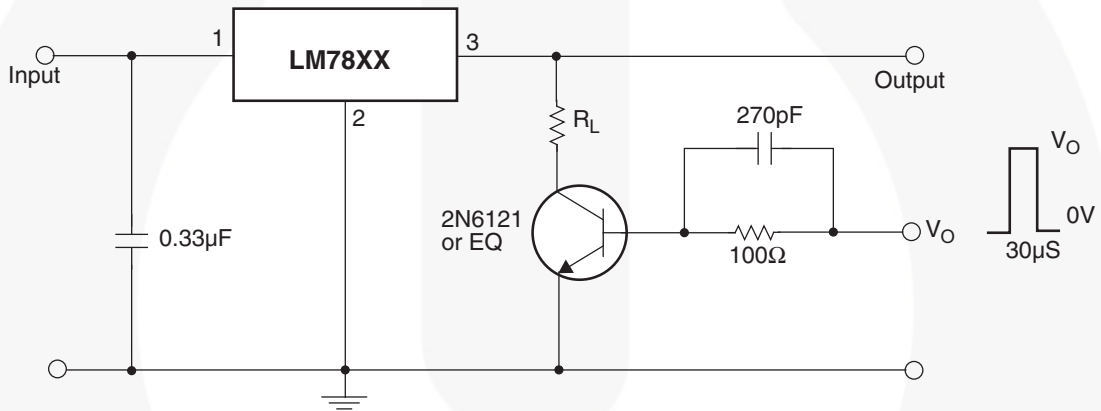


Figure 7. Load Regulation

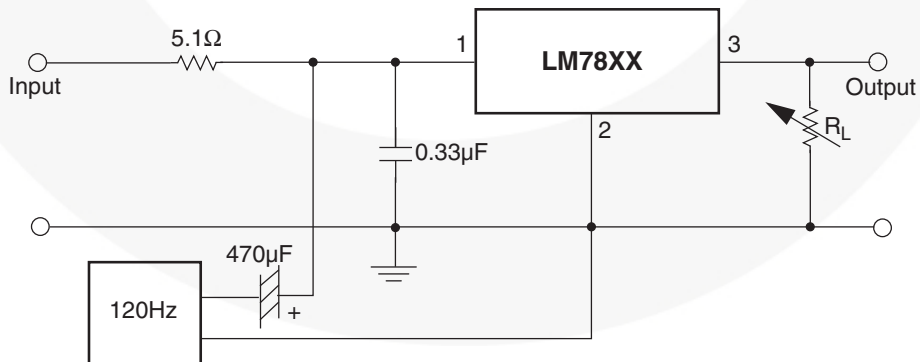


Figure 8. Ripple Rejection

Typical Applications (Continued)

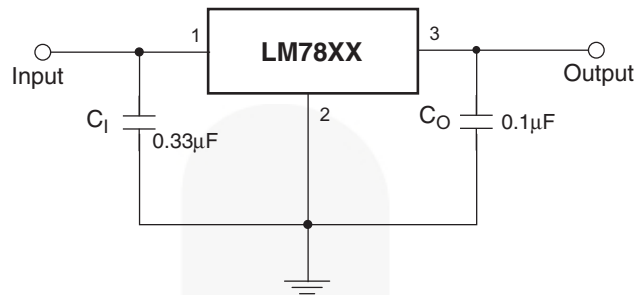


Figure 9. Fixed-Output Regulator

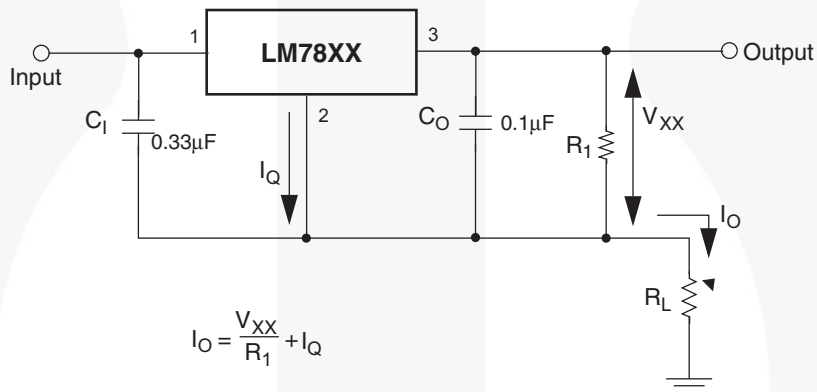


Figure 10. Constant Current Regulator

Notes:

- 29. To specify an output voltage, substitute voltage value for "XX". A common ground is required between the input and the output voltage. The input voltage must remain typically 2.0 V above the output voltage even during the low point on the input ripple voltage.
- 30. C₁ is required if regulator is located an appreciable distance from power supply filter.
- 31. C₀ improves stability and transient response.

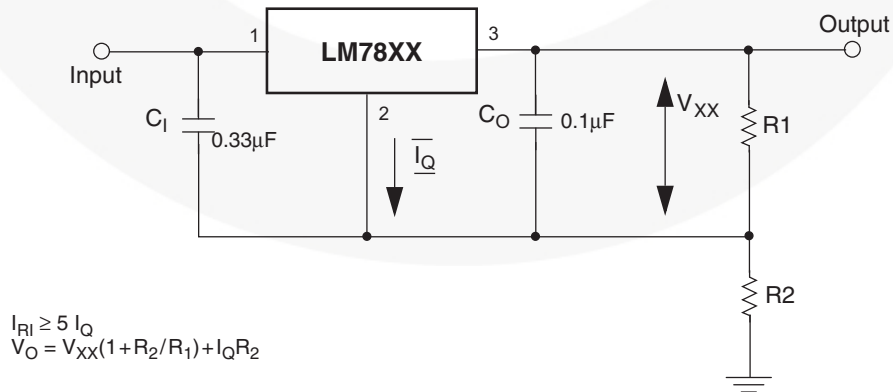


Figure 11. Circuit for Increasing Output Voltage

Typical Applications (Continued)

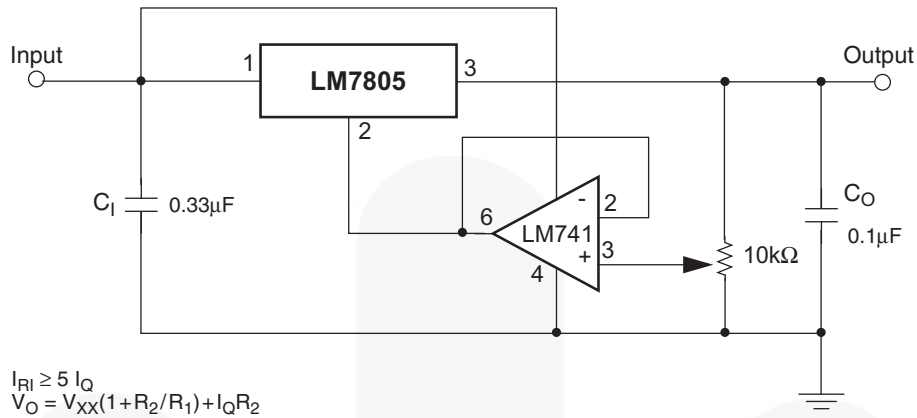


Figure 12. Adjustable Output Regulator (7 V to 30 V)

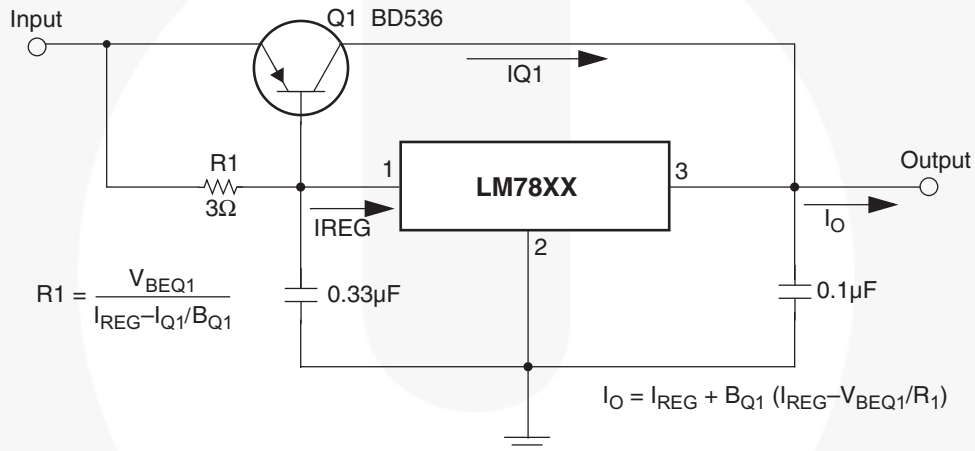


Figure 13. High-Current Voltage Regulator

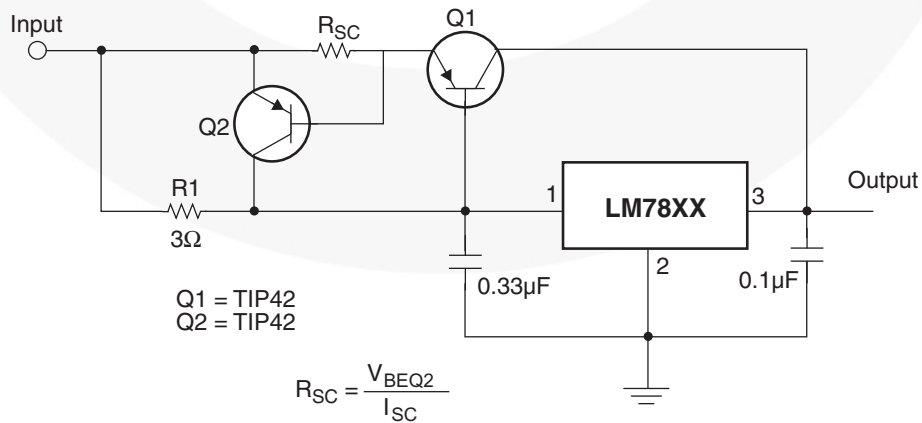


Figure 14. High Output Current with Short-Circuit Protection

Typical Applications (Continued)

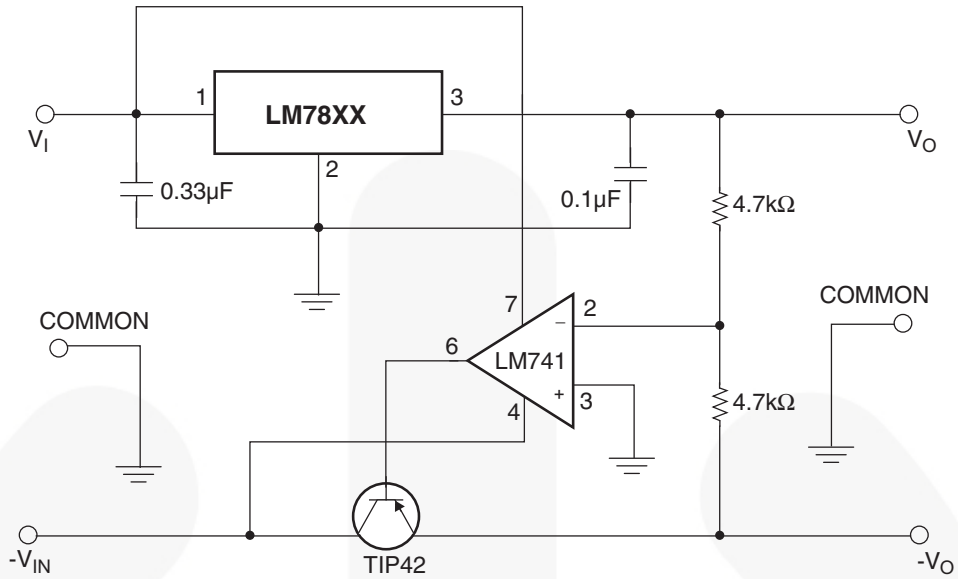


Figure 15. Tracking Voltage Regulator

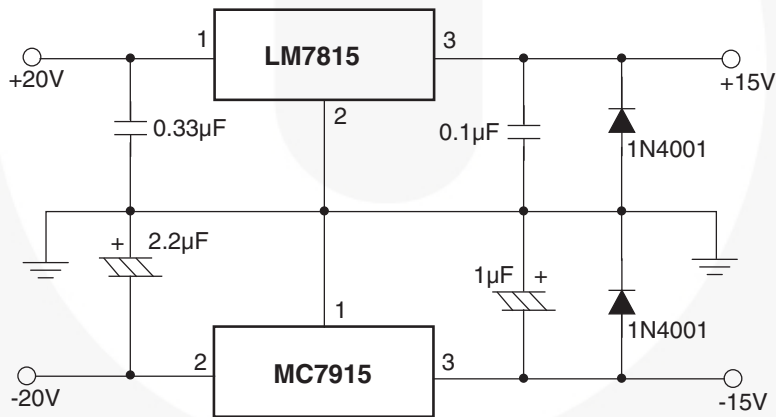


Figure 16. Split Power Supply (± 15 V - 1 A)

Typical Applications (Continued)

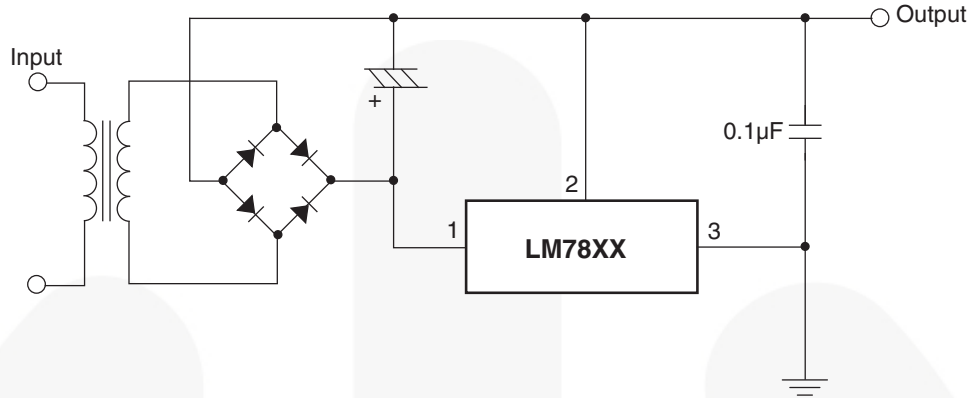


Figure 17. Negative Output Voltage Circuit

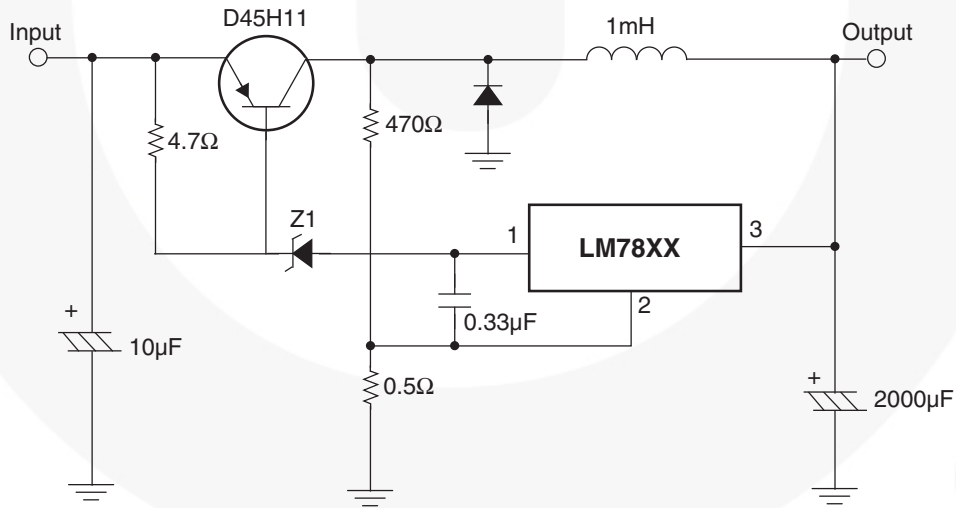


Figure 18. Switching Regulator

Physical Dimensions

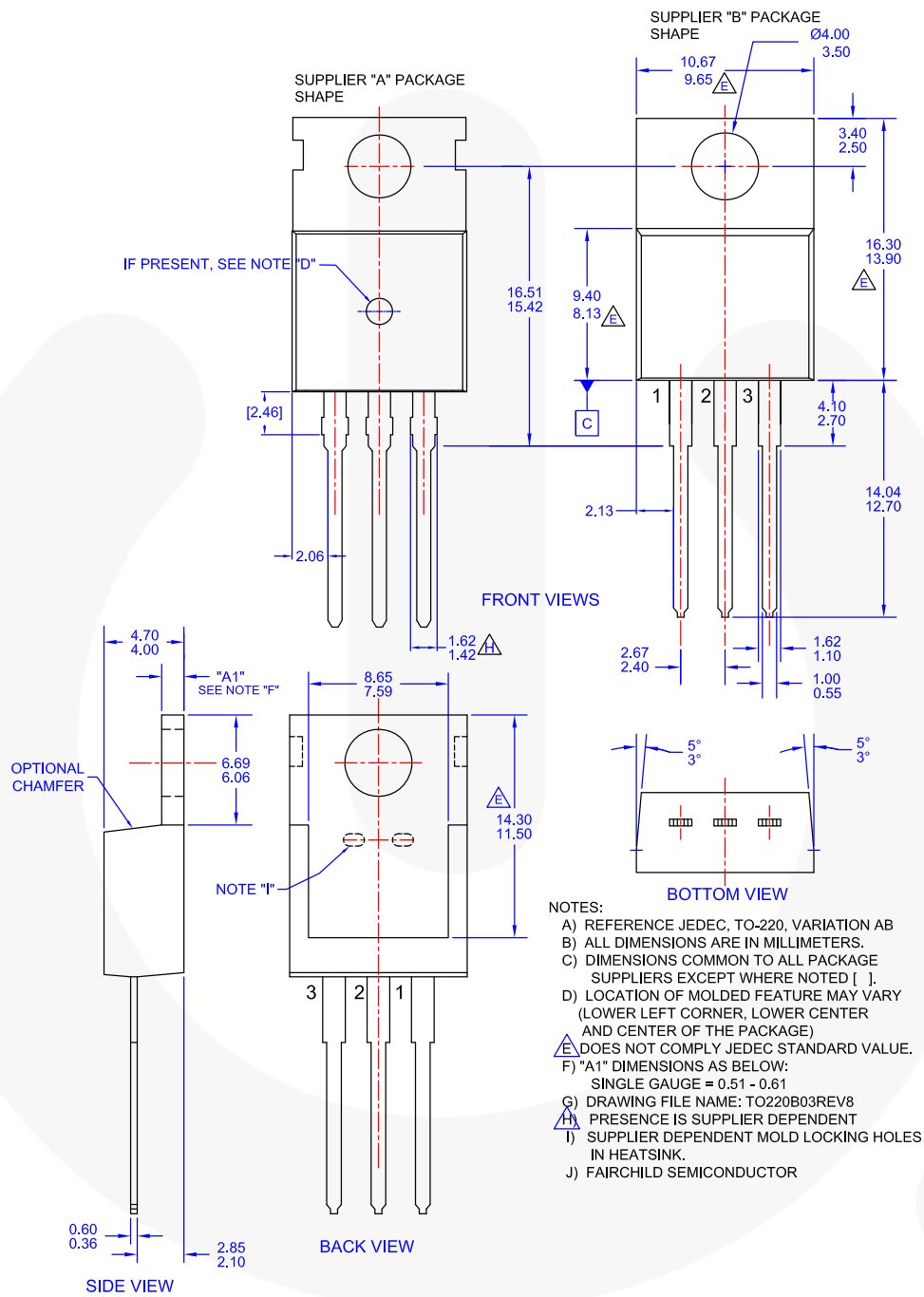


Figure 19. TO-220, MOLDED, 3-LEAD, JEDEC VARIATION AB (ACTIVE)



TRADEMARKS

The following includes registered and unregistered trademarks and service marks, owned by Fairchild Semiconductor and/or its global subsidiaries, and is not intended to be an exhaustive list of all such trademarks.

| | | | |
|--------------------------|--|---------------------------------------|------------------|
| AccuPower™ | F-PFS™ | | |
| Awinda® | FRFET® | PowerTrench® | TinyBoost® |
| AX-CAP®* | Global Power Resource SM | PowerXS™ | TinyBuck® |
| BitSiC™ | GreenBridge™ | Programmable Active Droop™ | TinyCalc™ |
| Build it Now™ | Green FPS™ | QFET® | TinyLogic® |
| CorePLUS™ | Green FPS™ e-Series™ | QS™ | TINYOPTO™ |
| CorePOWER™ | Gmax™ | Quiet Series™ | TinyPower™ |
| CROSSVOLT™ | GTO™ | RapidConfigure™ | TinyPWM™ |
| CTL™ | IntelliMAX™ | | TinyWire™ |
| Current Transfer Logic™ | ISOPLANAR™ | Saving our world, 1mW/W/kW at a time™ | TranSiC™ |
| DEUXPEED® | Making Small Speakers Sound Louder and Better™ | SignalWise™ | TriFault Detect™ |
| Dual Cool™ | MegaBuck™ | SmartMax™ | TRUECURRENT®* |
| EcoSPARK® | MICROCOUPLER™ | SMART START™ | µSerDes™ |
| EfficientMax™ | MicroFET™ | Solutions for Your Success™ | |
| ESBC™ | MicroPak™ | SPM® | UHC® |
| | MicroPak2™ | STEALTH™ | Ultra FRFET™ |
| Fairchild® | MillerDrive™ | SuperFET® | UniFET™ |
| Fairchild Semiconductor® | MotionMax™ | SuperSOT™-3 | VCX™ |
| FACT Quiet Series™ | MotionGrid® | SuperSOT™-6 | VisualMax™ |
| FACT® | MTi® | SuperSOT™-8 | VoltagePlus™ |
| FAST® | MTx® | SupreMOS® | XS™ |
| FastvCore™ | MVN® | SyncFET™ | Xsens™ |
| FETBench™ | mWSaver® | Sync-Lock™ | 仙童™ |
| FPS™ | OptoHiT™ | | |

* Trademarks of System General Corporation, used under license by Fairchild Semiconductor.

DISCLAIMER

FAIRCHILD SEMICONDUCTOR RESERVES THE RIGHT TO MAKE CHANGES WITHOUT FURTHER NOTICE TO ANY PRODUCTS HEREIN TO IMPROVE RELIABILITY, FUNCTION, OR DESIGN. TO OBTAIN THE LATEST, MOST UP-TO-DATE DATASHEET AND PRODUCT INFORMATION, VISIT OUR WEBSITE AT [HTTP://WWW.FAIRCHILDSEMI.COM](http://www.fairchildsemi.com). FAIRCHILD DOES NOT ASSUME ANY LIABILITY ARISING OUT OF THE APPLICATION OR USE OF ANY PRODUCT OR CIRCUIT DESCRIBED HEREIN; NEITHER DOES IT CONVEY ANY LICENSE UNDER ITS PATENT RIGHTS, NOR THE RIGHTS OF OTHERS. THESE SPECIFICATIONS DO NOT EXPAND THE TERMS OF FAIRCHILD'S WORLDWIDE TERMS AND CONDITIONS, SPECIFICALLY THE WARRANTY THEREIN, WHICH COVERS THESE PRODUCTS.

LIFE SUPPORT POLICY

FAIRCHILD'S PRODUCTS ARE NOT AUTHORIZED FOR USE AS CRITICAL COMPONENTS IN LIFE SUPPORT DEVICES OR SYSTEMS WITHOUT THE EXPRESS WRITTEN APPROVAL OF FAIRCHILD SEMICONDUCTOR CORPORATION.

As used herein:

1. Life support devices or systems are devices or systems which, (a) are intended for surgical implant into the body or (b) support or sustain life, and (c) whose failure to perform when properly used in accordance with instructions for use provided in the labeling, can be reasonably expected to result in a significant injury of the user.
2. A critical component in any component of a life support, device, or system whose failure to perform can be reasonably expected to cause the failure of the life support device or system, or to affect its safety or effectiveness.

ANTI-COUNTERFEITING POLICY

Fairchild Semiconductor Corporation's Anti-Counterfeiting Policy. Fairchild's Anti-Counterfeiting Policy is also stated on our external website, www.fairchildsemi.com, under Sales Support.

Counterfeiting of semiconductor parts is a growing problem in the industry. All manufacturers of semiconductor products are experiencing counterfeiting of their parts. Customers who inadvertently purchase counterfeit parts experience many problems such as loss of brand reputation, substandard performance, failed applications, and increased cost of production and manufacturing delays. Fairchild is taking strong measures to protect ourselves and our customers from the proliferation of counterfeit parts. Fairchild strongly encourages customers to purchase Fairchild parts either directly from Fairchild or from Authorized Fairchild Distributors who are listed by country on our web page cited above. Products customers buy either from Fairchild directly or from Authorized Fairchild Distributors are genuine parts, have full traceability, meet Fairchild's quality standards for handling and storage and provide access to Fairchild's full range of up-to-date technical and product information. Fairchild and our Authorized Distributors will stand behind all warranties and will appropriately address any warranty issues that may arise. Fairchild will not provide any warranty coverage or other assistance for parts bought from Unauthorized Sources. Fairchild is committed to combat this global problem and encourage our customers to do their part in stopping this practice by buying direct or from authorized distributors.

PRODUCT STATUS DEFINITIONS

Definition of Terms

| Datasheet Identification | Product Status | Definition |
|--------------------------|-----------------------|---|
| Advance Information | Formative / In Design | Datasheet contains the design specifications for product development. Specifications may change in any manner without notice. |
| Preliminary | First Production | Datasheet contains preliminary data; supplementary data will be published at a later date. Fairchild Semiconductor reserves the right to make changes at any time without notice to improve design. |
| No Identification Needed | Full Production | Datasheet contains final specifications. Fairchild Semiconductor reserves the right to make changes at any time without notice to improve the design. |
| Obsolete | Not In Production | Datasheet contains specifications on a product that is discontinued by Fairchild Semiconductor. The datasheet is for reference information only. |

Rev. 171

Mouser Electronics

Authorized Distributor

Click to View Pricing, Inventory, Delivery & Lifecycle Information:

[Fairchild Semiconductor:](#)

[LM7812ACT](#)