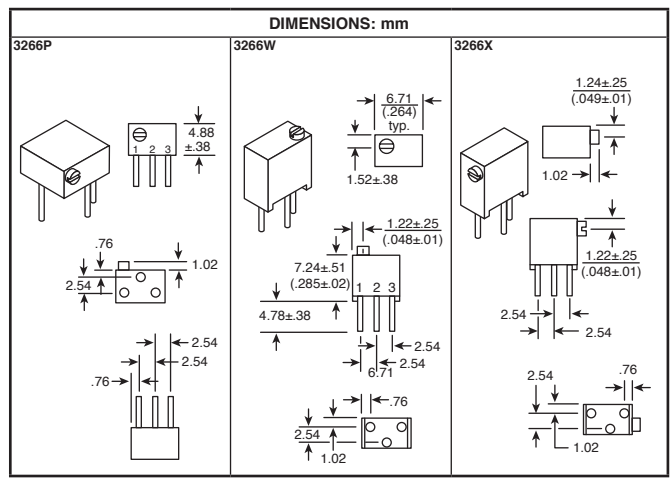


# BOURNS Multi-Turn Cermet Trimmer Potentiometers

RoHS Compliant This page of product is RoHS compliant.

## 3266 SERIES - 1/4" SQUARE, 12 TURN, SEALED



**Specifications:**

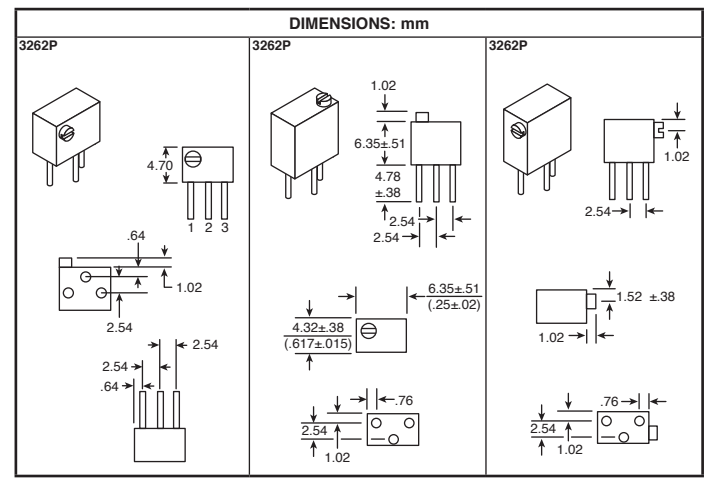
- Resistance tolerance:  $\pm 10\%$  std.
- Power rating: 70°C - 0.25W; 150°C - 0W
- Temperature range: -55°C to +150°C
- Temperature coefficient:  $\pm 100\text{ppm}/^\circ\text{C}$

For quantities greater than listed, call for quote.

Series No.	Price Each					
	1	10	50	100	500	1000
3266P, 3266W, 3266X	4.16	3.25	3.06	2.86	2.34	2.02

Value ( $\Omega$ )	3266P Series	3266W Series	3266X Series
	MOUSER STOCK NO.		
50	-----	652-3266W-1-500LF	652-3266X-1-500LF
100	652-3266P-1-101LF	652-3266W-1-101LF	652-3266X-1-101LF
200	652-3266P-1-201LF	652-3266W-1-201LF	652-3266X-1-201LF
500	652-3266P-1-501LF	652-3266W-1-501LF	652-3266X-1-501LF
1K	652-3266P-1-102LF	652-3266W-1-102LF	652-3266X-1-102LF
2K	652-3266P-1-202LF	652-3266W-1-202LF	652-3266X-1-202LF
5K	652-3266P-1-502LF	652-3266W-1-502LF	652-3266X-1-502LF
10K	652-3266P-1-103LF	652-3266W-1-103LF	652-3266X-1-103LF
20K	652-3266P-1-203LF	652-3266W-1-203LF	652-3266X-1-203LF
25K	652-3266P-1-253LF	652-3266W-1-253LF	652-3266X-1-253LF
50K	652-3266P-1-503LF	652-3266W-1-503LF	652-3266X-1-503LF
100K	652-3266P-1-104LF	652-3266W-1-104LF	652-3266X-1-104LF
200K	652-3266P-1-204LF	652-3266W-1-204LF	652-3266X-1-204LF
500K	-----	652-3266W-1-504LF	652-3266X-1-504LF
1M	-----	652-3266W-1-105LF	652-3266X-1-105LF

## 3262 SERIES - 1/4" SQUARE, 12 TURN, SEALED



**Specifications:**

- Resistance tolerance:  $\pm 10\%$  std.
- Power rating: 85°C - 0.25W; 150°C - 0W
- Temperature range: -65°C to +150°C
- Temperature coefficient:  $\pm 100\text{ppm}/^\circ\text{C}$

For quantities greater than listed, call for quote.

Series No.	Price Each			
	1	10	50	100
3262P, 3262W, 3262X	13.52	12.48	10.40	9.36

Value ( $\Omega$ )	3262P Series	3262W Series	3262X Series
	MOUSER STOCK NO.		
50	-----	652-3262W-1-101LF	-----
100	-----	652-3262W-1-201LF	652-3262X-1-201LF
200	-----	652-3262W-1-501LF	-----
500	-----	652-3262W-1-102LF	652-3262X-1-102LF
1K	652-3262P-1-102LF	652-3262W-1-102LF	652-3262X-1-102LF
2K	-----	652-3262W-1-202LF	-----
5K	-----	652-3262W-1-502LF	652-3262X-1-502LF
10K	652-3262P-1-103LF	652-3262W-1-103LF	652-3262X-1-103LF
20K	652-3262P-1-203LF	652-3262W-1-203LF	652-3262X-1-203LF
25K	-----	652-3262W-1-253LF	-----
50K	652-3262P-1-503LF	652-3262W-1-503LF	-----
100K	-----	652-3262W-1-104LF	652-3262X-1-104LF
200K	-----	652-3262W-1-204LF	-----
500K	-----	652-3262W-1-254LF	652-3262X-1-254LF
500K	-----	652-3262W-1-504LF	652-3262X-1-504LF

## 3299 SERIES - 3/8" SQUARE, 25 TURN, SEALED

**Specifications:**

- Resistance tolerance:  $\pm 10\%$  std.
- Power rating: 70°C - 0.5W; 125°C - 0W
- Temperature range: -55°C to +125°C
- Temperature coefficient:  $\pm 100\text{ppm}/^\circ\text{C}$

For quantities greater than listed, call for quote.

Series No.	Price Each				
	1	10	50	100	500
3299P, 3299Z	3.57	2.78	2.62	1.93	1.55
3299W, X, Y	3.39	2.65	2.50	2.34	1.91

Value ( $\Omega$ )	3299P Series	3299W Series	3299X Series	3299Y Series	3299Z Series
	MOUSER STOCK NO.				
10	652-3299P-1-100LF	652-3299W-1-100LF	-----	-----	652-3299Z-1-100LF
20	652-3299P-1-200LF	652-3299W-1-200LF	-----	652-3299Y-1-200LF	-----
50	-----	652-3299W-1-500LF	-----	652-3299Y-1-500LF	-----
100	652-3299P-1-101LF	652-3299W-1-101LF	652-3299X-1-101LF	652-3299Y-1-101LF	652-3299Z-1-101LF
200	652-3299P-1-201LF	652-3299W-1-201LF	652-3299X-1-201LF	652-3299Y-1-201LF	-----
500	652-3299P-1-501LF	652-3299W-1-501LF	652-3299X-1-501LF	652-3299Y-1-501LF	652-3299Z-1-501LF
1K	652-3299P-1-102LF	652-3299W-1-102LF	652-3299X-1-102LF	652-3299Y-1-102LF	652-3299Z-1-102LF
2K	652-3299P-1-202LF	652-3299W-1-202LF	652-3299X-1-202LF	652-3299Y-1-202LF	652-3299Z-1-202LF
5K	652-3299P-1-502LF	652-3299W-1-502LF	652-3299X-1-502LF	652-3299Y-1-502LF	652-3299Z-1-502LF
10K	652-3299P-1-103LF	652-3299W-1-103LF	652-3299X-1-103LF	652-3299Y-1-103LF	652-3299Z-1-103LF
20K	652-3299P-1-203LF	652-3299W-1-203LF	652-3299X-1-203LF	652-3299Y-1-203LF	652-3299Z-1-203LF
25K	652-3299P-1-253LF	652-3299W-1-253LF	652-3299X-1-253LF	652-3299Y-1-253LF	-----
50K	652-3299P-1-503LF	652-3299W-1-503LF	652-3299X-1-503LF	652-3299Y-1-503LF	652-3299Z-1-503LF
100K	652-3299P-1-104LF	652-3299W-1-104LF	652-3299X-1-104LF	652-3299Y-1-104LF	652-3299Z-1-104LF
200K	-----	652-3299W-1-204LF	652-3299X-1-204LF	652-3299Y-1-204LF	652-3299Z-1-204LF
250K	-----	652-3299W-1-254LF	652-3299X-1-254LF	-----	-----
500K	-----	652-3299W-1-504LF	652-3299X-1-504LF	652-3299Y-1-504LF	-----
1M	652-3299P-1-105LF	652-3299W-1-105LF	652-3299X-1-105LF	652-3299Y-1-105LF	-----
2M	-----	652-3299W-1-205LF	652-3299X-1-205LF	-----	-----

