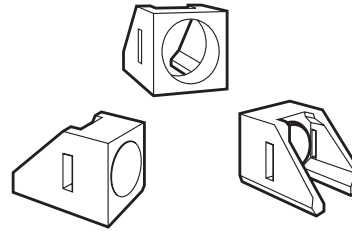


# HLMP-5029

## Right Angle Mount Housing



### Data Sheet



#### Description

The HLMP-5029 is a black plastic right angle housing which mates with Avago high dome T-13/4 lamps. The leads should be prebent 90° as shown prior to snapping into the right angle housing.

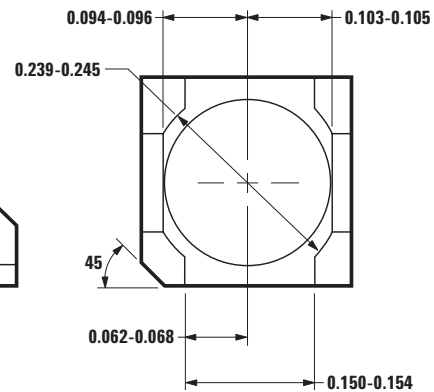
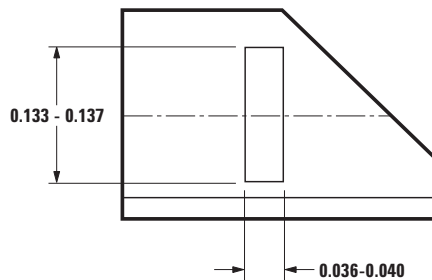
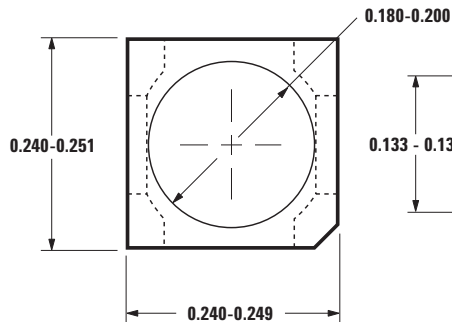
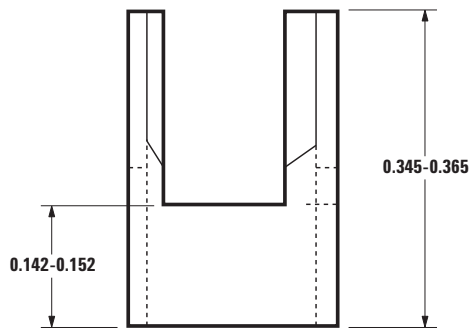
The housing material is high temperature nylon capable of withstanding temperatures up to +150°C.

As an option, T-13/4 lamps may be ordered pre-mounted into the HLMP-5029 housing with leads bent down 90° and sheared to length, see table. To order, select the lamp base, part number and affix the desired option code. For example, the HLMP-3301 HER lamp may be ordered pre-mounted into the HLMP-5029 housing with leads sheared to an even length. The part number for this option is: HLMP-3301-xxxB2.

#### Features

- Fits any Avago high dome T-13/4 LED lamp
- Snap-in fit makes mounting simple
- High contrast black plastic
- May be ordered with mounted T-1<sup>3</sup>/<sub>4</sub> lamp as an option
- Housing meets UL9V-0 flammability rating

#### Physical Dimensions



DIMENSIONS ARE IN INCHES.

OPTION NO.	CATHODE LEAD LENGTH	ANODE LEAD LENGTH	
B2	$\frac{4.70 (0.185)}{3.68 (0.145)}$	$\frac{4.70 (0.185)}{3.68 (0.145)}$	SHEARED EVEN LEADS
B1	20.32 (0.800) MIN.	1.27 (0.050) NOM. LONGER THAN CATHODE	UNSHEARED UNEVEN LEADS

NOTES: 1. ALL DIMENSIONS ARE IN MILLIMETERS (INCHES).  
2. LEAD WIDTH MAY BE 0.45 (0.018) OR 0.64 (0.025) SQUARE NOMINAL DEPENDING UPON PRODUCT TYPE.

For product information and a complete list of distributors, please go to our web site: [www.avagotech.com](http://www.avagotech.com)