

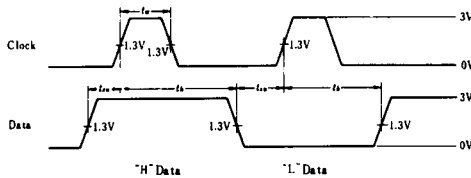
HD74LS74A • Dual D-type Positive Edge-triggered Flip-Flops (with Preset and Clear)

FUNCTION TABLE

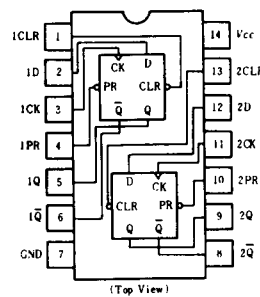
Inputs				Outputs	
Preset	Clear	Clock	D	Q	\bar{Q}
L	H	X	X	H	L
H	L	X	X	L	H
L	L	X	X	H*	H*
H	H	↑	H	H	L
H	H	↑	L	L	H
H	H	L	X	Q ₀	\bar{Q} ₀

Notes) H; high level, L; low level, X; irrelevant
 †; transition from low to high level
 Q₀; level of Q before the indicated steady-state conditions were established.
 \bar{Q} ₀; complement of Q₀ or level of \bar{Q} before the indicated steady-state input conditions were established.
 *; This configuration is nonstable, that is, it will not persist when preset and clear inputs return to their inactive (high) level.

TIMING DEFINITION



PIN ARRANGEMENT



RECOMMENDED OPERATING CONDITIONS

Item	Symbol	min	typ	max	Unit
Clock frequency	f_{clock}	0	—	25	MHz
Pulse width	Clock High	25	—	—	ns
	Clear/Preset	25	—	—	
Setup time	"H" Data	20†	—	—	ns
	"L" Data	20†	—	—	
Hold time	t_h	5†	—	—	ns

Note) †; The arrow indicates the rising edge.

ELECTRICAL CHARACTERISTICS (Ta = -20 ~ +75°C)

Item	Symbol	Test Conditions	min	typ*	max	Unit	
Input voltage	V_{IH}		2.0	—	—	V	
	V_{IL}		—	—	0.8	V	
Output voltage	V_{OH}	$V_{CC}=4.75V, V_{IH}=2V, V_{IL}=0.8V, I_{OH}=-400\mu A$	2.7	—	—	V	
	V_{OL}	$V_{CC}=4.75V, V_{IL}=0.8V, V_{IH}=2V$	$I_{OL}=8mA$	—	—	0.5	V
			$I_{OL}=4mA$	—	—	0.4	
Input current	I _{IH}	$V_{CC}=5.25V, V_I=2.7V$	D	—	—	20	μA
			Clear	—	—	40	
			Preset	—	—	40	
			Clock	—	—	20	
	I _{IL}	$V_{CC}=5.25V, V_I=0.4V$	D	—	—	-0.4	mA
			Clear	—	—	-0.8	
			Preset	—	—	-0.8	
			Clock	—	—	-0.4	
	I _I	$V_{CC}=5.25V, V_I=7V$	D	—	—	0.1	mA
			Clear	—	—	0.2	
			Preset	—	—	0.2	
			Clock	—	—	0.1	
Short-circuit output current	I_{OS}	$V_{CC}=5.25V$	-20	—	-100	mA	
Supply current	I_{CC}^{**}	$V_{CC}=5.25V$	—	4	8	mA	
Input clamp voltage	V_{IK}	$V_{CC}=4.75V, I_{IN}=-18mA$	—	—	-1.5	V	

* $V_{CC}=5V, T_a=25^\circ C$

** With all outputs open, I_{CC} is measured with the Q and \bar{Q} outputs high in turn. At the time of measurement, the clock input is grounded.

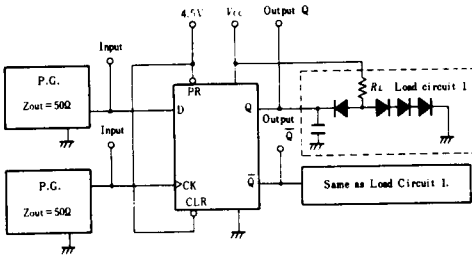
SWITCHING CHARACTERISTICS ($V_{CC}=5V$, $T_a=25^\circ C$)

Item	Symbol	Inputs	Outputs	Test Condition	min	typ	max	Unit
Maximum clock frequency	f_{max}			$C_L=15pF$, $R_L=2k\Omega$	25	33	—	MHz
Propagation delay time	t_{PLH}	Clock, Clear or Preset	Q, \bar{Q}		—	13	25	ns
	t_{PHL}			—	25	40	ns	

TESTING METHOD

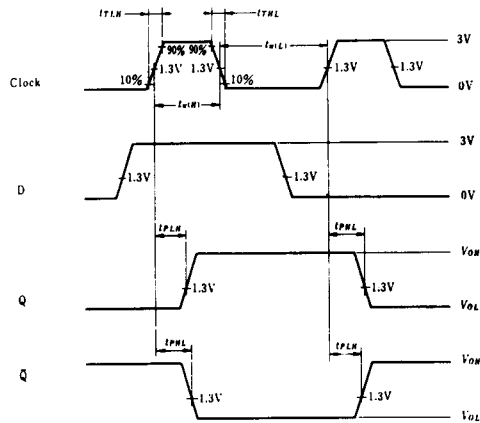
1) Test Circuit

1.1) f_{max} , t_{PLH} , t_{PHL} (Clock \rightarrow Q, \bar{Q})



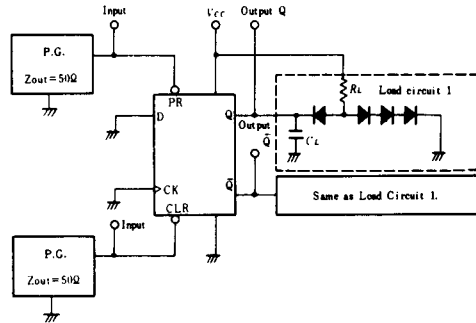
- Notes) 1. Test is put into the each flip-flop
 2. All diodes are 1S2074 \oplus .
 3. C_L includes probe and jig capacitance.

Waveform



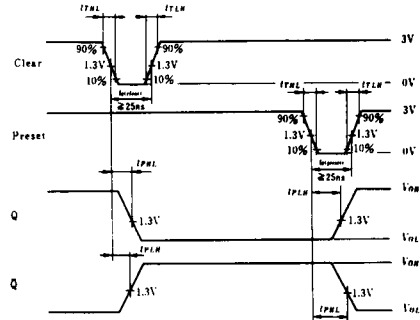
Note) Clock input pulse; $t_{TLH} \leq 15ns$,
 $t_{THL} \leq 6ns$, $PRR=1MHz$, duty
 cycle=30% and; for f_{max} ,
 $t_{TLH}=t_{THL} \leq 2.5ns$.

1.2) t_{PHL} , t_{PLH} (Clear or Preset \rightarrow Q, \bar{Q})



- Notes) 1. Test is put into the each flip-flop
 2. All diodes are 1S2074 \oplus .
 3. C_L includes probe and jig capacitance.

Waveform



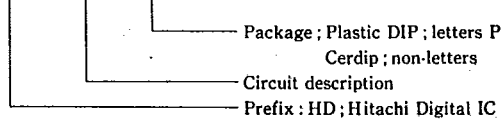
Note) Clear and preset input pulse;
 $t_{TLH} \leq 15ns$, $t_{THL} \leq 6ns$,
 $PRR=1MHz$

PACKAGING INFORMATION

T-90-20

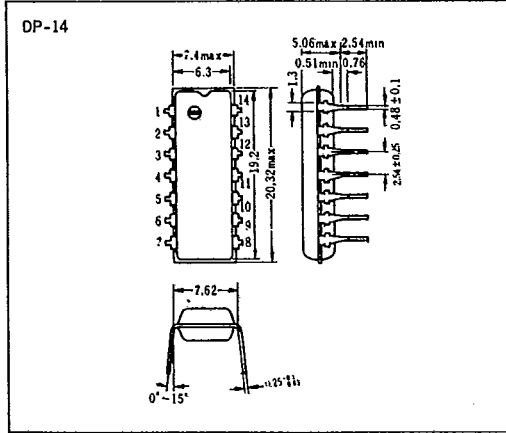
Factory orders for circuits described in this databook should include a three-part type number as explained in the following example.

HD 74LS00 P

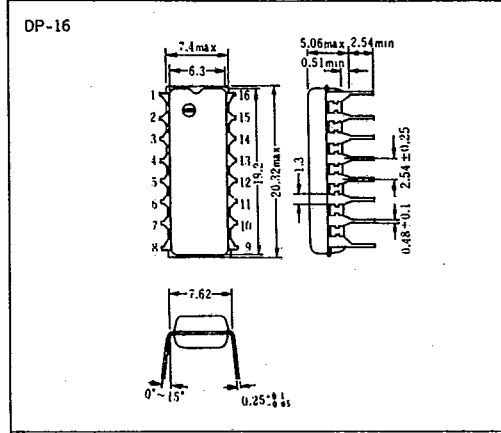


■ Plastic DIP

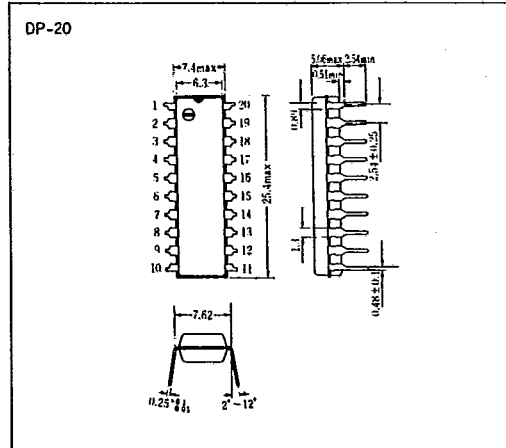
● 14 Pin



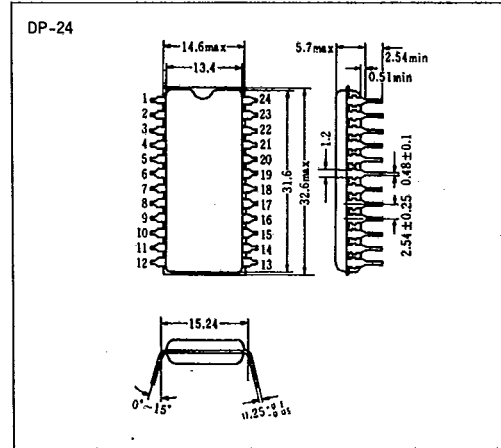
● 16 Pin



● 20 Pin



● 24 Pin

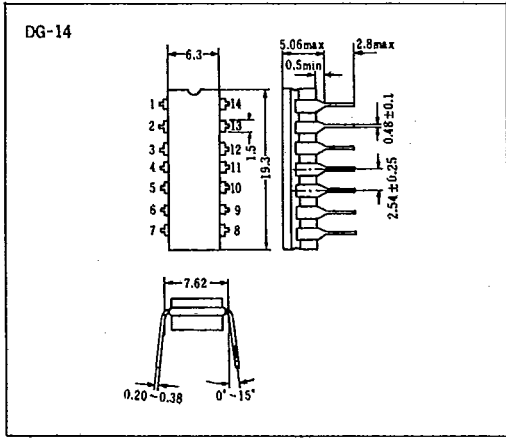


T-90-20

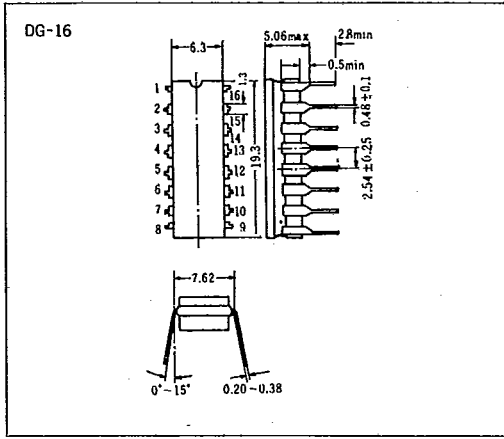
PACKAGING INFORMATIONS

■ Cerdip

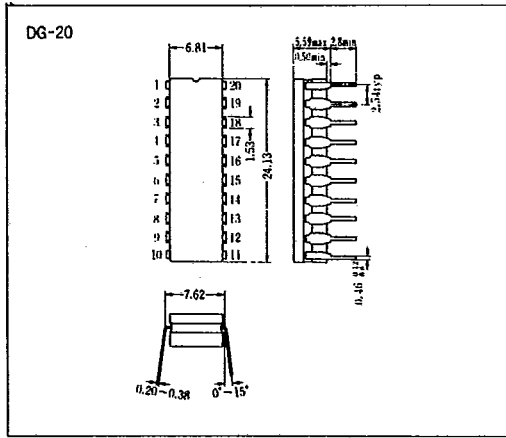
● 14 Pin



● 16 Pin



● 20 Pin



● 24 Pin

