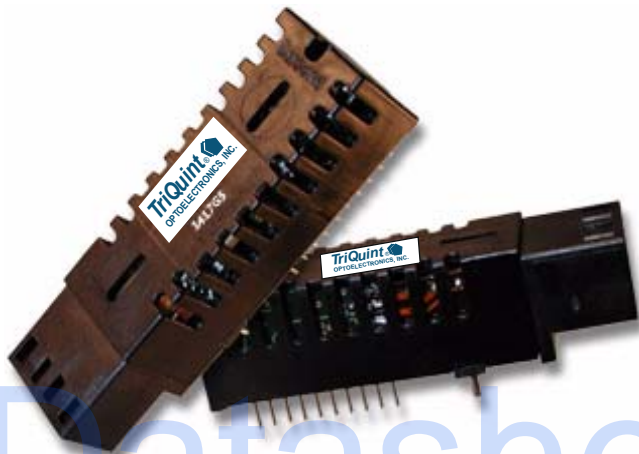


## NetLight<sup>®</sup> 1417G5 and 1417H5-Type ATM/SONET/SDH Transceivers with Clock Recovery



Available in a small form factor, RJ-45 size, plastic package, the 1417G5 and 1417H5-Type are high-performance, cost-effective transceivers for ATM/SONET/SDH applications at 155 Mb/s and 622 Mb/s.

### Features

- SONET/SDH Compliant (ITU-T G.957 Specifications)  
— IR-1/S1.1, S4.1
- Small form factor, RJ-45 size, multisourced 20-pin package
- Requires single 3.3 V power supply
- Clock recovery
- LC duplex receptacle
- Analog alarm outputs
- Uncooled 1300 nm laser transmitter with automatic output power control
- Transmitter disable input

- Wide dynamic range receiver with InGaAs PIN photodetector
- LVTTTL signal-detect output
- Low power dissipation
- Raised ECL (PECL) logic data and clock interfaces
- Operating case temperature range:  $-40^{\circ}\text{C}$  to  $+85^{\circ}\text{C}$
- TriQuint Optoelectronics Reliability and Qualification Program for built-in quality and reliability

### Description

The 1417G5 and 1417H5 transceivers are high-speed, cost-effective optical transceivers that are compliant with the International Telecommunication Union Telecommunication (ITU-T) G.957 specifications for use in ATM, SONET, and SDH applications. The 1417G5 operates at the OC-3/STM-1 rate of 155 Mb/s, and the 1417H5 operates at the OC-12/STM-4 rate of 622 Mb/s. The transceiver features TriQuint's high-reliability optics and is packaged in a narrow-width plastic housing with an LC duplex receptacle. This receptacle fits into an RJ-45 form factor outline. The 20-pin package and pinout conform to a multisource transceiver agreement.

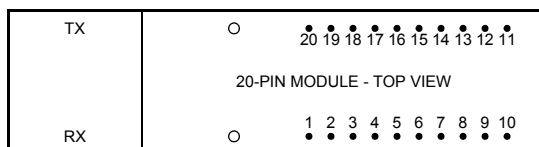
The transmitter features differential PECL logic level data inputs and a LVTTTL logic level disable input. The receiver features differential PECL logic level data and clock outputs and a LVTTTL logic level signal-detect output.

## Absolute Maximum Ratings

Stresses in excess of the absolute maximum ratings can cause permanent damage to the device. These are absolute stress ratings only. Functional operation of the device is not implied at these or any other conditions in excess of those given in the operations sections of the data sheet. Exposure to absolute maximum ratings for extended periods can adversely affect device reliability.

Parameter	Symbol	Min	Max	Unit
Supply Voltage	VCC	0	3.6	V
Operating Case Temperature Range	T <sub>C</sub>	-40	85	°C
Storage Case Temperature Range	T <sub>stg</sub>	-40	85	°C
Lead Soldering Temperature/Time	—	—	250/10	°C/s
Operating Wavelength Range	λ	1.1	1.6	nm

## Pin Information



1-967(F).b

Figure 1. 1417G5 and 1714H5 Transceivers, 20-Pin Configuration, Top View

Table 1. Transceiver Pin Descriptions

Pin Number	Symbol	Name/Description	Logic Family
<b>Receiver</b>			
MS	MS	<b>Mounting Studs.</b> The mounting studs are provided for transceiver mechanical attachment to the circuit board. They may also provide an optional connection of the transceiver to the equipment chassis ground.	NA
1	Photodetector Bias	<b>Photodetector Bias.</b> This lead supplies bias for the PIN photodetector diode.	NA
2	VEER	<b>Receiver Signal Ground.</b>	NA
3	VEER	<b>Receiver Signal Ground.</b>	NA
4	CLK-	<b>Received Recovered Clock Out.</b> The rising edge occurs at the rising edge of the received data output. The falling edge occurs in the middle of the received data bit period.	PECL
5	CLK+	<b>Received Recovered Clock Out.</b> The falling edge occurs at the rising edge of the received data output. The rising edge occurs in the middle of the received data bit period.	PECL
6	VEER	<b>Receiver Signal Ground.</b>	NA
7	VCCR	<b>Receiver Power Supply.</b>	NA
8	SD	<b>Signal Detect.</b> Normal operation: logic one output. Fault condition: logic zero output.	LVTTTL
9	RD-	<b>Received DATA Out.</b> No internal terminations will be provided.	PECL
10	RD+	<b>Received DATA Out.</b> No internal terminations will be provided.	PECL

## Pin Information (continued)

Table 1. Transceiver Pin Descriptions (continued)

Pin Number	Symbol	Name/Description	Logic Family
<b>Transmitter</b>			
11	VCCT	<b>Transmitter Power Supply.</b>	NA
12	VEET	<b>Transmitter Signal Ground.</b>	NA
13	TDIS	<b>Transmitter Disable.</b>	LVTTL
14	TD+	<b>Transmitter Data In.</b>	PECL
15	TD-	<b>Transmitter Data In Bar.</b>	PECL
16	VEET	<b>Transmitter Signal Ground.</b>	NA
17	BMON(-)	<b>Laser Diode Bias Current Monitor—Negative End.</b> The laser bias current is accessible as a dc-voltage by measuring the voltage developed across pins 17 and 18.	NA
18	BMON(+)	<b>Laser Diode Bias Current Monitor—Positive End.</b> See pin 17 description.	NA
19	PMON(-)	<b>Laser Diode Optical Power Monitor—Negative End.</b> The back-facet diode monitor current is accessible as a dc-voltage by measuring the voltage developed across pins 19 and 20.	NA
20	PMON(+)	<b>Laser Diode Optical Power Monitor—Positive End.</b> See pin 19 description.	NA

## Electrostatic Discharge

**Caution:** This device is susceptible to damage as a result of electrostatic discharge (ESD). Take proper precautions during both handling and testing. Follow EIA® standard EIA-625.

Although protection circuitry is designed into the device, take proper precautions to avoid exposure to ESD. TriQuint employs a human-body model (HBM) for ESD-susceptibility testing and protection-design evaluation. ESD voltage thresholds are dependent on the critical parameters used to define the model. A standard HBM (resistance = 1.5 k $\Omega$ , capacitance = 100 pF) is widely used and, therefore, can be used for comparison purposes. The HBM ESD threshold established for the 1417G5 and 1417H5 transceivers is  $\pm 1000$  V.

## Application Information

The 1417 receiver section is a highly sensitive fiber-optic receiver. Although the data outputs are digital logic levels (PECL), the device should be thought of as an analog component. When laying out system application boards, the 1417 transceiver should receive the same type of consideration one would give to a sensitive analog component.

## Printed-Wiring Board Layout Considerations

A fiber-optic receiver employs a very high-gain, wide-bandwidth transimpedance amplifier. This amplifier detects and amplifies signals that are only tens of nA in amplitude when the receiver is operating near its sensitivity limit. Any unwanted signal currents that couple into the receiver circuitry cause a decrease in the receiver's sensitivity and can also degrade the performance of the receiver's signal detect (SD) circuit. To minimize the coupling of unwanted noise into the receiver, careful attention must be given to the printed-wiring board.

At a minimum, a double-sided printed-wiring board (PWB) with a large component-side ground plane beneath the transceiver must be used. In applications that include many other high-speed devices, a multi-layer PWB is highly recommended. This permits the placement of power and ground on separate layers, which allows them to be isolated from the signal lines.

Multilayer construction also permits the routing of sensitive signal traces away from high-level, high-speed signal lines. To minimize the possibility of coupling noise into the receiver section, high-level, high-speed signals such as transmitter inputs and clock lines should be routed as far away as possible from the receiver pins.

## Application Information (continued)

Noise that couples into the receiver through the power supply pins can also degrade performance. It is recommended that the pi filter, shown in Figure 2, be used for both the transmitter and receiver power supplies.

## Data Clock and Signal Detect Outputs

The data clock and signal detect outputs of the 1417 transceiver are driven by open-emitter NPN transistors, which have an output impedance of approximately 7  $\Omega$ . Each output can provide approximately 50 mA maximum current to a 50  $\Omega$  load terminated to  $V_{CC} - 2.0$  V.

Due to the high switching speeds of ECL outputs, transmission line design must be used to interconnect components. To ensure optimum signal fidelity, both data outputs (RD+/RD-) and clock outputs (CLK+/CLK-) should be terminated identically. The signal lines connecting the data and clock outputs to the next device should be equal in length and have matched impedances. Controlled impedance stripline or microstrip construction must be used to preserve the quality of the signal into the next component and to minimize reflections back into the receiver, which could degrade its performance. Excessive ringing due to reflections caused by improperly terminated signal lines makes it difficult for the component receiving these signals to

decipher the proper logic levels and can cause transitions to occur where none were intended. Also, by minimizing high-frequency ringing, possible EMI problems can be avoided.

The signal-detect output is LVTTTL logic. A logic low at this output indicates that the optical signal into the receiver has been interrupted or that the light level has fallen below the minimum signal detect threshold. This output should not be used as an error rate indicator, since its switching threshold is determined only by the magnitude of the incoming optical signal.

## Transceiver Processing

When the process plug is placed in the transceiver's optical port, the transceiver and plug can withstand normal wave soldering and aqueous spray cleaning processes. However, the transceiver is not hermetic, and should not be subjected to immersion in cleaning solvents. The transceiver case should not be exposed to temperatures in excess of 125 °C. The transceiver pins can be wave soldered at 250 °C for up to 10 seconds. The process plug should only be used once. After removing the process plug from the transceiver, it must not be used again as a process plug; however, if it has not been contaminated, it can be reused as a dust cover.

## Transceiver Optical and Electrical Characteristics

**Table 2. Transmitter Optical and Electrical Characteristics** ( $T_c = -40$  °C to +85 °C;  $V_{CC} = 3.135$  V to 3.465 V)

Parameter	Symbol	Min	Max	Unit
Average Optical Output Power (EOL)	P <sub>O</sub>	-15.0	-8.0	dBm
Optical Wavelength:	$\lambda_C$			
STM-1 (4 nm spectral width, maximum)		1261	1360	nm
STM-4 (2.5 nm spectral width, maximum)		1274	1356	nm
Dynamic Extinction Ratio	EXT	8.2	—	dB
Power Supply Current	ICCT	—	150	mA
Input Data Voltage:				
Low	V <sub>IL</sub>	$V_{CC} - 1.81$	$V_{CC} - 1.62$	V
High	V <sub>IH</sub>	$V_{CC} - 1.025$	$V_{CC} - 0.88$	V
Transmit Disable Voltage	V <sub>D</sub>	$V_{CC} - 1.3$	$V_{CC}$	V
Transmit Enable Voltage	V <sub>EN</sub>	V <sub>EE</sub>	$V_{EE} + 0.8$	V
Laser Bias Voltage	V <sub>BIAS</sub>	0	0.70	V
Laser Back-facet Monitor Voltage	V <sub>BF</sub>	0.01	0.20	V

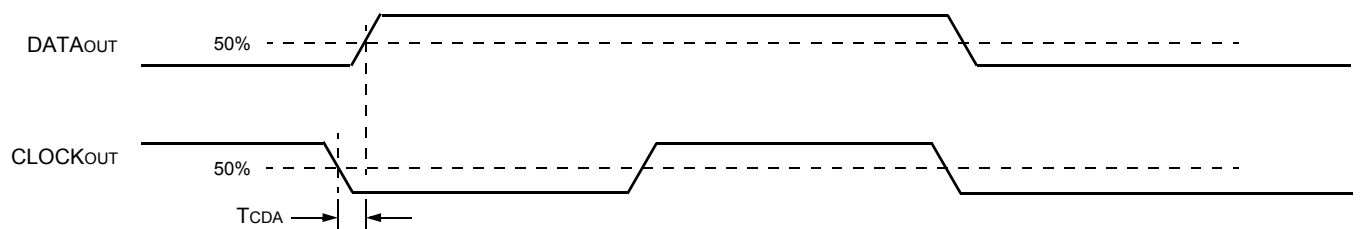
Transceiver Optical and Electrical Characteristics (continued)

Table 3. Receiver Optical and Electrical Characteristics (Tc = -40 °C to +85 °C; Vcc = 3.135 V to 3.465 V)

Parameter	Symbol	Min	Max	Unit
Average Sensitivity (STM-1/STM-4)*	PI	—	-28	dBm
Maximum Input Power*	P <sub>MAX</sub>	-8	—	dBm
Link Status Switching Threshold: Decreasing Light (STM-1/STM-4) Increasing Light (STM-1/STM-4)	LSTD LSTI	-45 -45	-29.0 -28.5	dBm dBm
Link Status Hysteresis	HYS	0.5	—	dB
Power Supply Current	I <sub>CCR</sub>	—	200	mA
Output Data Voltage/Clock Voltage: Low High	V <sub>OL</sub> V <sub>OH</sub>	V <sub>CC</sub> - 1.81 V <sub>CC</sub> - 1.025	V <sub>CC</sub> - 1.62 V <sub>CC</sub> - 0.88	V V
Output Data/Clock Rise and Fall Times†	t <sub>r</sub> /t <sub>f</sub>	300	500	ps
Signal Detect Output Voltage: Low High	V <sub>OL</sub> V <sub>OH</sub>	0.0 2.4	0.8 V <sub>CC</sub>	V V
Clock Duty Cycle	DC	45	55	%
Output Clock Random Jitter	J <sub>c</sub>	—	0.01	UI
Output Clock Random Jitter Peaking	J <sub>p</sub>	—	0.1	dB
Clock/Data Alignment: (See Figure 2.) STM-1 STM-4	TCDA	-800 -200	800 200	ns ns
Jitter Tolerance/Jitter Transfer	Telcordia Technologies™ GR-253-Core and ITU-TG.958 Compliant			

\* For 1 x 10<sup>-10</sup> BER with an optical input using 2<sup>23</sup> - 1 PRBS.

† Typical rise and fall time is 360 ps.



1-725(F).b

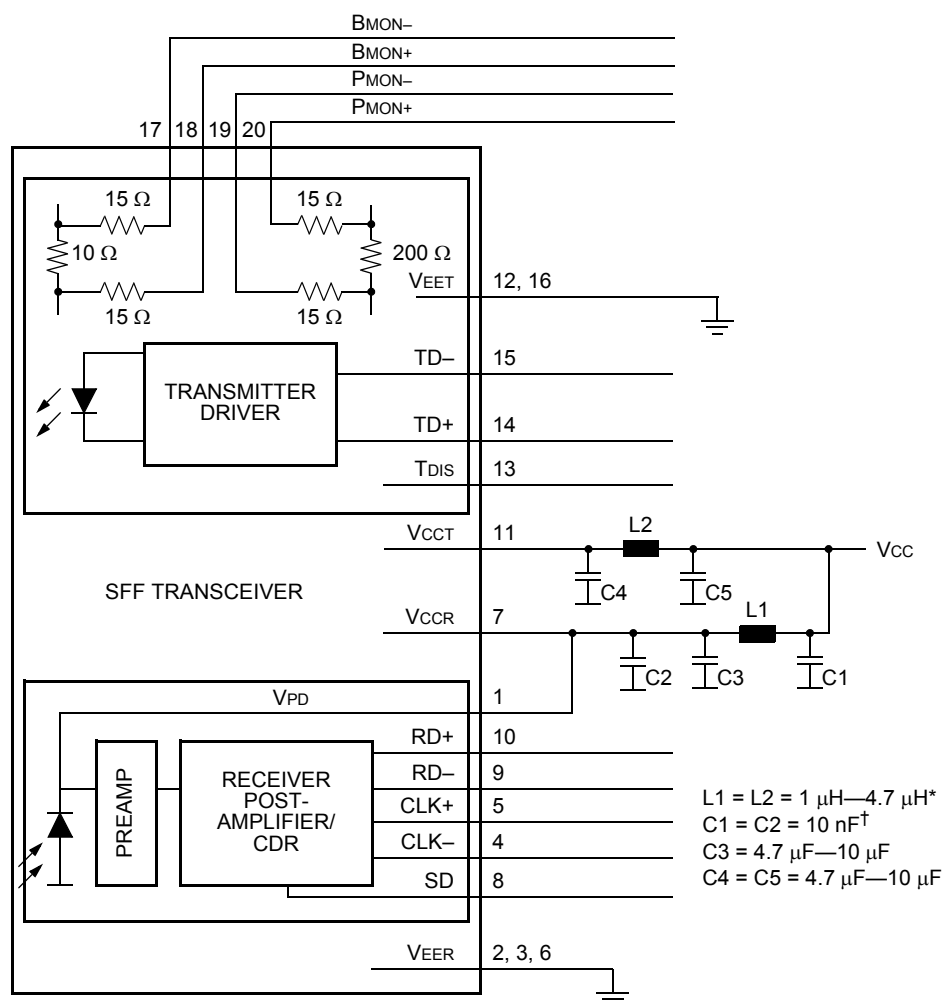
Figure 2. Clock/Data Alignment

## Qualification and Reliability

To help ensure high product reliability and customer satisfaction, TriQuint is committed to an intensive quality program that starts in the design phase and proceeds through the manufacturing process. Optoelectronic modules are qualified to TriQuint's internal standards using MIL-STD-883 test methods and procedures and using sampling techniques consistent with *Telcordia Technologies* requirements. The 1417 transceiver is required to pass an extensive and rigorous set of qualification tests.

This qualification program fully meets the intent of *Telcordia Technologies* reliability practices TR-NWT-000468 and TA-TSY-000983 requirements. In addition, the design, development, and manufacturing facilities of TriQuint Optoelectronics have been certified to be in full compliance with the latest ISO<sup>®</sup> 9001 quality system standards.

## Electrical Schematic



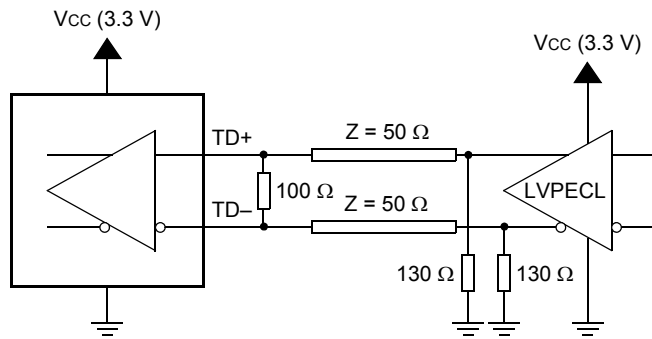
\* Ferrite beads can be used as an option.

† For all capacitors, MLC caps are recommended.

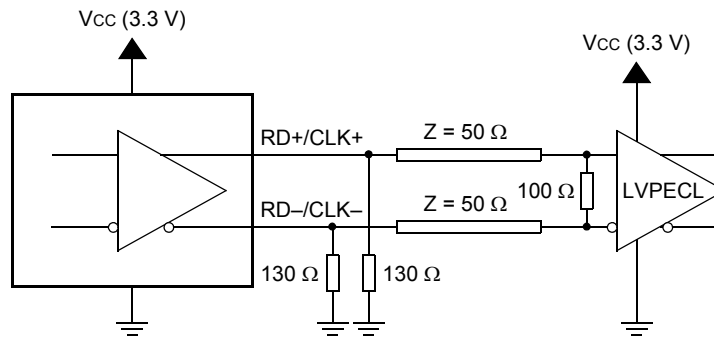
1-968(F).b

Figure 3. Power Supply Filtering for the Small Form Factor Transceiver

## Application Schematics



**A. Transmitter Interface (LVPECL to LVPECL)**



**B. Receiver Interface (LVPECL to LVPECL)**

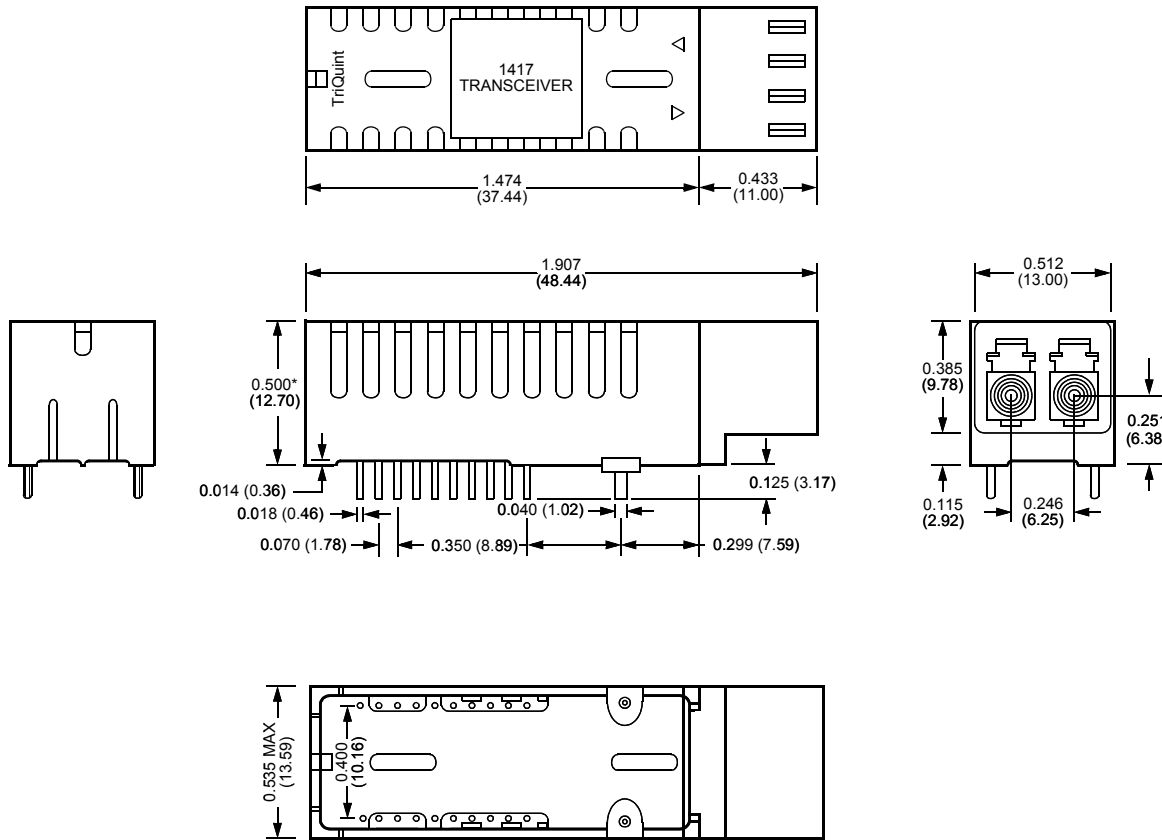
**Figure 4. 3.3 V Transceiver Interface with 3.3 V ICs**

1-970(F).b

**Outline Diagrams**

**Package Outline**

Dimensions are in inches and (millimeters).



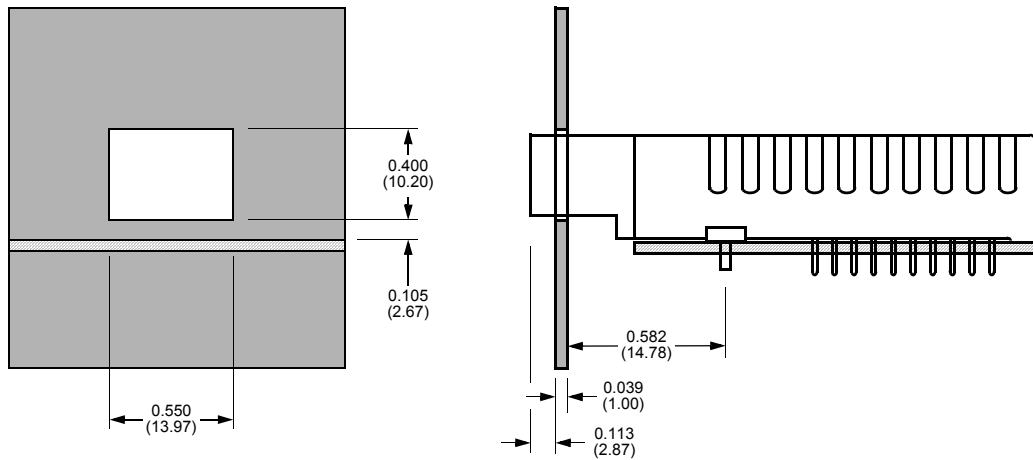
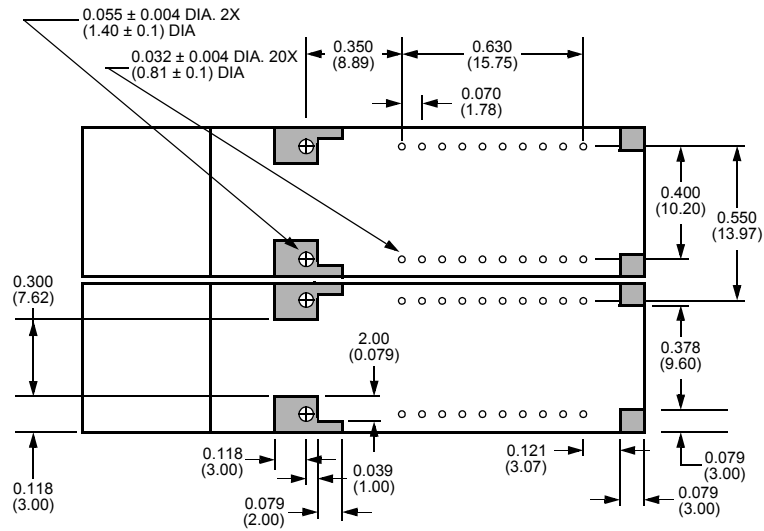
\* Dimension does not comply with multisource agreement.

1-1086(F)



Outline Diagrams (continued)

Printed-Wiring Board Layout\* and Recommended Panel Opening



\* Per multisource agreement.

1-1088(F)

## Laser Safety Information

### Class I Laser Product

FDA/CDRH Class I laser product. All versions of the transceiver are Class I laser products per CDRH, 21 CFR 1040 Laser Safety requirements. All versions are Class I laser products per IEC<sup>®</sup> 60825-1:1993. The transceiver has been certified with the FDA under accession number 8720009.

**CAUTION: Use of controls, adjustments, and procedures other than those specified herein may result in hazardous laser radiation exposure.**

This product complies with 21 CFR 1040.10 and 1040.11.

Wavelength = 1.3  $\mu$ m

Maximum power = 0.2 mW

Because of size constraints, laser safety labeling (including an FDA Class IIIb label) is not affixed to the module but is attached to the outside of the shipping carton.

Product is not shipped with power supply.

#### NOTICE

**Unterminated optical connectors may emit laser radiation.**

**Do not view with optical instruments.**

## Ordering Information

**Table 4. Ordering Information**

Description	Device Code	Comcode
2 x 10 Single-mode Transceiver for OC-3 /STM-1 (155 Mb/s) with Clock Recovery	1417G5A	108416678
2 x 10 Single-mode Transceiver for OC-12 /STM-4 (622 Mb/s) with Clock Recovery	1417H5A	108416686

EIA is a registered trademark of Electronic Industries Association.

Telcordia Technologies is a trademark of Telcordia Technologies Inc.

IEC is a registered trademark of The International Electrotechnical Commission.

ISO is a registered trademark of The International Organization for Standardization.

NetLight is a registered trademark of TriQuint Optoelectronics, Inc.

### Additional Information

For the latest specifications, additional product information, worldwide sales and distribution locations, and information about TriQuint:

**Web:** [www.triquint.com](http://www.triquint.com)

**Tel:** (503) 615-9000

**E-mail:** [info\\_opto@tqs.com](mailto:info_opto@tqs.com)

**Fax:** (503) 615-8902

For technical questions and additional information on specific applications:

**E-mail:** [info\\_opto@tqs.com](mailto:info_opto@tqs.com)

The information provided herein is believed to be reliable; TriQuint assumes no liability for inaccuracies or omissions. TriQuint assumes no responsibility for the use of this information, and all such information shall be entirely at the user's own risk. Prices and specifications are subject to change without notice. No patent rights or licenses to any of the circuits described herein are implied or granted to any third party.

TriQuint does not authorize or warranty any TriQuint product for use in life-support devices and/or systems.