

GALLO 1.0

PV BUILD

2006.02.08

DatasetLive

DATE	CHANGE NO.	REV

DRAWER	EE	DATE	POWER	DATE	INVENTEC			
DESIGN					TITLE GALLO 1.0			
CHECK								
RESPONSIBLE								
SIZE =	3			VER :	SIZE	CODE	DOC. NUMBER	REV
FILE NAME :	XXXX-XXXXXX-XX				A3	CS	Model No	A01
P/N	XXXXXXXXXXXX				SHEET	1	OF	58

TABLE OF CONTENTS

PAGE

- 5- DC& BATTERY CHARGER
- 6- SELECT & BATTERY CONN
- 7- SYSTEM POWER(3V/5V)
- 8- SYSTEM POWER(V2.5S/V1.5A)
- 9- SYSTEM POWER(VCCP/VGAVCC)
- 10- SYSTEM POWER(V1.8/V0.9S)
- 11- CPU POWER(VCC_CORE)
- 12- DDR TERMINATION VOLTAGE
- 13- POWER(SLEEP)
- 14- POWER(SEQUENCE)
- 15- CLOCK_GENERATOR
- 16- YOHNA-1
- 17- YOHNA-2
- 18- YOHNA-3
- 19- YOHNA-4
- 20- THERMAL&FAN CONTROLLER
- 21- CALISTOGA-1
- 22- CALISTOGA-2

PAGE

- 23- CALISTOGA-3
- 24- CALISTOGA-4
- 25- CALISTOGA-5
- 26- DDR2-DIMM0
- 27- DDR2-DIMM1
- 28- DDR2-DAMPING
- 29- CRT & SVEDIO CONN
- 30- LCD CONN
- 31- ICH7-1
- 32- ICH7-2
- 33- ICH7-3
- 34- ICH7-4
- 35- ICH7-5
- 36- KBC
- 37- SPI/HDD PROTECTION
- 38- INT.KBC/POINT DEVICES
- 39- SUPER I/O
- 40- AC97/AZALIA CODEC

PAGE

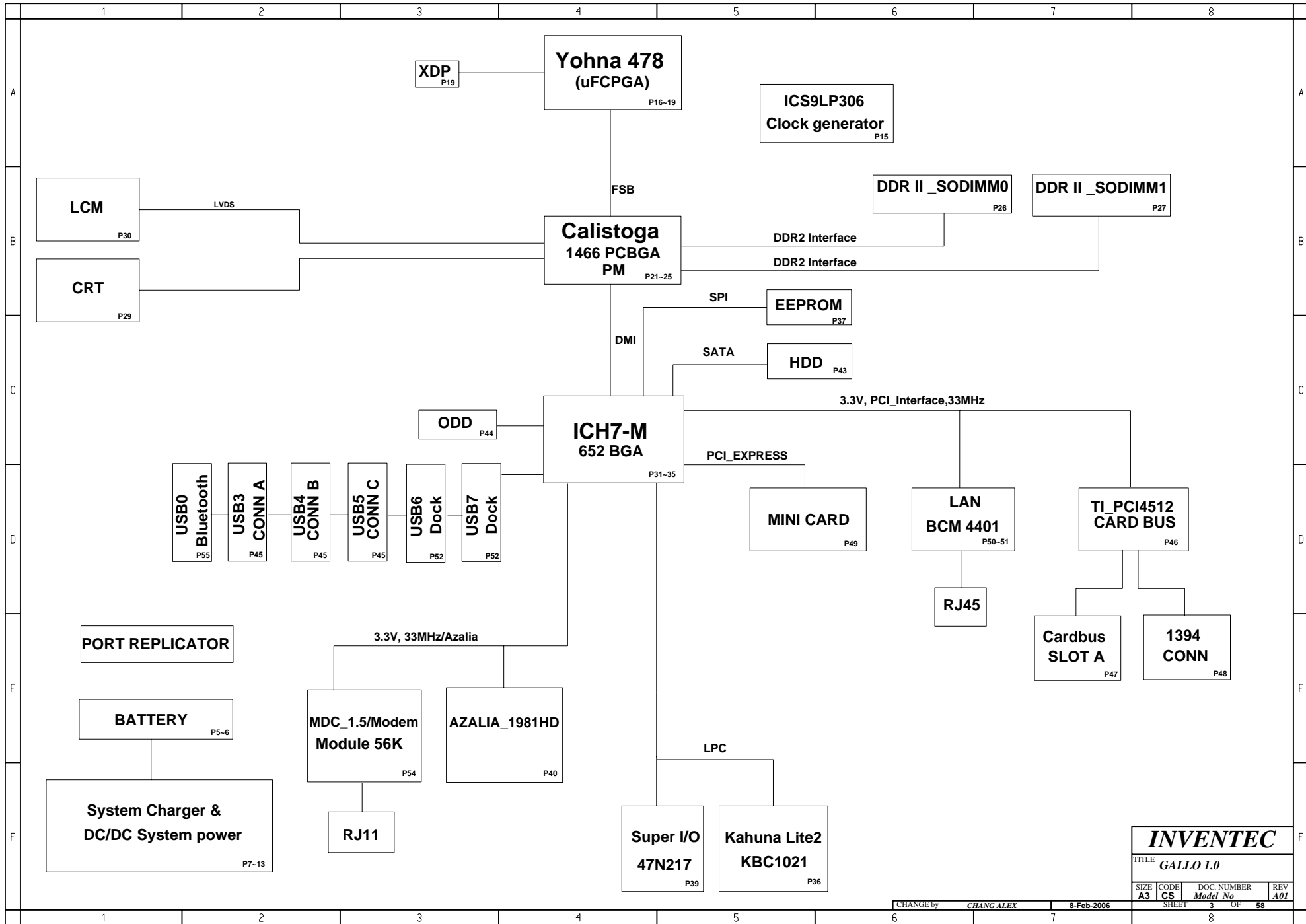
- 41- EQ&MIC JACK
- 42- AUDIO AMP&HP JACK
- 43- HDD CONN
- 44- ODD CONN
- 45- USB CONN
- 46- CARDBUS CONTROLL
- 47- PC CARD SLOT
- 48- 1394 CONN
- 49- MINICARD CONN
- 50- LAN INTERFACE-1
- 51- LAN RJ45 CONN
- 52- DOCKING CONN
- 53- SCREW
- 54- MDC1.5 CONN
- 55- BLUETOOTH
- 56- BUTTON & SWITCH & LED
- 57- LED/SWITCH CONN
- 58- LED/SWITCH BOTTON BOARD

INVENTEC

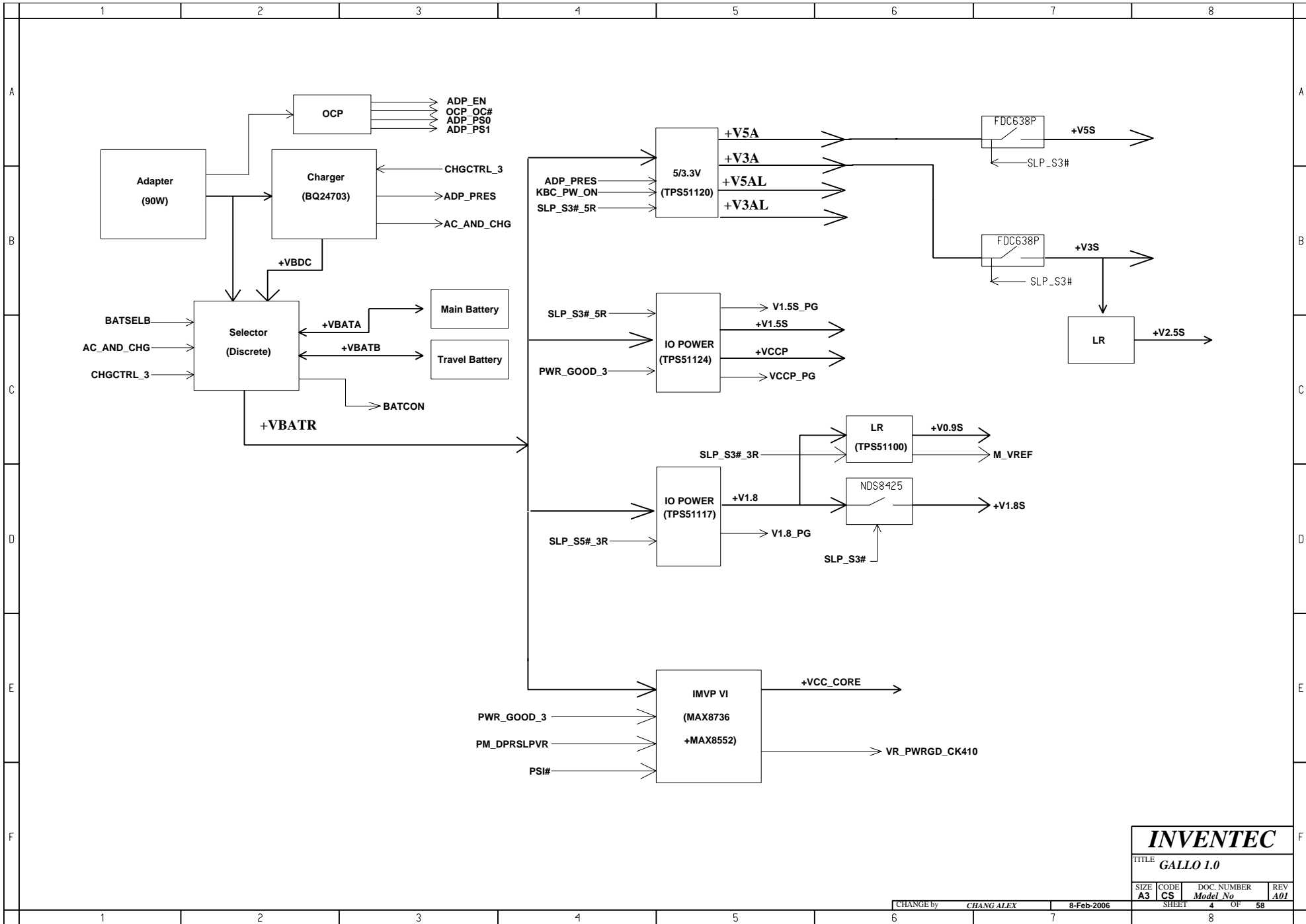
TITLE *GALLO 1.0*

SIZE A3	CODE CS	DOC. NUMBER <i>Model No</i>	REV A01
SHEET		2	OF 58

CHANGE by *CHANG ALEX* 8-Feb-2006



INVENTEC			
TITLE GALLO 1.0			
SIZE A3	CODE CS	DOC. NUMBER <i>Model No</i>	REV A01
CHANGE by <i>CHANG ALEX</i>		8-Feb-2006	SHEET 3 OF 58



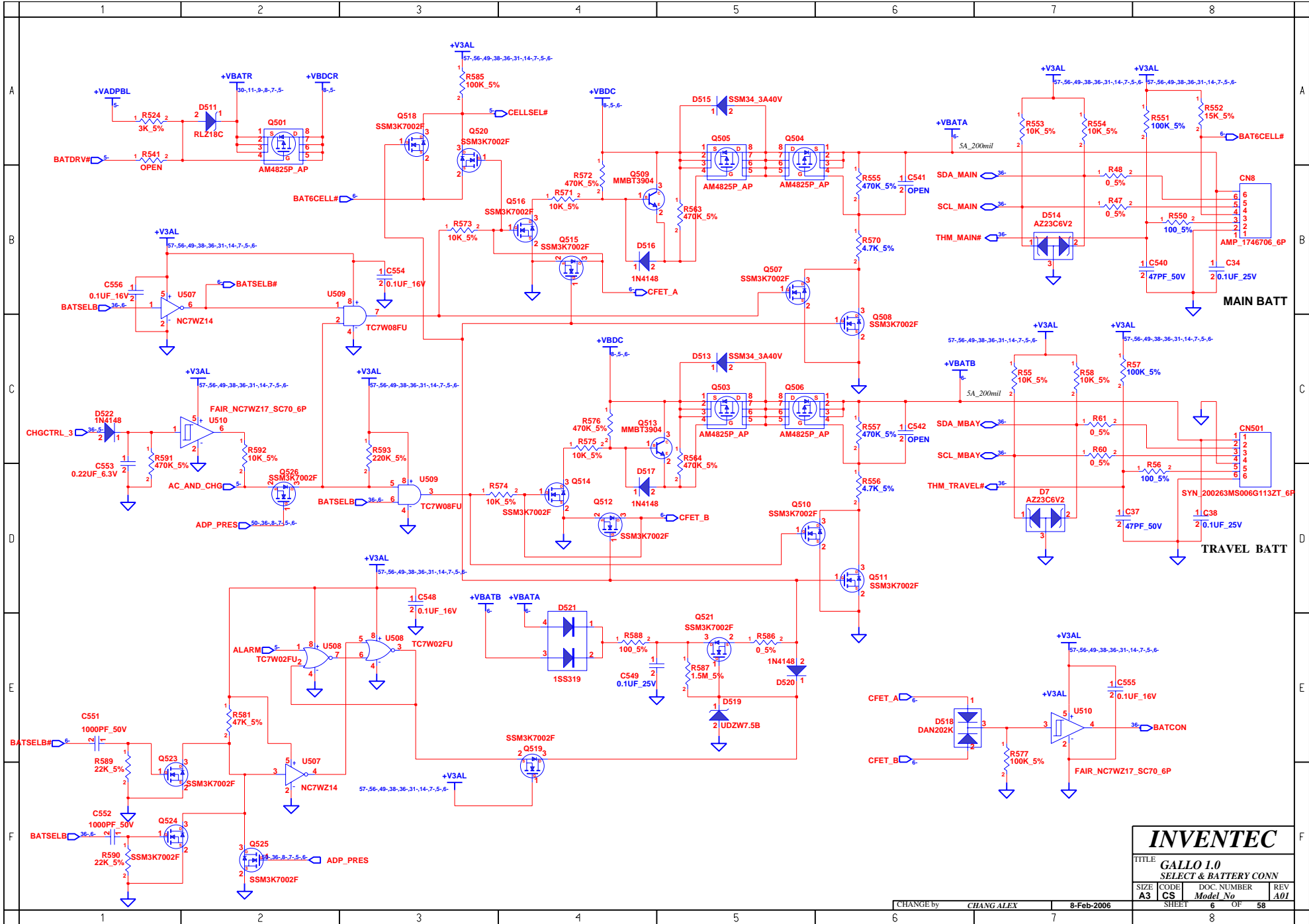
INVENTEC

TITLE GALLO 1.0

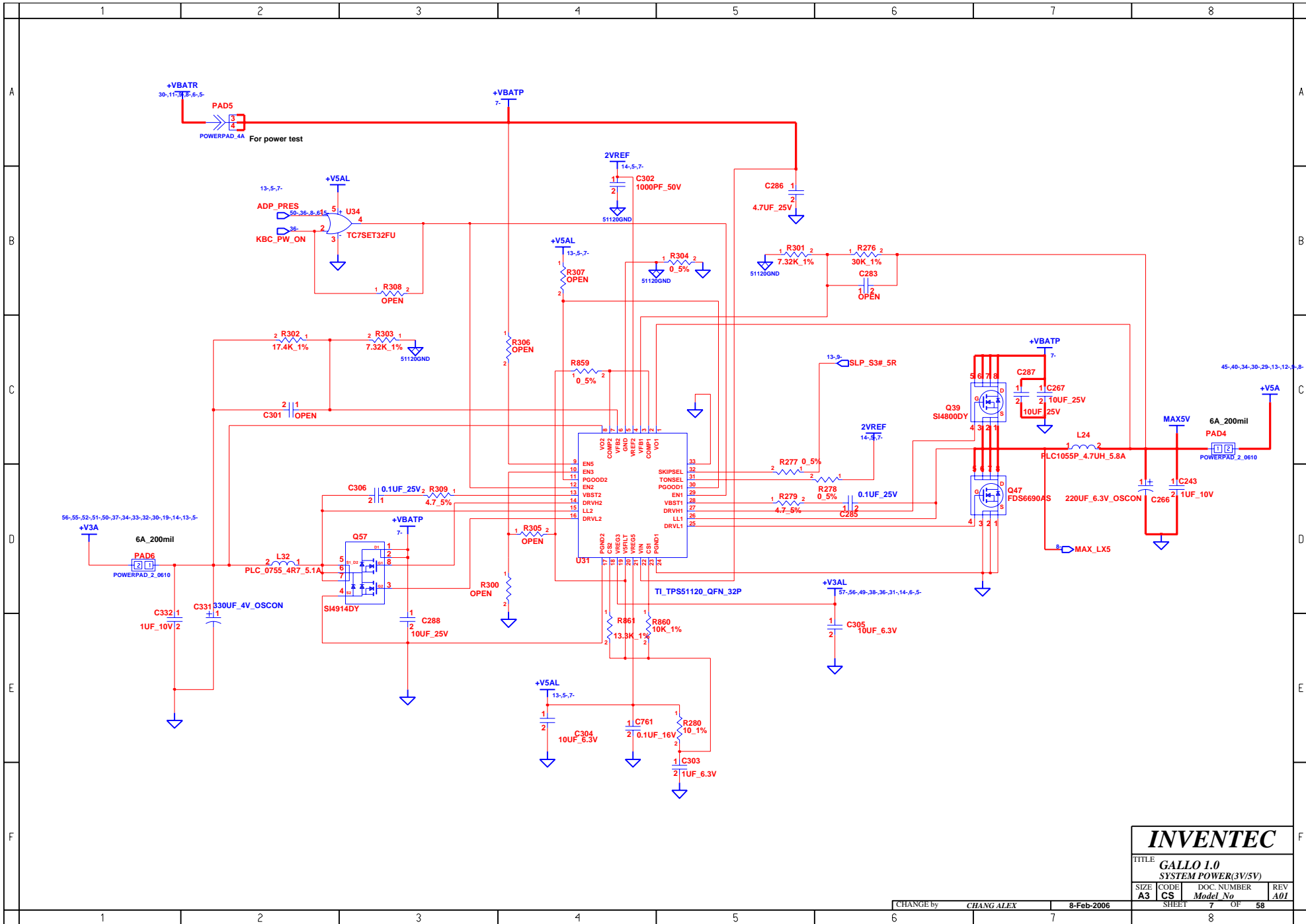
SIZE	CODE	DOC. NUMBER	REV
A3	CS	Model No	A01

CHANGE by CHANG ALEX 8-Feb-2006

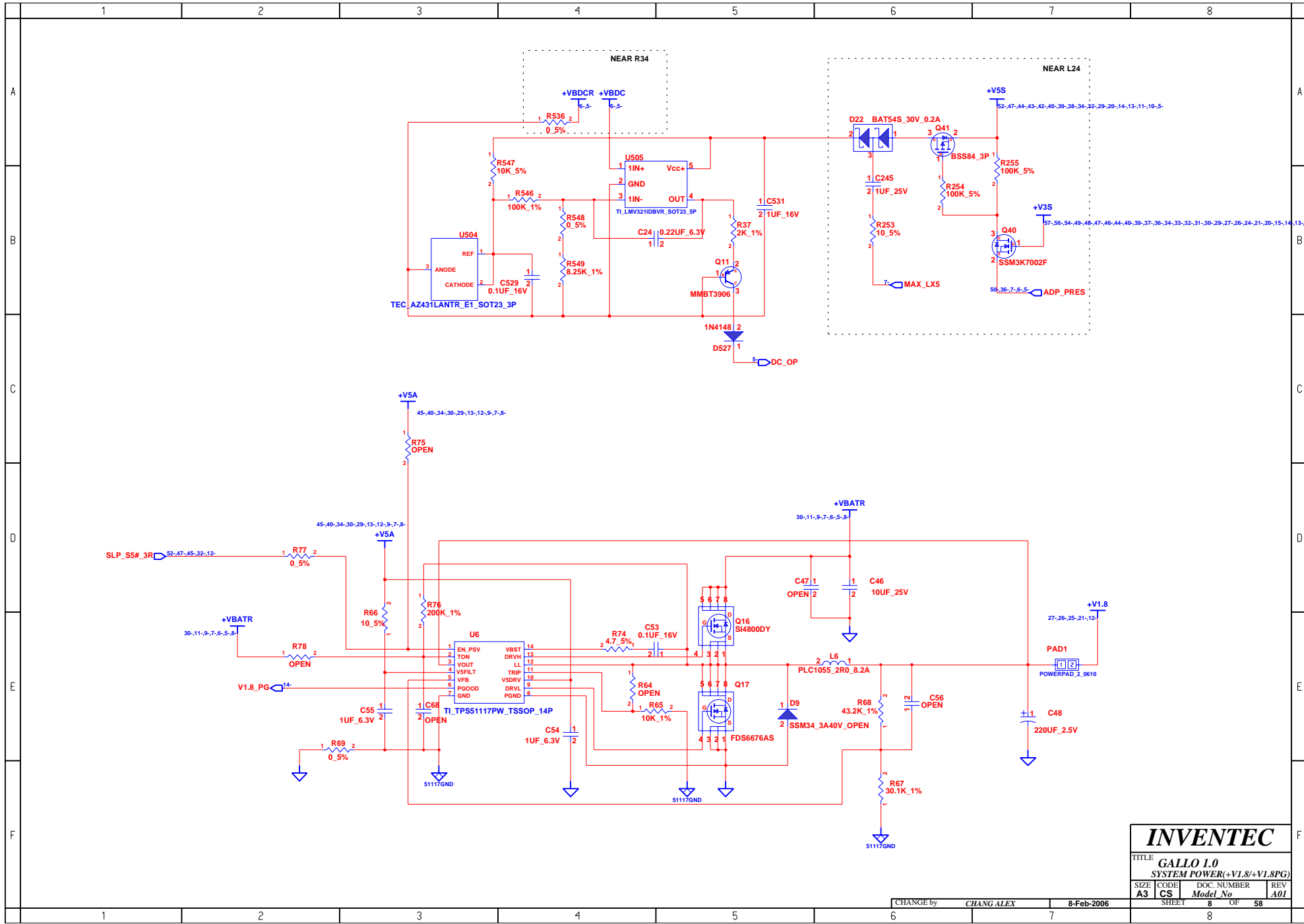
SHEET 4 OF 58



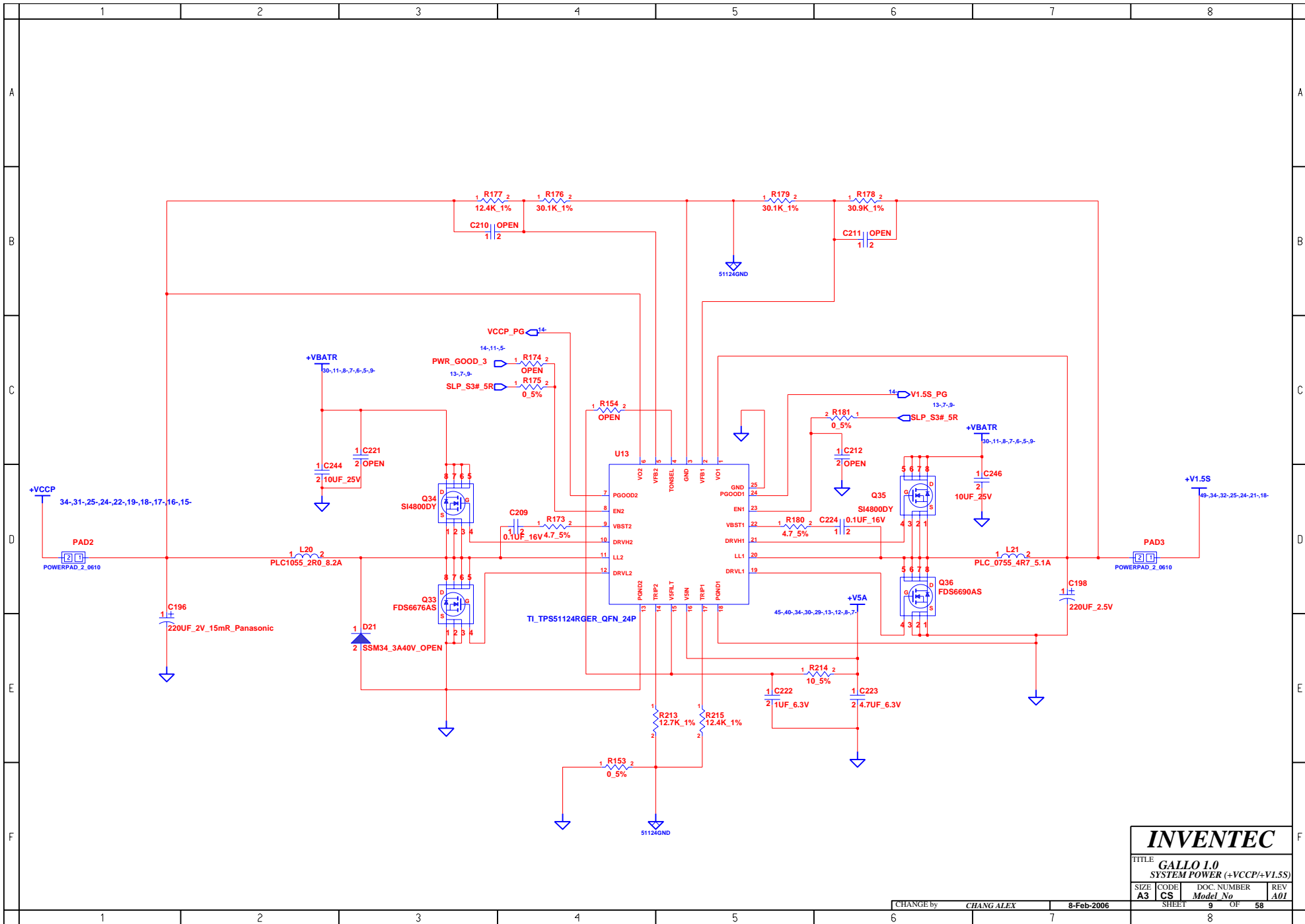
INVENTEC			
TITLE GALLO I.0 SELECT & BATTERY CONN			
SIZE A3	CODE CS	DOC. NUMBER Model No	REV A01
CHANGE by CHANG ALEX		8-Feb-2006	
SHEET 6		OF 58	



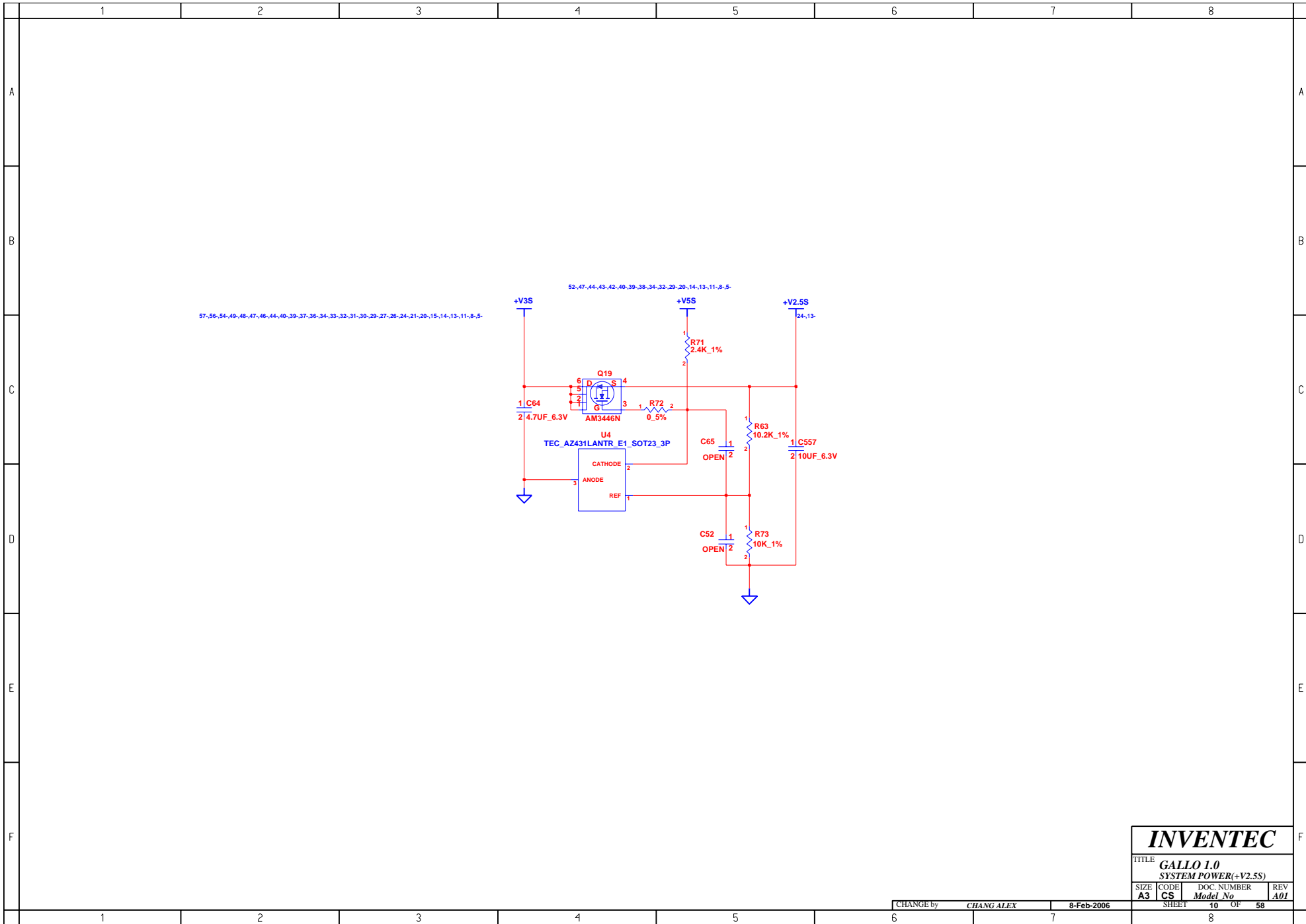
INVENTEC			
TITLE GALLO I.0 SYSTEM POWER(3V/5V)			
SIZE A3	CODE CS	DOC. NUMBER Model No.	REV A01
CHANGE by CHANG ALEX		DATE 8-Feb-2006	
SHEET 7		OF 58	



INVENTEC			
TITLE GALLO I.0			
SYSTEM POWER(+V1.8/+V1.8PG)			
SIZE A3	CODE CS	DOC. NUMBER Model No	REV A01
CHANGE by CHANG ALEX		8-Feb-2006	SHEET 8 OF 58



INVENTEC			
TITLE GALLO 1.0			
SYSTEM POWER (+VCCP/+V1.5S)			
SIZE	CODE	DOC. NUMBER	REV
A3	CS	Model No	A01
CHANGE by		8-Feb-2006	SHEET 9 OF 58
1	2	3	8

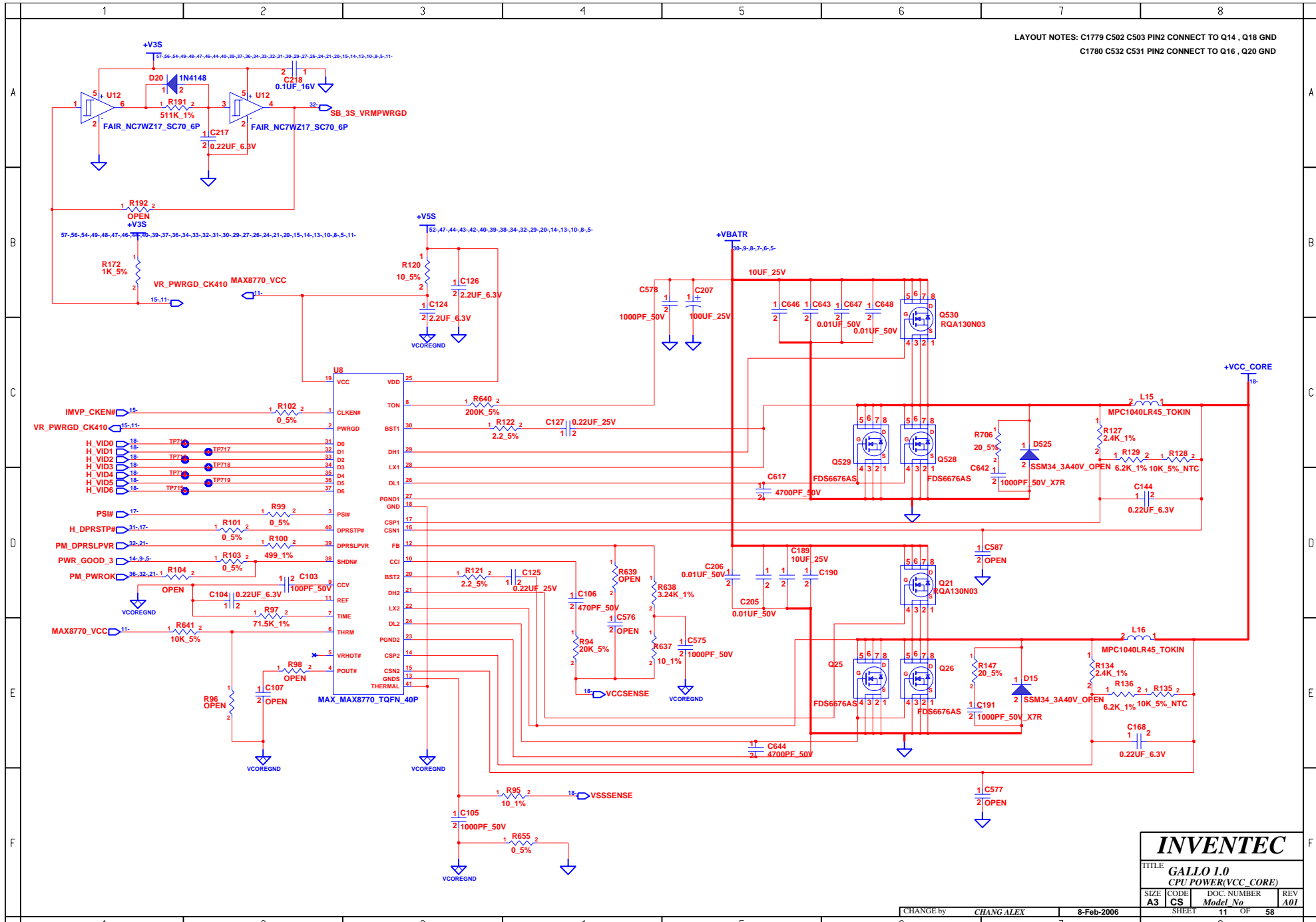


INVENTEC

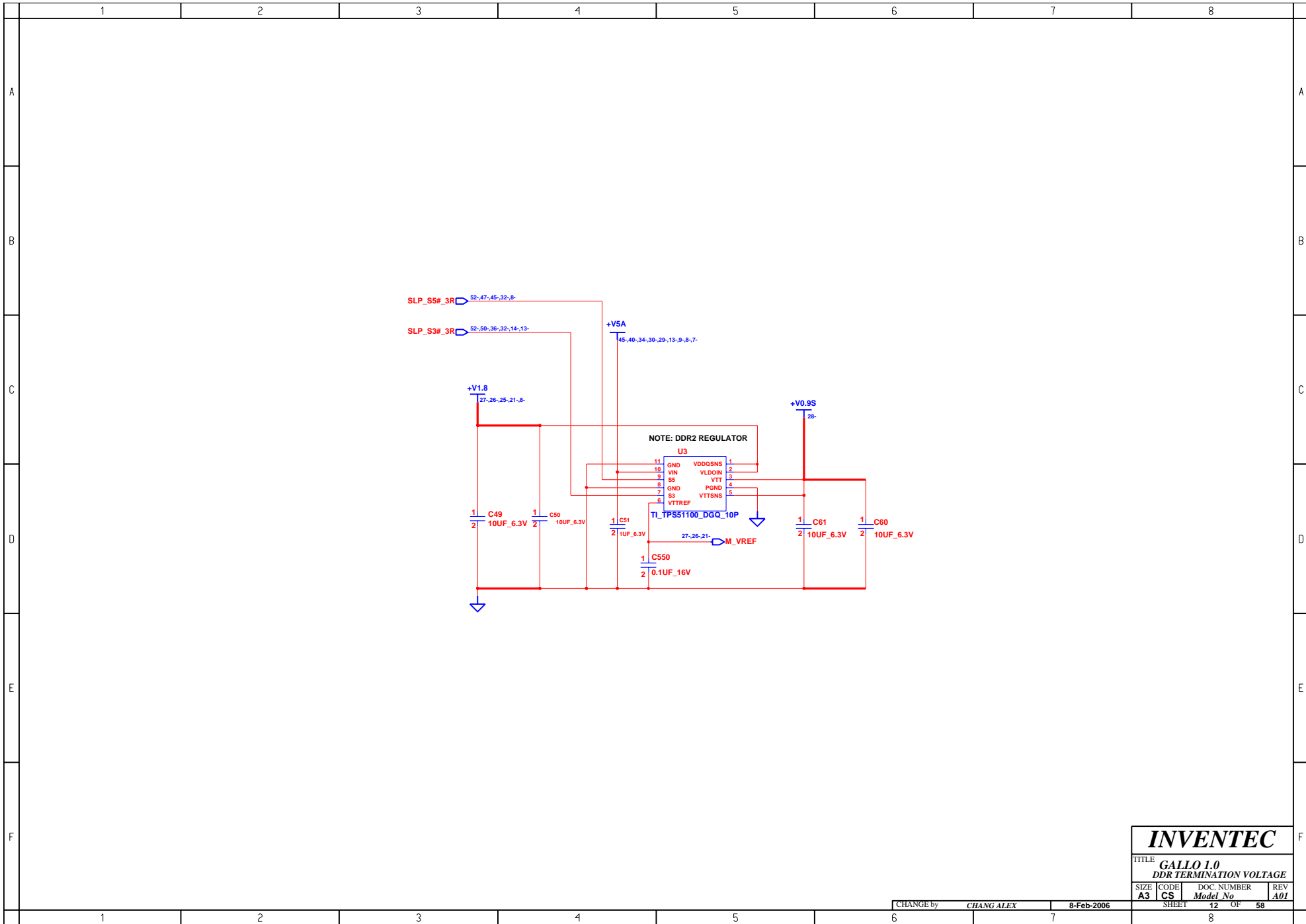
TITLE **GALLO 1.0**
SYSTEM POWER(+V2.5S)

SIZE A3	CODE CS	DOC. NUMBER <i>Model No</i>	REV A01
CHANGE by CHANG ALEX		8-Feb-2006	SHEET 10 OF 58

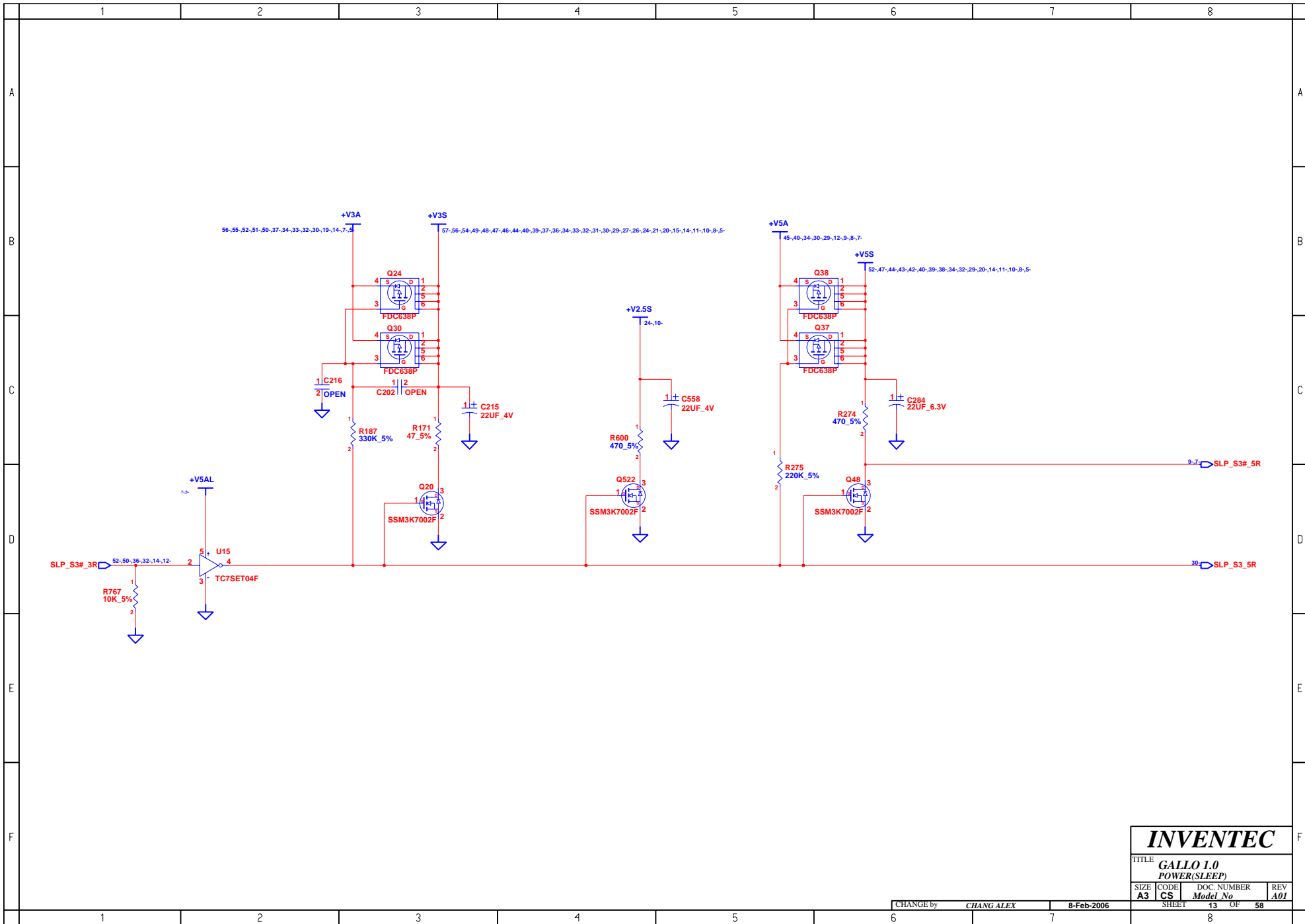
LAYOUT NOTES: C1779 C502 C503 PIN2 CONNECT TO Q14 , Q18 GND
 C1780 C532 C531 PIN2 CONNECT TO Q16 , Q20 GND



INVENTEC			
TITLE GALLO I.0			
CPU POWER(VCC_CORE)			
SIZE A3	CODE CS	DOC. NUMBER <i>Model No</i>	REV A01
CHANGE by <i>CHANG ALEX</i>		8-Feb-2006	
SHEET 11		OF 58	



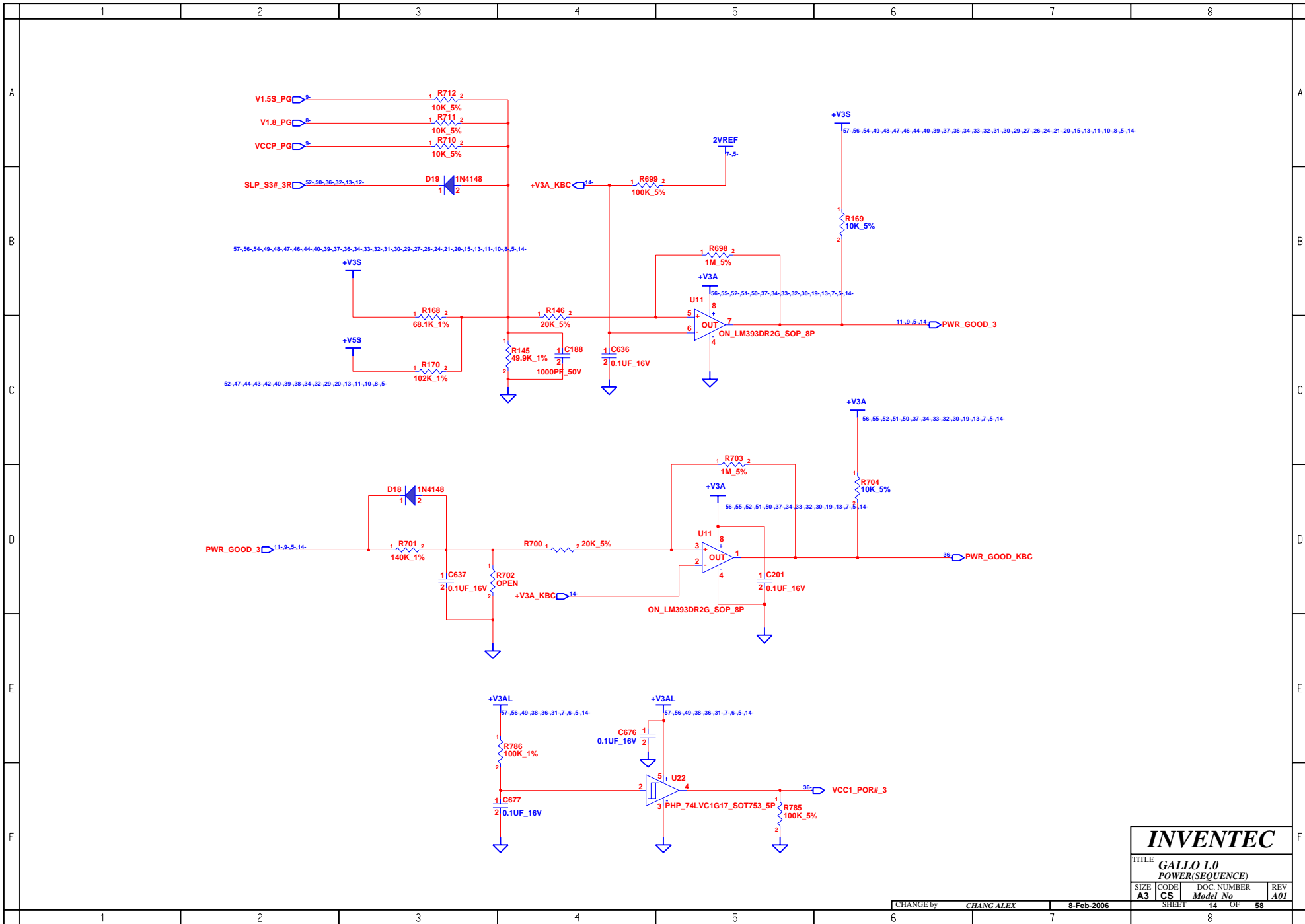
INVENTEC			
TITLE GALLO 1.0			
DDR TERMINATION VOLTAGE			
SIZE	CODE	DOC. NUMBER	REV
A3	CS	Model No	A01



INVENTEC

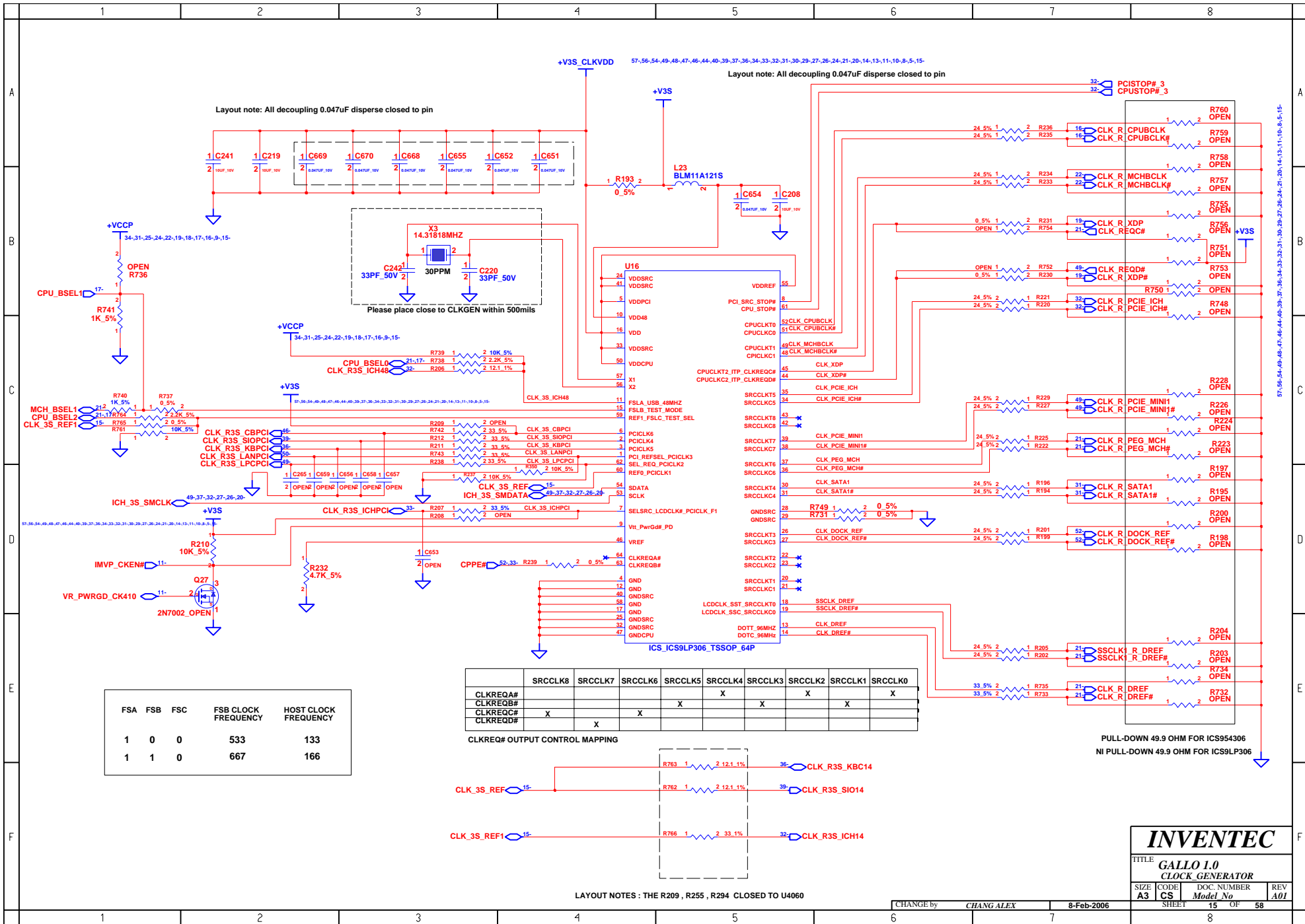
TITLE			
GALLO 1.0			
POWER(SLEEP)			
SIZE	CODE	DOC. NUMBER	REV
A3	CS	Model No	A01
CHANGE by		CHANG ALEX	8-Feb-2006
SHEET		13	OF 58

CHANGE by CHANG ALEX 8-Feb-2006



INVENTEC

TITLE			
GALLO 1.0			
POWER(SEQUENCE)			
SIZE	CODE	DOC. NUMBER	REV
A3	CS	Model No	A01



Layout note: All decoupling 0.047uF disperse closed to pin

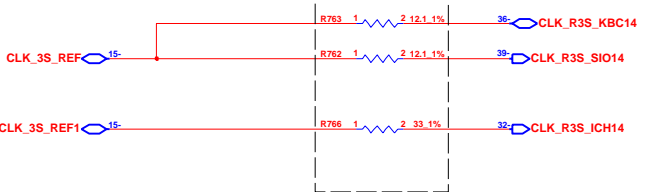
Layout note: All decoupling 0.047uF disperse closed to pin

Please place close to CLKGEN within 500mils

FSA	FSB	FSC	FSB CLOCK FREQUENCY	HOST CLOCK FREQUENCY
1	0	0	533	133
1	1	0	667	166

	SRCCLK8	SRCCLK7	SRCCLK6	SRCCLK5	SRCCLK4	SRCCLK3	SRCCLK2	SRCCLK1	SRCCLK0
CLKREQA#				X	X	X	X	X	X
CLKREQB#				X	X	X	X	X	X
CLKREQC#	X								
CLKREQD#		X							

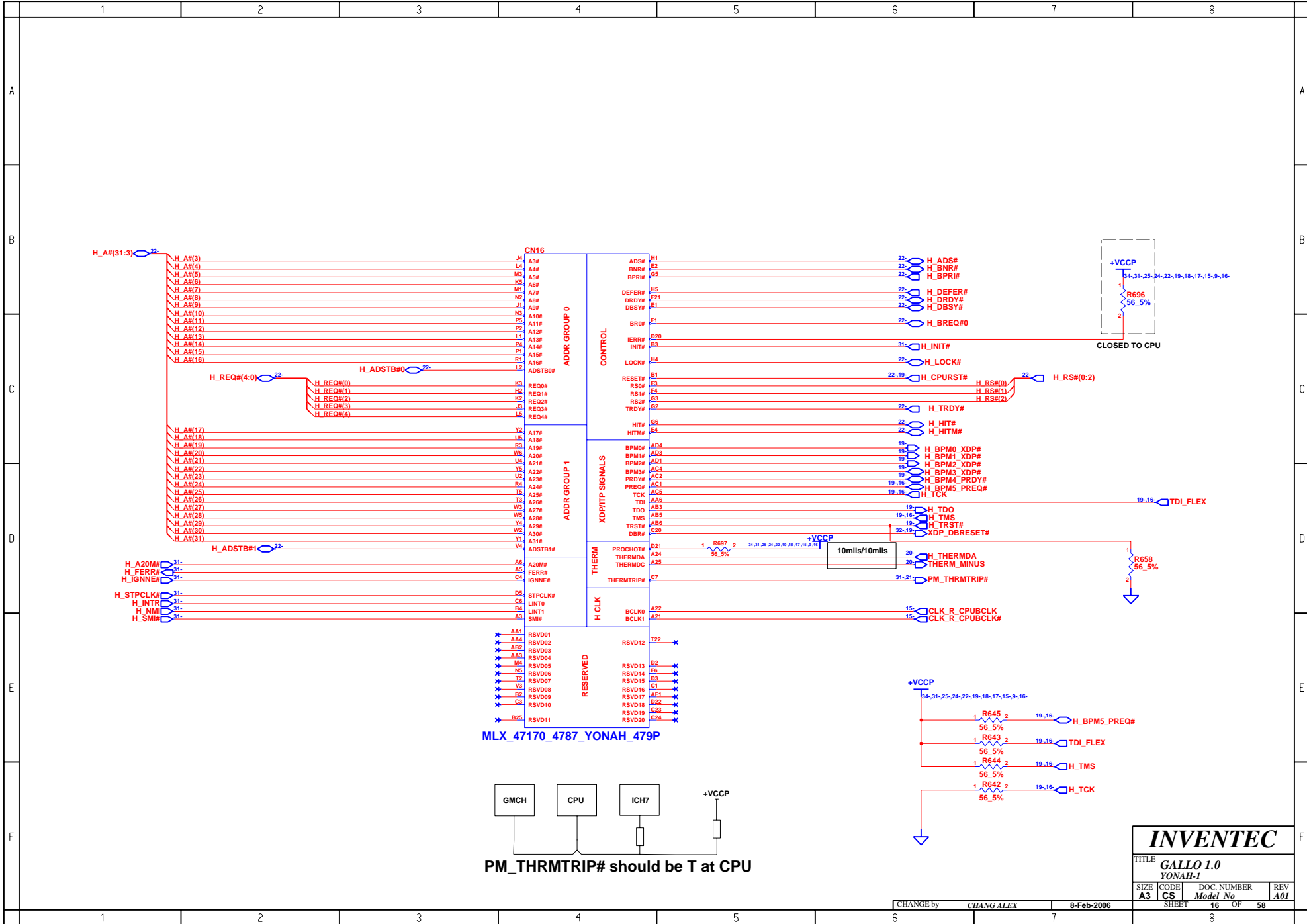
CLKREQ# OUTPUT CONTROL MAPPING



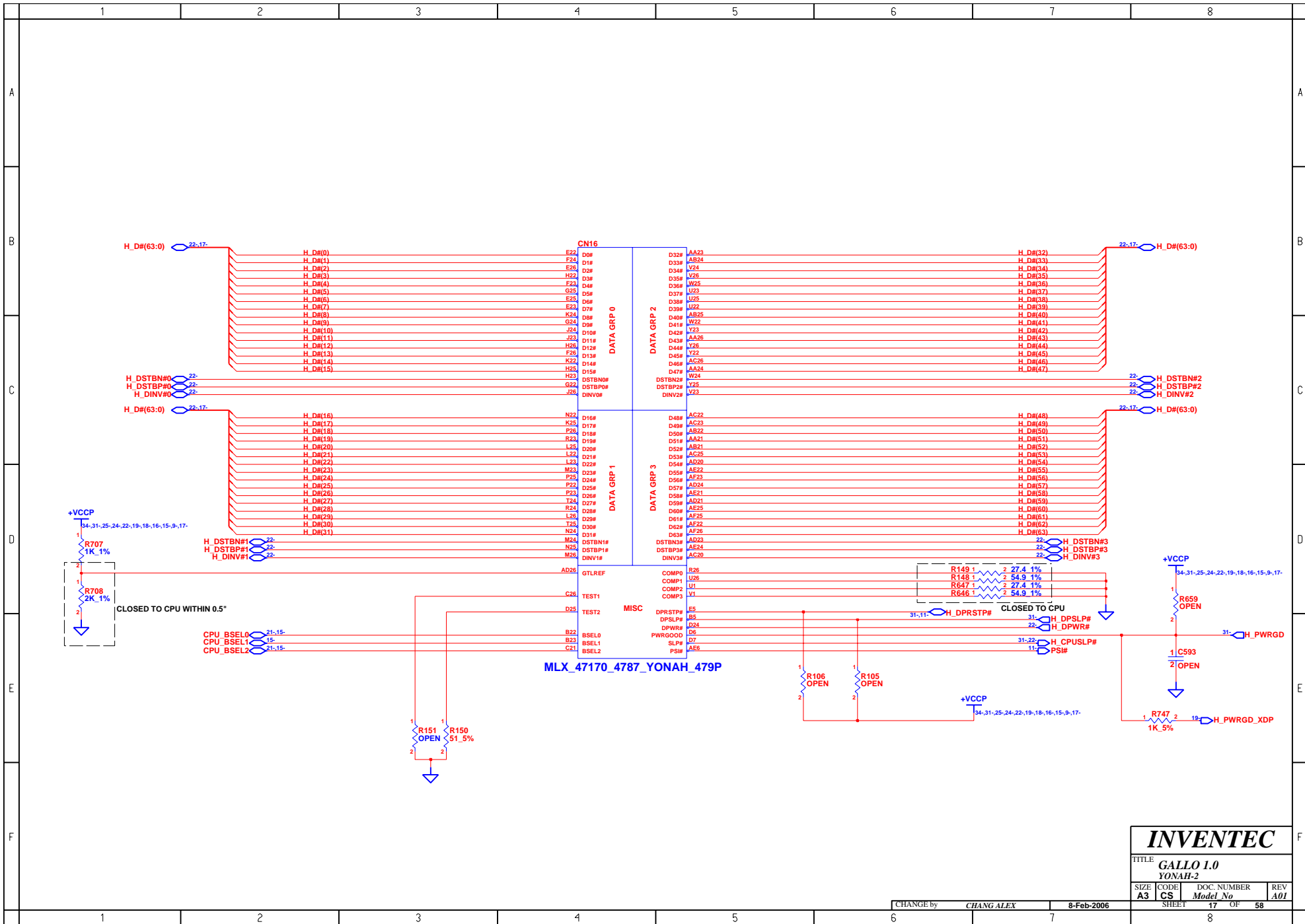
LAYOUT NOTES : THE R209 , R255 , R294 CLOSED TO U4060

CHANGE by CHANG ALEX 8-Feb-2006

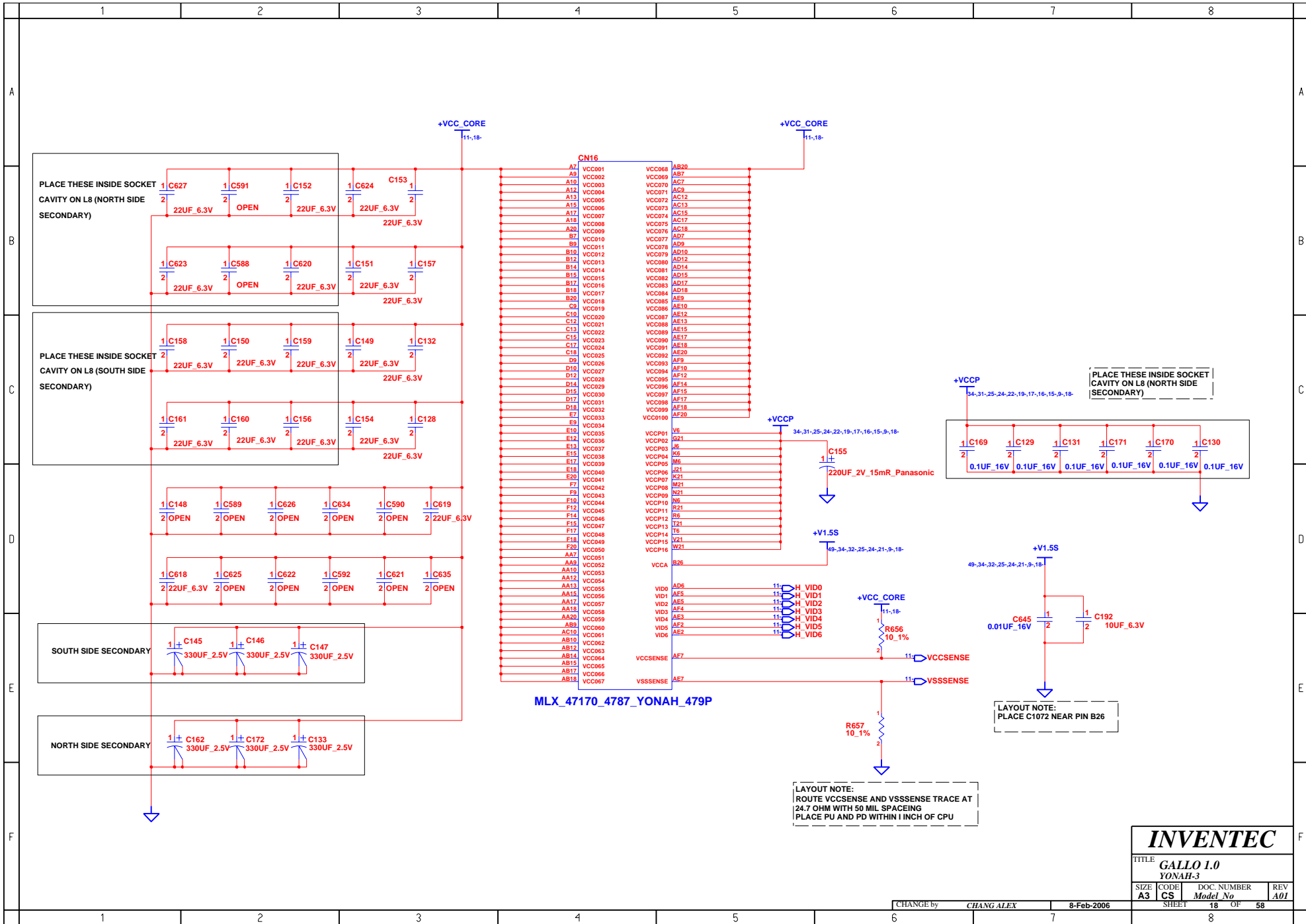
INVENTEC			
TITLE GALLO 1.0 CLOCK GENERATOR			
SIZE A3	CODE CS	DOC NUMBER Model No	REV A01
SHEET 15		OF 58	



INVENTEC			
TITLE GALLO I.0			
YONAH-1			
SIZE A3	CODE CS	DOC. NUMBER Model No	REV A01
CHANGE by CHANG ALEX		8-Feb-2006	SHEET 16 OF 58

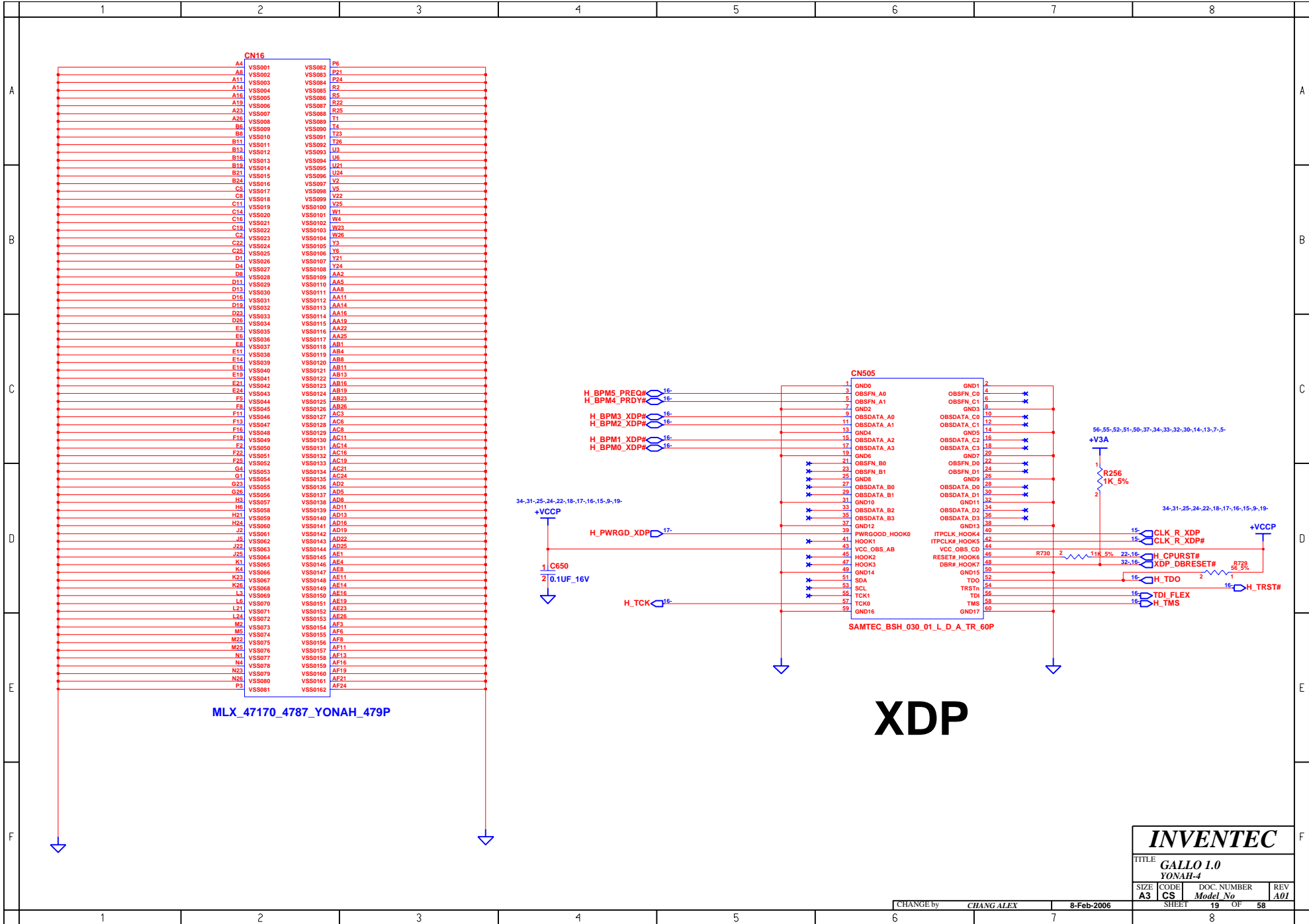


INVENTEC			
TITLE GALLO 1.0 YONAH-2			
SIZE A3	CODE CS	DOC. NUMBER <i>Model No</i>	REV A01
CHANGE by <i>CHANG ALEX</i>		8-Feb-2006	
SHEET 17		OF 58	



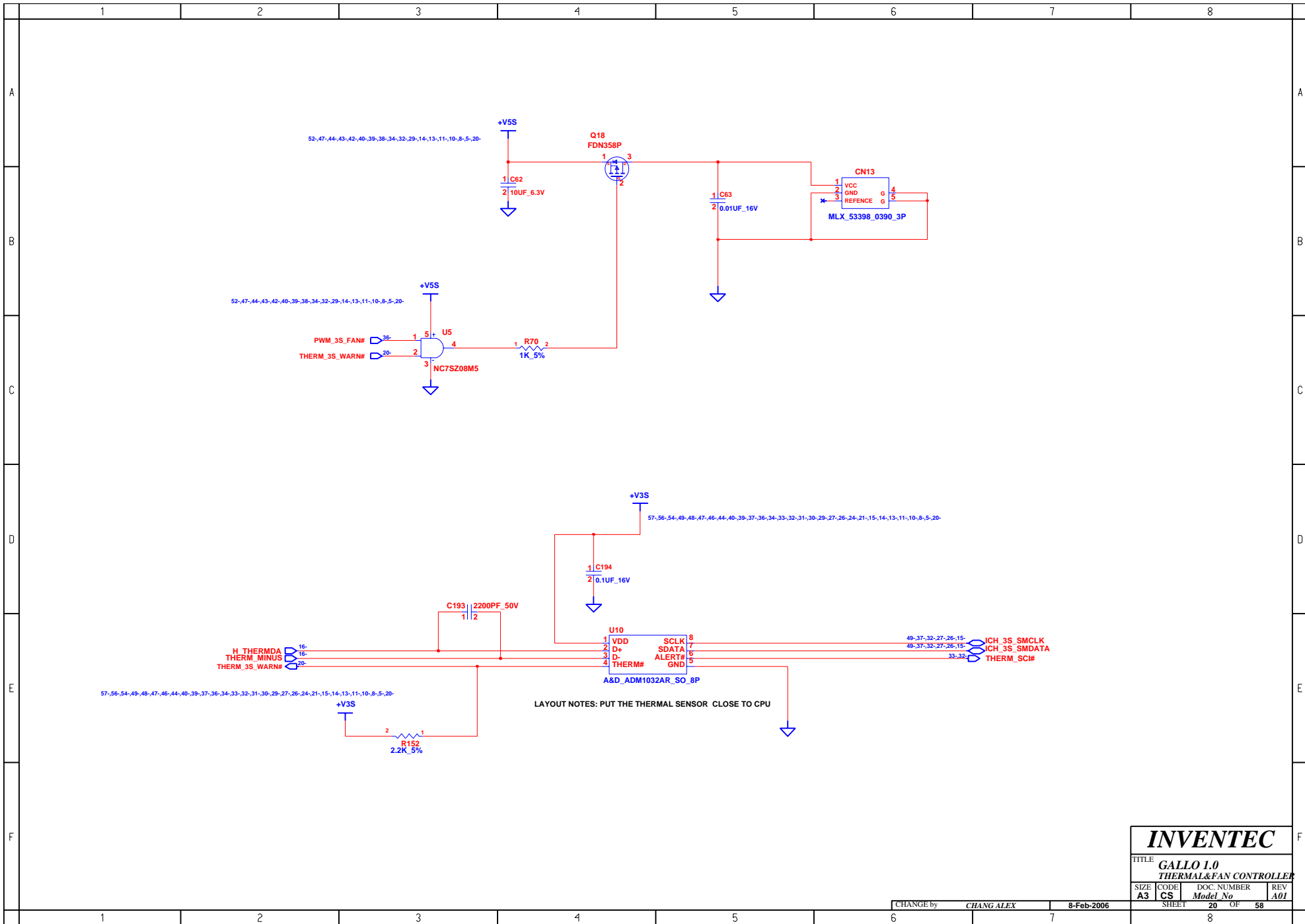
INVENTEC

TITLE			
GALLO 1.0			
YONAH-3			
SIZE	CODE	DOC. NUMBER	REV
A3	CS	Model No	A01
CHANGE by			8-Feb-2006
SHEET 18			OF 58

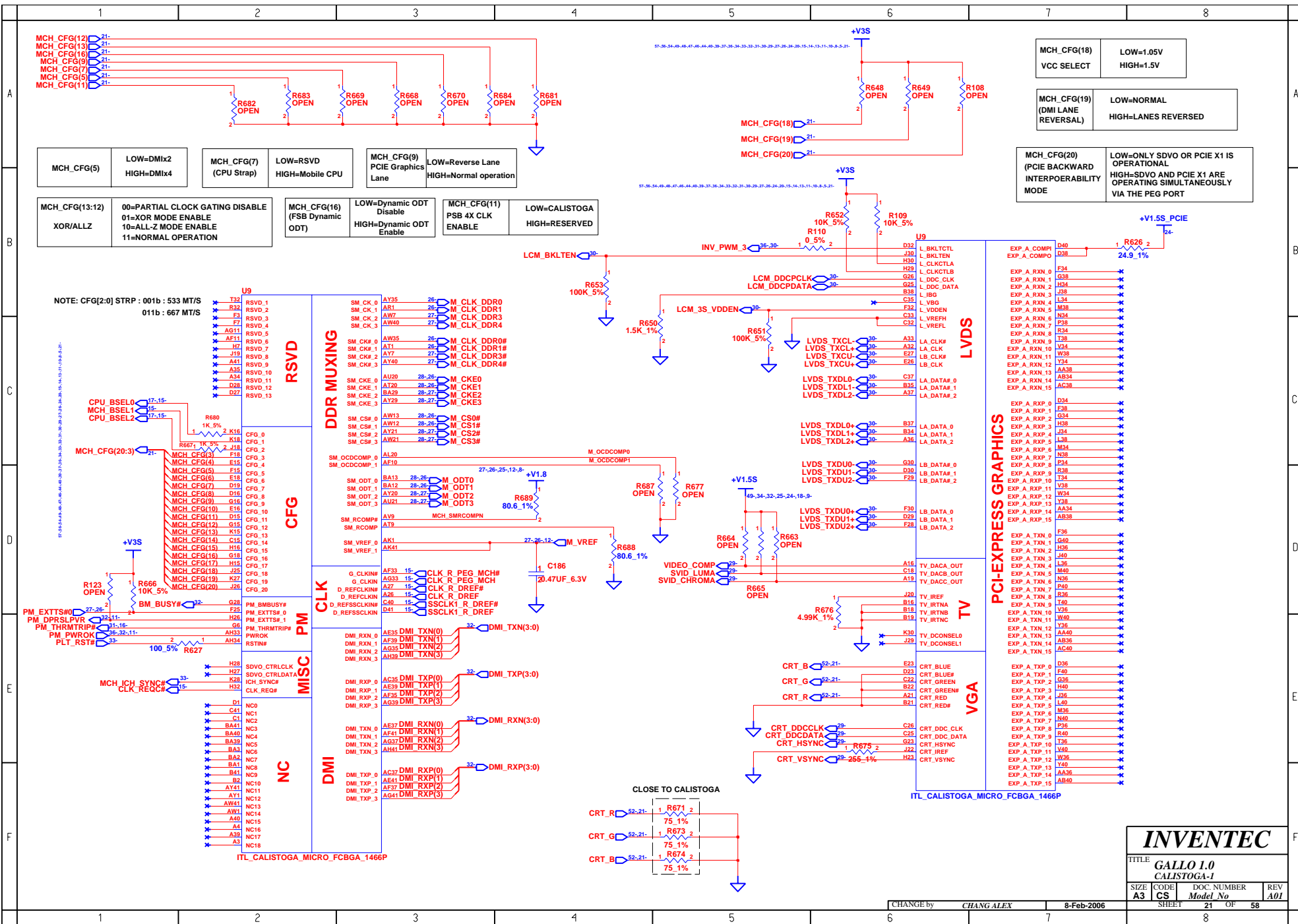


XDP

INVENTEC			
TITLE GALLO I.0			
YONAH-4			
SIZE A3	CODE CS	DOC. NUMBER <i>Model No</i>	REV A01
CHANGE by <i>CHANG ALEX</i>		8-Feb-2006	SHEET 19 OF 58



INVENTEC			
TITLE GALLO 1.0 THERMAL&FAN CONTROLLER			
SIZE A3	CODE CS	DOC. NUMBER Model No	REV A01
CHANGE by CHANG ALEX		8-Feb-2006	SHEET 20 OF 58



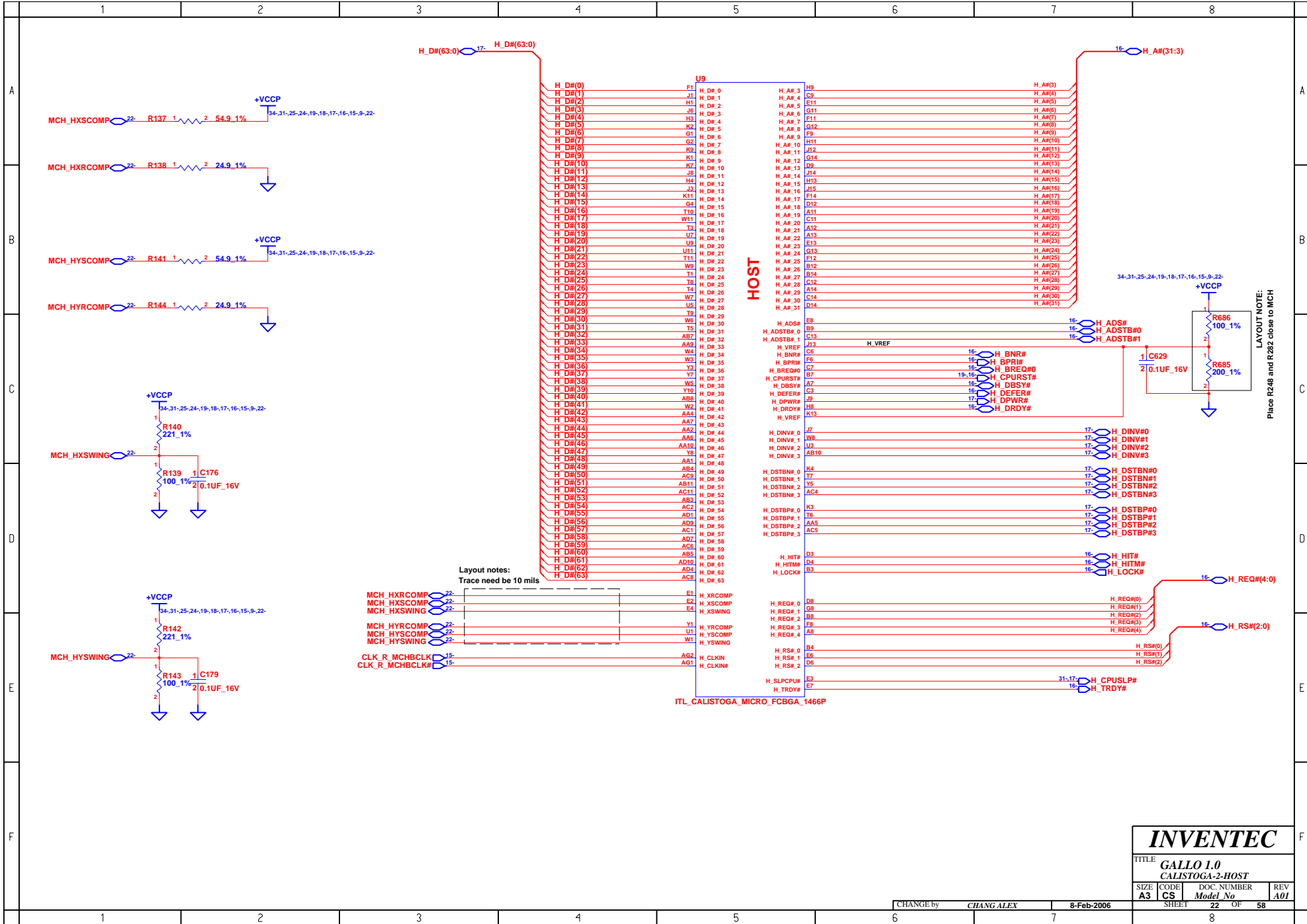
INVENTEC

TITLE
GALLO I.0
CALISTOGA-1

SIZE	CODE	DOC. NUMBER	REV
A3	CS	Model No	A01

CHANGE by **CHANG ALEX** 8-Feb-2006

SHEET 21 OF 58



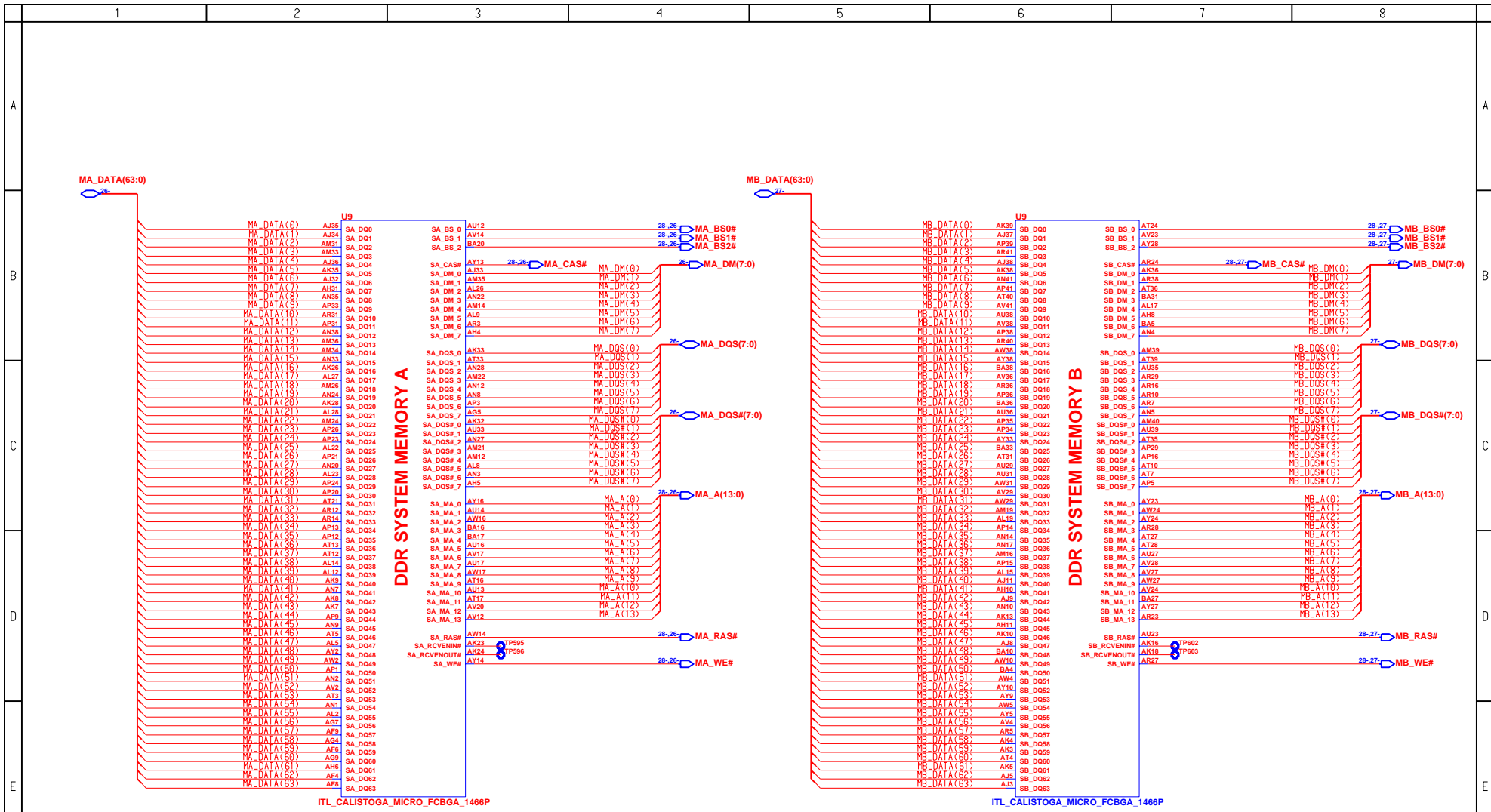
INVENTEC

TITLE
GALLO I.0
CALISTOGA-2-HOST

SIZE	CODE	DOC. NUMBER	REV
A3	CS	Model No	A01

CHANGE by **CHANG ALEX** 8-Feb-2006

SHEET 22 OF 58



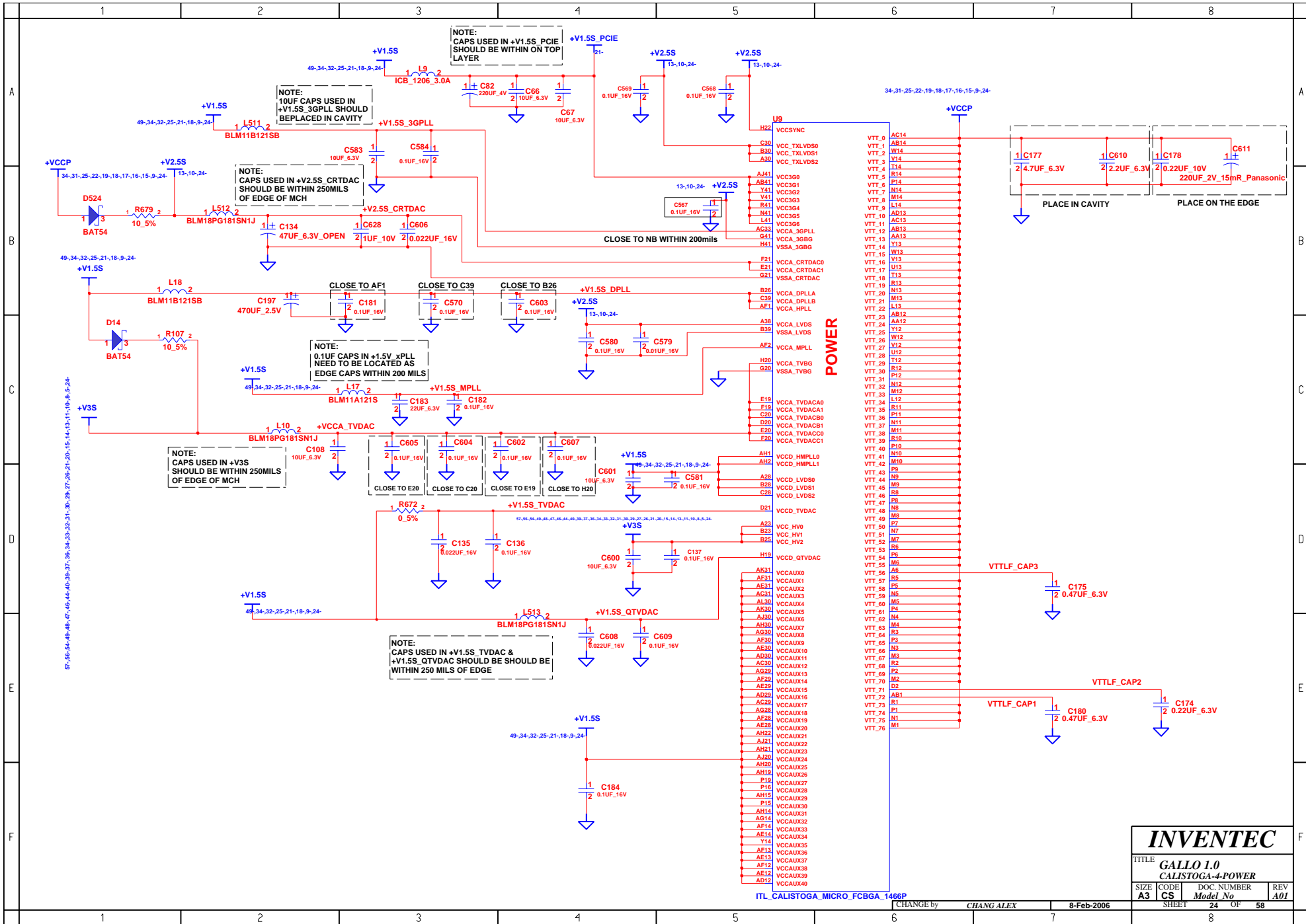
INVENTEC

TITLE
GALLO I.0
CALISTOGA-3-DDR2

SIZE	CODE	DOC. NUMBER	REV
A3	CS	Model No	A01

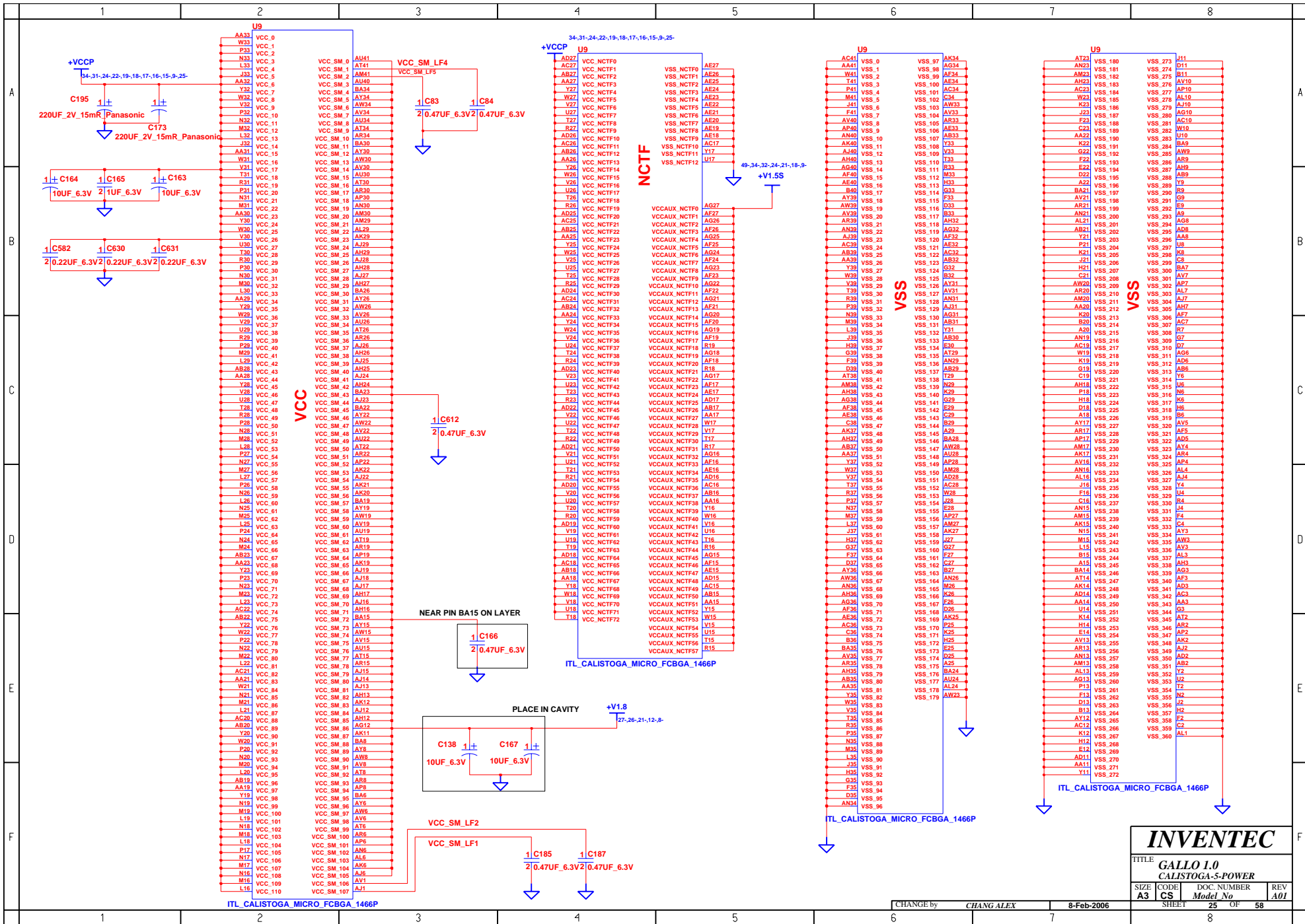
CHANGE by **CHANG ALEY** 8-Feb-2006

SHEET 23 OF 58



INVENTEC			
TITLE GALLO I.0 CALISTOGA-4-POWER			
SIZE A3	CODE CS	DOC. NUMBER Model No	REV A01
CHANGE by CHANG ALEX		8-Feb-2006	
SHEET 24		OF 58	

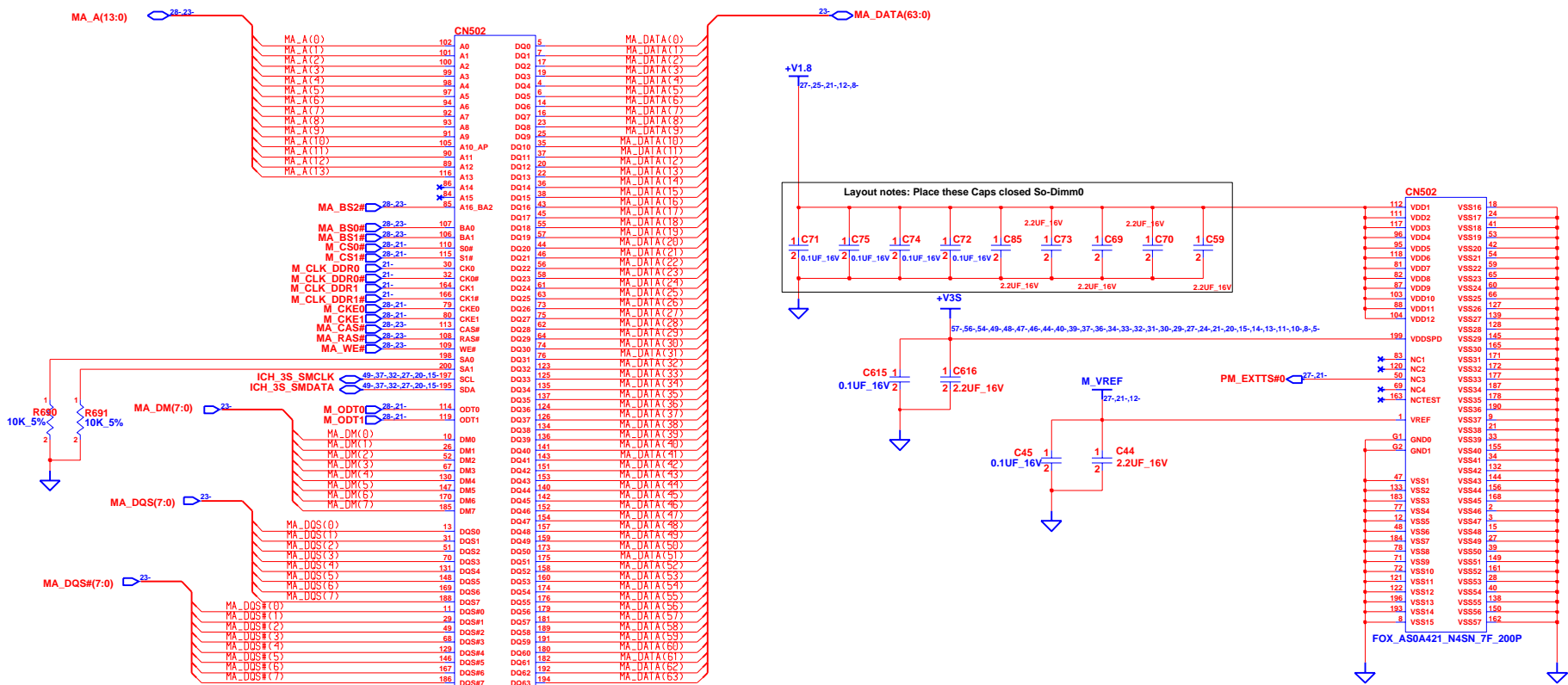
ITL CALISTOGA_MICRO_FCBGA_1466P



INVENTEC

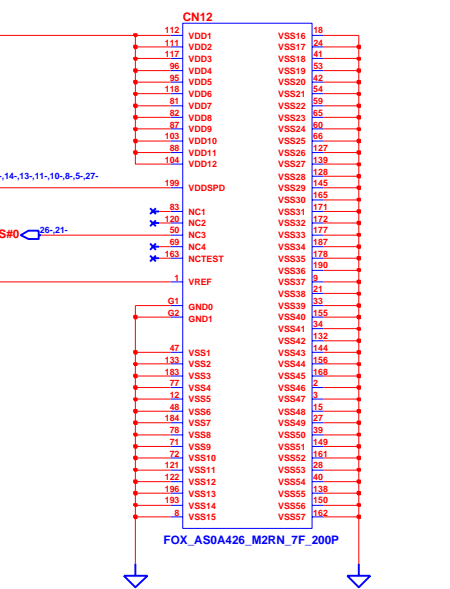
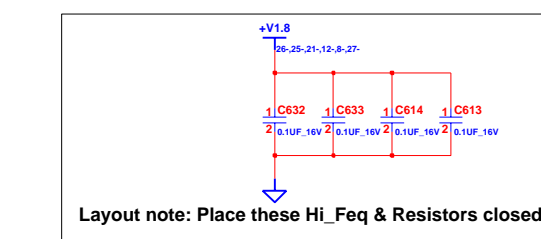
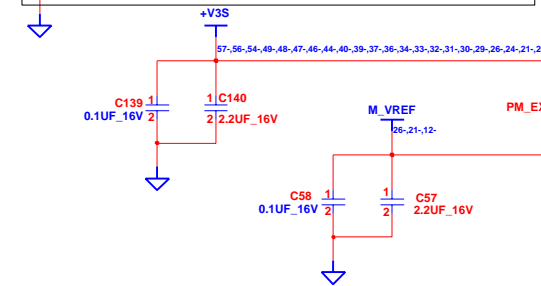
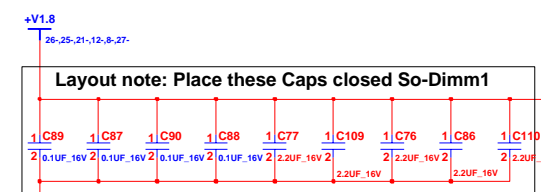
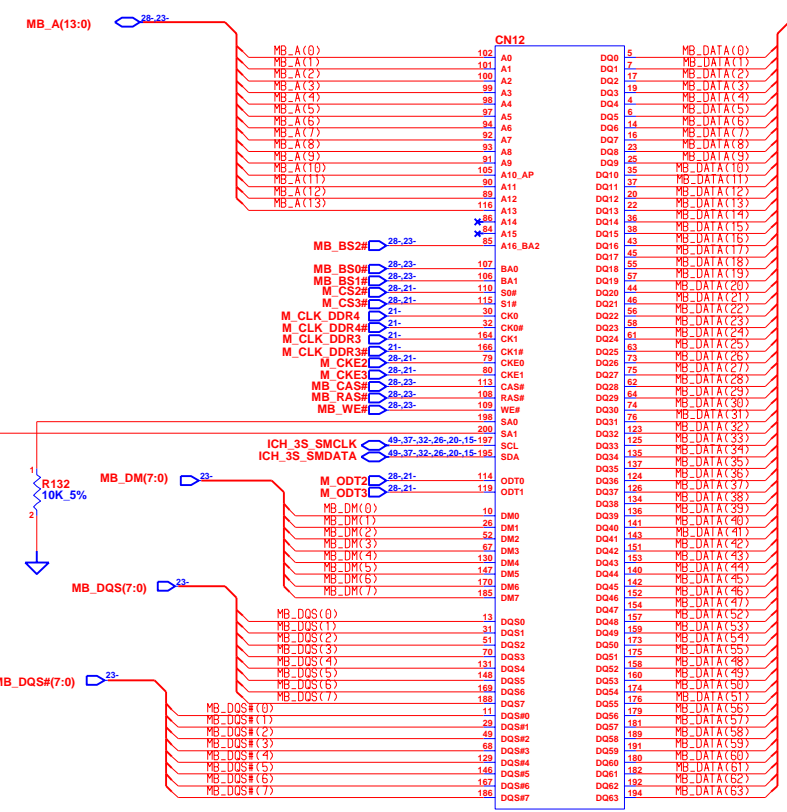
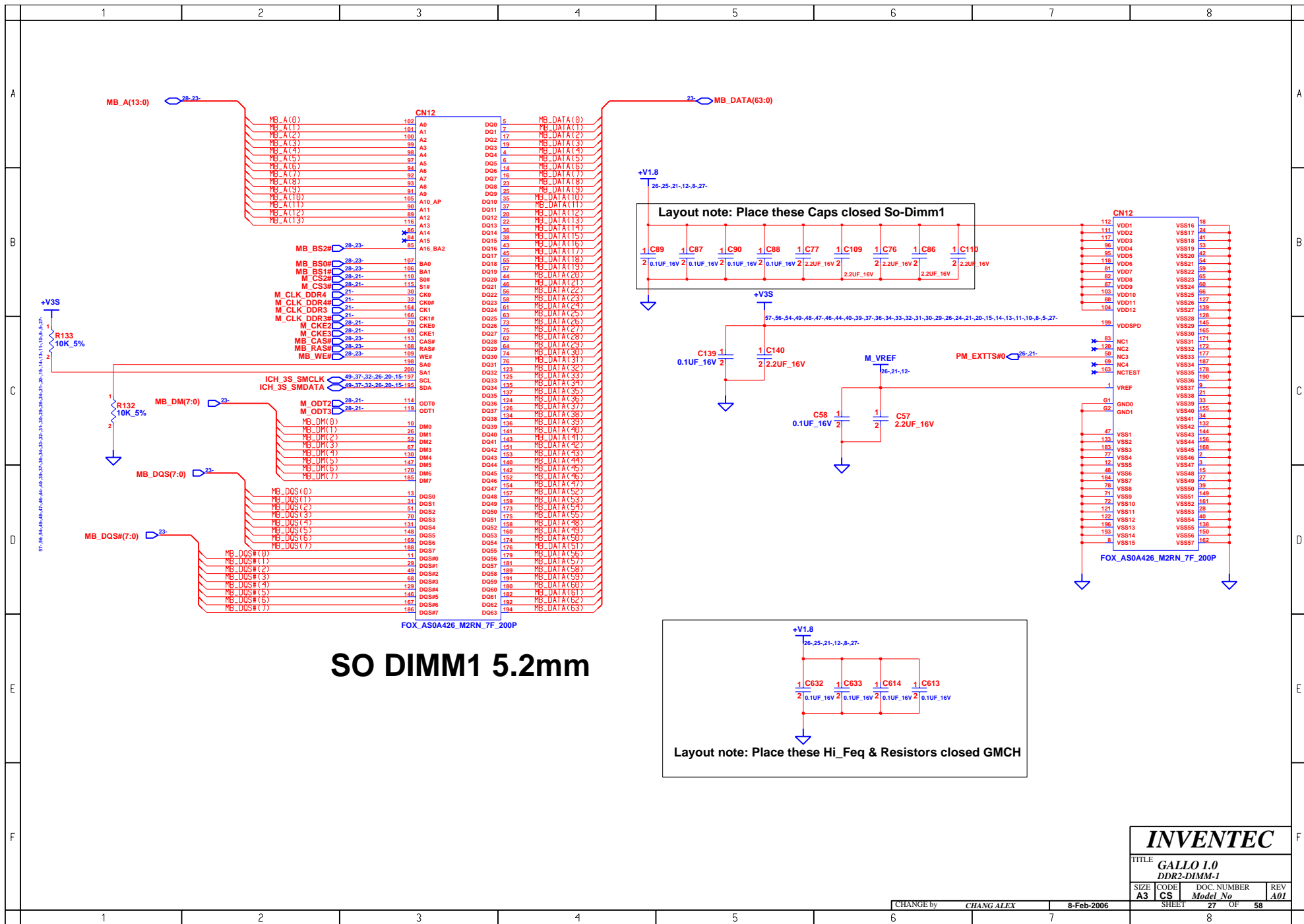
TITLE GALLO I.0
CALISTOGA-5-POWER

SIZE	CODE	DOC. NUMBER	REV
A3	CS	Model No	A01
SHEET		25	OF 58

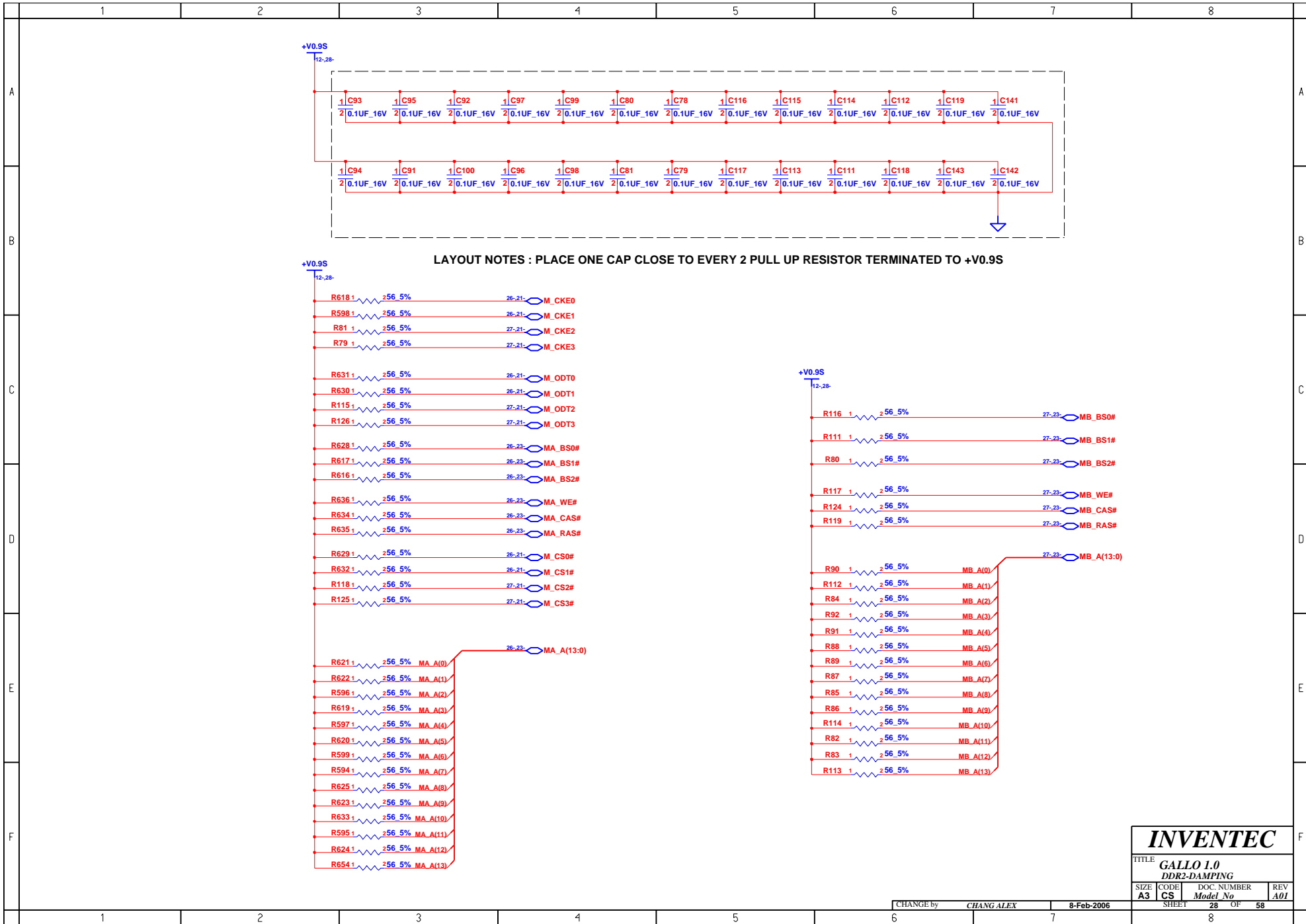


SO DIMM0_5.2mm

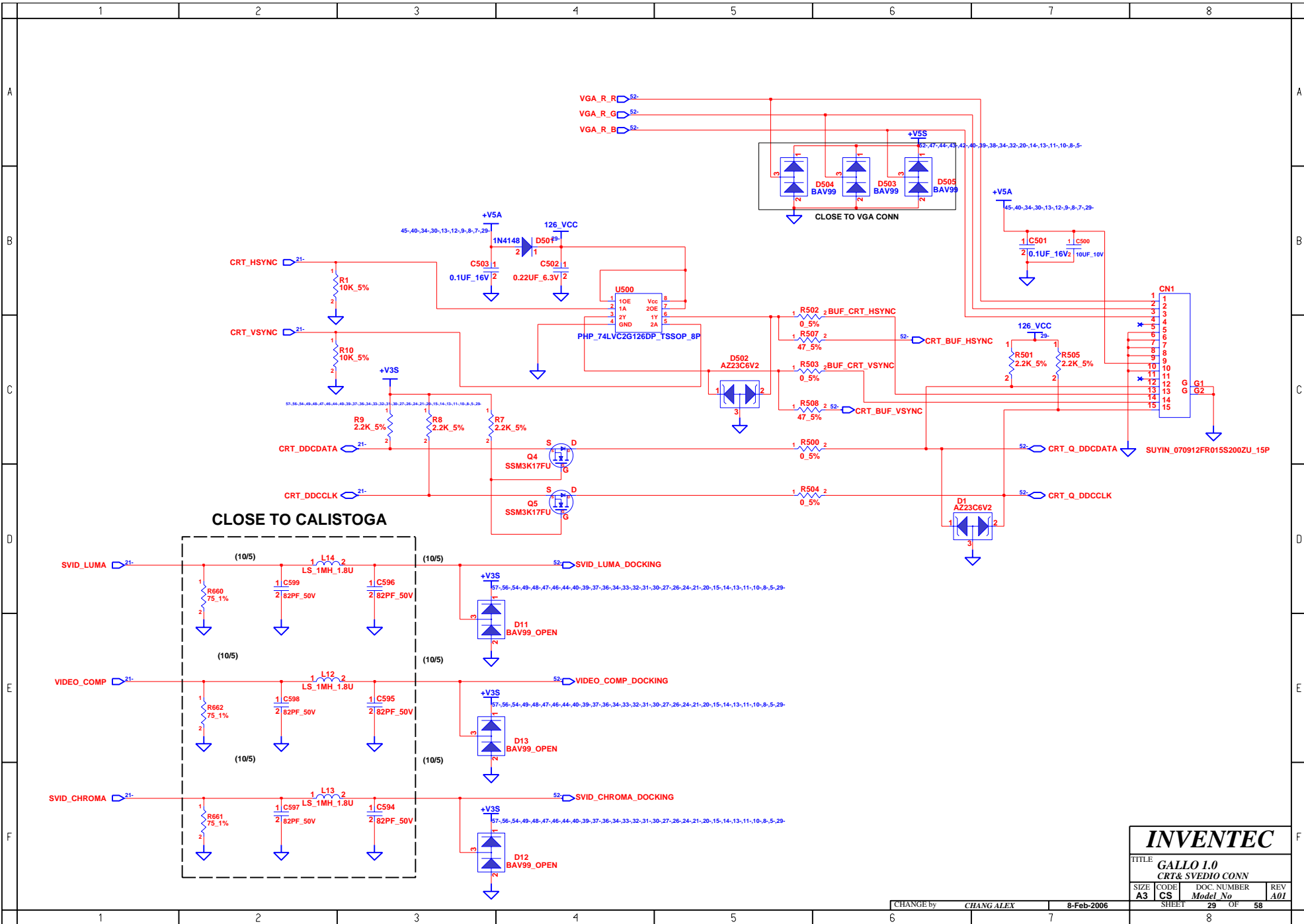
INVENTEC			
TITLE GALLO I.0 DDR2-DIMM-0			
SIZE	CODE	DOC. NUMBER	REV
A3	CS	Model No	A01
CHANGE by		CHANG ALEX	8-Feb-2006
SHEET		26	OF 58



INVENTEC			
TITLE: GALLO I.0 DDR2-DIMM-1			
SIZE	CODE	DOC. NUMBER	REV
A3	CS	Model No	A01
CHANGE by: CHANG ALEX		8-Feb-2006	
SHEET 27		OF 58	

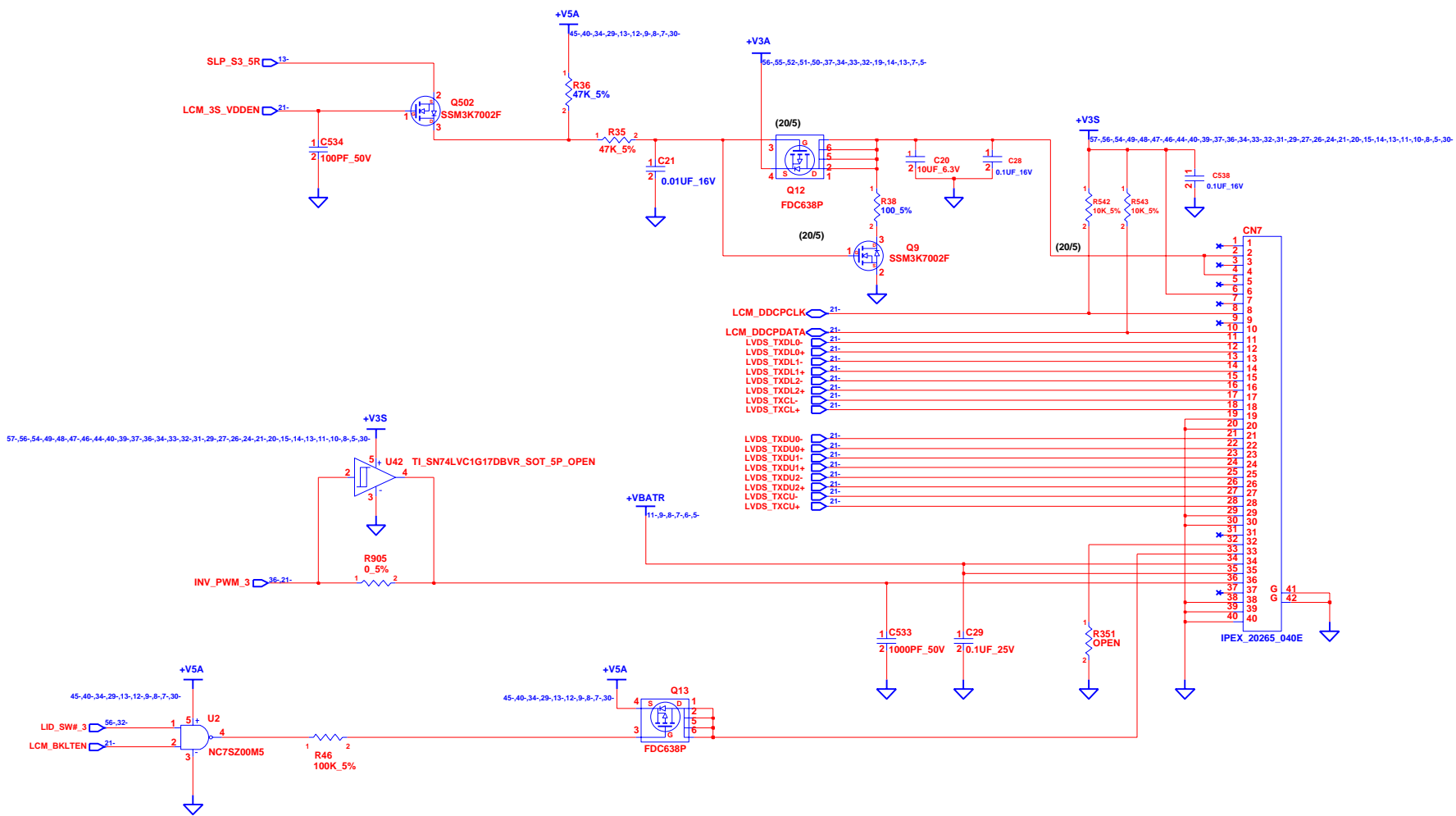


INVENTEC			
TITLE GALLO I.0			
DDR2-DAMPING			
SIZE	CODE	DOC. NUMBER	REV
A3	CS	Model No	A01
CHANGE by		CHANG ALEX	8-Feb-2006
SHEET		28	OF 58



INVENTEC			
TITLE GALLO I.0 CRT & SVEDIO CONN			
SIZE A3	CODE CS	DOC. NUMBER <i>Model No</i>	REV A01
CHANGE by <i>CHANG ALEX</i>		8-Feb-2006	
SHEET 29		OF 58	

Place closed to connector

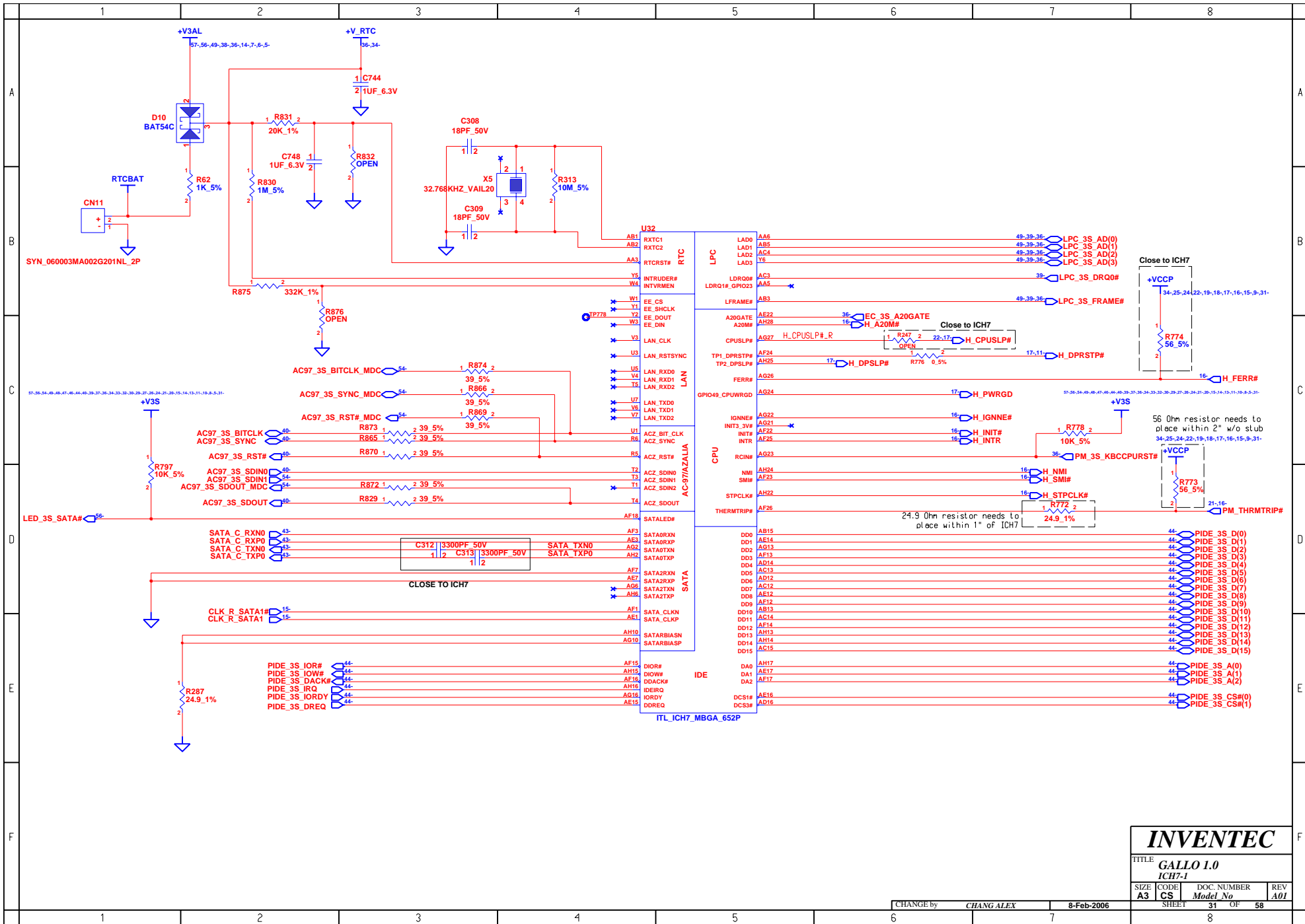


INVENTEC

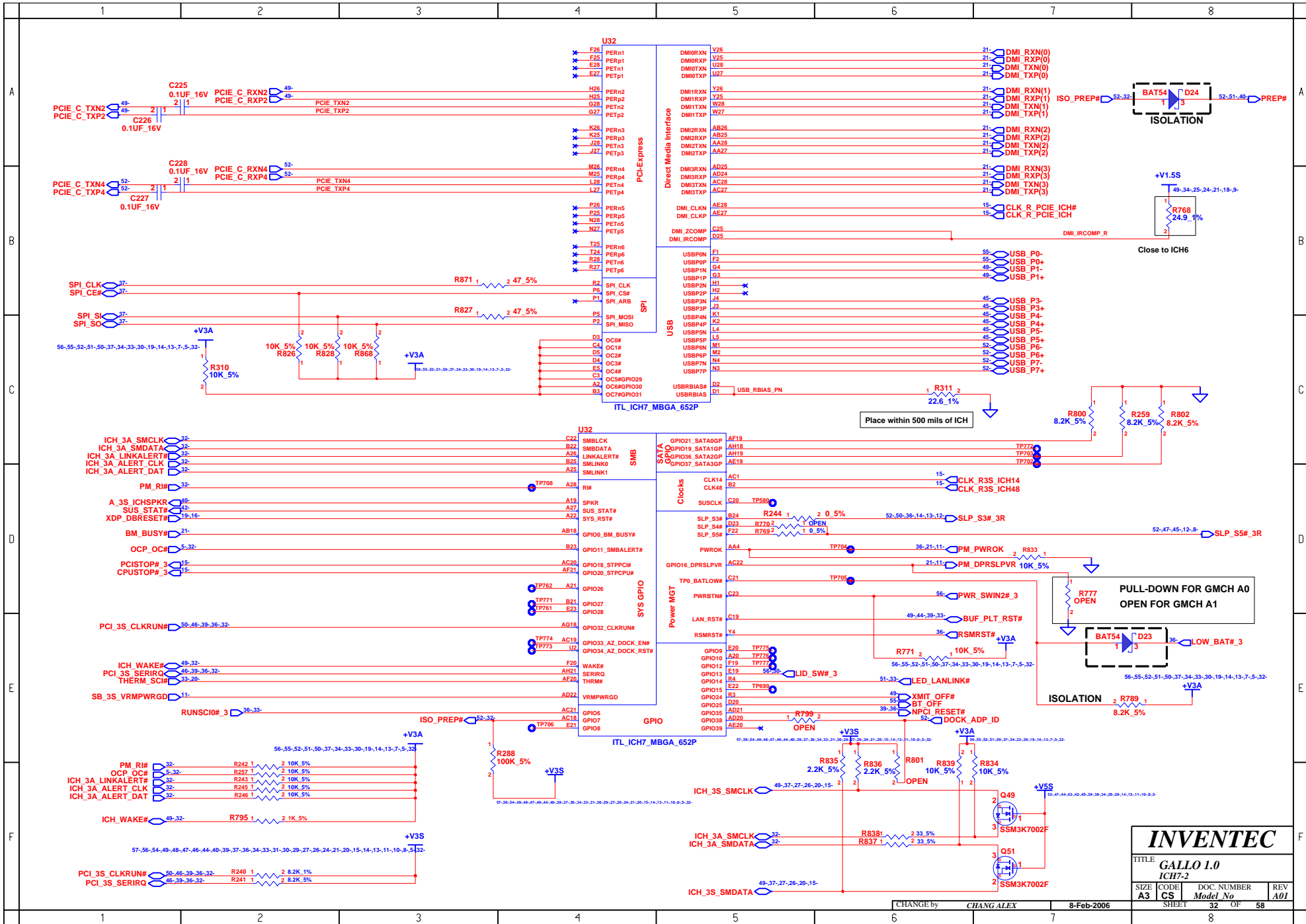
TITLE
GALLO 1.0
 LCD CONN

SIZE A3	CODE CS	DOC. NUMBER <i>Model No</i>	REV A01
-------------------	-------------------	--------------------------------	-------------------

CHANGE by *CHANG ALEX* 8-Feb-2006 SHEET 30 OF 58



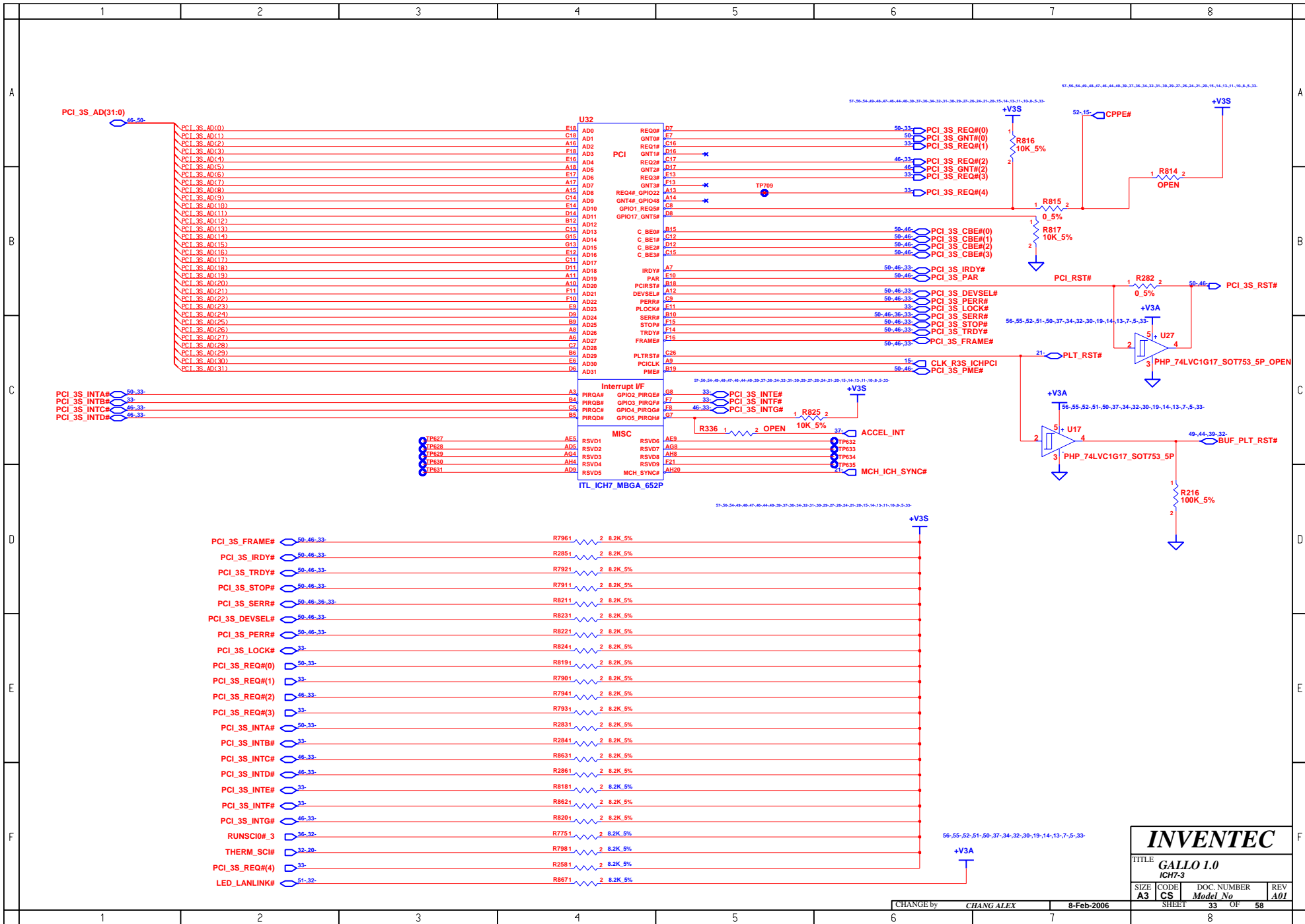
INVENTEC			
TITLE GALLO 1.0 ICH7-1			
SIZE A3	CODE CS	DOC. NUMBER <i>Model No</i>	REV A01
CHANGE by <i>CHANG ALEX</i>		8-Feb-2006	
SHEET 31		OF 58	



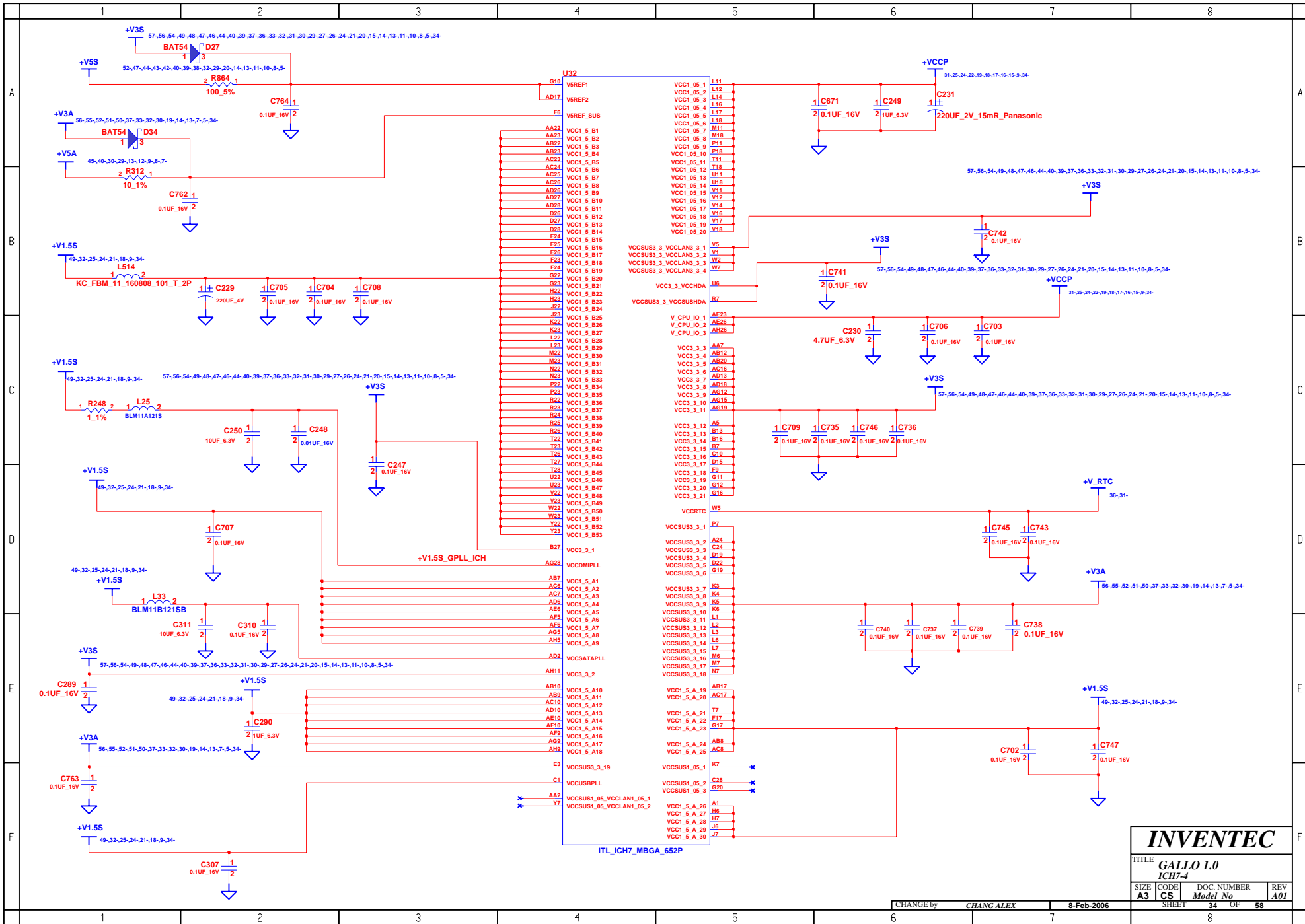
INVENTEC

TITLE
GALLO I.0
ICH7-2

SIZE	CODE	DOC. NUMBER	REV
A3	CS	Model No	A01



INVENTEC			
TITLE GALLO I.0 ICH7-3			
SIZE A3	CODE CS	DOC. NUMBER Model No	REV A01
CHANGE by CHANG ALEX		8-Feb-2006	SHEET 33 OF 58



INVENTEC			
TITLE GALLO I.0			
ICH7-4			
SIZE A3	CODE CS	DOC. NUMBER <i>Model No</i>	REV A01
CHANGE by <i>CHANG ALEX</i>		8-Feb-2006	
SHEET 34		OF 58	

	1	2	3	4	5	6	7	8	
A									A
B									B
C									C
D									D
E									E
F									F

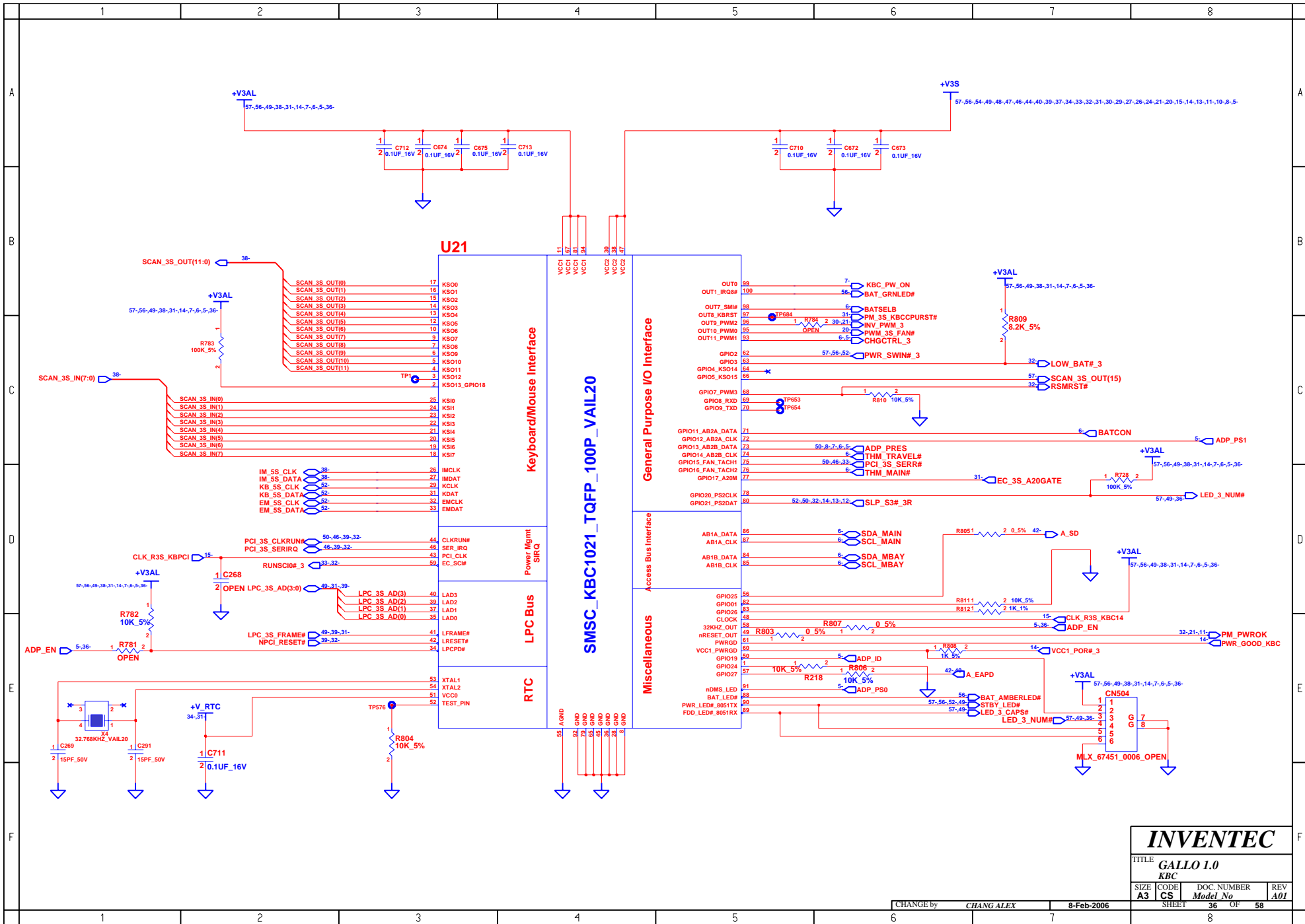
U32

A4	VSS1	VSS98
A23	VSS2	VSS99
B1	VSS3	VSS100
B8	VSS4	VSS101
B11	VSS5	VSS102
B14	VSS6	VSS103
B17	VSS7	VSS104
B20	VSS8	VSS105
B26	VSS9	VSS106
B29	VSS10	VSS107
C2	VSS11	VSS108
C6	VSS12	VSS109
C27	VSS13	VSS110
D10	VSS14	VSS111
D13	VSS15	VSS112
D18	VSS16	VSS113
D21	VSS17	VSS114
D24	VSS18	VSS115
E1	VSS19	VSS116
E2	VSS20	VSS117
E4	VSS21	VSS118
E8	VSS22	VSS119
E15	VSS23	VSS120
F3	VSS24	VSS121
F4	VSS25	VSS122
F5	VSS26	VSS123
F12	VSS27	VSS124
F27	VSS28	VSS125
F28	VSS29	VSS126
G1	VSS30	VSS127
G2	VSS31	VSS128
G6	VSS32	VSS129
G6	VSS33	VSS130
G9	VSS34	VSS131
G14	VSS35	VSS132
G18	VSS36	VSS133
G21	VSS37	VSS134
G24	VSS38	VSS135
G25	VSS39	VSS136
G26	VSS40	VSS137
H3	VSS41	VSS138
H4	VSS42	VSS139
H5	VSS43	VSS140
H24	VSS44	VSS141
H27	VSS45	VSS142
H28	VSS46	VSS143
J1	VSS47	VSS144
J2	VSS48	VSS145
J5	VSS49	VSS146
J24	VSS50	VSS147
J25	VSS51	VSS148
J26	VSS52	VSS149
K24	VSS53	VSS150
K27	VSS54	VSS151
K28	VSS55	VSS152
L13	VSS56	VSS153
L15	VSS57	VSS154
L24	VSS58	VSS155
L25	VSS59	VSS156
L26	VSS60	VSS157
M3	VSS61	VSS158
M4	VSS62	VSS159
M5	VSS63	VSS160
M12	VSS64	VSS161
M13	VSS65	VSS162
M14	VSS66	VSS163
M15	VSS67	VSS164
M16	VSS68	VSS165
M17	VSS69	VSS166
M24	VSS70	VSS167
M27	VSS71	VSS168
M28	VSS72	VSS169
N1	VSS73	VSS170
N2	VSS74	VSS171
N5	VSS75	VSS172
N6	VSS76	VSS173
N11	VSS77	VSS174
N12	VSS78	VSS175
N13	VSS79	VSS176
N14	VSS80	VSS177
N15	VSS81	VSS178
N16	VSS82	VSS179
N17	VSS83	VSS180
N18	VSS84	VSS181
N24	VSS85	VSS182
N25	VSS86	VSS183
N26	VSS87	VSS184
P3	VSS88	VSS185
P4	VSS89	VSS186
P12	VSS90	VSS187
P13	VSS91	VSS188
P14	VSS92	VSS189
P15	VSS93	VSS190
P16	VSS94	VSS191
P17	VSS95	VSS192
P24	VSS96	VSS193
P27	VSS97	VSS194

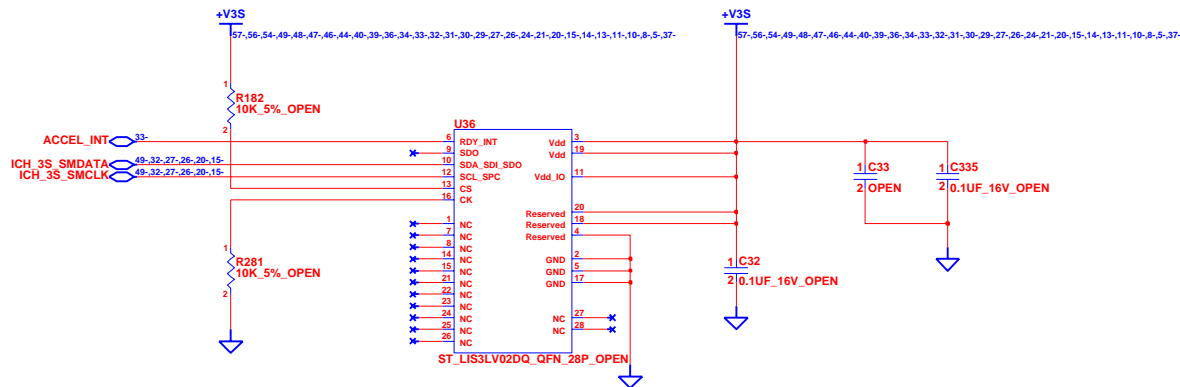
ITL_ICH7_MBGA_652P



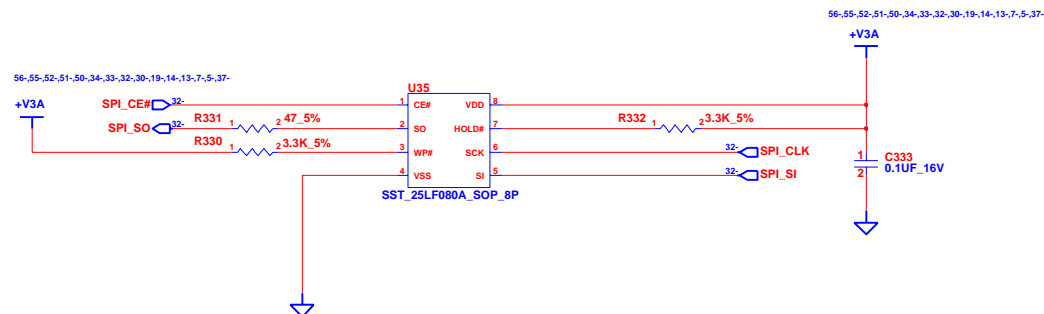
INVENTEC			
TITLE GALLO 1.0			
ICH7-5			
SIZE	CODE	DOC. NUMBER	REV
A3	CS	Model No	A01
SHEET		35	OF 58



INVENTEC			
TITLE GALLO 1.0			
KBC			
SIZE A3	CODE CS	DOC. NUMBER <i>Model No</i>	REV A01



HARDDRIVE PROTECTION

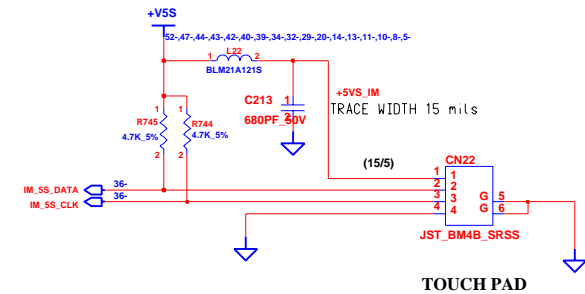
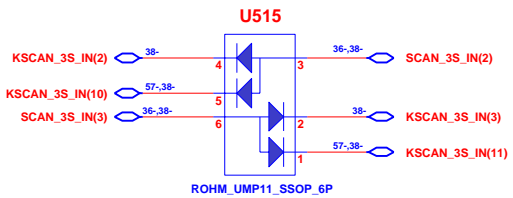
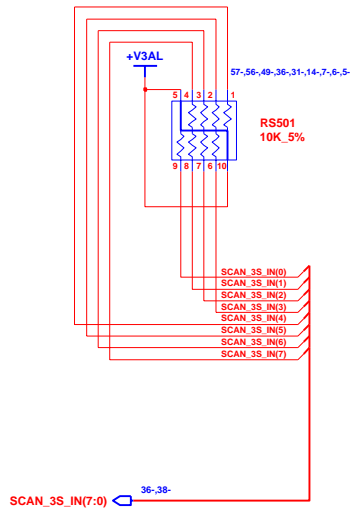
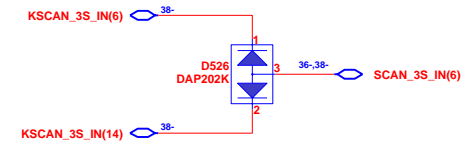
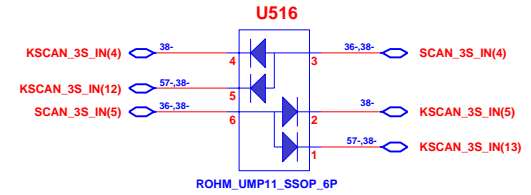
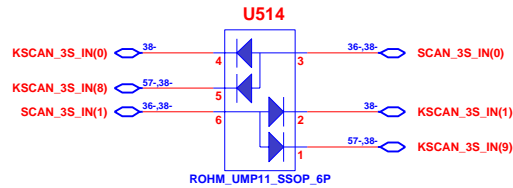
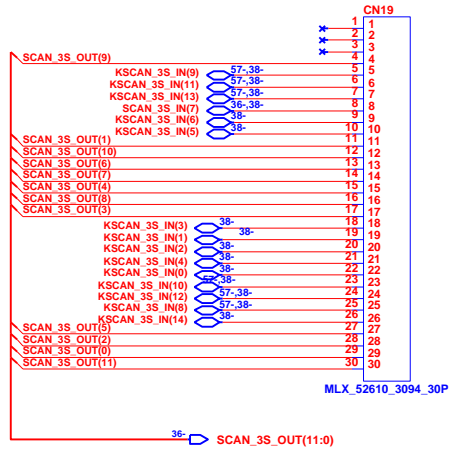


INVENTEC

TITLE			
GALLO 1.0			
SPI/HDD PROTECTION			
SIZE	CODE	DOC. NUMBER	REV
A3	CS	Model No	A01

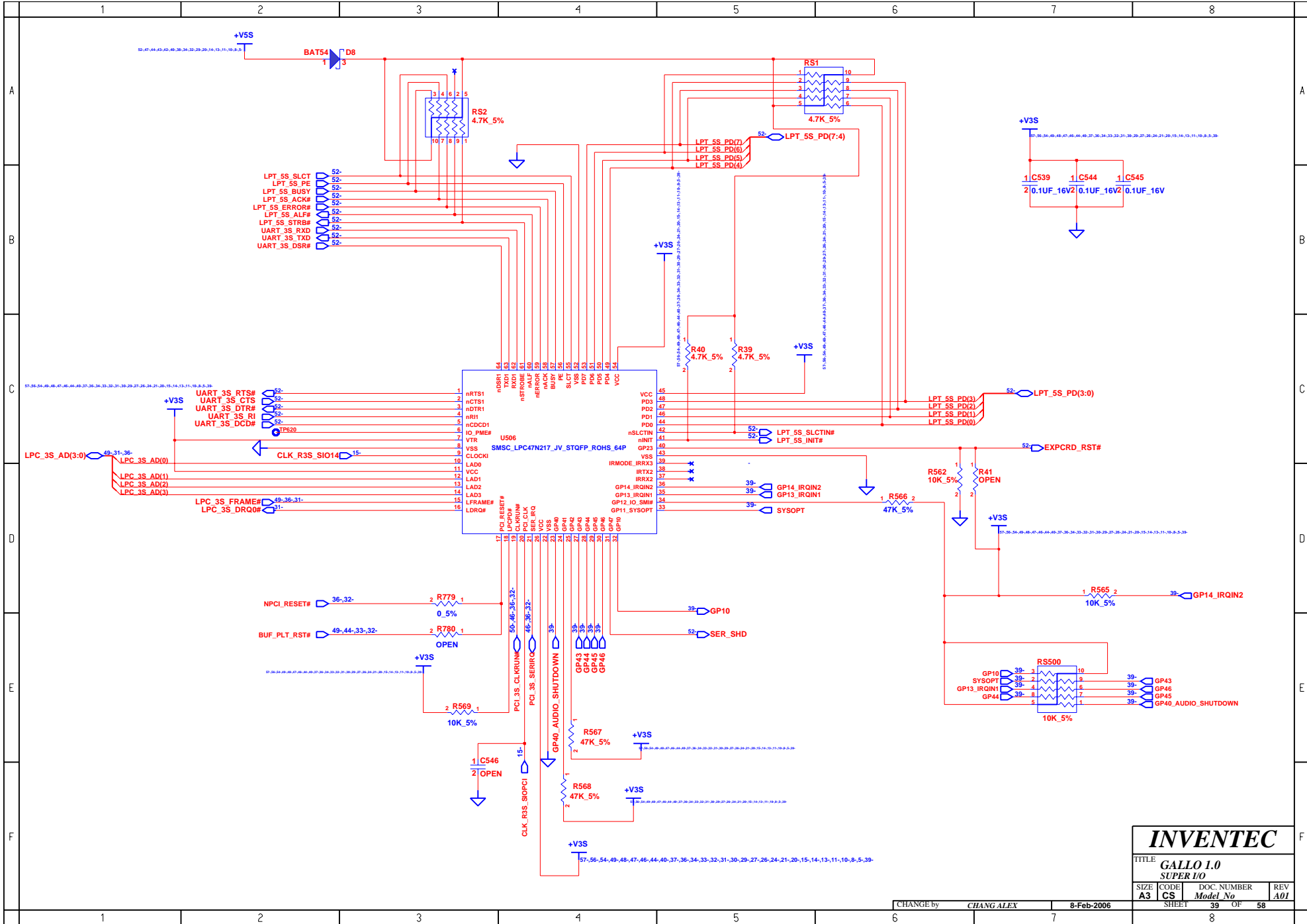
CHANGE by *CHANG ALEX* 8-Feb-2006

SHEET 37 OF 58

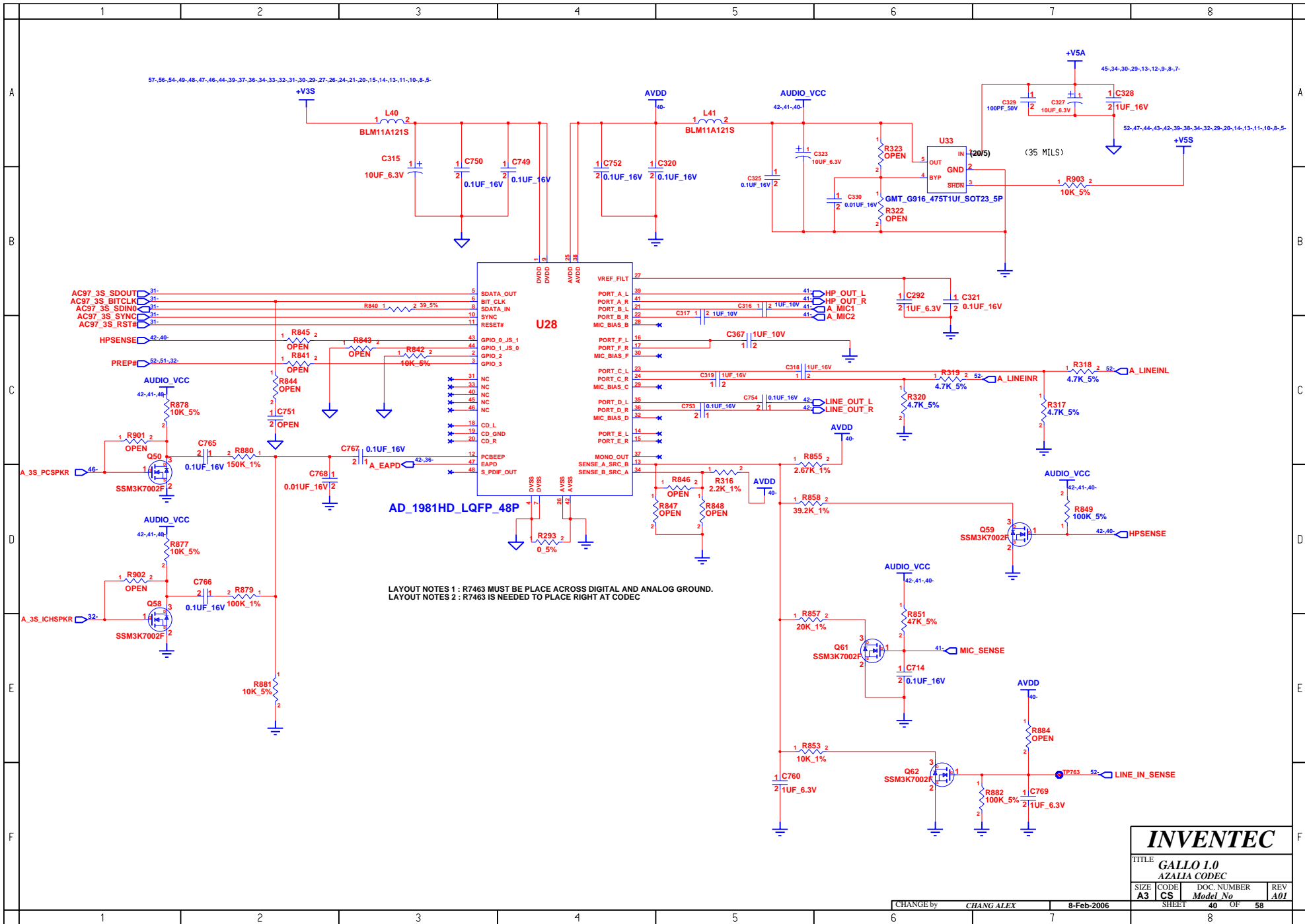


INVENTEC

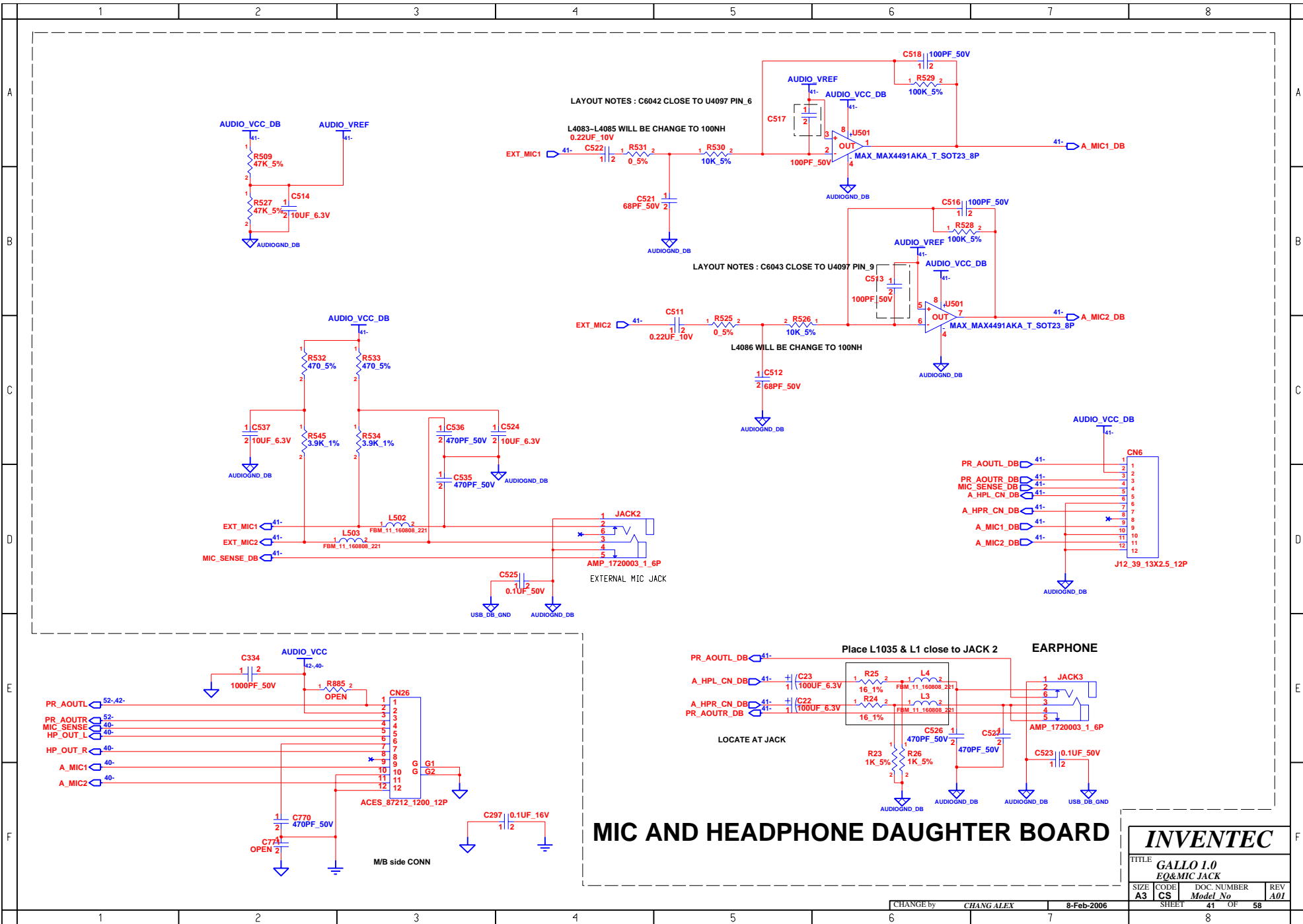
TITLE			
GALLO I.0			
INT.KBC/POINT DEVICES			
SIZE	CODE	DOC. NUMBER	REV
A3	CS	Model No	A01



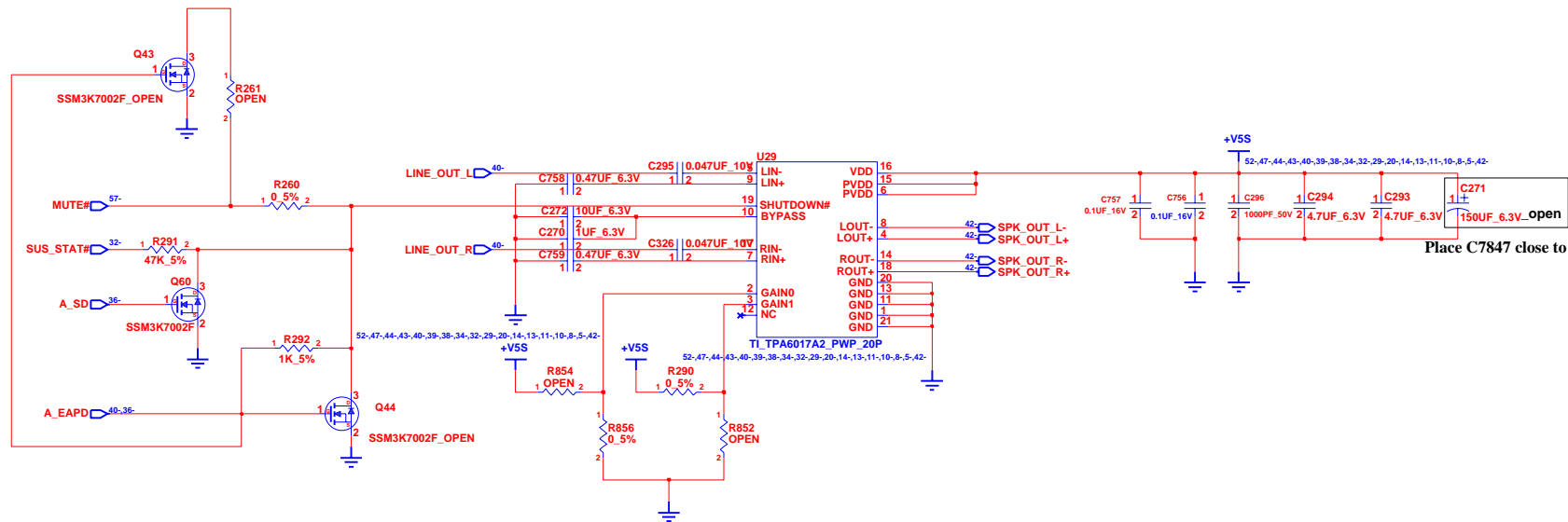
INVENTEC			
TITLE GALLO 1.0 SUPER I/O			
SIZE A3	CODE CS	DOC. NUMBER <i>Model No</i>	REV A01
CHANGE by <i>CHANG ALEX</i>		8-Feb-2006	
SHEET 39		OF 58	



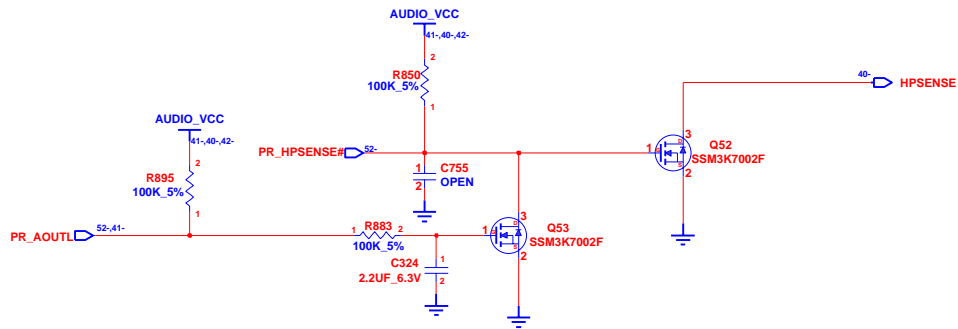
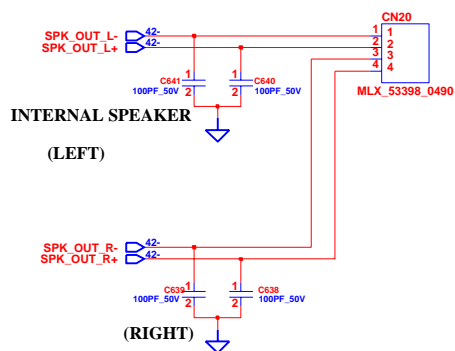
INVENTEC			
TITLE GALLO I.0 AZALIA CODEC			
SIZE A3	CODE CS	DOC. NUMBER <i>Model No</i>	REV A01
CHANGE by <i>CHANG ALEX</i>		8-Feb-2006	
SHEET 40		OF 58	



INVENTEC			
TITLE GALLO I.0 EQ&MIC JACK			
SIZE A3	CODE CS	DOC NUMBER Model No	REV A01
CHANGE by CHANG ALEX		8-Feb-2006	
SHEET 41		OF 58	

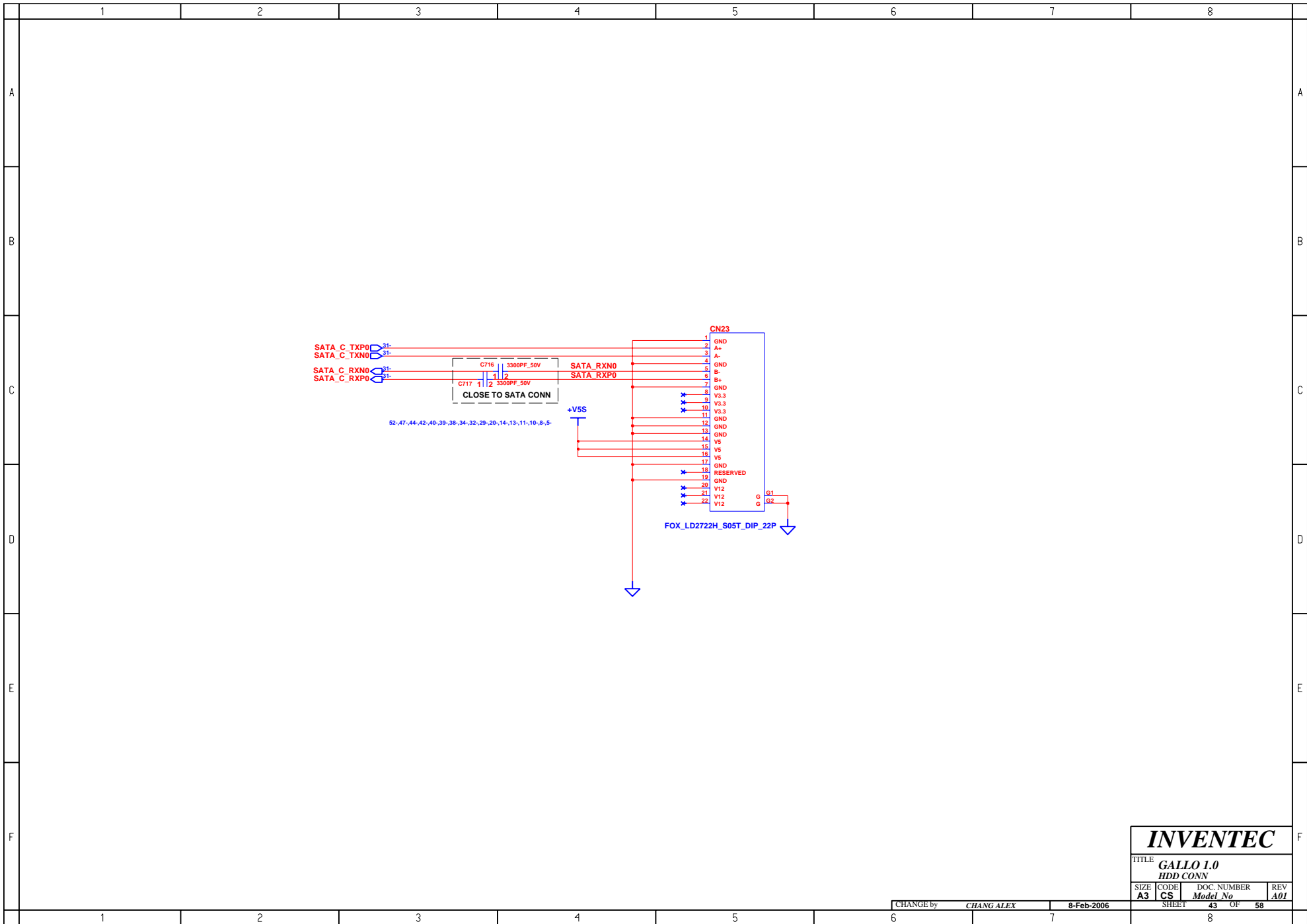


Place C7847 close to U4181.



INVENTEC

TITLE			
GALLO I.0			
AUDIO AMP & HP JACK			
SIZE	CODE	DOC. NUMBER	REV
A3	CS	Model No	A01



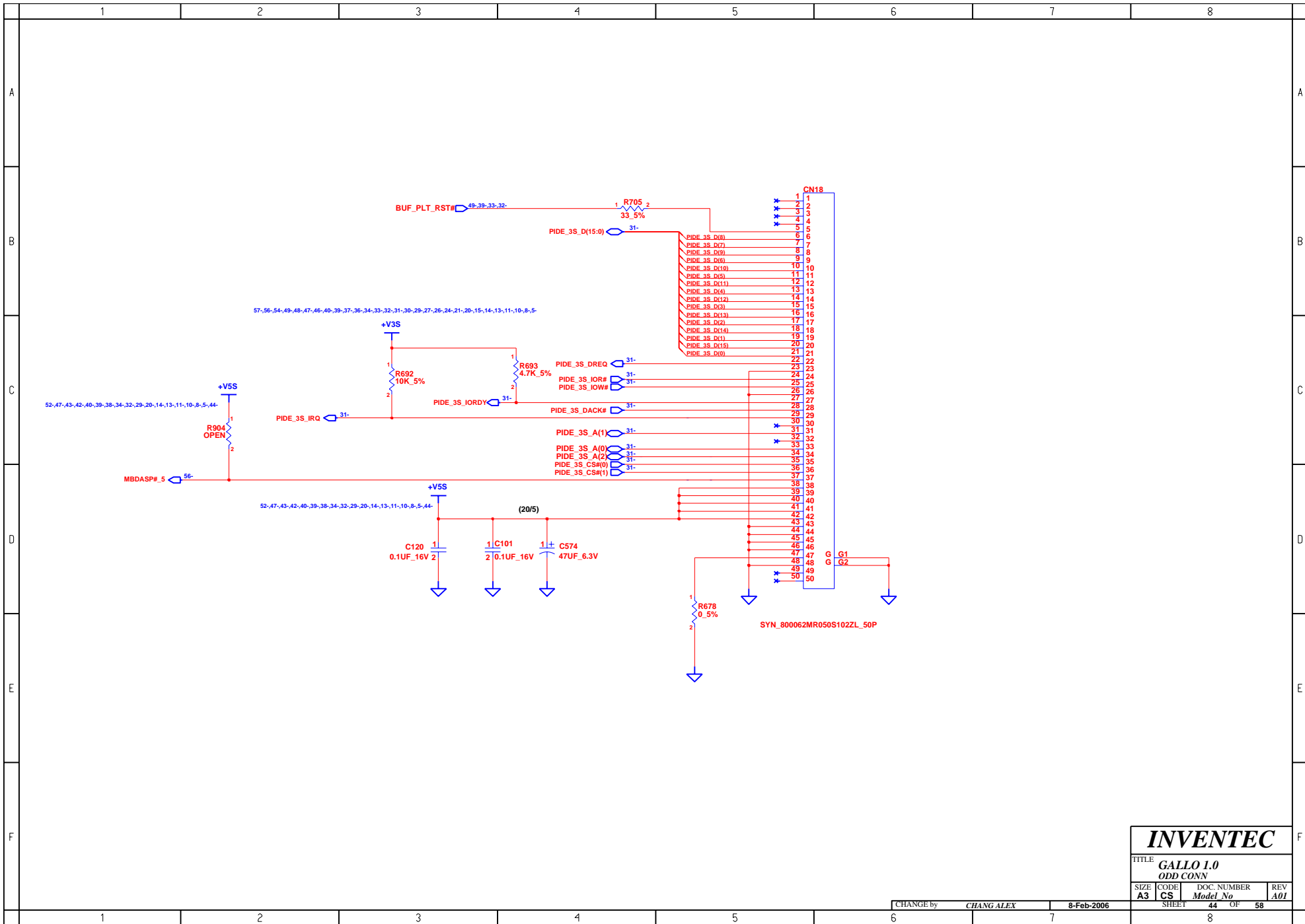
INVENTEC

TITLE **GALLO 1.0**
HDD CONN

SIZE A3	CODE CS	DOC. NUMBER <i>Model No</i>	REV A01
-------------------	-------------------	--------------------------------	-------------------

CHANGE by *CHANG ALEX* 8-Feb-2006

SHEET 43 OF 58

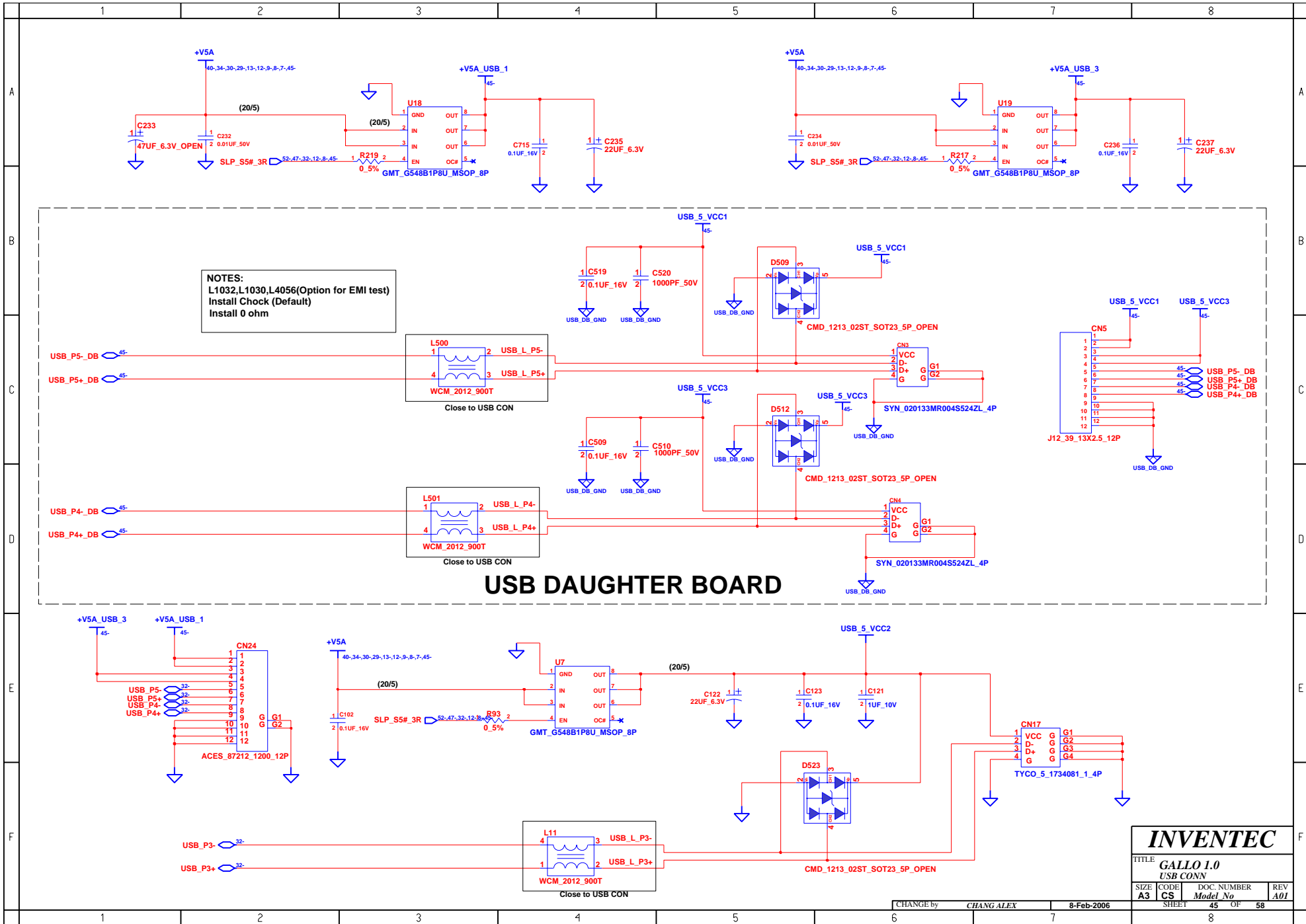


INVENTEC

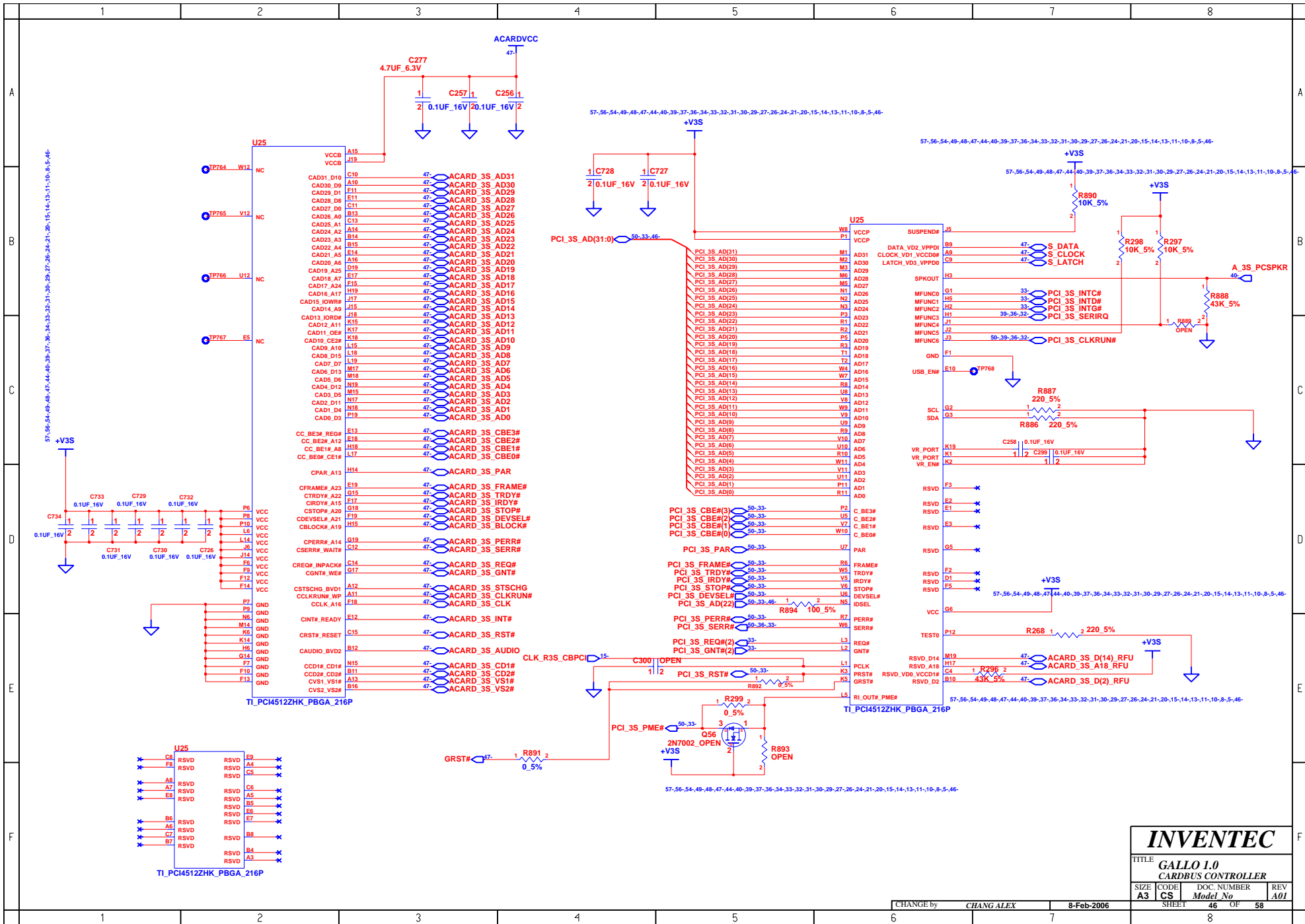
TITLE			
GALLO 1.0			
ODD CONN			
SIZE	CODE	DOC. NUMBER	REV
A3	CS	Model No	A01

CHANGE by **CHANG ALEX** 8-Feb-2006

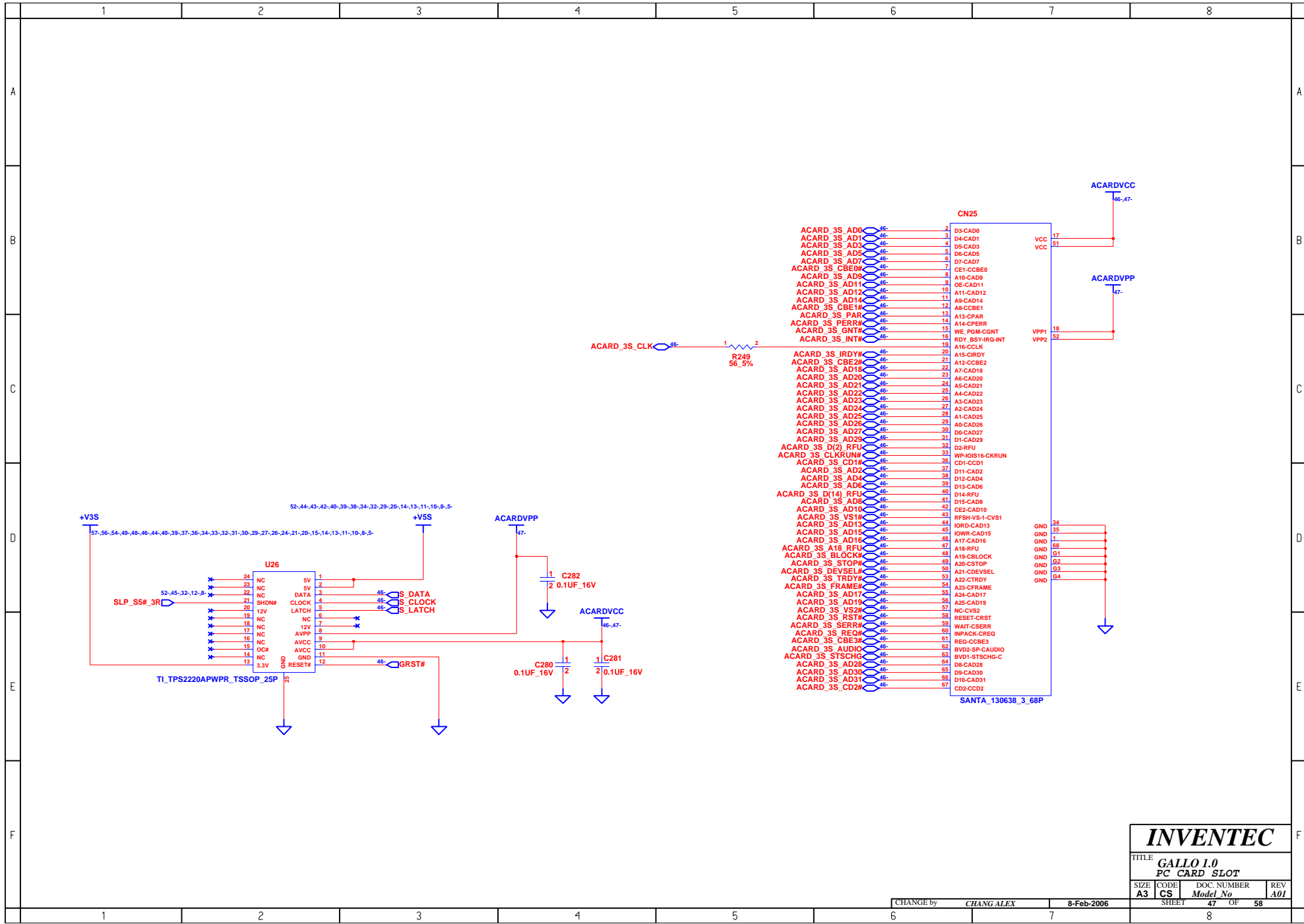
SHEET 44 OF 58



INVENTEC			
TITLE GALLO I.0 USB CONN			
SIZE A3	CODE CS	DOC. NUMBER <i>Model No</i>	REV A01
CHANGE by <i>CHANG ALEX</i>		8-Feb-2006	
SHEET		45 OF 58	



INVENTEC			
TITLE GALLO I.0 CARBUS CONTROLLER			
SIZE A3	CODE CS	DOC. NUMBER Model No	REV A01
CHANGE by CHANG ALEX		8-Feb-2006	
SHEET 46		OF 58	

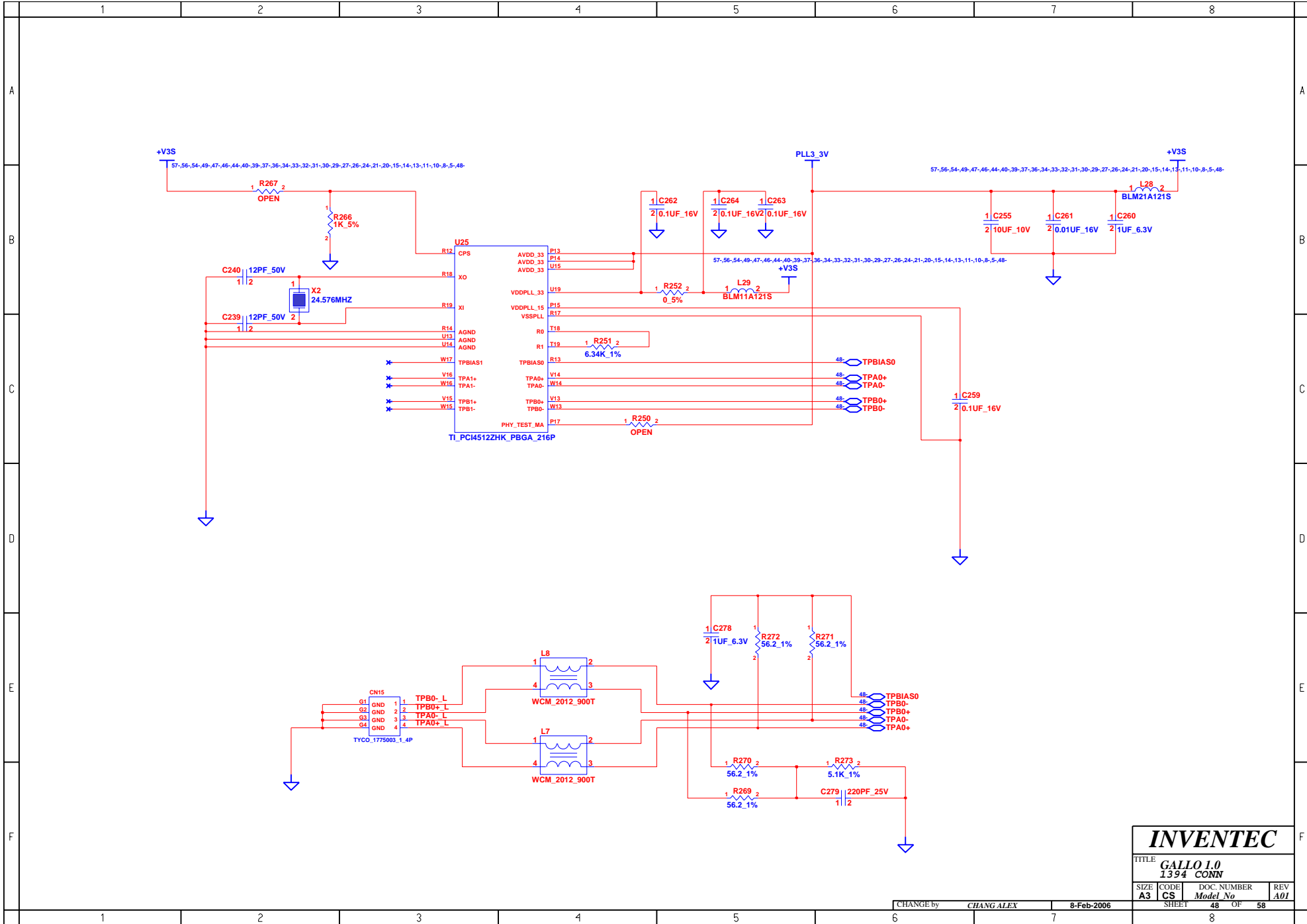


CN25

ACARD_3S_ADD	46	2	D3-CAD0	2
ACARD_3S_AD1	46	3	D4-CAD1	3
ACARD_3S_AD3	46	4	D5-CAD3	4
ACARD_3S_AD5	46	5	D6-CAD5	5
ACARD_3S_AD7	46	6	D7-CAD7	6
ACARD_3S_CBE0#	46	7	CE1-CCBE0	7
ACARD_3S_AD9	46	8	A10-CAD9	8
ACARD_3S_AD11	46	9	DE-CAD11	9
ACARD_3S_AD12	46	10	A11-CAD12	10
ACARD_3S_AD14	46	11	A8-CAD14	11
ACARD_3S_CBE1#	46	12	A8-CBE1	12
ACARD_3S_PAR#	46	13	A13-CPAR	13
ACARD_3S_PERR#	46	14	A14-CPERR	14
ACARD_3S_GNT#	46	15	WE_PGM-CGNT	15
ACARD_3S_INT#	46	16	RDY_BSY-RG-INT	16
		17	A16-CCLK	17
		18	A15-CRDY	18
		19	A12-CCBE2	19
		20	A7-CAD18	20
		21	A6-CAD19	21
		22	A5-CAD21	22
		23	A4-CAD22	23
		24	A3-CAD23	24
		25	A2-CAD24	25
		26	A1-CAD25	26
		27	A0-CAD26	27
		28	D8-CAD27	28
		29	D1-CAD29	29
		30	D2-RFU	30
		31	WP-IOIS16-CKRUN	31
		32	CD1-CCD1	32
		33	D11-CAD2	33
		34	D12-CAD4	34
		35	D13-CAD6	35
		36	D14-RFU	36
		37	D15-CAD8	37
		38	CE2-CAD10	38
		39	RFSH-V5-1-CVS1	39
		40	IRD-CAD15	40
		41	IWR-CAD15	41
		42	A17-CAD16	42
		43	A18-RFU	43
		44	A19-CBCLK	44
		45	A20-CSTOP	45
		46	A21-CDEVSEL	46
		47	A22-CTRDY	47
		48	A23-FRAME	48
		49	A24-CAD17	49
		50	A25-CAD19	50
		51	NC-CVS2	51
		52	RESET-CRST	52
		53	WAIT-CSERR	53
		54	INPACK-CREQ	54
		55	RES-CBE3	55
		56	BVD3-SRCAUDIO	56
		57	BVD1-STSCHG-C	57
		58	D8-CAD28	58
		59	D9-CAD30	59
		60	D10-CAD31	60
		61	CD2-CCD2	61

SANTA_130638_3_68P

INVENTEC			
TITLE GALLO 1.0 PC CARD SLOT			
SIZE A3	CODE CS	DOC. NUMBER Model No	REV A01
CHANGE by CHANG ALEX		8-Feb-2006	SHEET 47 OF 58

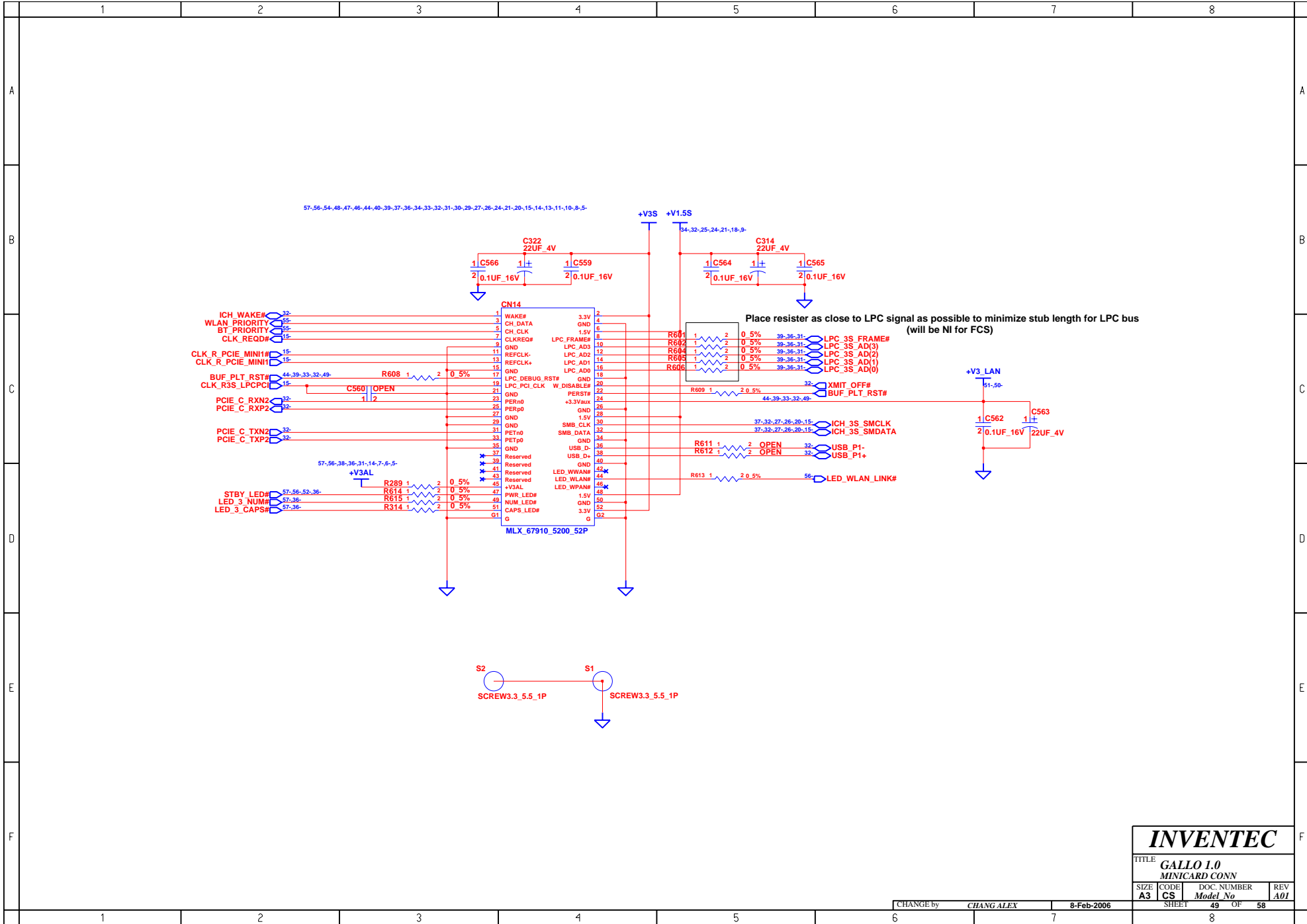


INVENTEC

TITLE
GALLO 1.0
1394 CONN

SIZE A3	CODE CS	DOC NUMBER Model No	REV A01
-------------------	-------------------	------------------------	-------------------

CHANGE by **CHANG ALEX** 8-Feb-2006 SHEET 48 OF 58



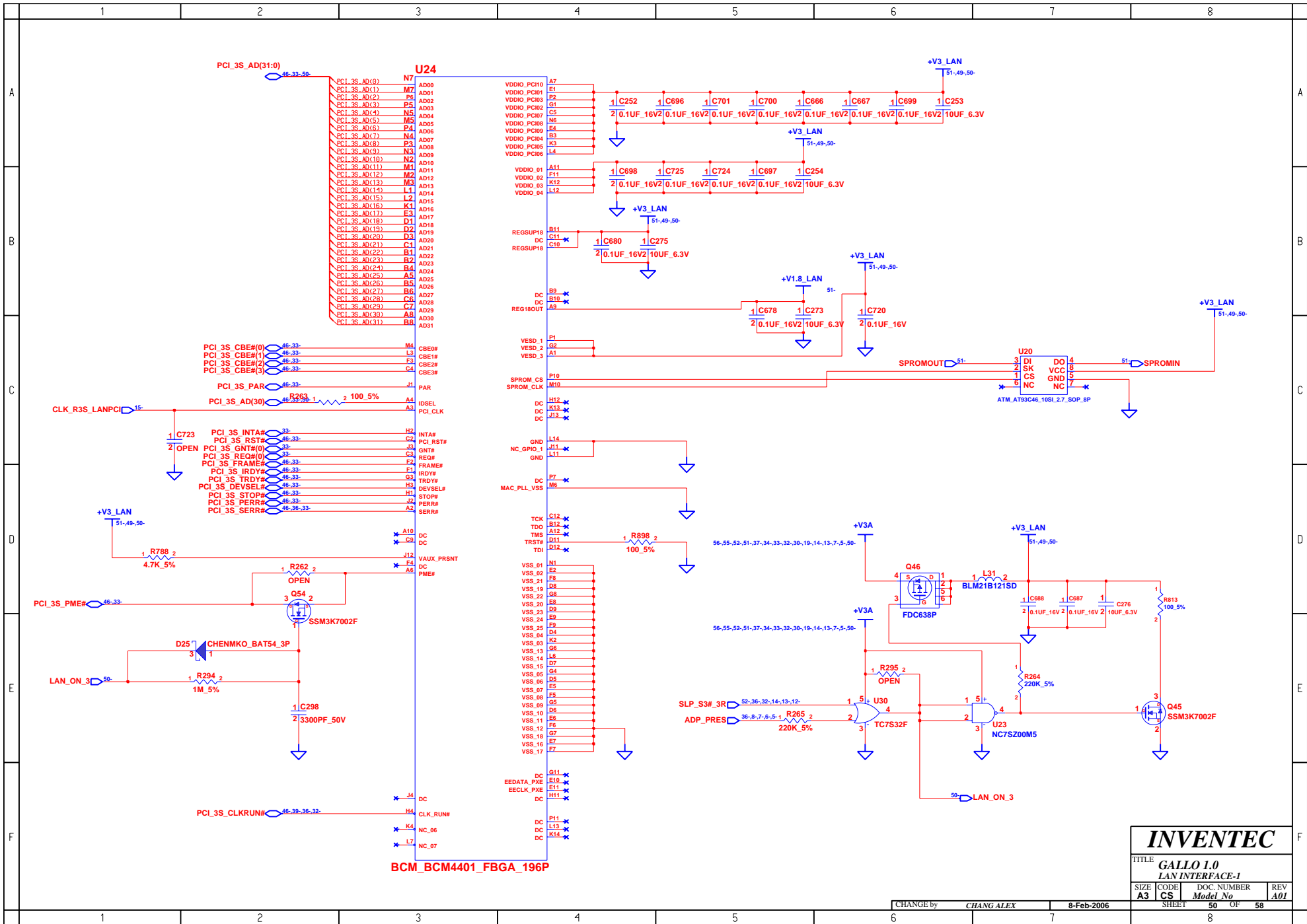
INVENTEC

TITLE GALLO I.0
MINICARD CONN

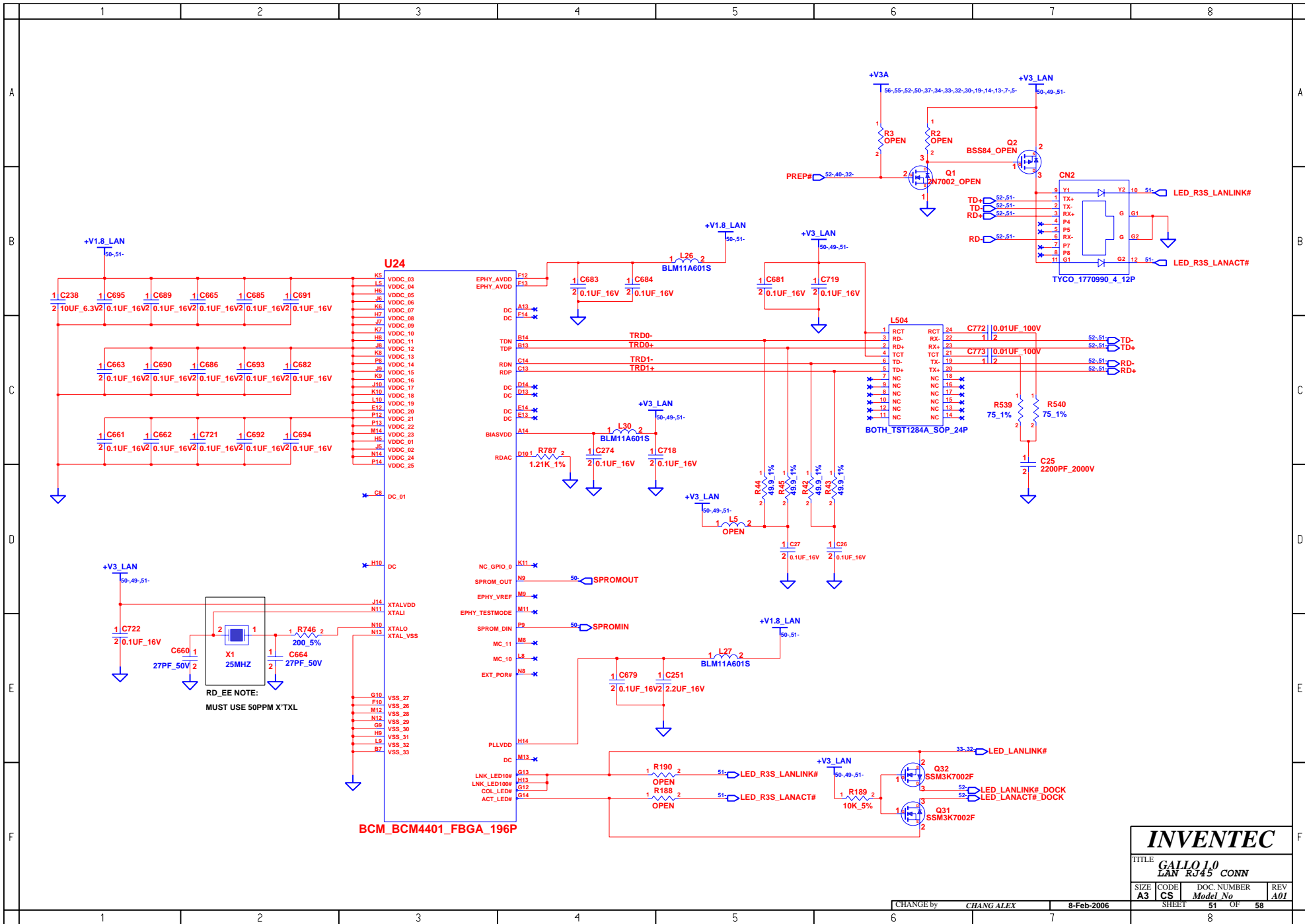
SIZE A3	CODE CS	DOC. NUMBER Model No	REV A01
---------	---------	----------------------	---------

CHANGE by CHANG ALEX 8-Feb-2006

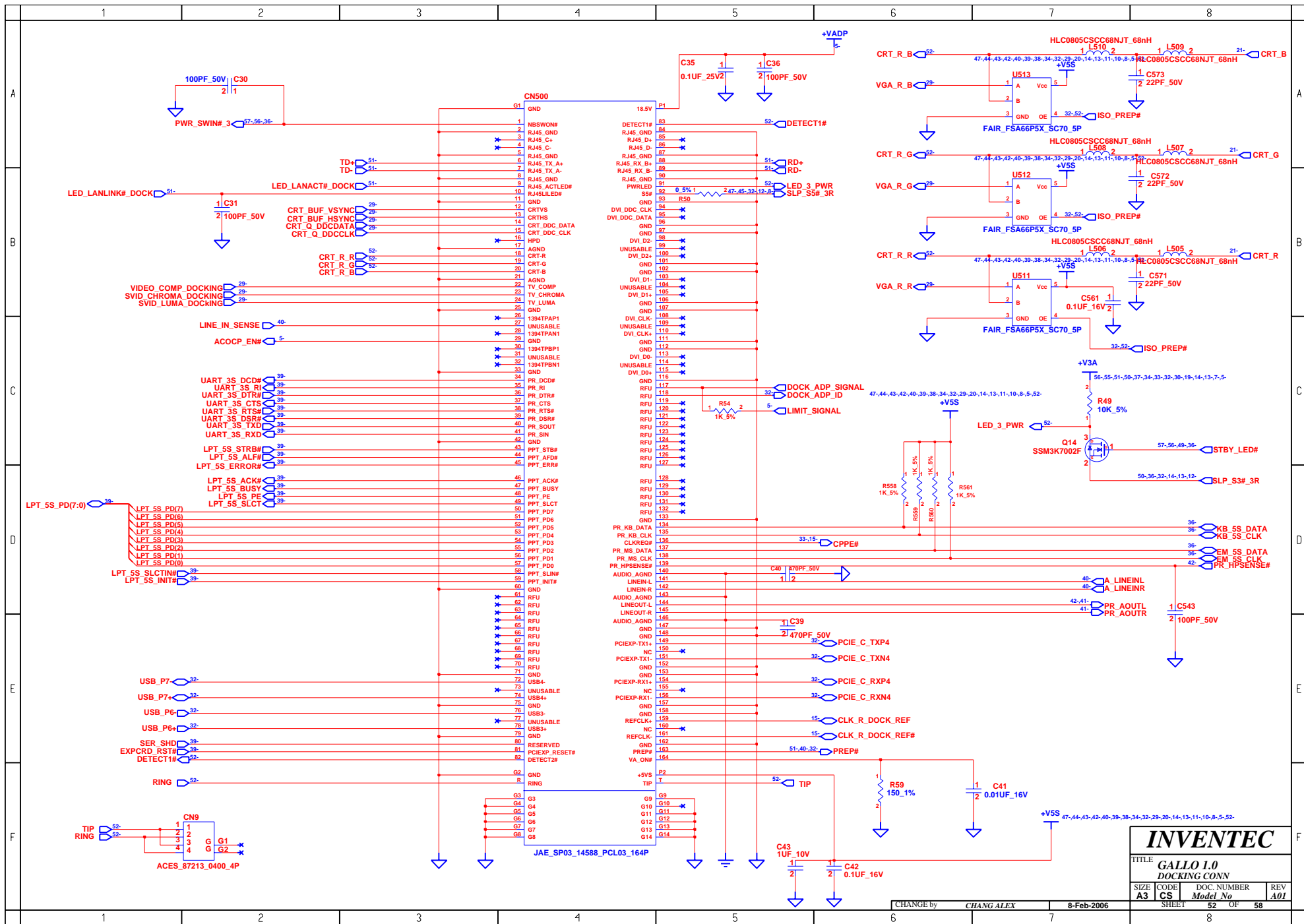
SHEET 49 OF 58



INVENTEC			
TITLE GALLO I.0 LAN INTERFACE-1			
SIZE A3	CODE CS	DOC. NUMBER Model No	REV A01
CHANGE by CHANG ALEX		8-Feb-2006	
SHEET 50		OF 58	



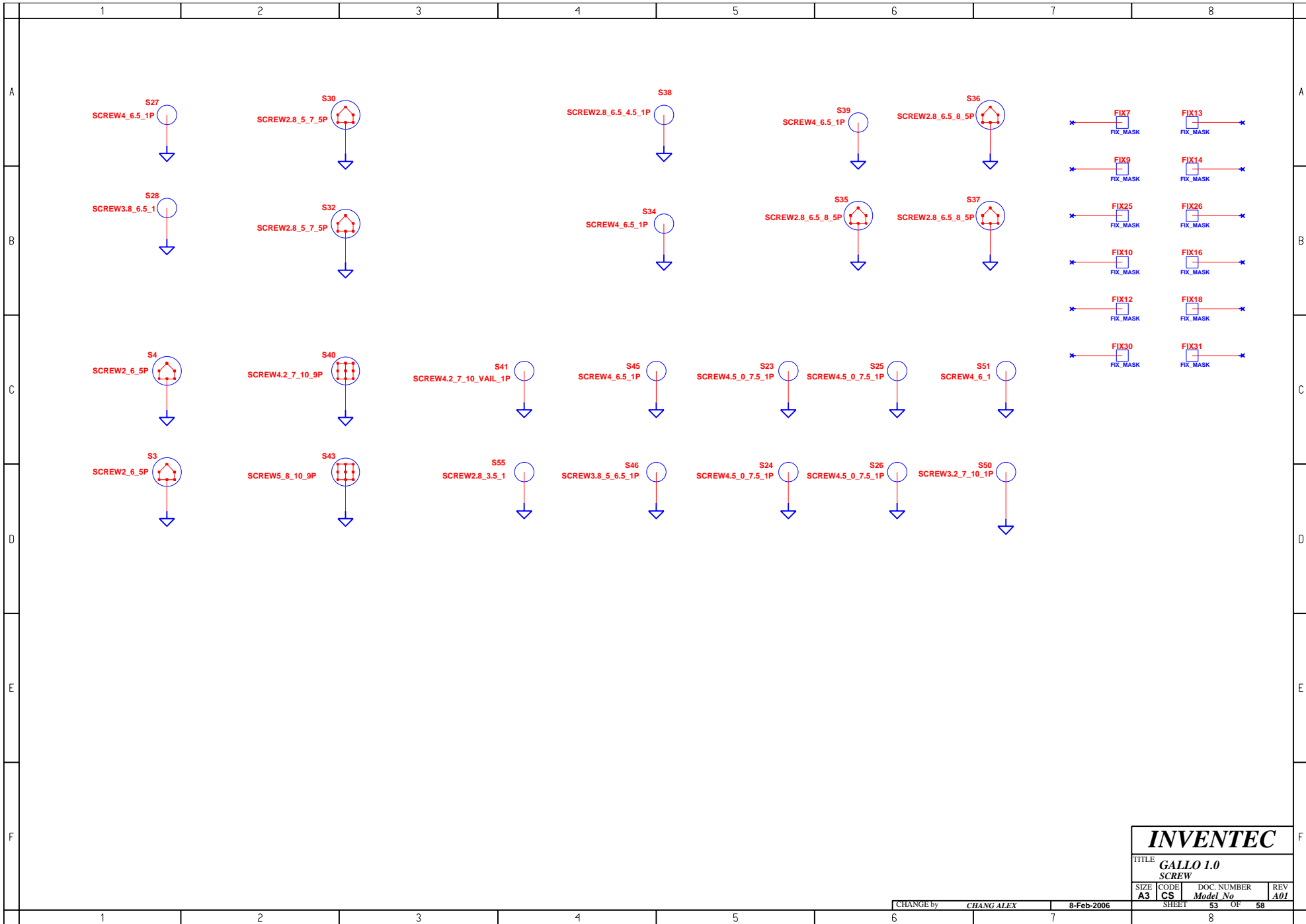
INVENTEC			
TITLE GALLO10 LAN R345 CONN			
SIZE A3	CODE CS	DOC. NUMBER <i>Model No</i>	REV A01
CHANGE by <i>CHANG ALEX</i>		8-Feb-2006	
SHEET 51		OF 58	



INVENTEC

TITLE
**GALLO I.0
DOCKING CONN**

SIZE A3	CODE CS	DOC NUMBER <i>Doc No</i>	REV A01
SHEET 52		OF 58	

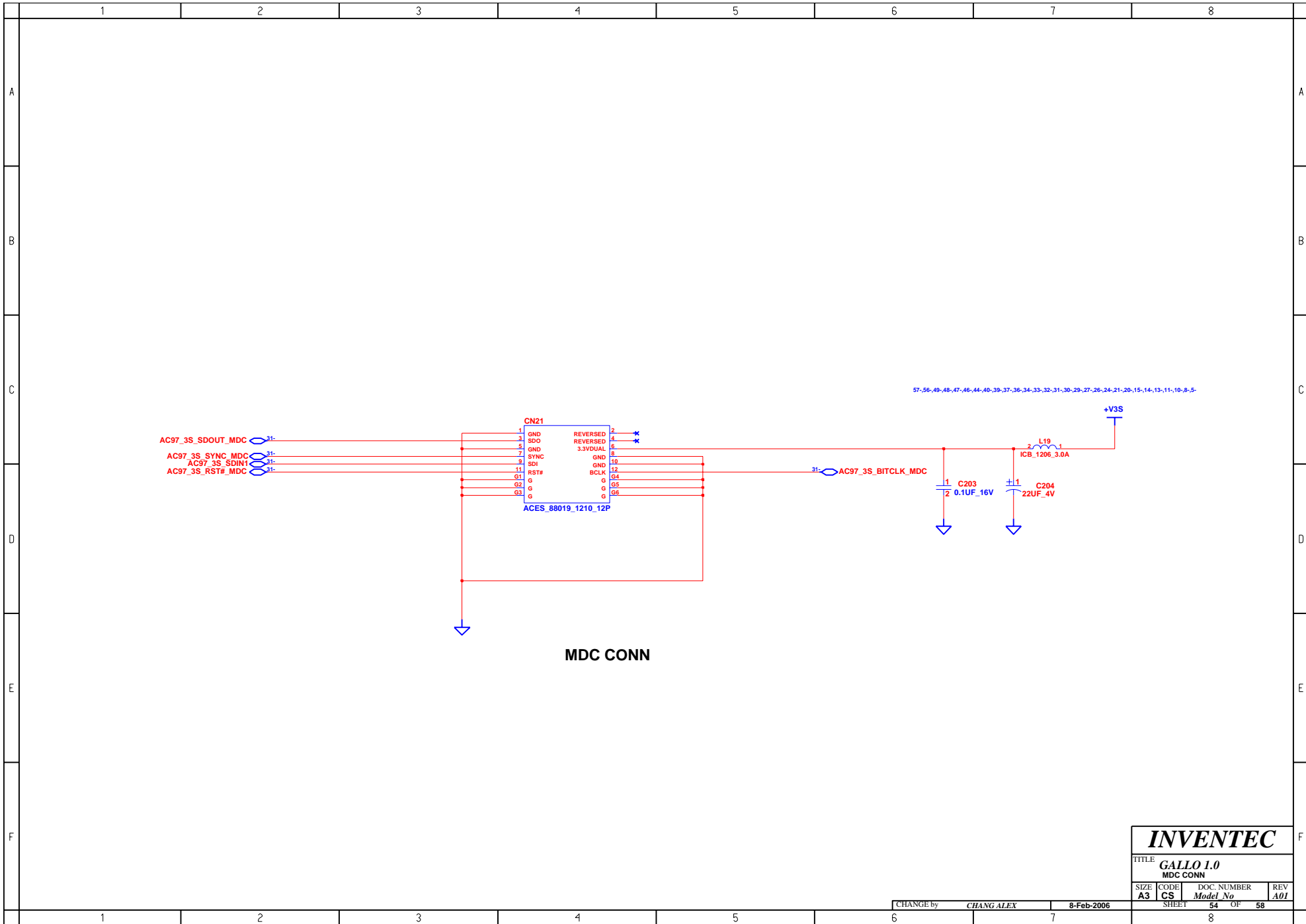


INVENTEC

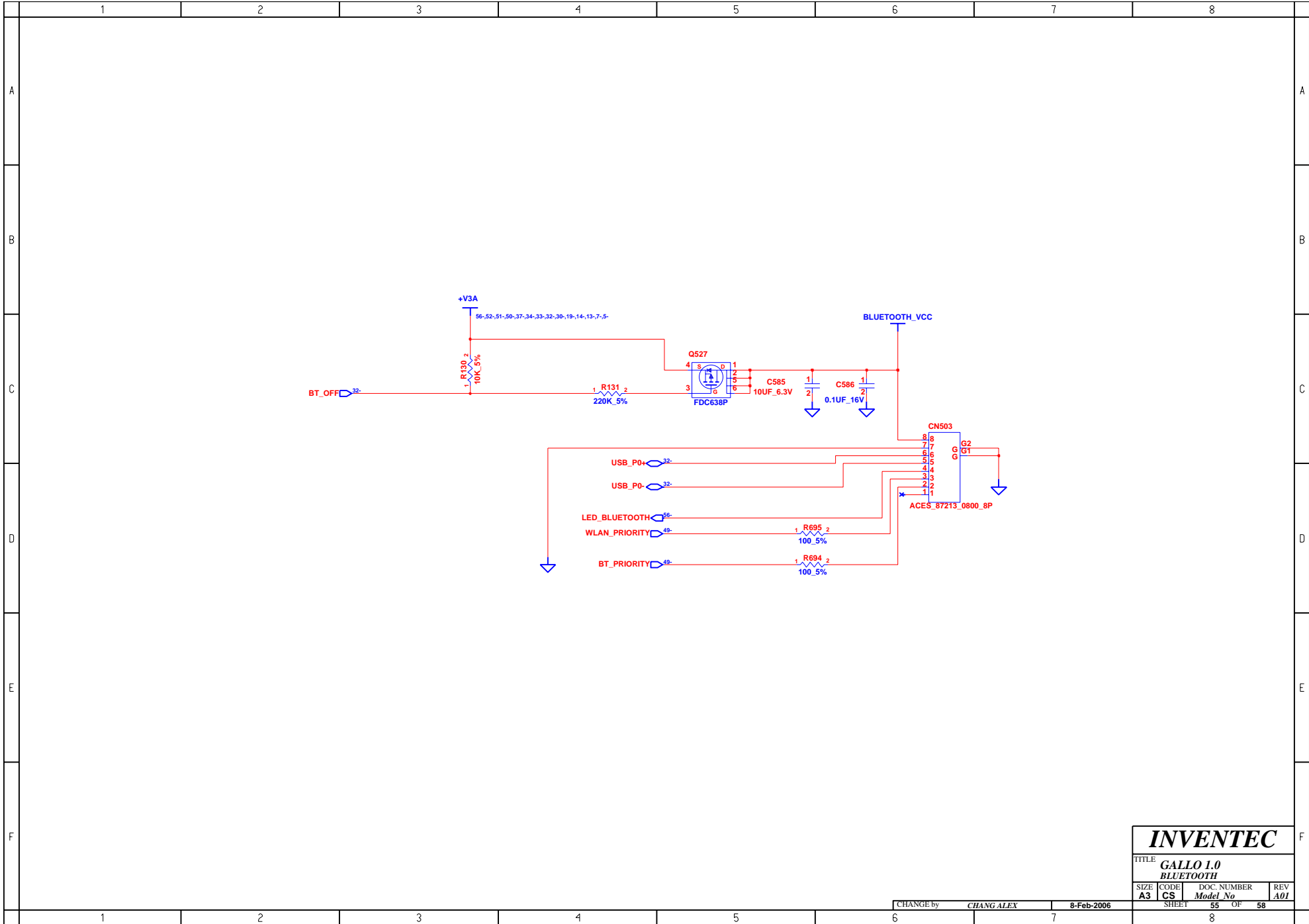
TITLE GALLO 1.0
SCREW

SIZE	CODE	DOC. NUMBER	REV
A3	CS	Model No	A01

CHANGE by CHANG ALEX 8-Feb-2006 SHEET 53 OF 58



INVENTEC			
TITLE GALLO 1.0			
MDC CONN			
SIZE	CODE	DOC. NUMBER	REV
A3	CS	Model No	A01
CHANGE by		8-Feb-2006	SHEET 54 OF 58
6		7	8

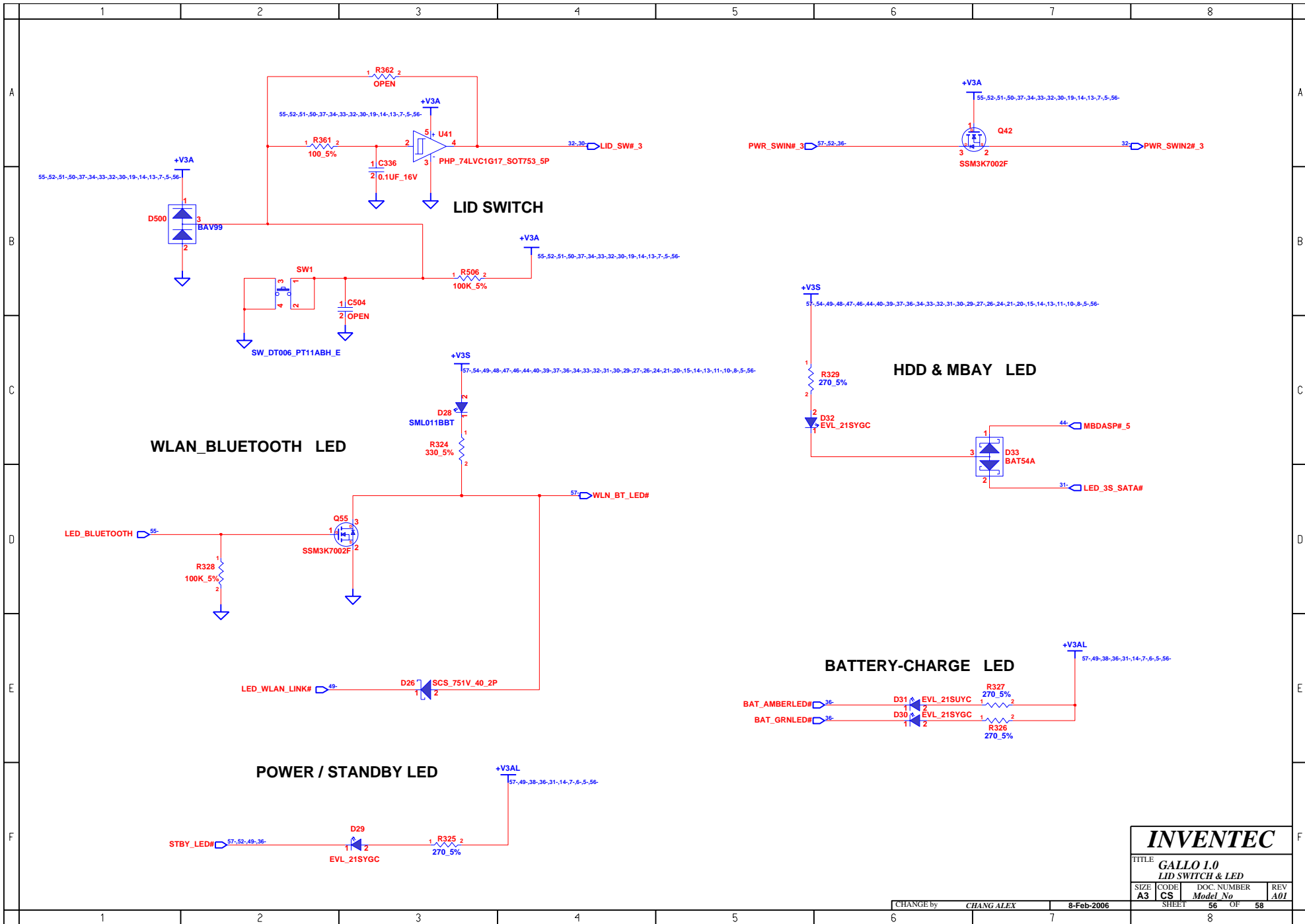


INVENTEC

TITLE **GALLO 1.0
BLUETOOTH**

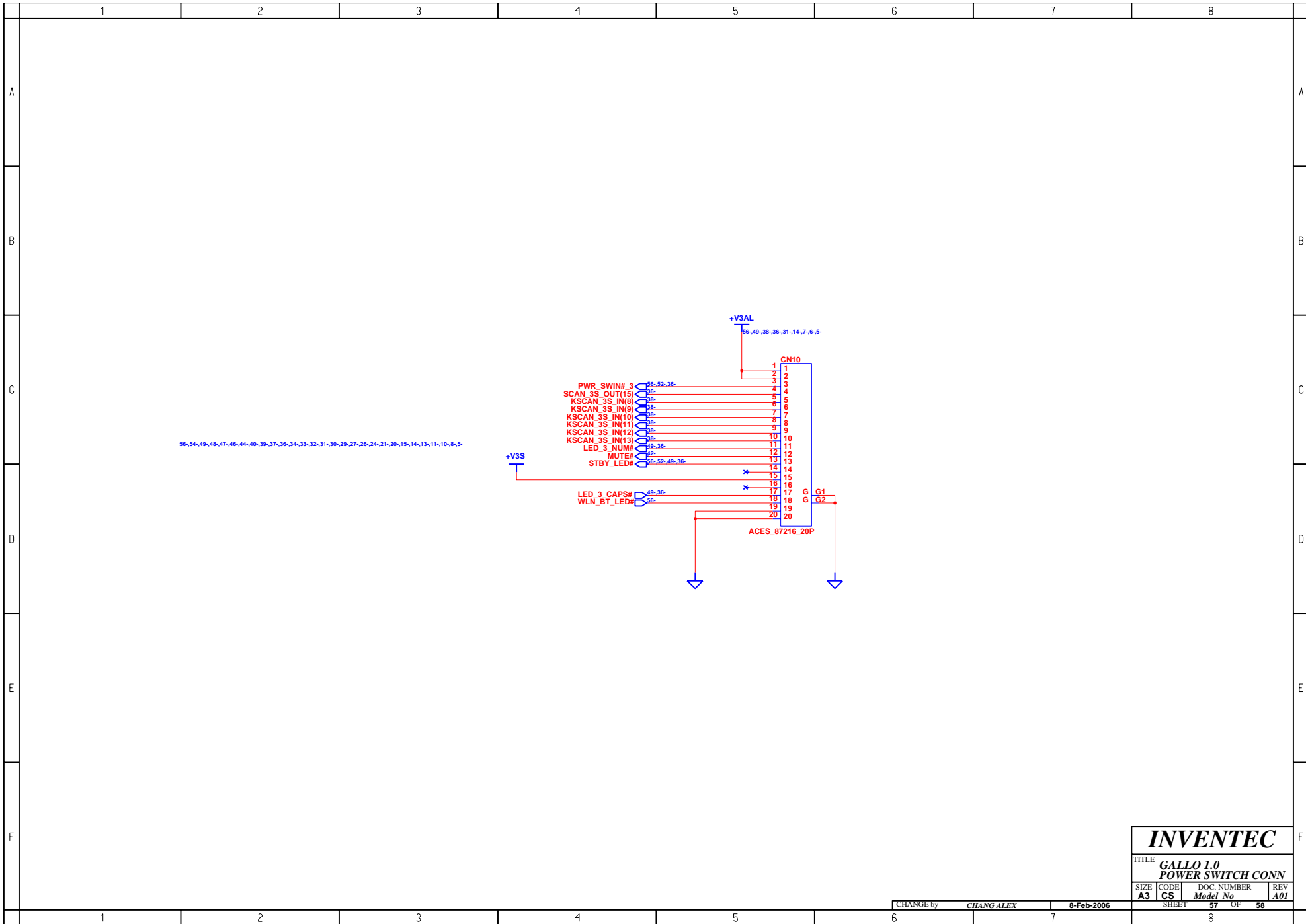
SIZE	CODE	DOC. NUMBER	REV
A3	CS	Model No	A01

CHANGE by	CHANG ALEX	8-Feb-2006
-----------	------------	------------



INVENTEC

TITLE			
GALLO 1.0			
LID SWITCH & LED			
SIZE	CODE	DOC. NUMBER	REV
A3	CS	Model No	A01



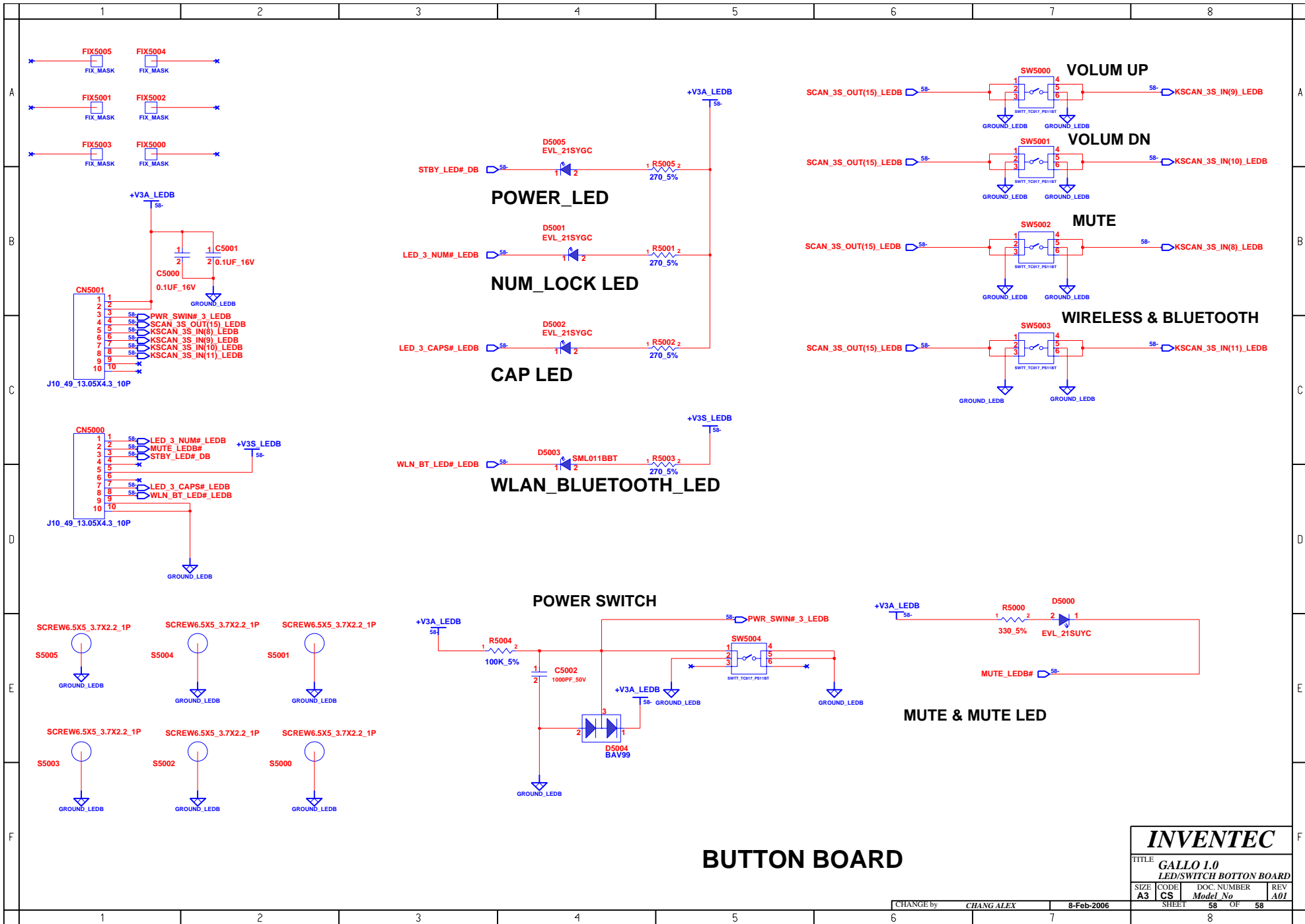
INVENTEC

TITLE
**GALLO 1.0
POWER SWITCH CONN**

SIZE A3	CODE CS	DOC. NUMBER <i>Model No</i>	REV A01
-------------------	-------------------	--------------------------------	-------------------

CHANGE by *CHANG ALEX* 8-Feb-2006

SHEET 57 OF 58



BUTTON BOARD

INVENTEC

TITLE			
GALLO 1.0			
LED/SWITCH BOTTON BOARD			
SIZE	CODE	DOC. NUMBER	REV
A3	CS	Model No	A01

CHANGE by CHANG ALEX 8-Feb-2006

SHEET 58 OF 58