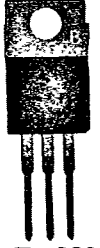



61 DE 1989963 0000195 8

**POWER DARLINGTON TRANSISTORS (EPOXY)**T-33-31  
T-33-33**Ic = 6.0A****OPERATING AND STORAGE TEMPERATURE -65° to +150°C**

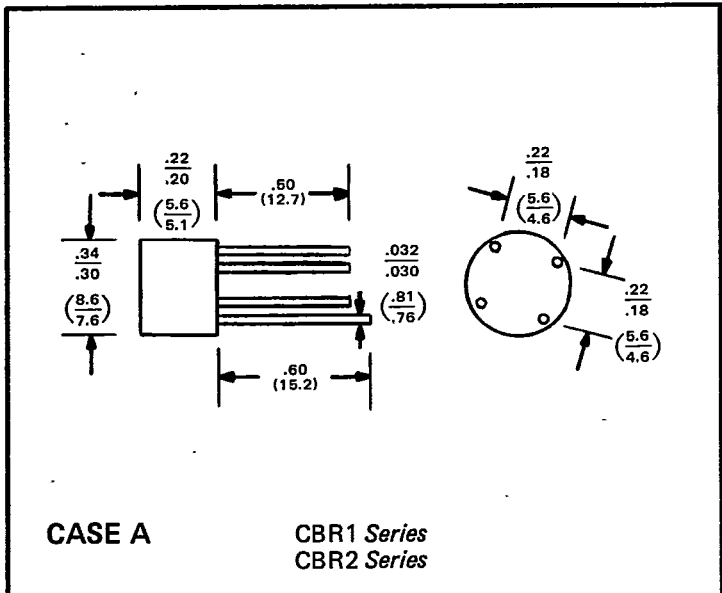
TYPE NO.		Ic	VCEO	PD (Max) TC=25°C	hFE @ Ic		VCE(S) @ Ic		ft Min	CASE
NPN	PNP	Amps	Volts	Watts	Min - Max	Amps	Volts	Amps	MHZ	
BDW23	BDW24	6.0	45	50	750 - 20,000	2.0	2.0	2.0	-	 To-220
BDW23A	BDW24A	6.0	60	50	750 - 20,000	2.0	2.0	2.0	-	
BDW23B	BDW24B	6.0	80	50	750 - 20,000	2.0	2.0	2.0	-	
BDW23C	BDW24C	6.0	100	50	750 - 20,000	2.0	2.0	2.0	-	
BDX53E	BDX54E	6.0	140	60	500 -	2.0	2.0	2.0	-	
BDX53F	BDX54F	6.0	160	60	500 -	2.0	2.0	2.0	-	

**Ic = 8.0A****OPERATING AND STORAGE TEMPERATURE -65° to +150°C**

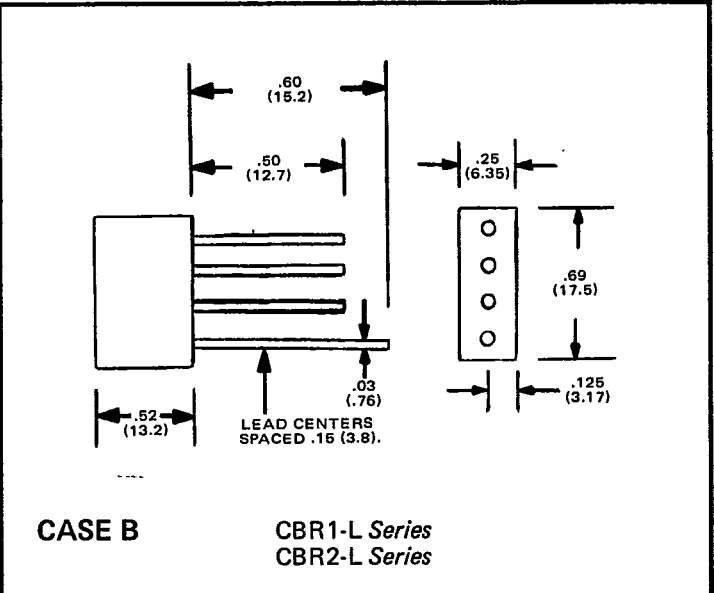
TYPE NO.		Ic	VCEO	PD (Max) TC=25°C	hFE @ Ic		VCE(S) @ Ic		ft Min	CASE
NPN	PNP	Amps	Volts	Watts	Min - Max	Amps	Volts	Amps	MHZ	
2N6386	2N6666	8.0	40	65	1,000 - 20,000	3.0	2.0	3.0	-	 To-220
2N6530		8.0	80	65	1,000 - 10,000	5.0	2.0	5.0	-	
2N6531		8.0	100	65	1,000 - 10,000	3.0	3.0	3.0	-	
2N6532		8.0	100	65	1,000 - 10,000	5.0	2.0	5.0	-	
2N6533		8.0	120	65	1,000 - 10,000	3.0	3.0	3.0	-	
BDX53	BDX54	8.0	45	60	750 -	3.0	2.0	3.0	-	
BDX53A	BDX54A	8.0	60	60	750 -	3.0	2.0	3.0	-	
BDX53B	BDX54B	8.0	80	60	750 -	3.0	2.0	3.0	-	
BDX53C	BDX54C	8.0	100	60	750 -	3.0	2.0	3.0	-	
BU806		8.0	200	60	100 -	5.0	1.5	5.0	-	
BU807		8.0	150	60	100 -	5.0	1.5	5.0	-	
TIP100	TIP105	8.0	60	80	1,000 -	3.0	2.0	3.0	-	
TIP101	TIP106	8.0	80	80	1,000 -	3.0	2.0	3.0	-	
TIP102	TIP107	8.0	100	80	1,000 -	3.0	2.0	3.0	-	
TIP120	TIP125	8.0	60	65	1,000 -	3.0	2.0	3.0	-	
TIP121	TIP126	8.0	80	65	1,000 -	3.0	2.0	3.0	-	
TIP122	TIP127	8.0	100	65	1,000 -	3.0	2.0	3.0	-	
TIP130	TIP135	8.0	60	70	1,000 -	4.0	2.0	4.0	-	
TIP131	TIP136	8.0	80	70	1,000 -	4.0	2.0	4.0	-	
TIP132	TIP137	8.0	100	70	1,000 -	4.0	2.0	4.0	-	

# CASE OUTLINE DRAWINGS

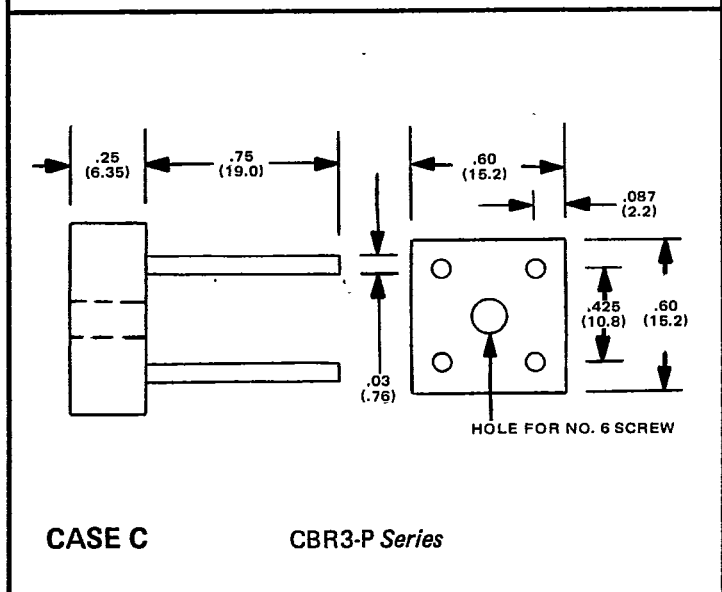
D



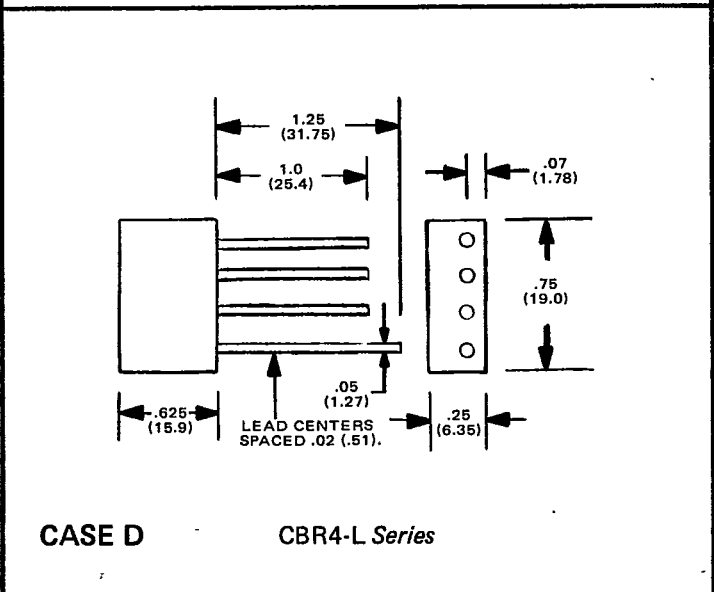
**CASE A**      CBR1 Series  
CBR2 Series



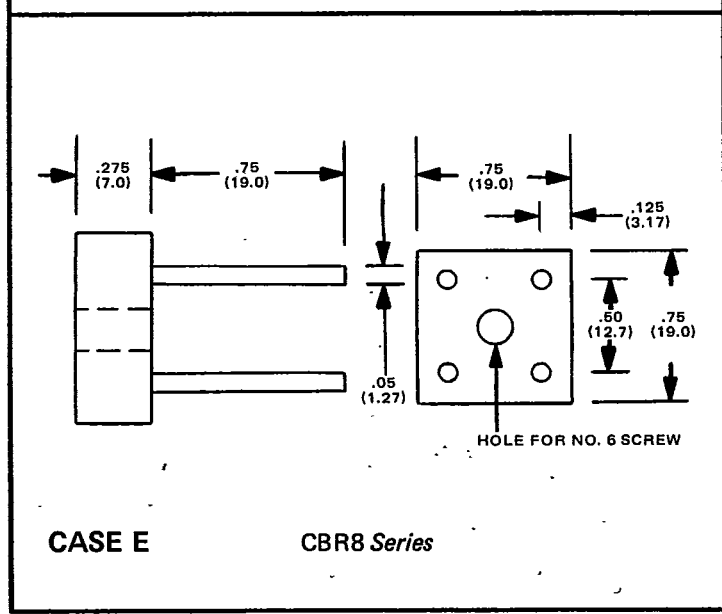
**CASE B**      CBR1-L Series  
CBR2-L Series



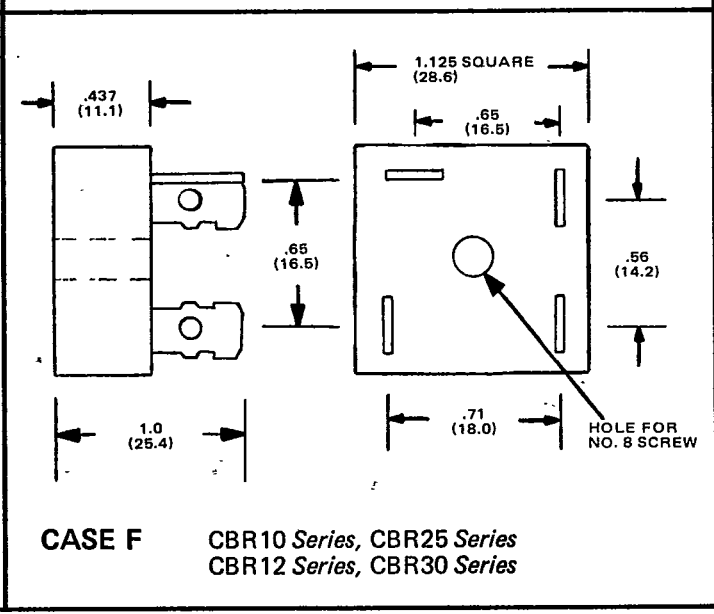
**CASE C**      CBR3-P Series



**CASE D**      CBR4-L Series



**CASE E**      CBR8 Series



**CASE F**      CBR10 Series, CBR25 Series  
CBR12 Series, CBR30 Series

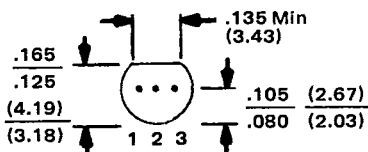
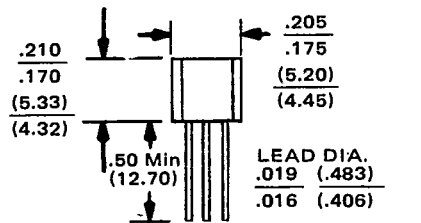
All Dimensions in Inches (Millimeters)  
Drawings Not To Scale

f

CASE OUTLINE DRAWINGS

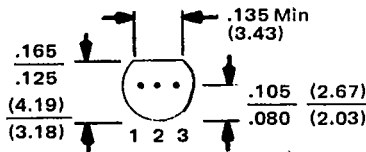
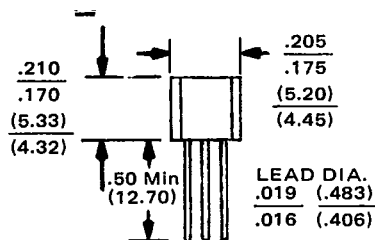
T-33-31  
T-33-33

D



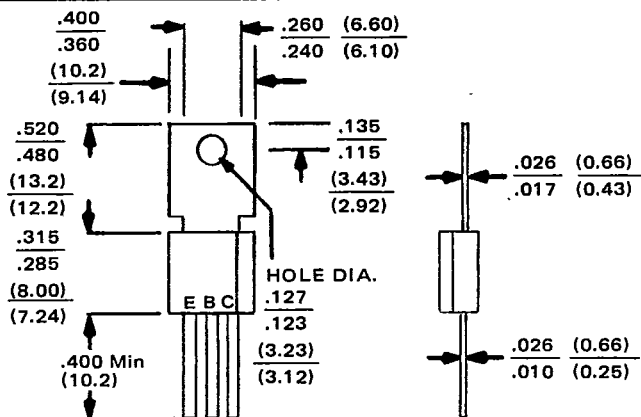
LEAD CENTERS SPACED  
.055 (1.40)  
.045 (1.14)

To-92(ECB)



LEAD CENTERS SPACED  
.055 (1.40)  
.045 (1.14)

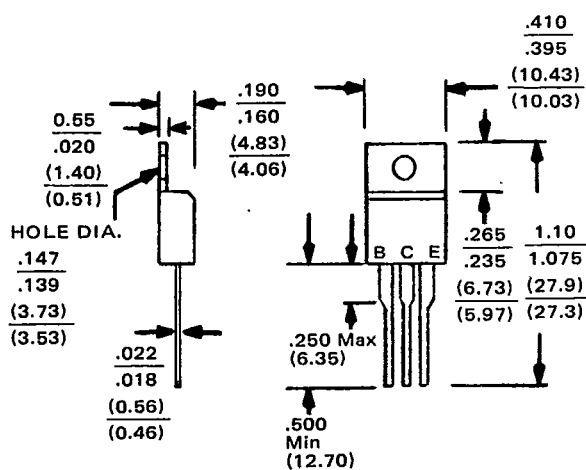
To-92(EBC)



LEAD CENTERS SPACED  
.105 (2.67)  
.095 (2.41)

LEAD WIDTH  
.055 (1.41)  
.045 (1.14)

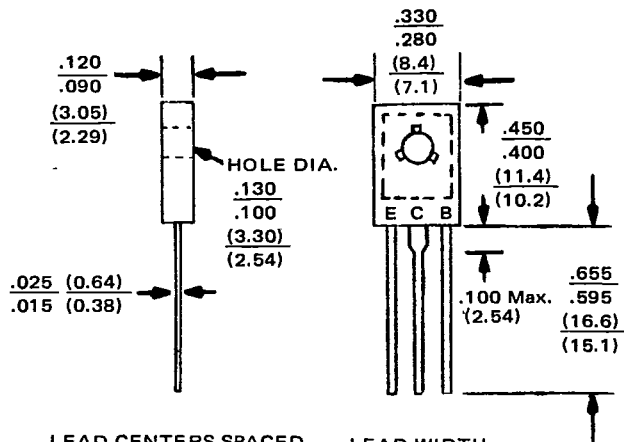
To-202



LEAD CENTERS SPACED  
.105 (2.67)  
.095 (2.41)

LEAD WIDTH  
.032 (0.81)

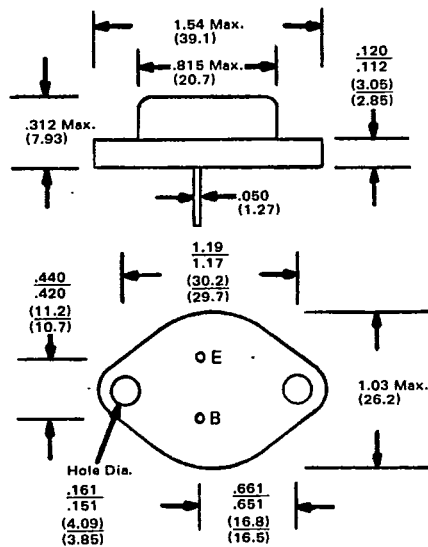
To-220AB



LEAD CENTERS SPACED  
.100 (2.54)  
.080 (2.03)

LEAD WIDTH  
.035 (0.89)  
.025 (0.64)

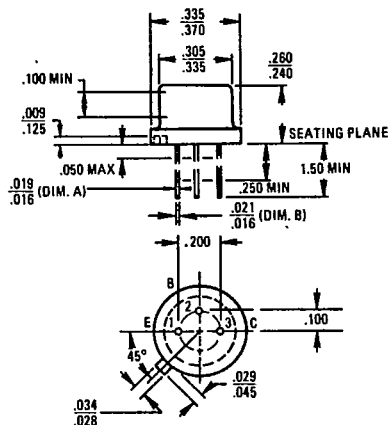
To-126



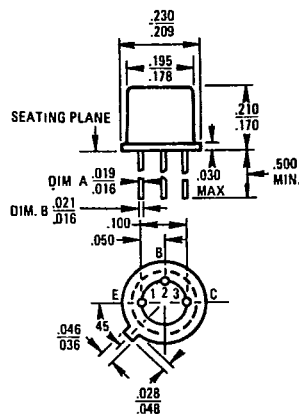
To-3

# MECHANICAL OUTLINE DRAWINGS

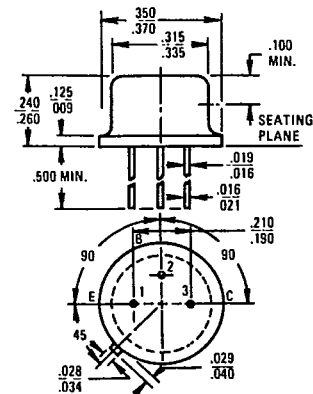
### TO-5



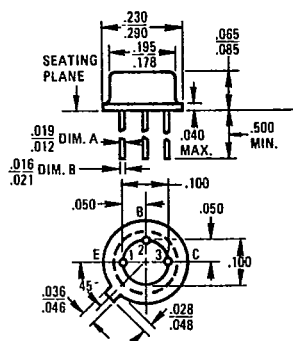
### TO-18



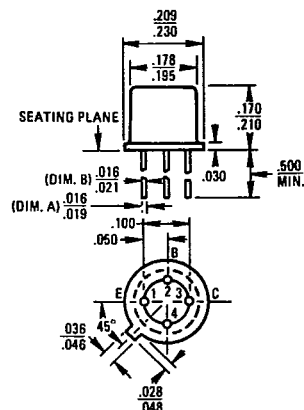
### TO-39



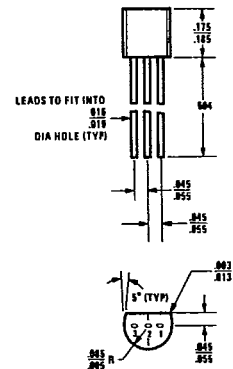
### TO-46



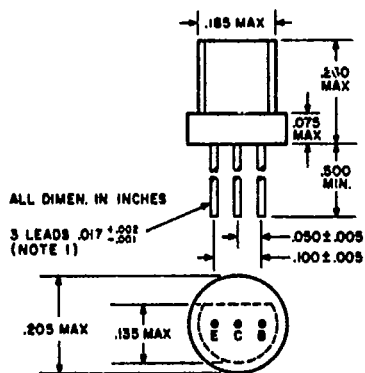
### TO-72



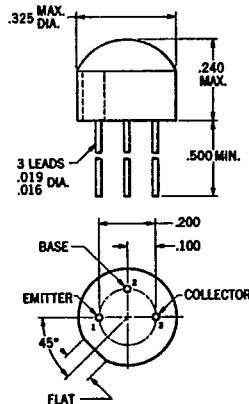
### TO-92



### TO-98



### TO-105



### TO-106

