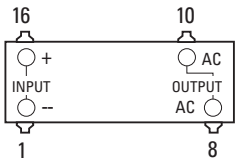
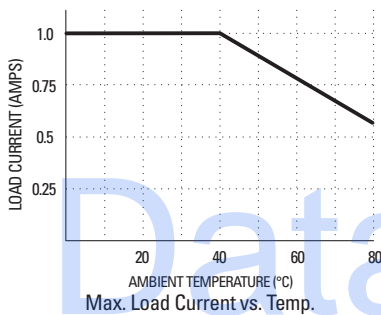


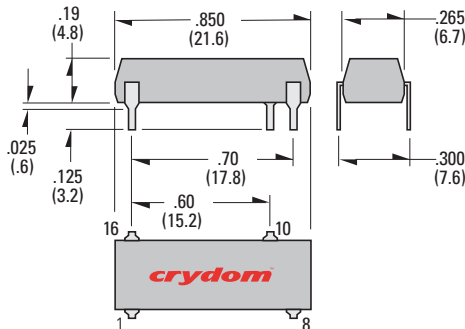
- Compact for High Density PCB Mount
- DC Control
- SCR Output
- Zero Cross Switching

The Series DPA solid state relays are rated at 1.0 Amp RMS at ambient temperatures up to 40°C. The compact 16 pin DIP package is perfect for high density printed circuit boards. The DPA is offered in your choice of either voltage or current operated versions. Manufactured in Crydom's ISO 9001 Certified facility for optimum product performance and reliability.

CURRENT DERATING CURVE



PIN 8: AC LOAD
PIN 10: AC LOAD
PIN 16: +DC CONTROL
PIN 1: -DC CONTROL



All dimensions are in inches (millimeters)

MODEL NO.	DPA4111	DPA4119	DPA6111	DPA6119
INPUT SPECIFICATIONS ①				
Control Voltage Range	—	3.5-10 Vdc	—	3.5-10 Vdc
Control Current Range	10-35 mA	—	10-35 mA	—
Nominal Input Impedance	—	270 Ohm	—	270 Ohm
Typical Input Current @ 5 Vdc	—	15 mAdc	—	15 mAdc
Must Turn On Voltage	—	3.5 Vdc	—	3.5 Vdc
Must Turn On Current	10 mA	—	10 mA	—
Must Turn Off Voltage	—	1.0Vdc	—	1.0Vdc
Must Turn Off Current	1 mA	—	1 mA	—
OUTPUT SPECIFICATIONS ①				
Operating Voltage Range (47-63 Hz)	20-140 Vrms	—	20-280 Vrms	—
Load Current Range	—	.025 - 1.0 Arms	—	—
Transient Over-Voltage	400 Vpk	—	600 Vpk	—
Max. Surge Current, (16.6ms)	—	30 Apk	—	—
Min. Off-State dv/dt @ Max. Rated Voltage ③	—	500 V/μsec	—	—
Max. Off-State Leakage @ Rated Voltage	—	.01 mArms	—	—
Max. On-State Voltage Drop @ Rated Current	—	1.2 Vpk	—	—
Max. Turn-On Time	—	1/2 cycle	—	—
Max. Turn-Off Time	—	1/2 cycle	—	—
Power Factor (Min.) Wlth Max. Load	—	0.5	—	—
GENERAL SPECIFICATIONS				
Dielectric Strength ②	—	3750 Vrms	—	—
Insulation Resistance (Min.) @ 500 Vdc ②	—	10 ⁹ Ohm	—	—
Max. Capacitance, Input-Output	—	2.0 pF	—	—
Ambient Operating Temperature Range	—	-30 to 80°C	—	—
Ambient Storage Temperature Range	—	-30 to 125°C	—	—
MECHANICAL SPECIFICATIONS				
Weight: (typical)	—	.10 oz. (2.9 g)	—	—
Encapsulation:	—	Thermally Conductive Epoxy	—	—

GENERAL NOTES

- ① All parameters at 25°C unless otherwise specified.
- ② Dielectric and insulation resistance are measured between input and output.
- ③ Off-State dv/dt test method per EIA/NARM standard RS-443.

APPROVALS

UL E116950
CSA LR81689



For recommended applications and more information contact:

USA: Sales Support (877) 502-5500 Tech Support (877) 702-7700 FAX (619) 710-8540
Crydom Inc., 2320 Paseo de las Americas, Ste. 201, San Diego, CA 92154

Email: sales@crydom.com WEB SITE: http://www.crydom.com

UK: +44 (0)1202 606030 • FAX +44 (0)1202 606035 Crydom SSR Ltd., Arena Business Centre, Holyrood Close, Poole, Dorset BH17 7FJ, Email: intsales@crydom.com.

GERMANY: +49 (0)180 3000 506



ANNEX – ENVIRONMENTAL INFORMATION:

The environmental information disclosed in this annex including the EIP Pollution logo are in compliance with People's Republic of China Electronic Industry Standard SJ/T11364 – 2006, Marking for Control of Pollution Caused by Electronic Information Products.

Part Name	Toxic or hazardous Substance and Elements					
	Lead (Pb)	Mercury (Hg)	Cadmium (Cd)	Hexavalent Chromium (Cr (VI))	Polybrominated biphenyls (PBB)	Polybrominated diphenyl ethers (PBDE)
Semiconductor die	X	O	O	O	O	O
Solder	X	O	O	O	O	O

附件 - 环保信息:

此附件所标示的包括电子信息产品污染图标的环保信息符合中华人民共和国电子行业标准 **SJ/T11364 - 2006**, 电子信息产品污染控制标识要求

部件名称	有毒有害物质或元素					
	铅 (Pb)	汞 (Hg)	镉 (Cd)	六价铬 (Cr (VI))	多溴联苯 (PBB)	多溴二苯醚 (PBDE)
半导体芯片	X	O	O	O	O	O
焊接点	X	O	O	O	O	O

