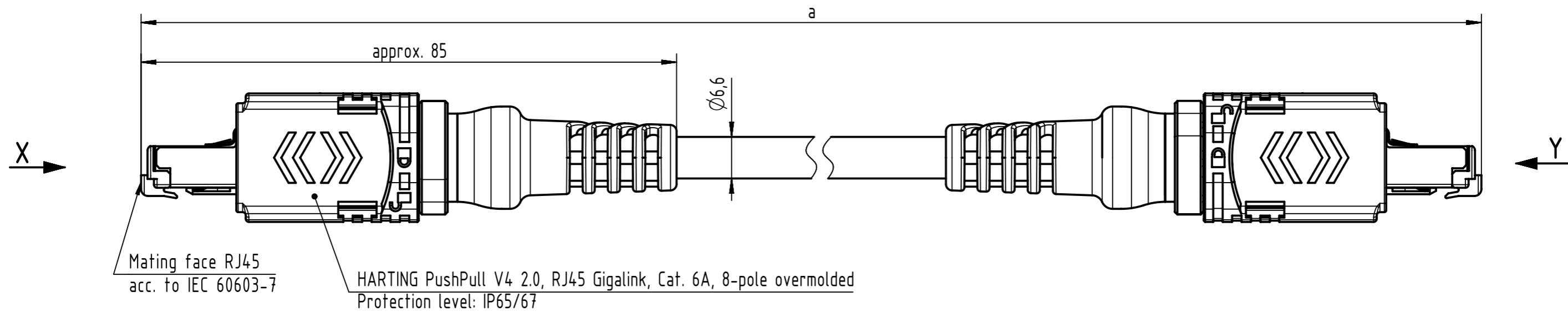


Connector Location A

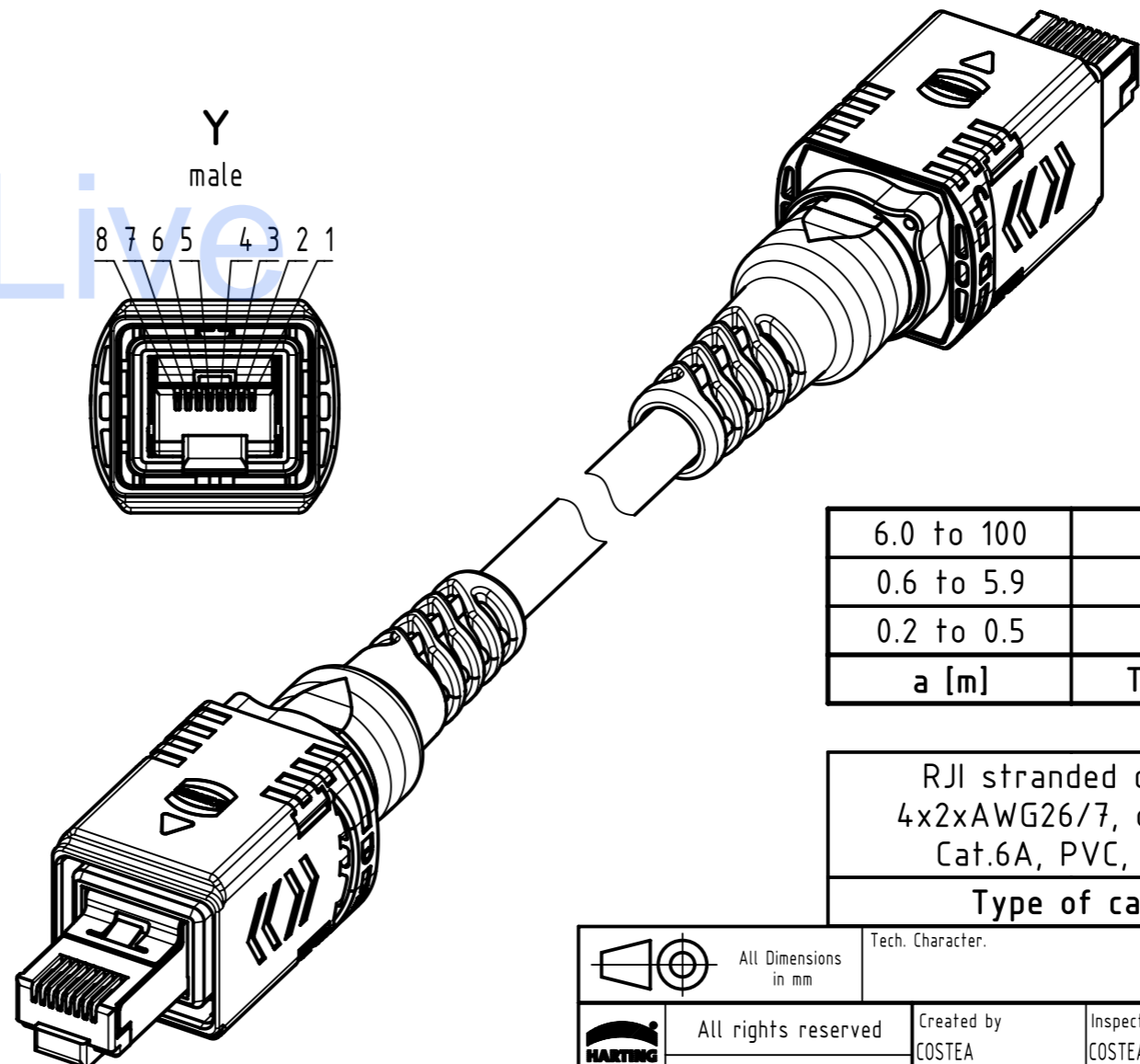
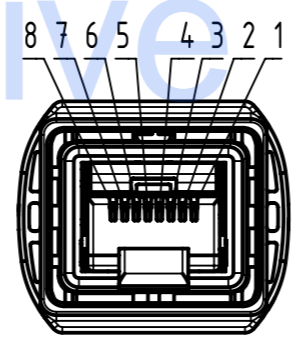
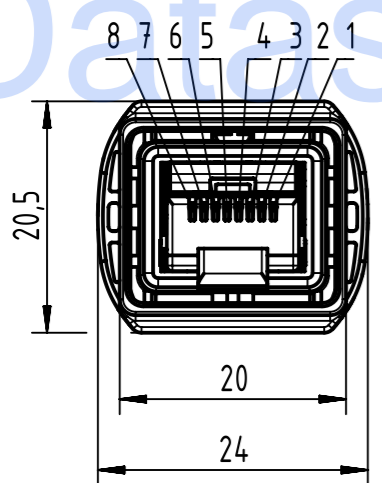
Connector Location B



X male

Loading-Plan acc. to TIA/EIA 568B

Y male



length in "1m" step	100	XXX=000
	99	XXX=990
	.	.
	12	XXX=120
length in "0.1m" step	11	XXX=110
	10	XXX=100
	9.9	XXX=099
	9.8	XXX=098
	.	.
	.	.
Step	0.5	XXX=005
	0.4	XXX=004
	0.3	XXX=003
	0.2	XXX=002
Step	a [m]	XXX

6.0 to 100	±1%
0.6 to 5.9	+0.04
0.2 to 0.5	+0.02
a [m]	Tolerance

RJI stranded cable, 4x2xAWG26/7, outdoor, Cat.6A, PVC, black

Type of cable

09482828758XXX

Part no.

Temperature range: -20°C .... +80°C

	All rights reserved		Tech. Character.		Free size tol.		According to production drawing	
	Department HCS - RO		Created by COSTEA	Inspected by COSTEA	Standardisation MUNTEANV	Date 2018-07-26	State Final Release	
HARTING Customised Solutions		Title HA PPV4 2.0 RJ45 Cat6A PVC outd.				Doc-Key / ECM-Nr. 100696523/UGD/001/C 500000137903		
D-32339 Espelkamp		Type TB	Number 09482828758XXX			Rev. C	Page 1/1	