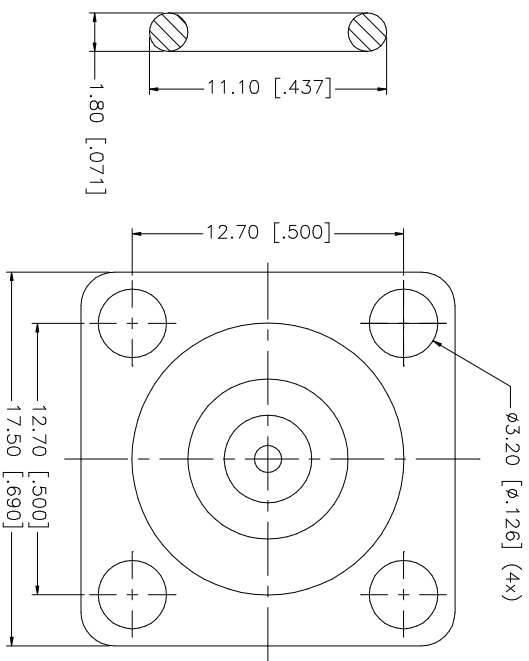
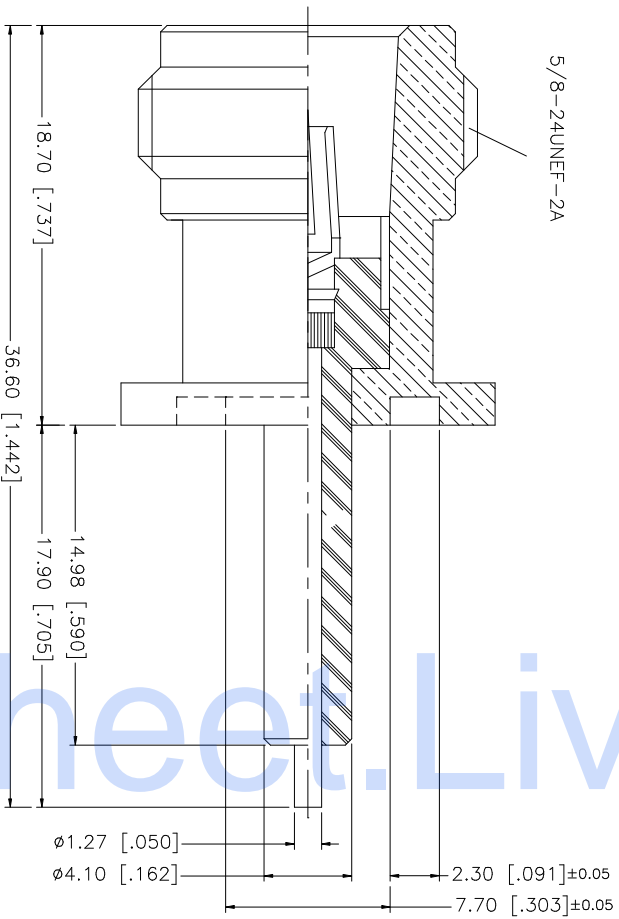


REV.	DATE	DESCRIPTION
B	04/22/00	ADD DUREMETER RATING
C	01/20/03	REVISE DRAWING FORMAT



NO.	DESCRIPTION	MATERIAL	FINISH	QTY	UNLESS OTHERWISE SPECIFIED DIMENSIONS ARE IN MILLIMETERS. DIMENSIONS IN [] ARE IN INCHES AND FOR CUSTOMER REFERENCE ONLY. TOLERANCES FOR MILLIMETERS ARE: 0.5 - 8mm ± 0.20mm 8 - 30mm ± 0.40mm 30 - 120mm ± 0.50mm UNLESS OTHERWISE SPECIFIED TOLERANCES FOR INCHES ARE: .020 - .315 = ± 0.007" .315 - 1.180 = ± 0.015" 1.180 - 4.724 = ± 0.020"	DO NOT SCALE DRAWING	APPROVALS	DATE	PART DESCRIPTION	
8							DRAWN	G.R.S.	01/20/03	<p style="text-align: center;">Amphenol Connex</p> <p style="text-align: center;">N PANEL RECEPTACLE - EXTENDED TEFLON</p>
7							CHECKED			
6							ISSUED			
5	GASKET	SILICONE (per diameter rating)	RED	1			SHEET	1 OF 1		
3	CONTACT PIN	PHOS. BRONZE	GOLD	1						
2	INSULATOR	TEFLON	NATURAL	1						
1	BODY	BRASS	NEXCOTE	1						
	DESCRIPTION	MATERIAL	FINISH	QTY						
							CAD FILE	C:/172/172224-13.DWG		
							DWG. NO.	172224-13.DWG		
							REV.	C		
							SIZE	A		
							SCALE	NA		