

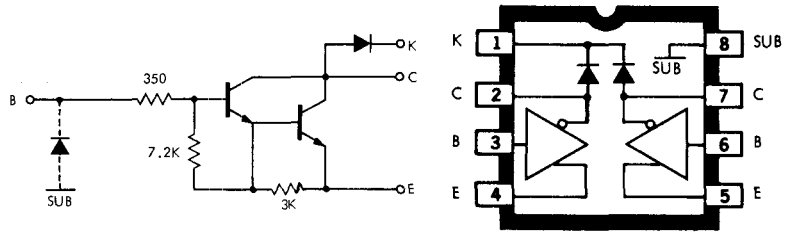
1.5 A DARLINGTON SWITCHES

ULN2061M THRU ULN2069B

FEATURES

- Dual or Quad Independent Darlington Drivers
- TTL, DTL, or 5 V CMOS-Compatible Inputs
- Maximum Output Current to 1.75 A
- Maximum Output Voltage to 90 V
- Transient-Protected Outputs
- Heat-Sink Contact Tabs on Quad Drivers

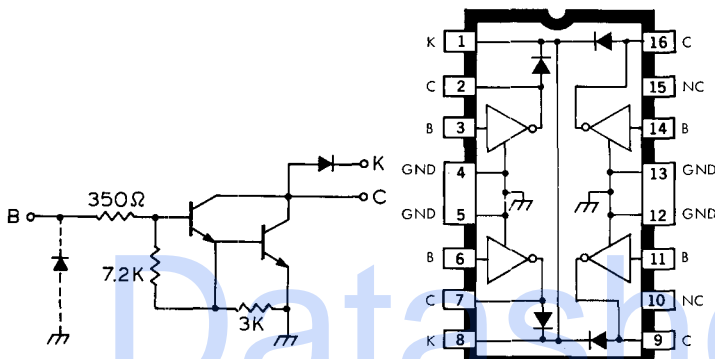
ULN2061M and ULN2062M



Dwg. No. A-10,352

Dwg. No. A-10,230

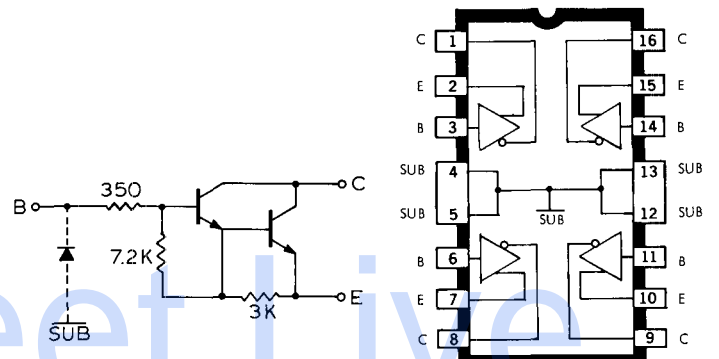
ULN2064B and ULN2065B



Dwg. No. A-10,353

Dwg. No. A-9765

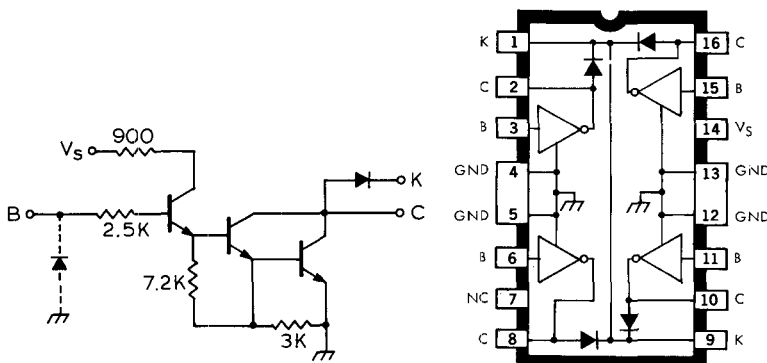
ULN2074B



Dwg. No. A-10,355

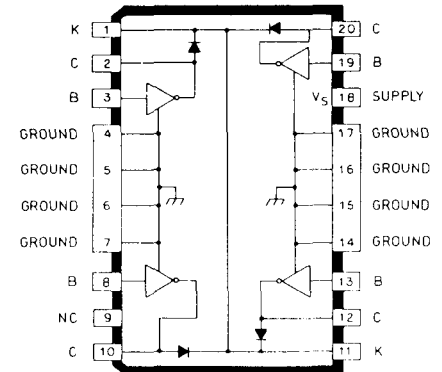
Dwg. No. A-9766

ULN2068B, ULN2069B, and ULN2068LB



Dwg. No. A-10,354

Dwg. No. A-10,310



Dwg. No. A-14,327

Part Number	$V_{CE(max)}$	$V_{CE(SUS)}$	$V_{IN(max)}$	I_C
ULN2061M	50 V	35 V	30 V	1.25 A
ULN2062M	80 V	50 V	60 V	1.5 A
ULN2064B	50 V	35 V	15 V	1.25 A
ULN2065B	80 V	50 V	15 V	1.5 A
ULN2068B/LB	50 V	35 V	15 V	1.25 A
ULN2069B	80 V	50 V	15 V	1.5 A
ULN2074B	50 V	35 V	30 V	1.25 A

Suffix B = batwing DIP, M = mini-DIP, LB = wide-body batwing SOIC