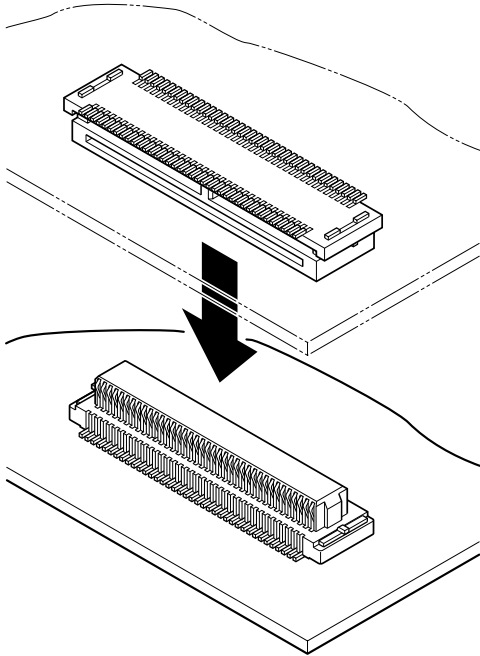


# JAS CONNECTOR

0.4mm pitch/Board-to-board connectors



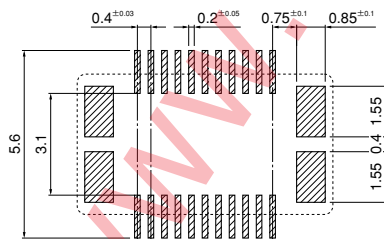
- The plug housing is constructed of two separate parts. This allows the connector to be put under greater torsion strain than similar connectors without any damage being done to the solder joints.
- Both plug and receptacle have the double I type solder tabs, which reduces the stress by the distorted mating/unmating applied to the solder tails.

## Specifications

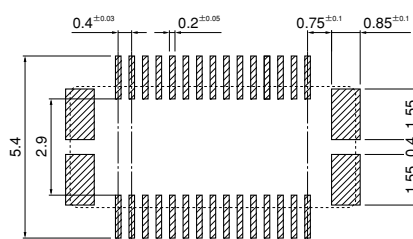
- Current rating: 0.3A AC, DC
- Voltage rating: 30V AC, DC
- Temperature range: -25°C to +85°C  
(including temperature rise in applying electrical current)
- Contact resistance: Initial value/70m Ω max.  
After environmental testing/140m Ω max.
- Insulation resistance: 50M Ω min.
- Withstanding voltage: 100V AC/minute
- \* Compliant with RoHS.
- \* Refer to "General Instruction and Notice when using Terminals and Connectors" at the end of this catalog.
- \* Contact JST for details.

## PC board layout (viewed from component side) and Assembly layout

### Plug



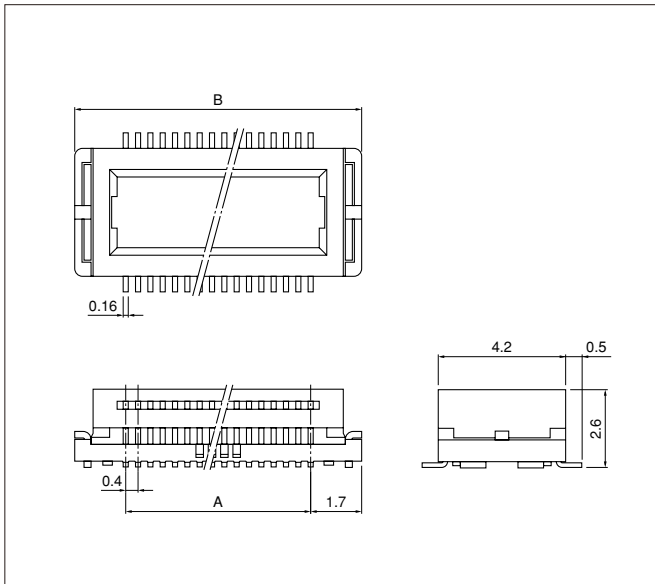
### Receptacle



Note: 1. Tolerances are non-cumulative:  $\pm 0.05\text{mm}$  for all centers.  
2. The dimensions above should serve as a guideline. Contact JST for details.

# JAS CONNECTOR

## Plug



Circuits	Model No.	Dimensions (mm)		Q'ty / reel
		A	B	
80	<b>80P-JASKS-GE-TF</b>	15.6	19.0	2,500
100	<b>100P-JASKS-GE-TF</b>	19.6	23.0	2,500
120	<b>120P-JASKS-GE-TF2</b>	23.6	27.0	1,500

### Material and Finish

Contact: Phosphor bronze, nickel-undercoated, gold-plated

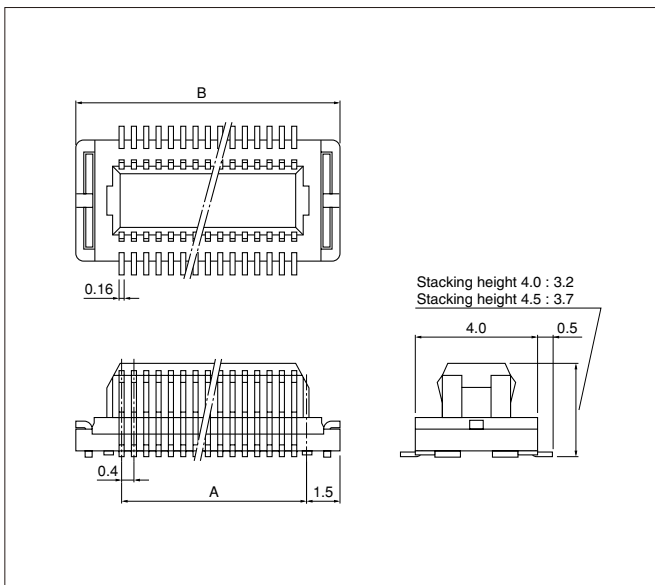
Housing: PPS, UL94V-0

Solder tab: Brass, copper-undercoated, tin-plated (reflow treatment)

**RoHS compliance** This product displays (LF)(SN) on a label.

Note: The products listed above are supplied on embossed-tape.

## Receptacle



Circuits	Model No.		Dimensions (mm)		Q'ty / reel
	Stacking height		A	B	
	4.0mm	4.5mm			
80	<b>80R-JASKS-GWAN-TF</b>	—	15.6	18.6	2,500
100	<b>100R-JASKS-GWAN-TF</b>	<b>100R4.5-JASKS-GWAN-TF</b>	19.6	22.6	2,500
120	—	<b>120R4.5-JASKS-GWAN-TF2</b>	23.6	26.6	1,500

### Material and Finish

Contact: Phosphor bronze, nickel-undercoated, gold-plated (nickel-stripe)

Housing: LCP, UL94V-0

Solder tab: Brass, copper-undercoated, tin-plated (reflow treatment)

**RoHS compliance** This product displays (LF)(SN) on a label.

Note: The products listed above are supplied on embossed-tape.