



SERIES 125 AND 126 RETAINERS

WEIGHT

.40 g/cm (.036 oz/in)

MATERIALS AND FINISH

Material:

.41 (.016) thick Stainless Steel Type 301, Cond. 1/2 H, ASTM -A240

Finish:

Passivated per MILS-5002

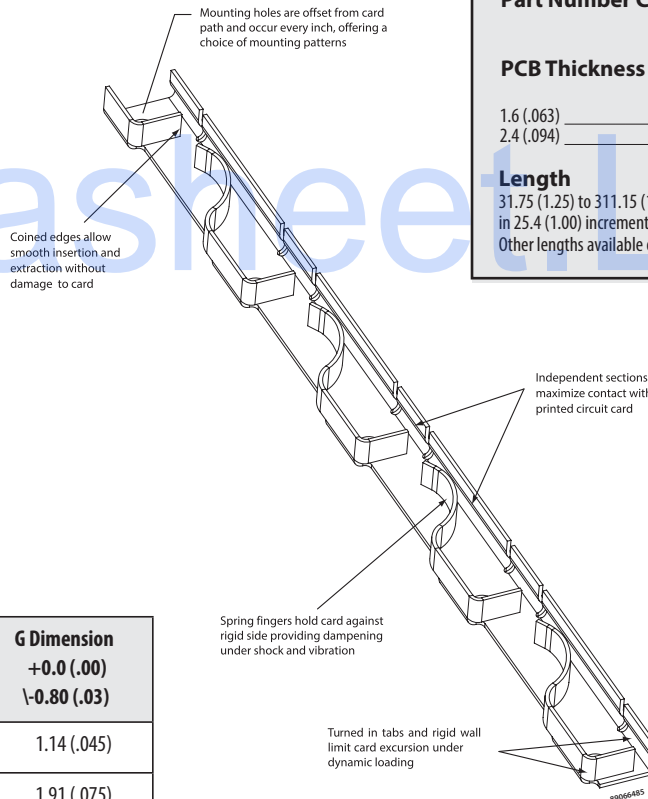
SPRING RATE

60.4N/cm (34.5lbs/in) of deflection per spring finger

Part Number Code			
125 or 126	-06	-3.25	
PCB Thickness			
1.6 (.063)			06
2.4 (.094)			09
Length			
31.75 (1.25) to 311.15 (12.25) in 25.4 (1.00) increments			3.25
Other lengths available on request			

Part Number Code Example:

125-06-4.25
Series 125 passivated stainless steel, 107.95 (4.25) long designed for 1.6 (.063) thick printed circuit boards



Dash No.	PCB Thickness	B Dimension +0.38 (.015) \ -0.0 (.000)	G Dimension +0.0 (.00) \ -0.80 (.03)
-06	1.6 (1/16)	1.91 (.075)	1.14 (.045)
-09	2.4 (3/32)	2.67 (.105)	1.91 (.075)

125 Shown, 126 Opposite

