

Small-Signal Plastic

PLASTIC-ENCAPSULATED SMALL-SIGNAL TRANSISTORS FOR INDUSTRIAL AND CONSUMER APPLICATIONS

The Small-Signal Plastic Transistors represent Motorola's broadest product line. From RF/VHF/UHF amplifiers, mixers, oscillators and switches to general-purpose amplifiers and switches, all are available as standard product or custom specials.

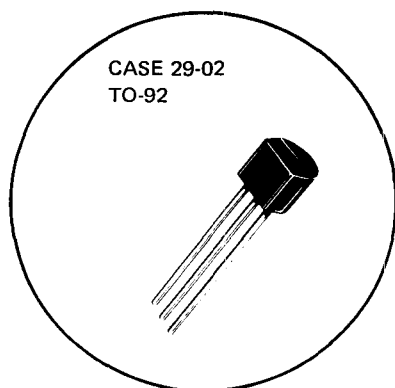
Specialty devices for the industrial, computer or consumer market as well as specialty packages—Duowatt and Uniwatt—are all available for unique high technology applications. The following list demonstrates the many applications possible with plastic transistors. If specific applications are not listed, consult your factory representative for assistance.

GENERAL PURPOSE AMPLIFIER TRANSISTORS (TO-92)

The general purpose Transistors are designed for small-signal amplification from D.C. to low radio frequencies. They are also useful as oscillators and general purpose switches.

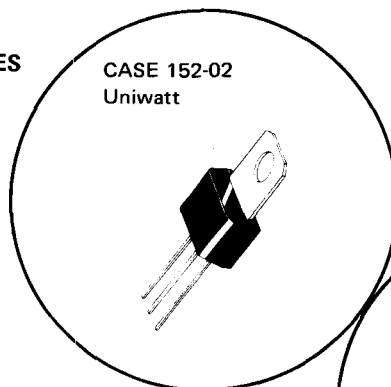
NPN	PNP	BV _{CEO} (Volts)	Pd (mW)	I _C max. (mA) Cont.	HFE @		I _C (mA)	V _{CE} (Volts)	F _T Typ. MHz	N _F Max. (dB)	Pin Out
					Min.	Max.					
BC182	BC212	50	625	100	120	460	2.0	5.0	200	10	CBE
BC182A	BC212A	50	625	100	120	220	2.0	5.0	200	10	CBE
BC182B	BC212B	50	625	100	180	460	2.0	5.0	200	10	CBE
BC237	BC307	45	625	100	120	460	2.0	5.0	200	10	CBE
BC237A	BC307A	45	625	100	120	220	2.0	5.0	200	10	CBE
BC237B	BC307B	45	625	100	180	460	2.0	5.0	200	10	CBE
BC237C	BC307C	45	625	100	380	800	2.0	5.0	200	10	CBE
BC238	BC308	25	625	100	120	800	2.0	5.0	200	10	CBE
BC238A	BC308A	25	625	100	120	220	2.0	5.0	200	10	CBE
BC238B	BC308B	25	625	100	180	460	2.0	5.0	200	10	CBE
BC238C	BC308C	25	625	100	380	800	2.0	5.0	200	10	CBE
BC239	BC309	45	625	100	180	800	2.0	5.0	240	4	CBE
BC239A	BC309A	45	625	100	120	220	2.0	5.0	240	4	CBE
BC239B	BC309B	45	625	100	180	460	2.0	5.0	240	4	CBE
BC239C	BC309C	45	625	100	380	800	2.0	5.0	240	4	CBE
BC546	BC556	65	625	100	120	450	2.0	5.0	300	10	CBE
BC546A	BC556A	65	625	100	120	220	2.0	5.0	300	10	CBE
BC546B	BC556B	65	625	100	180	450	2.0	5.0	300	10	CBE
BC547	BC557	45	625	100	120	450	2.0	5.0	300	10	CBE
BC547A	BC557A	45	625	100	120	220	2.0	5.0	300	10	CBE
BC547B	BC557B	45	625	100	180	450	2.0	5.0	300	10	CBE
BC547C	BC557C	45	625	100	380	800	2.0	5.0	300	10	CBE
BC548	BC558	30	625	100	120	800	2.0	5.0	300	10	CBE
BC548A	BC558A	30	625	100	120	220	2.0	5.0	300	10	CBE
BC548B	BC558B	30	625	100	180	450	2.0	5.0	300	10	CBE
BC548C	BC558C	30	625	100	380	800	2.0	5.0	300	10	CBE

SMALL SIGNAL PLASTIC PACKAGES



The TO-92

is the most popular, high-volume plastic package and will meet most of your high-performance, low-cost requirements.



The Uniwatt/Duowatt Package is designed for applications requiring greater power dissipation than available with the TO-92 package.

