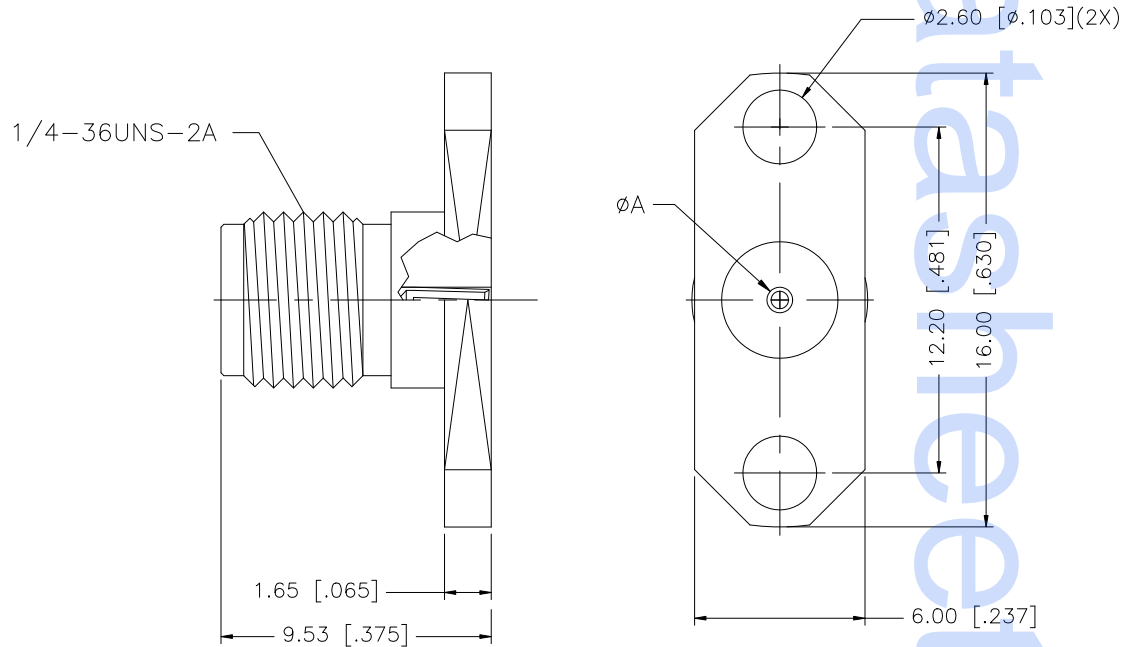


REV.	DATE	ECR NO.	DESCRIPTION
NC	12/12/05	-	INITIAL RELEASE
A	06/18/08	-	CORRECT PART NUMBER CALLOUT ITEM NO.2



ITEM NO.	DRAWING NO.	A
1.	132163	.30 [.012"]
2.	132163-10	.38 [.015"]
3.	132163-11	.46 [.018"]
4.	132163-12	.91 [.036"]

8				
7				
6				
5				
4				
3	CONTACT PIN	BER. COPPER	GOLD	1
2	INSULATOR	TEFLON	NATURAL	1
1	BODY	BRASS	GOLD	1
	DESCRIPTION	MATERIAL	FINISH	QTY

UNLESS OTHERWISE SPECIFIED DIMENSIONS ARE IN MILLIMETERS. DIMENSIONS IN [] ARE IN INCHES AND FOR CUSTOMER REFERENCE ONLY.

UNLESS OTHERWISE SPECIFIED TOLERANCES FOR MILLIMETERS ARE:
0.5 - 8mm ± 0.20mm
8 - 30mm ± 0.40mm
30 - 120mm ± 0.50mm

UNLESS OTHERWISE SPECIFIED TOLERANCES FOR INCHES ARE:
.020 - .315 = ± 0.007"
.315 - 1.180 = ± 0.015"
1.180 - 4.724 = ± 0.020"

DO NOT SCALE DRAWING

APPROVALS	DATE
DRAWN G.R.S.	06/18/08
CHECKED	
ISSUED	
SHEET 1 OF 1	
CAD FILE	C:/132/132163.DWG

Amphenol Connex

PART DESCRIPTION

SMA PANEL RECEPTACLE JACK

PART NO.

132163

DWG. NO.

132163.DWG

REV. A

SIZE A

SCALE NA