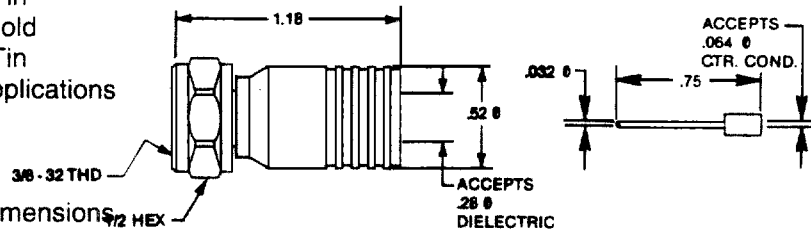


# RG-11/U TYPE CABLE CONNECTORS

## DATAGRADE™ RG-11

Part Number	Crimp Ring I.D.	Pin Finish
44344	.460	Gold
75777	.460	Tin
51770	.480	Gold
48400	.480	Tin

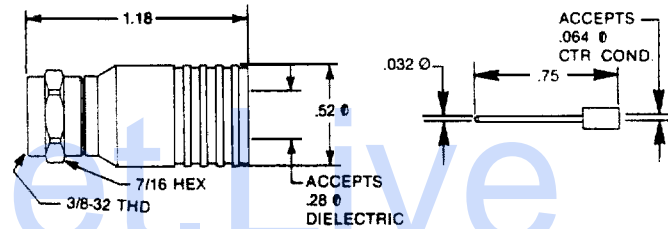
- Pin diameter of .032 optimized for data applications
- Suitable for use where "FD" P550 type connectors are recommended
- Bright alloy finish on nut
- See Appendix, Figure 14, for cable trim dimensions
- Use G-CRT-211 crimp tool



## GF-11-AHS TYPE

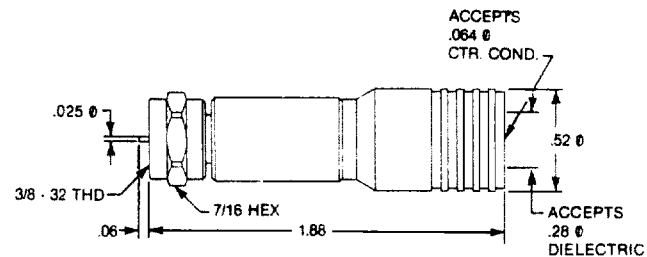
GF-11-AHS/460	GF-11-AHS/460-HD
GF-11-AHS/480	GF-11-AHS/480-HD

- Crimp-on center pin of .030 prevents potential damage to F female
- Attached crimp ring provides excellent electrical shielding and mechanical retention
- All brass construction features annealed crimp ring for consistent reliable crimp
- Bright acid tin plating on body and center pin
- HD suffix required with solid polyethylene dielectric RG-11/U cable with .045 Ø center conductor
- See Appendix, Figure 14, for cable trim dimensions
- Use G-CRT-211 crimp tool



## GAF-11-AHS TYPE

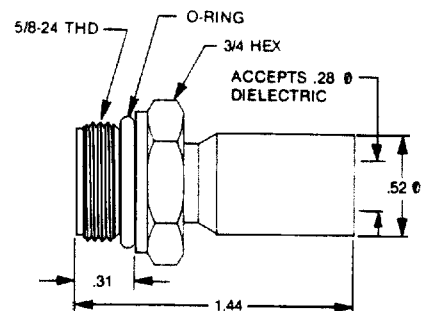
- |                |                |
|----------------|----------------|
| GAF-11-AHS/460 | GAF-11-AHS/480 |
|----------------|----------------|
- Same features as above with the addition of integral center conductor socket
  - Connector center conductor of .025 diameter prevents potential damage to F female
  - See Appendix, Figure 15, for cable trim dimensions
  - Use G-CRT-211 crimp tool



## G-11-B-AHS TYPE

G-11-B-AHS/460	G-11-B-AHS/460-S
G-11-B-AHS/480	G-11-B-AHS/480-S

- 5/8"-24 threaded body for adapting RG-11/U type cable to "KS" entry port on equipment
- -S style has rotating "KS" threads to allow installation and removal with cable attached
- Feed-thru design allows center conductor of cable to be seized in equipment
- Attached 5/8" crimp ring provides excellent electrical shielding and mechanical retention
- Bright acid tin plating
- See Appendix, Figure 20, for cable trim dimensions
- Use G-CRT-211 crimp tool



**GILBERT ENGINEERING CO., INC.**

POST OFFICE BOX 23189  
PHOENIX, AZ 85063-3189 USA

5310 W. CAMELBACK ROAD  
GLENDALE, AZ 85301-7597 USA

TEL: 602-245-1050  
TEL: 800-528-5567

FAX: 602-931-0684  
FAX: 800-344-6358