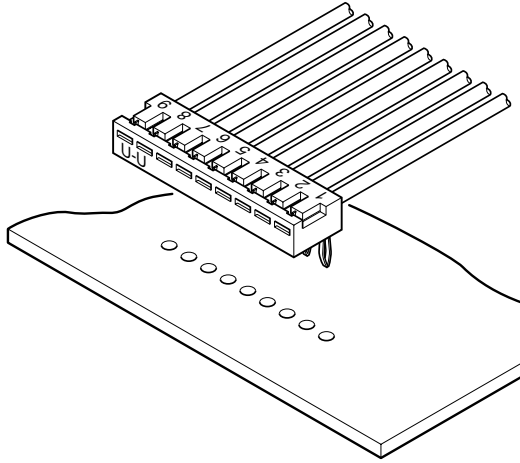




SJN CONNECTOR

2.0mm pitch/Board-in Crimp style connectors



Side entry type board-in connector, with a mounting height of only 2.8mm and a thickness of 4.9mm.

- Housing lances
- Easy mounting onto printed circuit boards

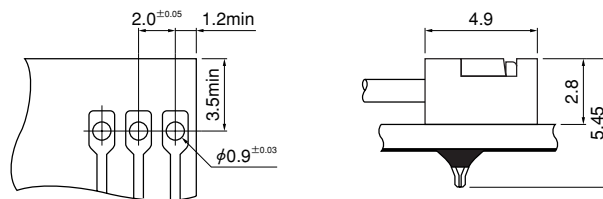
Specifications

- Current rating: 3A AC, DC (AWG #22)
- Voltage rating: 250V AC, DC
- Temperature range: -25°C to +85°C
(including temperature rise in applying electrical current)
- Insulation resistance: 1,000M Ω min.
- Withstanding voltage: 800V AC/minute
- Applicable wire: AWG #28 to #22
- Applicable PC board thickness: 1.2 to 1.6mm
- * RoHS compliant products are published.
- * Refer to "General Instruction and Notice when using Terminals and Connectors" at the end of this catalog.
- * Contact JST for details.

Standards

Recognized E60389

PC board layout (viewed from soldering side) and Assembly layout

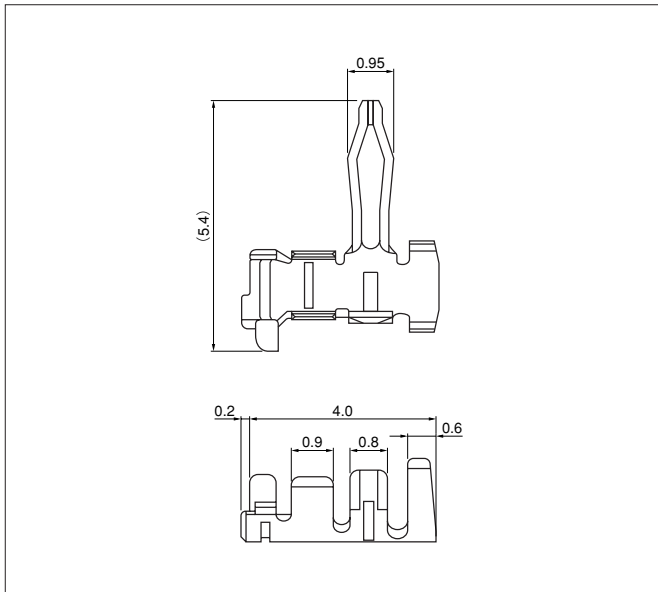


Note: 1. Tolerances are non-cumulative: ± 0.05 mm for all centers.

2. Hole dimensions differ according to the kind of PC board and piercing method. The dimensions above should serve as a guideline. Contact JST for details.

SJN CONNECTOR

Contact



| Model No. | Applicable wire | | Insulation O.D.(mm) | Q'ty/ reel |
|----------------------|-----------------|-------|---------------------|---------------|
| | mm ² | AWG # | | |
| SJN-001PT-0.9 | 0.20~0.33 | 24~22 | 1.1~1.4 | 15,000 |
| SJN-002PT-0.9 | 0.08~0.22 | 28~24 | 0.9~1.4 | 18,000 |

Material and Finish

Brass, tin-plated (reflow treatment)

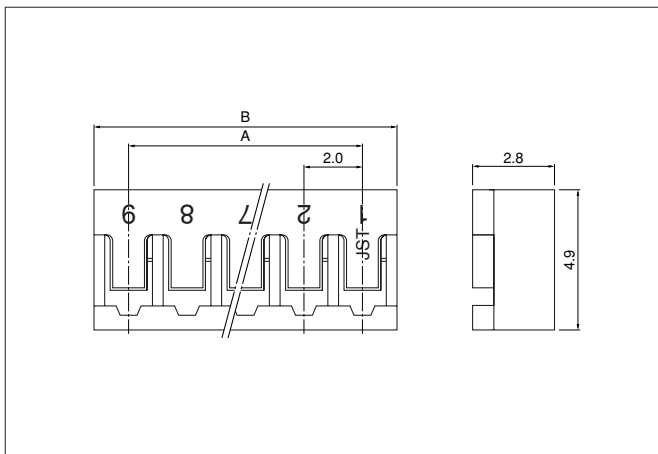
RoHS compliance

Note:

Contact JST if you require shielded wires, thin wires or other special wires.

| Contact | Crimping machine | Applicator | | |
|----------------------|---------------------|------------------|---------------|----------------------------|
| | | Crimp applicator | Dies | Crimp applicator with dies |
| SJN-001PT-0.9 | AP-K2N | MKS-L | MK/SJN-001-09 | APLMK SJN001-09 |
| | | — | — | — |
| SJN-002PT-0.9 | AP-K2N | MKS-L | MK/SJN-002-09 | APLMK SJN002-09 |
| | | — | — | — |

Housing



| Circuits | Model No. | Dimensions (mm) | | Q'ty / bag |
|----------|----------------|-----------------|------|---------------|
| | | A | B | |
| 2 | 02P-SJN | 2.0 | 4.4 | 2,000 |
| 3 | 03P-SJN | 4.0 | 6.4 | 1,000 |
| 4 | 04P-SJN | 6.0 | 8.4 | 1,000 |
| 6 | 06P-SJN | 10.0 | 12.4 | 1,000 |
| 7 | 07P-SJN | 12.0 | 14.4 | 1,000 |
| 8 | 08P-SJN | 14.0 | 16.4 | 1,000 |
| 9 | 09P-SJN | 16.0 | 18.4 | 1,000 |
| 10 | 10P-SJN | 18.0 | 20.4 | 1,000 |

Material

PA 66, UL94V-0, natural (white)

RoHS compliance