

A/AH ATTENUATORS SMA

UP TO 18 GHz
2 WATTS



MODELS: A, AH

SPECIFICATIONS:

Electrical:

Frequency Range _____ DC - 18 GHz
 Standard Freq. Values _____ 2.5, 6 & 18 GHz
 Standard dB Values _____ 0-10, 12, 15, 20 & 30 dB
In 1 dB Increments

Attenuation Accuracy
 0 - 6 dB _____ ±0.3 dB
 7 - 20 dB _____ ±0.5 dB
 21 - 30 dB _____ ±0.75 dB

VSWR
 @ 30 MHz _____ 1.05:1 Max.
 DC - 4 GHz _____ 1.15:1 Max.
 4 - 8 GHz _____ 1.20:1 Max.
 8 - 12.4 GHz _____ 1.25:1 Max.
 12.4 - 18 GHz _____ 1.35:1 Max.

Input Power _____ 2 Watts Avg. @ 25°C
DERATED LINEARLY TO 0.5 WATTS @ +125°C

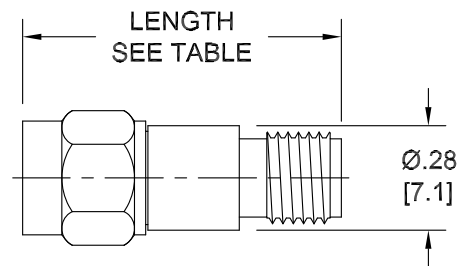
Peak Power _____ 250 Watts Max.
(5µSec Pulse, .05% Duty Cycle)

Impedance _____ 50 Ohms

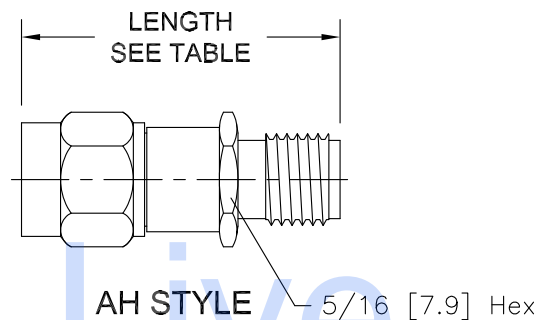
Operating Temp Range _____ -65°C to +125°C

Mechanical:

SMA Connectors _____ Passivated Stainless Steel
 Mates with MIL-STD-348
 Conductors _____ Gold Plated Beryllium Copper



A STYLE



AH STYLE

Datasheet.Live

Connector Configuration	LENGTH			
	0 - 12 dB		13 - 30 dB	
	Inches	Millimeters	Inches	Millimeters
Male/Female	.86 ±.03	[21.8 ±0.8]	.99 ±.03	[25.1 ±0.8]
Male/Male	.98 ±.03	[24.9 ±0.8]	1.11 ±.03	[28.2 ±0.8]
Female/Female	.87 ±.03	[22.1 ±0.8]	1.00 ±.03	[25.4 ±0.8]

HOW TO ORDER:

Model Number: **XXAY-XXY**

Freq. Range _____
 6 = DC-6 GHz
 18 = DC-18 GHz

Connector Config.
 F = Male/Female
 F = Fem/Fem
 M = Male/Male

dB Value _____

Style _____
 A = A Style (No Hex)
 AH = AH Style (Hex)

Ordering Examples:

Model Number: **18A-20**
 DC-18 GHz; 20 dB; SMA - Male/Fem; Style A

Model Number: **6AH-3M**
 DC-6 GHz; 3 dB; SMA - Male/Male; Style AH

Note: Dimensions in Brackets are Expressed in Millimeters and are for Reference Only.

Design specifications are subject to change without notice.

Contact factory for technical specifications before purchasing or use.

18A-ATT; REV M(M)