

Type 4CMC 85 °C, High-Cap, Computer Grade, Radial Leaded

Best Value Printed Circuit Mount Type



The Type 4CMC is the PC-mount version of the high-capacitance Type DCMC screw-terminal capacitor and has about 50% more capacitance per can size through 250 V. It's for bus filtering applications where more capacitance or smaller can size is important like welders and energy storage. It's a much better value than a large snap-in capacitor. Its extended cathode foil assures cool operation with heatflow from the capacitor element to the can in all mounting orientations.

Highlights

- ◆ Much better value than large snap-in capacitor
- ◆ Ripple Currents to > 50 amps at 55 °C
- ◆ 3-leads for reverse proof, strong mounting
- ◆ Printed-circuit mounting version of DCMC
- ◆ Thermal-Pak™ extended cathode construction

Specifications

| | |
|------------------------------------|---|
| Operating Temperature: | -40 °C to +85 °C |
| Rated Voltage: | 16 to 500 Vdc |
| Capacitance: | 210 µF to 330,000 µF ± 20% |
| Capacitance Tolerance: | ± 20% |
| DC Leakage Current: | ≤ 6 √CV µA, 6 max, 5 min, |
| Cold Impedance: | -20 °C multiple of 25 °C Z ≤ |
| Ripple Current Multipliers: | 8 for 16 to 50 V, 4 for 63 to 100 V, 3 for 160 V & up |

Ambient Temperatures

| 45 °C | 55 °C | 65 °C | 75 °C | 85 °C |
|-------|-------|-------|-------|-------|
| 2.00 | 2.00 | 1.73 | 1.41 | 1.00 |

Frequency

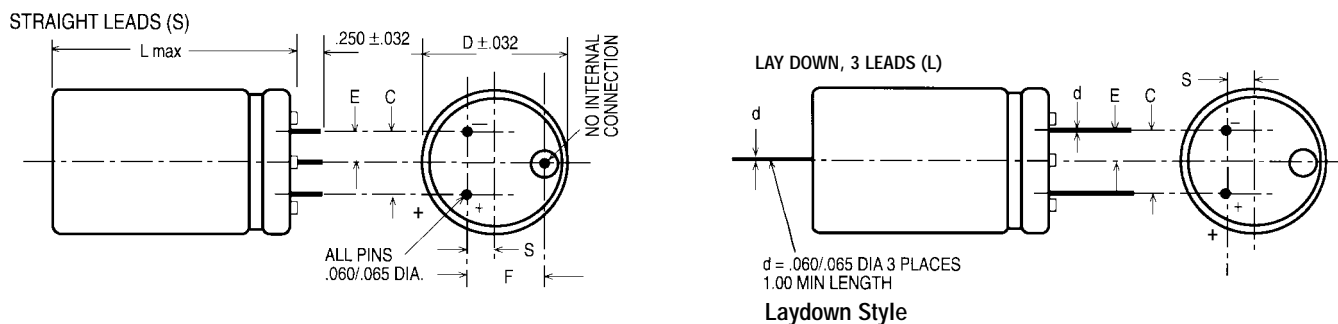
| | 50 Hz | 60 Hz | 120 Hz | 360 Hz | 1 kHz | 5 kHz | 10 kHz & up |
|--------------|-------|-------|--------|--------|-------|-------|-------------|
| 6.3 to 50 V | 0.80 | 0.85 | 1.00 | 1.05 | 1.08 | 1.08 | 1.08 |
| 63 to 250 V | 0.80 | 0.83 | 1.00 | 1.15 | 1.20 | 1.20 | 1.20 |
| 300 to 500 V | 0.78 | 0.80 | 1.00 | 1.30 | 1.40 | 1.40 | 1.40 |

| | |
|-------------------------|--|
| EIA Ripple Life: | 2000 h @ 85 °C and full load Δ Capacitance ±20% ESR 200% of limit DCL 100% of limit |
| Shelf Life: | 500 h @ 85 °C, capacitance, ESR and DCL, initial requirements |
| Vibration: | 10 to 55 Hz, 0.06" and 10 g max, 2 h in each plane. |

Aluminum
Radial Leaded
Capacitors

Type 4CMC 85 °C, High-Cap, Computer Grade, Radial Leded

Outline Drawings



Case Dimensions

| Case Code | Inches | | | | | | Millimeters | | | | | |
|-----------|---------|-------|---------|---------|---------|---------|-------------|--------|-------|-------|-------|-------|
| | D ±.031 | L MAX | C ±.015 | S ±.031 | E ±.031 | F ±.015 | D±.78 | L MAX | C±.78 | S±.78 | E±.78 | F±.38 |
| AK | 1.375 | 1.75 | 0.50 | 0.175 | 0.25 | 0.55 | 34.93 | 44.45 | 12.70 | 4.45 | 6.35 | 13.97 |
| AA | 1.375 | 2.25 | 0.50 | 0.175 | 0.25 | 0.55 | 34.93 | 57.15 | 12.70 | 4.45 | 6.35 | 13.97 |
| AH | 1.375 | 2.75 | 0.50 | 0.175 | 0.25 | 0.55 | 34.98 | 69.85 | 12.70 | 4.45 | 6.35 | 13.97 |
| AB | 1.375 | 3.25 | 0.50 | 0.175 | 0.25 | 0.55 | 34.93 | 82.55 | 12.70 | 4.45 | 6.35 | 13.97 |
| AJ | 1.375 | 3.75 | 0.50 | 0.175 | 0.25 | 0.55 | 34.93 | 95.25 | 12.70 | 4.45 | 6.35 | 13.97 |
| AC | 1.375 | 4.25 | 0.50 | 0.175 | 0.25 | 0.55 | 34.93 | 107.95 | 12.70 | 4.45 | 6.35 | 13.97 |
| AD | 1.375 | 4.75 | 0.50 | 0.175 | 0.25 | 0.55 | 34.93 | 120.65 | 12.70 | 4.45 | 6.35 | 13.97 |
| AE | 1.375 | 5.25 | 0.50 | 0.175 | 0.25 | 0.55 | 34.93 | 133.35 | 12.70 | 4.45 | 6.35 | 13.97 |
| AF | 1.375 | 5.75 | 0.50 | 0.175 | 0.25 | 0.55 | 34.93 | 146.05 | 12.70 | 4.45 | 6.35 | 13.97 |
| EA | 1.75 | 2.25 | 0.70 | 0.375 | 0.35 | 0.90 | 44.45 | 57.15 | 17.78 | 9.53 | 8.89 | 22.86 |
| EH | 1.75 | 2.75 | 0.70 | 0.375 | 0.35 | 0.90 | 44.45 | 69.85 | 17.78 | 9.53 | 8.89 | 22.86 |
| EB | 1.75 | 3.25 | 0.70 | 0.375 | 0.35 | 0.90 | 44.45 | 82.55 | 17.78 | 9.53 | 8.89 | 22.86 |
| EJ | 1.75 | 3.75 | 0.70 | 0.375 | 0.35 | 0.90 | 44.45 | 95.25 | 17.78 | 9.53 | 8.89 | 22.86 |
| EC | 1.75 | 4.25 | 0.70 | 0.375 | 0.35 | 0.90 | 44.45 | 107.95 | 17.78 | 9.53 | 8.89 | 22.86 |
| ED | 1.75 | 4.75 | 0.70 | 0.375 | 0.35 | 0.90 | 44.45 | 120.65 | 17.78 | 9.53 | 8.89 | 22.86 |
| EE | 1.75 | 5.25 | 0.70 | 0.375 | 0.35 | 0.90 | 44.45 | 133.35 | 17.78 | 9.53 | 8.89 | 22.86 |
| EF | 1.75 | 5.75 | 0.70 | 0.375 | 0.35 | 0.90 | 44.45 | 146.05 | 17.78 | 9.53 | 8.89 | 22.86 |
| BA | 2.00 | 2.25 | 0.80 | 0.425 | 0.40 | 1.00 | 50.80 | 57.15 | 20.32 | 10.80 | 10.16 | 25.40 |
| BH | 2.00 | 2.75 | 0.80 | 0.425 | 0.40 | 1.00 | 50.80 | 69.85 | 20.32 | 10.80 | 10.16 | 25.40 |
| BB | 2.00 | 3.25 | 0.80 | 0.425 | 0.40 | 1.00 | 50.80 | 82.55 | 20.32 | 10.80 | 10.16 | 25.40 |
| BJ | 2.00 | 3.75 | 0.80 | 0.425 | 0.40 | 1.00 | 50.80 | 95.25 | 20.32 | 10.80 | 10.16 | 25.40 |
| BC | 2.00 | 4.25 | 0.80 | 0.425 | 0.40 | 1.00 | 50.80 | 107.95 | 20.32 | 10.80 | 10.16 | 25.40 |
| BD | 2.00 | 4.75 | 0.80 | 0.425 | 0.40 | 1.00 | 50.80 | 120.65 | 20.32 | 10.80 | 10.16 | 25.40 |
| BE | 2.00 | 5.25 | 0.80 | 0.425 | 0.40 | 1.00 | 50.80 | 133.25 | 20.32 | 10.80 | 10.16 | 25.40 |
| BF | 2.00 | 5.75 | 0.80 | 0.425 | 0.40 | 1.00 | 50.80 | 146.05 | 20.32 | 10.80 | 10.16 | 25.40 |

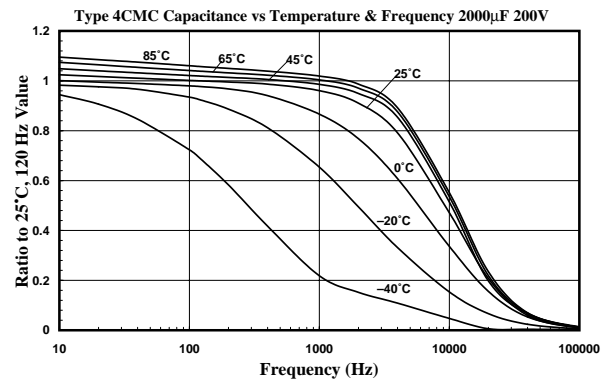
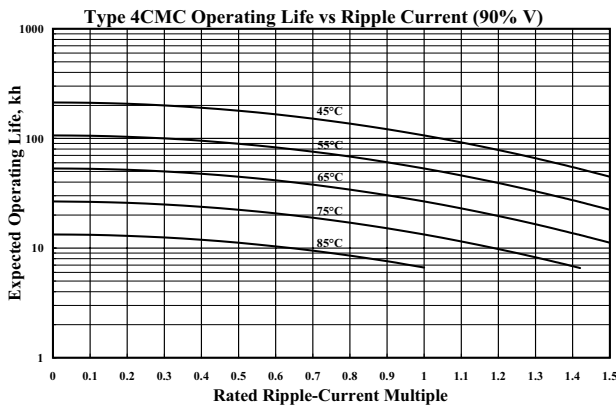
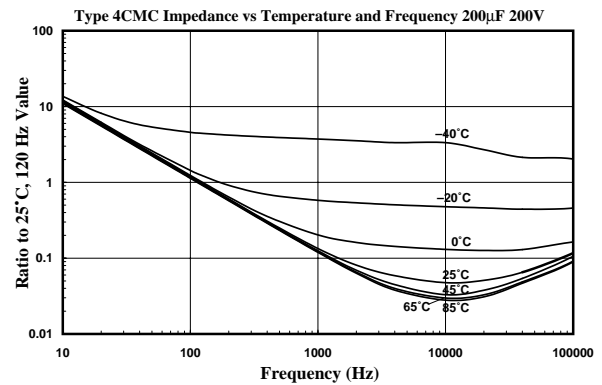
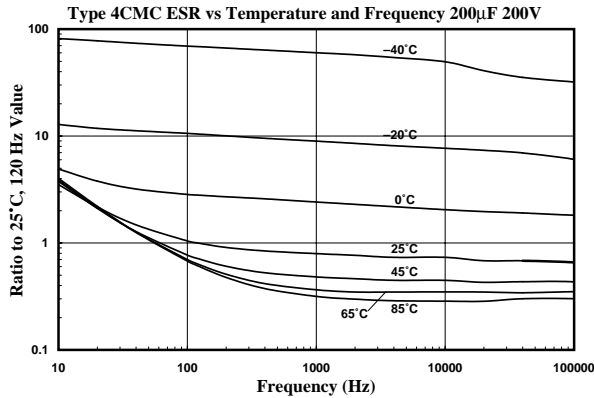
Part Numbering System

| | | | | | | |
|------|--------------------------------|--|--|-----------|--|--|
| 4CMC | 382 | M | 100 | AK | 8 | |
| Type | Capacitance | Tolerance | Voltage | Case Code | Insulation | Terminal |
| 4CMX | 382 = 3800 μF 212 = 2100 μF | M = ±20% T = -10% +50% U = -10% +75% | 6R3 = 6.3 V 063 = 63 V 100 = 100 V | | 0 = Bare Can 8 = PVC & standoffs 9 = Polyester & standoffs | (blank) = Straight Leads L = Lay Down (3 leads) |

Aluminum Radial Leaded Capacitors

Type 4CMC 85 °C, High-Cap, Computer Grade, Radial Leaded

Typical Performance Curves



Ratings

| Cap. μF | Catalog Part Number | ESR Max. 25 °C | | Ripple Amps, 85 °C | | Nom Size D X L (in) |
|------------------------------|---------------------|----------------------|----------------------|--------------------|------------|---------------------|
| | | 120 Hz (m Ω) | 20 kHz (m Ω) | 120 Hz (A) | 20 kHz (A) | |
| 16 Vdc (20 Vdc Surge) | | | | | | |
| 33000 | 4CMC333M016AK8 | 34.2 | 27.2 | 5.7 | 6.4 | 1 3/8 X 1 3/4 |
| 55000 | 4CMC553M016AA8 | 21.2 | 16.9 | 8.4 | 9.4 | 1 3/8 X 2 1/4 |
| 77000 | 4CMC773M016AH8 | 18.3 | 14.6 | 9.3 | 10.4 | 1 3/8 X 2 3/4 |
| 79000 | 4CMC793M016EA8 | 23.0 | 18.3 | 9.2 | 10.4 | 1 3/4 X 2 1/4 |
| 99000 | 4CMC993M016AB8 | 14.8 | 11.8 | 11.1 | 12.4 | 1 3/8 X 3 1/4 |
| 110000 | 4CMC114M016EH8 | 17.4 | 13.8 | 11.4 | 12.7 | 1 3/4 X 2 3/4 |
| 120000 | 4CMC124M016AJ8 | 12.8 | 10.2 | 12.5 | 14.0 | 1 3/8 X 3 3/4 |
| 120000 | 4CMC124M016BA8 | 17.7 | 14.1 | 10.0 | 11.2 | 2 X 2 1/4 |
| 140000 | 4CMC144M016AC8 | 12.5 | 9.9 | 13.3 | 15.0 | 1 3/8 X 4 1/4 |
| 140000 | 4CMC144M016EB8 | 15.8 | 12.6 | 12.9 | 14.4 | 1 3/4 X 3 1/4 |
| 150000 | 4CMC154M016BH8 | 14.5 | 11.6 | 11.9 | 13.3 | 2 X 2 3/4 |
| 160000 | 4CMC164M016AD8 | 11.5 | 9.1 | 14.5 | 16.2 | 1 3/8 X 4 3/4 |
| 180000 | 4CMC184M016AE8 | 10.8 | 8.6 | 15.8 | 17.7 | 1 3/8 X 5 1/4 |
| 180000 | 4CMC184M016EJ8 | 15.0 | 12.0 | 13.6 | 15.3 | 1 3/4 X 3 3/4 |
| 190000 | 4CMC194M016BB8 | 12.3 | 9.8 | 13.6 | 15.2 | 2 X 3 1/4 |
| 200000 | 4CMC204M016AF8 | 10.3 | 8.2 | 16.9 | 19.0 | 1 3/8 X 5 3/4 |
| 220000 | 4CMC224M016EC8 | 13.0 | 10.3 | 15.2 | 17.0 | 1 3/4 X 4 1/4 |
| 240000 | 4CMC244M016BJ8 | 11.7 | 9.3 | 15.6 | 17.5 | 2 X 3 3/4 |
| 250000 | 4CMC254M016ED8 | 11.5 | 9.2 | 17.0 | 19.0 | 1 3/4 X 4 3/4 |
| 280000 | 4CMC284M016EE8 | 10.5 | 8.4 | 18.9 | 21.2 | 1 3/4 X 5 1/4 |
| 280000 | 4CMC284M016BC8 | 11.4 | 9.1 | 15.9 | 17.8 | 2 X 4 1/4 |
| 310000 | 4CMC314M016EF8 | 9.7 | 7.7 | 21.0 | 23.5 | 1 3/4 X 5 3/4 |
| 330000 | 4CMC334M016BD8 | 10.7 | 8.5 | 16.9 | 19.0 | 2 X 4 3/4 |

| Cap. μF | Catalog Part Number | ESR Max. 25 °C | | Ripple Amps, 85 °C | | Nom Size D X L (in) |
|------------------------------|---------------------|----------------------|----------------------|--------------------|------------|---------------------|
| | | 120 Hz (m Ω) | 20 kHz (m Ω) | 120 Hz (A) | 20 kHz (A) | |
| 370000 | 4CMC374M016BE8 | 10.0 | 8.0 | 18.1 | 20.3 | 2 X 5 1/4 |
| 420000 | 4CMC424M016BF8 | 9.0 | 7.2 | 19.8 | 22.2 | 2 X 5 3/4 |
| 25 Vdc (30 Vdc Surge) | | | | | | |
| 22000 | 4CMC223M025AK8 | 63.2 | 50.4 | 4.2 | 4.7 | 1 3/8 X 1 3/4 |
| 37000 | 4CMC373M025AA8 | 23.9 | 19.1 | 7.9 | 8.8 | 1 3/8 X 2 1/4 |
| 52000 | 4CMC523M025AH8 | 20.6 | 16.4 | 8.8 | 9.8 | 1 3/8 X 2 3/4 |
| 54000 | 4CMC543M025EA8 | 22.9 | 18.3 | 9.3 | 10.4 | 1 3/4 X 2 1/4 |
| 67000 | 4CMC673M025AB8 | 16.6 | 13.2 | 10.5 | 11.7 | 1 3/8 X 3 1/4 |
| 78000 | 4CMC783M025EH8 | 19.0 | 15.1 | 10.9 | 12.2 | 1 3/4 X 2 3/4 |
| 82000 | 4CMC823M025AJ8 | 14.3 | 11.4 | 11.8 | 13.2 | 1 3/8 X 3 3/4 |
| 83000 | 4CMC833M025BA8 | 19.0 | 15.2 | 10.9 | 12.2 | 2 X 2 1/4 |
| 97000 | 4CMC973M025AC8 | 13.9 | 11.1 | 12.6 | 14.2 | 1 3/8 X 4 1/4 |
| 100000 | 4CMC104M025BH8 | 15.5 | 12.4 | 13.0 | 14.6 | 2 X 2 3/4 |
| 100000 | 4CMC1003M025EB8 | 17.3 | 13.8 | 12.3 | 13.8 | 1 3/4 X 3 1/4 |
| 110000 | 4CMC114M025AD8 | 12.8 | 10.2 | 13.8 | 15.4 | 1 3/8 X 4 3/4 |
| 120000 | 4CMC124M025AE8 | 11.9 | 9.5 | 15.0 | 16.8 | 1 3/8 X 5 1/4 |
| 120000 | 4CMC124M025EJ8 | 16.4 | 13.0 | 13.1 | 14.6 | 1 3/4 X 3 3/4 |
| 130000 | 4CMC134M025BB8 | 12.7 | 10.1 | 15.2 | 17.0 | 2 X 3 1/4 |
| 140000 | 4CMC144M025AF8 | 11.4 | 9.1 | 16.1 | 18.0 | 1 3/8 X 5 3/4 |
| 150000 | 4CMC154M025EC8 | 14.1 | 11.2 | 14.6 | 16.3 | 1 3/4 X 4 1/4 |
| 160000 | 4CMC164M025BJ8 | 12.5 | 10.0 | 17.1 | 19.2 | 2 X 3 3/4 |
| 170000 | 4CMC174M025ED8 | 12.5 | 10.0 | 16.3 | 18.3 | 1 3/4 X 4 3/4 |
| 190000 | 4CMC194M025EE8 | 11.3 | 9.0 | 18.2 | 20.4 | 1 3/4 X 5 1/4 |
| 190000 | 4CMC194M025BC8 | 12.2 | 9.7 | 17.4 | 19.5 | 2 X 4 1/4 |

Aluminum Radial Leaded Capacitors

Type 4CMC 85 °C, High-Cap, Computer Grade, Radial Leaded

Ratings

| Cap. μF | Catalog Part Number | ESR Max. 25 °C | | Ripple Amps, 85 °C | | Nom Size D X L (in) |
|-----------------------|---------------------|-------------------------|-------------------------|--------------------|---------------|---------------------------|
| | | 120 Hz (m Ω) | 20 kHz (m Ω) | 120 Hz (A) | 20 kHz (A) | |
| 210000 | 4CMC214M025EF8 | 10.5 | 8.3 | 20.2 | 22.6 | 1 3/4 X 5 3/4 |
| 220000 | 4CMC224M025BD8 | 11.4 | 9.1 | 18.6 | 20.8 | 2 X 4 3/4 |
| 250000 | 4CMC254M025BE8 | 10.6 | 8.5 | 19.9 | 22.3 | 2 X 5 1/4 |
| 280000 | 4CMC284M025BF8 | 9.6 | 7.6 | 21.8 | 24.4 | 2 X 5 3/4 |
| 35 Vdc (40 Vdc Surge) | | | | | | |
| 15000 | 4CMC153M035AK8 | 63.2 | 50.4 | 4.2 | 4.7 | 1 3/8 X 1 3/4 |
| 25000 | 4CMC253M035AA8 | 23.9 | 19.1 | 7.9 | 8.8 | 1 3/8 X 2 1/4 |
| 35000 | 4CMC353M035AH8 | 20.6 | 16.4 | 8.8 | 9.8 | 1 3/8 X 2 3/4 |
| 38000 | 4CMC383M035EA8 | 22.7 | 18.1 | 9.3 | 10.4 | 1 3/4 X 2 1/4 |
| 45000 | 4CMC453M035AB8 | 16.6 | 13.2 | 10.5 | 11.7 | 1 3/8 X 3 1/4 |
| 52000 | 4CMC523M035EH8 | 19.0 | 15.1 | 10.9 | 12.2 | 1 3/4 X 2 3/4 |
| 55000 | 4CMC553M035AJ8 | 14.3 | 11.4 | 11.8 | 13.2 | 1 3/8 X 3 3/4 |
| 56000 | 4CMC563M035BA8 | 19.0 | 15.2 | 10.9 | 12.2 | 2 X 2 1/4 |
| 65000 | 4CMC653M035AC8 | 13.9 | 11.1 | 12.6 | 14.2 | 1 3/8 X 4 1/4 |
| 67000 | 4CMC673M035EB8 | 17.3 | 13.8 | 12.3 | 13.8 | 1 3/4 X 3 1/4 |
| 68000 | 4CMC683M035BH8 | 15.5 | 12.4 | 13.0 | 14.6 | 2 X 2 3/4 |
| 75000 | 4CMC753M035AD8 | 12.8 | 10.2 | 13.8 | 15.4 | 1 3/8 X 4 3/4 |
| 83000 | 4CMC833M035EJ8 | 16.4 | 13.0 | 13.1 | 14.6 | 1 3/4 X 3 3/4 |
| 84000 | 4CMC843M035AE8 | 11.9 | 9.5 | 15.2 | 17.1 | 1 3/8 X 5 1/4 |
| 87000 | 4CMC873M035BB8 | 12.7 | 10.1 | 15.2 | 17.0 | 2 X 3 1/4 |
| 93000 | 4CMC933M035AF8 | 11.4 | 9.1 | 16.1 | 18.1 | 1 3/8 X 5 3/4 |
| 100000 | 4CMC104M035EC8 | 14.1 | 11.2 | 14.6 | 16.3 | 1 3/4 X 4 1/4 |
| 110000 | 4CMC114M035BJ8 | 12.5 | 10.0 | 17.1 | 19.2 | 2 X 3 3/4 |
| 110000 | 4CMC114M035ED8 | 12.5 | 10.0 | 16.3 | 18.3 | 1 3/4 X 4 3/4 |
| 130000 | 4CMC134M035EE8 | 11.3 | 9.0 | 18.2 | 20.4 | 1 3/4 X 5 1/4 |
| 130000 | 4CMC134M035BC8 | 12.2 | 9.7 | 17.4 | 19.5 | 2 X 4 1/4 |
| 140000 | 4CMC144M035EF8 | 10.5 | 8.3 | 20.2 | 22.6 | 1 3/4 X 5 3/4 |
| 150000 | 4CMC154M035BD8 | 11.4 | 9.1 | 18.6 | 20.8 | 2 X 4 3/4 |
| 170000 | 4CMC174M035BE8 | 10.6 | 8.5 | 20.0 | 22.4 | 2 X 5 1/4 |
| 190000 | 4CMC194M035BF8 | 9.6 | 7.6 | 21.7 | 24.4 | 2 X 5 3/4 |
| 50 Vdc (65 Vdc Surge) | | | | | | |
| 10000 | 4CMC103M050AK8 | 44.3 | 35.3 | 5.0 | 5.7 | 1 3/8 X 1 3/4 |
| 17000 | 4CMC173M050AA8 | 27.3 | 21.8 | 7.4 | 8.2 | 1 3/8 X 2 1/4 |
| 24000 | 4CMC243M050AH8 | 23.4 | 18.7 | 8.2 | 9.2 | 1 3/8 X 2 3/4 |
| 27000 | 4CMC273M050EA8 | 28.2 | 22.5 | 8.4 | 9.4 | 1 3/4 X 2 1/4 |
| 31000 | 4CMC313M050AB8 | 18.9 | 15.1 | 9.8 | 11.0 | 1 3/8 X 3 1/4 |
| 33000 | 4CMC333M050BA8 | 27.9 | 22.3 | 9.0 | 10.1 | 2 X 2 1/4 |
| 36000 | 4CMC363M050EH8 | 21.2 | 16.9 | 10.3 | 11.5 | 1 3/4 X 2 3/4 |
| 38000 | 4CMC383M050AJ8 | 16.2 | 13.0 | 11.1 | 12.4 | 1 3/8 X 3 3/4 |
| 39000 | 4CMC393M050EB8 | 20.3 | 16.2 | 11.3 | 12.7 | 1 3/4 X 3 1/4 |
| 45000 | 4CMC453M050AC8 | 15.7 | 12.5 | 11.9 | 13.3 | 1 3/8 X 4 1/4 |
| 47000 | 4CMC473M050AD8 | 14.9 | 11.9 | 12.7 | 14.3 | 1 3/8 X 4 3/4 |
| 47000 | 4CMC473M050BH8 | 19.6 | 15.6 | 11.6 | 13.0 | 2 X 2 3/4 |
| 48000 | 4CMC483M050EJ8 | 19.2 | 15.3 | 12.1 | 13.5 | 1 3/4 X 3 3/4 |
| 53000 | 4CMC533M050AE8 | 13.9 | 11.0 | 13.9 | 15.6 | 1 3/8 X 5 1/4 |
| 56000 | 4CMC563M050BB8 | 16.3 | 13.0 | 13.4 | 15.0 | 2 X 3 1/4 |
| 58000 | 4CMC583M050EC8 | 16.5 | 13.1 | 13.5 | 15.1 | 1 3/4 X 4 1/4 |
| 60000 | 4CMC603M050AF8 | 13.2 | 10.5 | 15.0 | 16.8 | 1 3/8 X 5 3/4 |
| 67000 | 4CMC673M050ED8 | 14.5 | 11.6 | 15.1 | 17.0 | 1 3/4 X 4 3/4 |
| 68000 | 4CMC683M050BJ8 | 15.0 | 12.0 | 15.6 | 17.5 | 2 X 3 3/4 |
| 76000 | 4CMC763M050EE8 | 13.1 | 10.5 | 16.9 | 18.9 | 1 3/4 X 5 1/4 |
| 82000 | 4CMC823M050BC8 | 14.3 | 11.4 | 16.1 | 18.0 | 2 X 4 1/4 |
| 85000 | 4CMC853M050EF8 | 12.1 | 9.6 | 18.8 | 21.1 | 1 3/4 X 5 3/4 |
| 91000 | 4CMC913M050BD8 | 12.7 | 10.1 | 17.6 | 19.8 | 2 X 4 3/4 |
| 100000 | 4CMC104M050BE8 | 11.8 | 9.4 | 19.0 | 21.3 | 2 X 5 1/4 |
| 120000 | 4CMC124M050BF8 | 10.5 | 8.4 | 20.7 | 23.2 | 2 X 5 3/4 |

| Cap. μF | Catalog Part Number | ESR Max. 25 °C | | Ripple Amps, 85 °C | | Nom Size D X L (in) |
|-------------------------|---------------------|-------------------------|-------------------------|--------------------|---------------|---------------------------|
| | | 120 Hz (m Ω) | 20 kHz (m Ω) | 120 Hz (A) | 20 kHz (A) | |
| 63 Vdc (75 Vdc Surge) | | | | | | |
| 7500 | 4CMC752M063AK8 | 44.1 | 35.1 | 5.1 | 5.7 | 1 3/8 X 1 3/4 |
| 12000 | 4CMC123M063AA8 | 26.8 | 21.4 | 7.4 | 8.3 | 1 3/8 X 2 1/4 |
| 16000 | 4CMC163M063EA8 | 28.2 | 22.5 | 8.3 | 9.3 | 1 3/4 X 2 1/4 |
| 16000 | 4CMC163M063AH8 | 23.5 | 18.8 | 8.2 | 9.2 | 1 3/8 X 2 3/4 |
| 21000 | 4CMC213M063AB8 | 18.7 | 14.9 | 9.9 | 11.1 | 1 3/8 X 3 1/4 |
| 22000 | 4CMC223M063EH8 | 21.2 | 16.9 | 10.3 | 11.5 | 1 3/4 X 2 3/4 |
| 26000 | 4CMC263M063AJ8 | 16.9 | 13.5 | 10.9 | 12.2 | 1 3/8 X 3 3/4 |
| 26000 | 4CMC263M063BA8 | 27.7 | 22.1 | 9.0 | 10.1 | 2 X 2 1/4 |
| 29000 | 4CMC293M063EB8 | 20.9 | 16.7 | 11.2 | 12.5 | 1 3/4 X 3 1/4 |
| 30000 | 4CMC303M063AC8 | 17.3 | 13.8 | 11.3 | 12.7 | 1 3/8 X 4 1/4 |
| 33000 | 4CMC333M063BH8 | 19.5 | 15.5 | 11.6 | 13.0 | 2 X 2 3/4 |
| 35000 | 4CMC353M063AD8 | 15.7 | 12.5 | 12.4 | 13.9 | 1 3/8 X 4 3/4 |
| 36000 | 4CMC363M063EJ8 | 20.0 | 16.0 | 11.8 | 13.2 | 1 3/4 X 3 3/4 |
| 38000 | 4CMC383M063AE8 | 14.5 | 11.5 | 13.8 | 15.5 | 1 3/8 X 5 1/4 |
| 43000 | 4CMC433M063EC8 | 17.2 | 13.7 | 13.2 | 14.8 | 1 3/4 X 4 1/4 |
| 44000 | 4CMC443M063AF8 | 13.7 | 10.9 | 14.7 | 16.5 | 1 3/8 X 5 3/4 |
| 47000 | 4CMC473M063BB8 | 16.2 | 12.9 | 13.4 | 15.0 | 2 X 3 1/4 |
| 50000 | 4CMC503M063ED8 | 15.2 | 12.2 | 14.8 | 16.6 | 1 3/4 X 4 3/4 |
| 53000 | 4CMC533M063BJ8 | 15.1 | 12.0 | 15.6 | 17.4 | 2 X 3 3/4 |
| 57000 | 4CMC573M063EE8 | 13.8 | 11.0 | 16.5 | 18.5 | 1 3/4 X 5 1/4 |
| 59000 | 4CMC593M063BC8 | 14.5 | 11.5 | 16.0 | 17.9 | 2 X 4 1/4 |
| 64000 | 4CMC643M063EF8 | 12.7 | 10.1 | 18.4 | 20.6 | 1 3/4 X 5 3/4 |
| 69000 | 4CMC693M063BD8 | 12.8 | 10.2 | 17.6 | 19.7 | 2 X 4 3/4 |
| 79000 | 4CMC793M063BE8 | 11.6 | 9.2 | 19.1 | 21.4 | 2 X 5 1/4 |
| 89000 | 4CMC893M063BF8 | 10.7 | 8.5 | 20.6 | 23.1 | 2 X 5 3/4 |
| 100 Vdc (125 Vdc Surge) | | | | | | |
| 5600 | 4CMC562M080AK8 | 59.6 | 47.5 | 4.4 | 4.9 | 1 3/8 X 1 3/4 |
| 8500 | 4CMC852M080AA8 | 36.2 | 28.8 | 6.4 | 7.2 | 1 3/8 X 2 1/4 |
| 12000 | 4CMC123M080EA8 | 38.4 | 30.6 | 7.2 | 8.0 | 1 3/4 X 2 1/4 |
| 12000 | 4CMC123M080AH8 | 31.5 | 25.1 | 7.1 | 7.9 | 1 3/8 X 2 3/4 |
| 15000 | 4CMC153M080AB8 | 31.6 | 25.2 | 7.6 | 8.5 | 1 3/8 X 3 1/4 |
| 17000 | 4CMC173M080EH8 | 34.0 | 27.1 | 8.1 | 9.1 | 1 3/4 X 2 3/4 |
| 18000 | 4CMC183M080BA8 | 32.8 | 26.1 | 8.3 | 9.3 | 2 X 2 1/4 |
| 19000 | 4CMC193M080AJ8 | 25.2 | 20.1 | 8.9 | 10.0 | 1 3/8 X 3 3/4 |
| 22000 | 4CMC223M080AC8 | 20.9 | 16.7 | 10.3 | 11.5 | 1 3/8 X 4 1/4 |
| 22000 | 4CMC223M080EB8 | 30.5 | 24.3 | 9.3 | 10.4 | 1 3/4 X 3 1/4 |
| 23000 | 4CMC233M080BH8 | 23.1 | 18.4 | 10.7 | 11.9 | 2 X 2 3/4 |
| 26000 | 4CMC263M080AD8 | 19.1 | 15.2 | 11.2 | 12.6 | 1 3/8 X 4 3/4 |
| 27000 | 4CMC273M080EJ8 | 25.1 | 20.0 | 10.5 | 11.8 | 1 3/4 X 3 3/4 |
| 29000 | 4CMC293M080AE8 | 17.7 | 14.1 | 12.5 | 14.0 | 1 3/8 X 5 1/4 |
| 30000 | 4CMC303M080BB8 | 19.2 | 15.3 | 12.3 | 13.8 | 2 X 3 1/4 |
| 32000 | 4CMC323M080AF8 | 16.7 | 13.3 | 13.3 | 14.9 | 1 3/8 X 5 3/4 |
| 32000 | 4CMC323M080EC8 | 21.5 | 17.1 | 11.8 | 13.2 | 1 3/4 X 4 1/4 |
| 37000 | 4CMC373M080BJ8 | 18.0 | 14.3 | 14.3 | 16.0 | 2 X 3 3/4 |
| 37000 | 4CMC373M080ED8 | 18.9 | 15.1 | 13.3 | 14.9 | 1 3/4 X 4 3/4 |
| 43000 | 4CMC433M080BC8 | 15.9 | 12.6 | 15.3 | 17.1 | 2 X 4 1/4 |
| 43000 | 4CMC433M080EE8 | 17.0 | 13.6 | 14.8 | 16.6 | 1 3/4 X 5 1/4 |
| 48000 | 4CMC483M080EF8 | 15.6 | 12.4 | 16.6 | 18.6 | 1 3/4 X 5 3/4 |
| 50000 | 4CMC503M080BD8 | 13.6 | 10.8 | 17.1 | 19.1 | 2 X 4 3/4 |
| 58000 | 4CMC583M080BE8 | 12.2 | 9.7 | 18.6 | 20.9 | 2 X 5 1/4 |
| 65000 | 4CMC653M080BF8 | 11.2 | 8.9 | 20.1 | 22.5 | 2 X 5 3/4 |
| 100 Vdc (125 Vdc Surge) | | | | | | |
| 3800 | 4CMC382M100AK8 | 58.6 | 46.7 | 4.4 | 4.9 | 1 3/8 X 1 3/4 |
| 6300 | 4CMC632M100AA8 | 35.6 | 28.3 | 6.5 | 7.2 | 1 3/8 X 2 1/4 |
| 8100 | 4CMC812M100AH8 | 32.8 | 26.2 | 2.2 | 2.5 | 1 3/8 X 2 3/4 |

Aluminum
Radial Leaded
Capacitors

Type 4CMC, 85 °C, High-Cap, Computer Grade, Radial Leaded

Ratings

| Cap. μ F | Catalog Part Number | ESR Max. 25 °C | | Ripple Amps, 85 °C | | Nom Size D X L (in) |
|--------------------------------|---------------------|----------------------|----------------------|--------------------|------------|---------------------|
| | | 120 Hz (m Ω) | 20 kHz (m Ω) | 120 Hz (A) | 20 kHz (A) | |
| 8200 | 4CMC822M100EA8 | 39.2 | 31.2 | 7.1 | 7.9 | 1 3/4 X 2 1/4 |
| 10000 | 4CMC103M100AB8 | 32.9 | 26.2 | 7.4 | 8.3 | 1 3/8 X 3 1/4 |
| 11000 | 4CMC113M100BA8 | 35.9 | 28.7 | 7.9 | 8.9 | 2 X 2 1/4 |
| 12000 | 4CMC123M100EH8 | 34.7 | 27.7 | 8.0 | 9.0 | 1 3/4 X 2 3/4 |
| 13000 | 4CMC133M100AJ8 | 31.7 | 25.3 | 7.9 | 8.9 | 1 3/8 X 3 3/4 |
| 15000 | 4CMC153M100EB8 | 31.1 | 24.8 | 9.2 | 10.3 | 1 3/4 X 3 1/4 |
| 15000 | 4CMC153M100AC8 | 27.4 | 21.8 | 0.9 | 1.1 | 1 3/8 X 4 1/4 |
| 16000 | 4CMC163M100BH8 | 26.4 | 21.0 | 10.0 | 11.2 | 2 X 2 3/4 |
| 17000 | 4CMC173M100AD8 | 24.2 | 19.3 | 10.0 | 11.2 | 1 3/8 X 4 3/4 |
| 19000 | 4CMC193M100EJ8 | 25.6 | 20.4 | 10.4 | 11.7 | 1 3/4 X 3 3/4 |
| 20000 | 4CMC203M100AE8 | 21.9 | 17.5 | 11.2 | 12.6 | 1 3/8 X 5 1/4 |
| 21000 | 4CMC213M100BB8 | 22.9 | 18.3 | 11.3 | 12.6 | 2 X 3 1/4 |
| 22000 | 4CMC223M100AF8 | 20.1 | 16.0 | 12.1 | 13.6 | 1 3/8 X 5 3/4 |
| 22000 | 4CMC223M100EC8 | 21.9 | 17.5 | 11.7 | 13.1 | 1 3/4 X 4 1/4 |
| 26000 | 4CMC263M100ED8 | 19.3 | 15.4 | 13.2 | 14.7 | 1 3/4 X 4 3/4 |
| 26000 | 4CMC263M100BJ8 | 23.6 | 18.8 | 12.5 | 13.9 | 2 X 3 3/4 |
| 30000 | 4CMC303M100EE8 | 17.3 | 13.8 | 14.7 | 16.5 | 1 3/4 X 5 1/4 |
| 30000 | 4CMC303M100BC8 | 20.2 | 16.1 | 13.5 | 15.2 | 2 X 4 1/4 |
| 33000 | 4CMC333M100EF8 | 15.8 | 12.6 | 16.4 | 18.4 | 1 3/4 X 5 3/4 |
| 35000 | 4CMC353M100BD8 | 17.8 | 14.2 | 14.9 | 16.7 | 2 X 4 3/4 |
| 40000 | 4CMC403M100BE8 | 16.1 | 12.8 | 16.3 | 18.2 | 2 X 5 1/4 |
| 45000 | 4CMC453M100BF8 | 14.7 | 11.7 | 17.5 | 19.6 | 2 X 5 3/4 |
| 160 Vdc (200 Vdc Surge) | | | | | | |
| 1500 | 4CMC152M160AK8 | 81.7 | 65.2 | 3.7 | 4.2 | 1 3/8 X 1 3/4 |
| 2500 | 4CMC252M160AA8 | 51.8 | 41.3 | 5.3 | 6.0 | 1 3/8 X 2 1/4 |
| 3500 | 4CMC352M160AH8 | 37.5 | 29.9 | 6.5 | 7.3 | 1 3/8 X 2 3/4 |
| 3700 | 4CMC372M160EA8 | 47.1 | 37.5 | 6.1 | 6.9 | 1 3/4 X 2 1/4 |
| 4500 | 4CMC452M160AB8 | 29.6 | 23.6 | 7.8 | 8.8 | 1 3/8 X 3 1/4 |
| 4800 | 4CMC482M160BA8 | 35.4 | 28.2 | 7.2 | 8.1 | 2 X 2 1/4 |
| 5200 | 4CMC522M160EH8 | 29.0 | 23.1 | 8.3 | 9.3 | 1 3/4 X 2 3/4 |
| 5500 | 4CMC552M160AJ8 | 23.5 | 18.7 | 29.3 | 32.8 | 1 3/8 X 3 3/4 |
| 6600 | 4CMC662M160AC8 | 20.2 | 16.1 | 10.5 | 11.7 | 1 3/8 X 4 1/4 |
| 6800 | 4CMC682M160EB8 | 22.5 | 17.9 | 10.2 | 11.5 | 1 3/4 X 3 1/4 |
| 7100 | 4CMC712M160AD8 | 18.6 | 14.8 | 11.4 | 12.8 | 1 3/8 X 4 3/4 |
| 7100 | 4CMC712M160BH8 | 26.5 | 21.2 | 9.0 | 10.1 | 2 X 2 3/4 |
| 8000 | 4CMC802M160AE8 | 16.8 | 13.4 | 12.6 | 14.2 | 1 3/8 X 5 1/4 |
| 8300 | 4CMC832M160EJ8 | 18.5 | 14.7 | 11.7 | 13.1 | 1 3/4 X 3 3/4 |
| 9000 | 4CMC902M160AF8 | 19.2 | 15.3 | 12.4 | 13.9 | 1 3/8 X 5 3/4 |
| 9300 | 4CMC932M160BB8 | 20.6 | 16.4 | 10.8 | 12.1 | 2 X 3 1/4 |
| 10000 | 4CMC1002M160EC8 | 15.8 | 12.6 | 13.1 | 14.6 | 1 3/4 X 4 1/4 |
| 11000 | 4CMC113M160BJ8 | 16.9 | 13.5 | 13.3 | 14.9 | 2 X 3 3/4 |
| 12000 | 4CMC123M160ED8 | 13.9 | 11.1 | 14.7 | 16.5 | 1 3/4 X 4 3/4 |
| 13000 | 4CMC133M160EE8 | 12.5 | 9.9 | 16.5 | 18.4 | 1 3/4 X 5 1/4 |
| 13000 | 4CMC133M160BC8 | 14.5 | 11.6 | 14.5 | 16.2 | 2 X 4 1/4 |
| 15000 | 4CMC153M160EF8 | 11.4 | 9.1 | 18.4 | 20.6 | 1 3/4 X 5 3/4 |
| 16000 | 4CMC163M160BD8 | 12.8 | 10.2 | 15.9 | 17.8 | 2 X 4 3/4 |
| 18000 | 4CMC183M160BE8 | 11.5 | 9.2 | 17.4 | 19.5 | 2 X 5 1/4 |
| 20000 | 4CMC203M160BF8 | 10.5 | 8.4 | 18.8 | 21.0 | 2 X 5 3/4 |
| 200 Vdc (250 Vdc Surge) | | | | | | |
| 1200 | 4CMC122M200AK8 | 105.2 | 60.4 | 3.1 | 4.1 | 1 3/8 X 1 3/4 |
| 1900 | 4CMC192M200AA8 | 66.6 | 38.2 | 4.5 | 5.9 | 1 3/8 X 2 1/4 |
| 2700 | 4CMC272M200AH8 | 48.0 | 27.6 | 5.4 | 7.2 | 1 3/8 X 2 3/4 |
| 2700 | 4CMC272M200EA8 | 60.0 | 34.4 | 5.3 | 7.0 | 1 3/4 X 2 1/4 |
| 3500 | 4CMC352M200AB8 | 37.8 | 21.7 | 6.6 | 8.7 | 1 3/8 X 3 1/4 |
| 3500 | 4CMC352M200BA8 | 44.2 | 30.7 | 6.6 | 7.9 | 2 X 2 1/4 |
| 3700 | 4CMC372M200EH8 | 38.1 | 21.9 | 6.9 | 9.1 | 1 3/4 X 2 3/4 |
| 4300 | 4CMC432M200AJ8 | 29.9 | 17.2 | 7.8 | 10.2 | 1 3/8 X 3 3/4 |

| Cap. μ F | Catalog Part Number | ESR Max. 25 °C | | Ripple Amps, 85 °C | | Nom Size D X L (in) |
|--------------------------------|---------------------|----------------------|----------------------|--------------------|------------|---------------------|
| | | 120 Hz (m Ω) | 20 kHz (m Ω) | 120 Hz (A) | 20 kHz (A) | |
| 4800 | 4CMC482M200EB8 | 29.4 | 16.9 | 8.5 | 11.2 | 1 3/4 X 3 1/4 |
| 5000 | 4CMC502M200BH8 | 33.1 | 23.0 | 8.2 | 9.8 | 2 X 2 3/4 |
| 5100 | 4CMC512M200AC8 | 25.7 | 14.7 | 8.8 | 11.7 | 1 3/8 X 4 1/4 |
| 5800 | 4CMC582M200AD8 | 22.6 | 13.0 | 9.8 | 12.9 | 1 3/8 X 4 3/4 |
| 5900 | 4CMC592M200EJ8 | 24.1 | 13.8 | 9.7 | 12.7 | 1 3/4 X 3 3/4 |
| 6600 | 4CMC662M200AE8 | 20.3 | 11.6 | 10.9 | 14.4 | 1 3/8 X 5 1/4 |
| 6800 | 4CMC682M200BB8 | 25.6 | 17.8 | 9.8 | 11.8 | 2 X 3 1/4 |
| 7100 | 4CMC712M200EC8 | 20.5 | 11.8 | 10.8 | 14.3 | 1 3/4 X 4 1/4 |
| 7400 | 4CMC742M200AF8 | 23.1 | 13.3 | 10.7 | 14.2 | 1 3/8 X 5 3/4 |
| 8100 | 4CMC812M200BJ8 | 21.0 | 14.6 | 12.2 | 14.6 | 2 X 3 3/4 |
| 8200 | 4CMC822M200ED8 | 17.9 | 10.3 | 12.2 | 16.1 | 1 3/4 X 4 3/4 |
| 9300 | 4CMC932M200EE8 | 16.0 | 9.2 | 13.7 | 18.1 | 1 3/4 X 5 1/4 |
| 9500 | 4CMC952M200BC8 | 19.1 | 13.3 | 12.8 | 15.4 | 2 X 4 1/4 |
| 10000 | 4CMC103M200EF8 | 14.5 | 8.3 | 15.4 | 20.3 | 1 3/4 X 5 3/4 |
| 11000 | 4CMC113M200BD8 | 15.7 | 10.9 | 14.6 | 17.5 | 2 X 4 3/4 |
| 12000 | 4CMC123M200BE8 | 14.1 | 9.8 | 16.0 | 19.2 | 2 X 5 1/4 |
| 14000 | 4CMC143M200BF8 | 12.8 | 8.9 | 17.3 | 20.8 | 2 X 5 3/4 |
| 250 Vdc (300 Vdc Surge) | | | | | | |
| 890 | 4CMC891M250AK8 | 137.0 | 78.6 | 2.6 | 3.4 | 1 3/8 X 1 3/4 |
| 1500 | 4CMC152M250AA8 | 86.5 | 49.7 | 3.7 | 4.9 | 1 3/8 X 2 1/4 |
| 1900 | 4CMC192M250EA8 | 68.7 | 39.4 | 4.8 | 6.3 | 1 3/4 X 2 1/4 |
| 2100 | 4CMC212M250AH8 | 62.3 | 35.7 | 4.5 | 6.0 | 1 3/8 X 2 3/4 |
| 2700 | 4CMC272M250BA8 | 54.2 | 37.6 | 5.8 | 7.0 | 2 X 2 1/4 |
| 2700 | 4CMC272M250AB8 | 48.8 | 28.0 | 5.5 | 7.2 | 1 3/8 X 3 1/4 |
| 2800 | 4CMC282M250EH8 | 47.8 | 27.4 | 6.1 | 8.1 | 1 3/4 X 2 3/4 |
| 3200 | 4CMC322M250AJ8 | 38.6 | 22.1 | 6.5 | 8.5 | 1 3/8 X 3 3/4 |
| 3700 | 4CMC372M250EB8 | 36.8 | 21.1 | 7.6 | 10.0 | 1 3/4 X 3 1/4 |
| 3800 | 4CMC382M250BH8 | 40.5 | 28.1 | 7.2 | 8.7 | 2 X 2 3/4 |
| 3900 | 4CMC392M250AC8 | 33.0 | 18.9 | 7.4 | 9.7 | 1 3/8 X 4 1/4 |
| 4400 | 4CMC442M250AD8 | 29.0 | 16.6 | 8.2 | 10.8 | 1 3/8 X 4 3/4 |
| 4500 | 4CMC452M250EJ8 | 30.1 | 17.3 | 8.6 | 11.4 | 1 3/4 X 3 3/4 |
| 5000 | 4CMC502M250AE8 | 25.9 | 14.9 | 9.1 | 12.0 | 1 3/8 X 5 1/4 |
| 5000 | 4CMC502M250BB8 | 31.2 | 21.7 | 8.7 | 10.4 | 2 X 3 1/4 |
| 5400 | 4CMC542M250EC8 | 25.5 | 14.7 | 9.7 | 12.8 | 1 3/4 X 4 1/4 |
| 5600 | 4CMC562M250AF8 | 29.4 | 16.9 | 9.0 | 11.9 | 1 3/8 X 5 3/4 |
| 6200 | 4CMC622M250BJ8 | 25.5 | 17.7 | 10.7 | 12.9 | 2 X 3 3/4 |
| 6300 | 4CMC632M250ED8 | 22.3 | 12.8 | 11.0 | 14.5 | 1 3/4 X 4 3/4 |
| 7200 | 4CMC722M250EE8 | 19.8 | 11.4 | 12.3 | 16.3 | 1 3/4 X 5 1/4 |
| 7300 | 4CMC732M250BC8 | 21.7 | 15.1 | 11.7 | 14.0 | 2 X 4 1/4 |
| 8100 | 4CMC812M250EF8 | 18.0 | 10.3 | 13.8 | 18.3 | 1 3/4 X 5 3/4 |
| 8500 | 4CMC852M250BD8 | 19.0 | 13.2 | 12.9 | 15.5 | 2 X 4 3/4 |
| 9700 | 4CMC972M250BE8 | 17.0 | 11.8 | 14.2 | 17.0 | 2 X 5 1/4 |
| 11000 | 4CMC113M250BF8 | 15.4 | 10.7 | 15.4 | 18.4 | 2 X 5 3/4 |
| 300 Vdc (350 Vdc Surge) | | | | | | |
| 520 | 4CMC521M300AK8 | 245 | 141 | 2.2 | 2.9 | 1 3/8 X 1 3/4 |
| 870 | 4CMC871M300AA8 | 148 | 84.7 | 3.1 | 4.1 | 1 3/8 X 2 1/4 |
| 1200 | 4CMC122M300AH8 | 106 | 60.7 | 4.0 | 5.3 | 1 3/8 X 2 3/4 |
| 1300 | 4CMC132M300EA8 | 111 | 63.8 | 4.2 | 5.5 | 1 3/4 X 2 1/4 |
| 1600 | 4CMC162M300BA8 | 93.2 | 51.9 | 5.0 | 6.7 | 2 X 2 1/4 |
| 1600 | 4CMC162M300AB8 | 82.7 | 47.5 | 4.8 | 6.3 | 1 3/8 X 3 1/4 |
| 1800 | 4CMC182M300EH8 | 99.2 | 56.9 | 4.8 | 6.3 | 1 3/4 X 2 3/4 |
| 1900 | 4CMC192M300AJ8 | 68.0 | 39.0 | 5.6 | 7.4 | 1 3/8 X 3 3/4 |
| 2200 | 4CMC222M300BH8 | 67.1 | 37.4 | 6.3 | 8.4 | 2 X 2 3/4 |
| 2300 | 4CMC232M300AC8 | 57.9 | 33.2 | 6.4 | 8.4 | 1 3/8 X 4 1/4 |
| 2300 | 4CMC232M300EB8 | 76.1 | 43.7 | 5.8 | 7.7 | 1 3/4 X 3 1/4 |
| 2600 | 4CMC262M300AD8 | 50.6 | 29.0 | 7.1 | 9.4 | 1 3/8 X 4 3/4 |
| 2900 | 4CMC292M300AE8 | 45.0 | 25.8 | 7.8 | 10.3 | 1 3/8 X 5 1/4 |
| 2900 | 4CMC292M300BB8 | 51.6 | 28.7 | 7.6 | 10.2 | 2 X 3 1/4 |

Aluminum Radial Leaded Capacitors

Type 4CMC, 85 °C, High-Cap, Computer Grade, Radial Leaded

Ratings

| Cap. μ F | Catalog Part Number | ESR Max. 25 °C | | Ripple Amps, 85 °C | | Nom Size D X L (in) |
|--------------------------------|---------------------|----------------------|----------------------|--------------------|------------|---------------------|
| | | 120 Hz (m Ω) | 20 kHz (m Ω) | 120 Hz (A) | 20 kHz (A) | |
| 2900 | 4CMC292M300EJ8 | 61.9 | 35.5 | 6.8 | 8.9 | 1 3/4 X 3 3/4 |
| 3300 | 4CMC332M300AF8 | 50.7 | 29.1 | 7.6 | 10.1 | 1 3/8 X 5 3/4 |
| 3500 | 4CMC352M300EC8 | 52.2 | 30.0 | 7.7 | 10.2 | 1 3/4 X 4 1/4 |
| 3600 | 4CMC362M300BJ8 | 51.2 | 28.5 | 8.1 | 10.8 | 2 X 3 3/4 |
| 4000 | 4CMC402M300ED8 | 45.3 | 26.0 | 8.6 | 11.4 | 1 3/4 X 4 3/4 |
| 4300 | 4CMC432M300BC8 | 43.3 | 24.1 | 9.2 | 12.3 | 2 X 4 1/4 |
| 4600 | 4CMC462M300EE8 | 40.1 | 23.0 | 9.5 | 12.6 | 1 3/4 X 5 1/4 |
| 4900 | 4CMC492M300BD8 | 38.0 | 21.2 | 10.2 | 13.7 | 2 X 4 3/4 |
| 5100 | 4CMC512M300EF8 | 36.0 | 20.6 | 10.4 | 13.7 | 1 3/4 X 5 3/4 |
| 5700 | 4CMC572M300BE8 | 33.3 | 18.5 | 11.3 | 15.1 | 2 X 5 1/4 |
| 6400 | 4CMC642M300BF8 | 29.9 | 16.7 | 12.3 | 16.5 | 2 X 5 3/4 |
| 350 Vdc (400 Vdc Surge) | | | | | | |
| 430 | 4CMC431M350AK8 | 264.1 | 151.6 | 2.1 | 2.8 | 1 3/8 X 1 3/4 |
| 710 | 4CMC711M350AA8 | 158.9 | 91.2 | 3.1 | 4.0 | 1 3/8 X 2 1/4 |
| 1000 | 4CMC102M350EA8 | 119.2 | 68.4 | 4.1 | 5.4 | 1 3/4 X 2 1/4 |
| 1000 | 4CMC102M350AH8 | 113.9 | 65.4 | 3.7 | 4.9 | 1 3/8 X 2 3/4 |
| 1200 | 4CMC122M350BA8 | 98.1 | 54.6 | 4.8 | 6.4 | 2 X 2 1/4 |
| 1300 | 4CMC132M350EH8 | 105.1 | 60.3 | 4.6 | 6.1 | 1 3/4 X 2 3/4 |
| 1300 | 4CMC132M350AB8 | 89.0 | 51.1 | 4.5 | 6.0 | 1 3/8 X 3 1/4 |
| 1600 | 4CMC162M350BH8 | 71.8 | 40.0 | 6.0 | 8.1 | 2 X 2 3/4 |
| 1600 | 4CMC162M350AJ8 | 73.2 | 42.0 | 5.2 | 6.9 | 1 3/8 X 3 3/4 |
| 1700 | 4CMC172M350EB8 | 80.6 | 46.3 | 5.7 | 7.5 | 1 3/4 X 3 1/4 |
| 1800 | 4CMC182M350AC8 | 62.3 | 35.8 | 6.0 | 7.9 | 1 3/8 X 4 1/4 |
| 2100 | 4CMC212M350BB8 | 55.1 | 30.7 | 7.3 | 9.7 | 2 X 3 1/4 |
| 2100 | 4CMC212M350AD8 | 54.4 | 31.2 | 6.7 | 8.8 | 1 3/8 X 4 3/4 |
| 2100 | 4CMC212M350EJ8 | 65.5 | 37.6 | 6.5 | 8.6 | 1 3/4 X 3 3/4 |
| 2400 | 4CMC242M350AE8 | 48.3 | 27.7 | 7.4 | 9.8 | 1 3/8 X 5 1/4 |
| 2500 | 4CMC252M350EC8 | 55.3 | 31.7 | 7.4 | 9.7 | 1 3/4 X 4 1/4 |
| 2600 | 4CMC262M350BJ8 | 47.9 | 26.7 | 8.7 | 11.7 | 2 X 3 3/4 |
| 2700 | 4CMC272M350AF8 | 54.5 | 31.3 | 7.4 | 9.7 | 1 3/8 X 5 3/4 |
| 2900 | 4CMC292M350ED8 | 47.9 | 27.5 | 8.3 | 11.0 | 1 3/4 X 4 3/4 |
| 3100 | 4CMC312M350BC8 | 45.7 | 25.5 | 9.0 | 12.1 | 2 X 4 1/4 |
| 3300 | 4CMC332M350EE8 | 42.4 | 24.3 | 9.4 | 12.4 | 1 3/4 X 5 1/4 |
| 3600 | 4CMC362M350BD8 | 40.1 | 22.4 | 9.9 | 13.3 | 2 X 4 3/4 |
| 3700 | 4CMC372M350EF8 | 38.0 | 21.8 | 10.6 | 14.0 | 1 3/4 X 5 3/4 |
| 4200 | 4CMC422M350BE8 | 35.1 | 19.6 | 11.0 | 14.7 | 2 X 5 1/4 |
| 4700 | 4CMC472M350BF8 | 31.6 | 17.6 | 12.0 | 16.0 | 2 X 5 3/4 |
| 400 Vdc (450 Vdc Surge) | | | | | | |
| 320 | 4CMC321M400AK2B | 382 | 195 | 1.7 | 2.4 | 1 3/8 X 1 3/4 |
| 590 | 4CMC591M400AA2B | 212 | 108 | 2.6 | 3.7 | 1 3/8 X 2 1/4 |
| 800 | 4CMC801M400AH2B | 156 | 79.4 | 3.2 | 4.5 | 1 3/8 X 2 3/4 |
| 840 | 4CMC841M400EA8 | 154 | 78.8 | 3.6 | 5.0 | 1 3/4 X 2 1/4 |
| 1000 | 4CMC102M400BA8 | 130 | 72.2 | 4.2 | 5.6 | 2 X 2 1/4 |
| 1000 | 4CMC102M400AB2B | 119 | 60.9 | 3.9 | 5.5 | 1 3/8 X 3 1/4 |
| 1200 | 4CMC122M400EH8 | 107 | 54.6 | 4.6 | 6.4 | 1 3/4 X 2 3/4 |
| 1300 | 4CMC132M400AJ2B | 96.9 | 49.5 | 4.5 | 6.4 | 1 3/8 X 3 3/4 |
| 1400 | 4CMC142M400BH8 | 93.6 | 52.1 | 5.3 | 7.1 | 2 X 2 3/4 |
| 1500 | 4CMC152M400EB8 | 87.4 | 44.6 | 5.5 | 7.7 | 1 3/4 X 3 1/4 |
| 1500 | 4CMC152M400AC2B | 81.8 | 41.7 | 0.5 | 0.8 | 1 3/8 X 4 1/4 |
| 1600 | 4CMC162M400AD2B | 78.6 | 40.1 | 5.5 | 7.8 | 1 3/8 X 4 3/4 |
| 1800 | 4CMC182M400EJ8 | 71.0 | 36.2 | 6.3 | 8.8 | 1 3/4 X 3 3/4 |
| 1800 | 4CMC182M400AE2B | 69.5 | 35.4 | 6.2 | 8.7 | 1 3/8 X 5 1/4 |
| 1900 | 4CMC192M400BB8 | 71.9 | 40.0 | 6.4 | 8.5 | 2 X 3 1/4 |
| 2000 | 4CMC202M400AF2B | 77.9 | 39.7 | 6.2 | 8.6 | 1 3/8 X 5 3/4 |
| 2100 | 4CMC212M400EC8 | 59.9 | 30.5 | 7.1 | 9.9 | 1 3/4 X 4 1/4 |
| 2300 | 4CMC232M400BJ8 | 58.4 | 32.5 | 7.9 | 10.6 | 2 X 3 3/4 |
| 2500 | 4CMC252M400ED8 | 51.9 | 26.5 | 8.0 | 11.2 | 1 3/4 X 4 3/4 |
| 2700 | 4CMC272M400BC8 | 49.3 | 27.5 | 8.7 | 11.6 | 2 X 4 1/4 |

| Cap. μ F | Catalog Part Number | ESR Max. 25 °C | | Ripple Amps, 85 °C | | Nom Size D X L (in) |
|--------------------------------|---------------------|----------------------|----------------------|--------------------|------------|---------------------|
| | | 120 Hz (m Ω) | 20 kHz (m Ω) | 120 Hz (A) | 20 kHz (A) | |
| 2900 | 4CMC292M400EE8 | 45.8 | 23.4 | 9.0 | 12.7 | 1 3/4 X 5 1/4 |
| 3200 | 4CMC322M400EF8 | 41.1 | 21.0 | 10.2 | 14.3 | 1 3/4 X 5 3/4 |
| 3200 | 4CMC322M400BD8 | 42.8 | 23.8 | 9.6 | 12.9 | 2 X 4 3/4 |
| 3600 | 4CMC362M400BE8 | 37.9 | 21.1 | 10.6 | 14.2 | 2 X 5 1/4 |
| 4100 | 4CMC412M400BF8 | 34.0 | 18.9 | 11.5 | 15.4 | 2 X 5 3/4 |
| 450 Vdc (500 Vdc Surge) | | | | | | |
| 330 | 4CMC331M450AK8 | 281 | 143 | 1.8 | 2.5 | 1 3/8 X 1 3/4 |
| 490 | 4CMC491M450AA8 | 188 | 95.7 | 2.5 | 3.4 | 1 3/8 X 2 1/4 |
| 600 | 4CMC601M450AH8 | 138 | 70.4 | 3.0 | 4.1 | 1 3/8 X 2 3/4 |
| 690 | 4CMC691M450EA8 | 163 | 83.3 | 3.3 | 4.6 | 1 3/4 X 2 1/4 |
| 860 | 4CMC861M450BA8 | 116 | 64.8 | 4.1 | 5.6 | 2 X 2 1/4 |
| 860 | 4CMC861M450AB8 | 106 | 54.0 | 3.6 | 5.1 | 1 3/8 X 3 1/4 |
| 930 | 4CMC931M450EH8 | 121 | 61.5 | 4.1 | 5.7 | 1 3/4 X 2 3/4 |
| 1000 | 4CMC102M450AJ8 | 86.1 | 43.9 | 4.2 | 5.9 | 1 3/8 X 3 3/4 |
| 1100 | 4CMC112M450BH8 | 98.9 | 55.1 | 4.8 | 6.5 | 2 X 2 3/4 |
| 1200 | 4CMC122M450EB8 | 92.4 | 47.1 | 5.0 | 7.0 | 1 3/4 X 3 1/4 |
| 1200 | 4CMC122M450AC8 | 72.7 | 37.1 | 4.8 | 6.8 | 1 3/8 X 4 1/4 |
| 1300 | 4CMC132M450AD8 | 69.9 | 35.7 | 5.1 | 7.2 | 1 3/8 X 4 3/4 |
| 1500 | 4CMC152M450BB8 | 75.9 | 42.2 | 5.8 | 7.8 | 2 X 3 1/4 |
| 1500 | 4CMC152M450AE8 | 61.8 | 31.5 | 5.7 | 8.0 | 1 3/8 X 5 1/4 |
| 1500 | 4CMC152M450EJ8 | 75.1 | 38.3 | 5.7 | 8.0 | 1 3/4 X 3 3/4 |
| 1600 | 4CMC162M450AF8 | 69.3 | 35.4 | 5.7 | 8.0 | 1 3/8 X 5 3/4 |
| 1800 | 4CMC182M450EC8 | 63.3 | 32.3 | 6.5 | 9.1 | 1 3/4 X 4 1/4 |
| 1900 | 4CMC192M450BJ8 | 61.7 | 34.3 | 7.2 | 9.7 | 2 X 3 3/4 |
| 2100 | 4CMC212M450ED8 | 54.8 | 28.0 | 7.3 | 10.3 | 1 3/4 X 4 3/4 |
| 2200 | 4CMC222M450BC8 | 52.1 | 29.0 | 7.9 | 10.6 | 2 X 4 1/4 |
| 2300 | 4CMC232M450EE8 | 48.4 | 24.7 | 8.3 | 11.6 | 1 3/4 X 5 1/4 |
| 2600 | 4CMC262M450EF8 | 43.5 | 22.2 | 9.3 | 13.0 | 1 3/4 X 5 3/4 |
| 2600 | 4CMC262M450BD8 | 45.7 | 25.4 | 8.7 | 11.7 | 2 X 4 3/4 |
| 3100 | 4CMC312M450BE8 | 38.8 | 21.6 | 9.8 | 13.1 | 2 X 5 1/4 |
| 3400 | 4CMC342M450BF8 | 35.0 | 19.5 | 10.7 | 14.3 | 2 X 5 3/4 |
| 500 Vdc (550 Vdc Surge) | | | | | | |
| 210 | 4CMC211M500AK8 | 487 | 287 | 1.5 | 2.1 | 1 3/8 X 1 3/4 |
| 310 | 4CMC311M500AA8 | 325 | 191 | 2.1 | 3.0 | 1 3/8 X 2 1/4 |
| 440 | 4CMC441M500EA8 | 238 | 140 | 2.9 | 4.0 | 1 3/4 X 2 1/4 |
| 450 | 4CMC451M500AH8 | 225 | 133 | 2.6 | 3.7 | 1 3/8 X 2 3/4 |
| 560 | 4CMC561M500BA8 | 193 | 114 | 3.4 | 4.6 | 2 X 2 1/4 |
| 590 | 4CMC591M500AB8 | 173 | 102 | 3.2 | 4.5 | 1 3/8 X 3 1/4 |
| 630 | 4CMC631M500EH8 | 165 | 97.2 | 3.7 | 5.2 | 1 3/4 X 2 3/4 |
| 730 | 4CMC731M500AJ8 | 140 | 82.6 | 3.8 | 5.3 | 1 3/8 X 3 3/4 |
| 780 | 4CMC781M500BH8 | 134 | 78.7 | 4.4 | 5.9 | 2 X 2 3/4 |
| 820 | 4CMC821M500EB8 | 126 | 74.4 | 4.5 | 6.4 | 1 3/4 X 3 1/4 |
| 820 | 4CMC821M500AC8 | 125 | 73.6 | 4.2 | 5.9 | 1 3/8 X 4 1/4 |
| 900 | 4CMC901M500AD8 | 113 | 66.4 | 4.6 | 6.5 | 1 3/8 X 4 3/4 |
| 1000 | 4CMC102M500BB8 | 103 | 60.3 | 5.3 | 7.1 | 2 X 3 1/4 |
| 1000 | 4CMC102M500AE8 | 99 | 58.5 | 5.2 | 7.3 | 1 3/8 X 5 1/4 |
| 1000 | 4CMC102M500EJ8 | 103 | 60.4 | 5.2 | 7.3 | 1 3/4 X 3 3/4 |
| 1100 | 4CMC112M500AF8 | 114 | 67.3 | 5.1 | 7.1 | 1 3/8 X 5 3/4 |
| 1200 | 4CMC122M500EC8 | 86.4 | 50.9 | 5.9 | 8.3 | 1 3/4 X 4 1/4 |
| 1300 | 4CMC132M500BJ8 | 83.2 | 49.0 | 6.6 | 8.9 | 2 X 3 3/4 |
| 1400 | 4CMC142M500ED8 | 74.8 | 44.0 | 6.7 | 9.4 | 1 3/4 X 4 3/4 |
| 1500 | 4CMC152M500BC8 | 70.2 | 41.3 | 7.3 | 9.7 | 2 X 4 1/4 |
| 1600 | 4CMC162M500EE8 | 66.0 | 38.8 | 7.5 | 10.6 | 1 3/4 X 5 1/4 |
| 1800 | 4CMC182M500EF8 | 59.1 | 34.8 | 8.5 | 11.9 | 1 3/4 X 5 3/4 |
| 1800 | 4CMC182M500BD8 | 60.7 | 35.8 | 8.1 | 10.8 | 2 X 4 3/4 |
| 2100 | 4CMC212M500BE8 | 52.1 | 30.7 | 9.0 | 12.1 | 2 X 5 1/4 |
| 2300 | 4CMC232M500BF8 | 46.9 | 27.6 | 9.8 | 13.2 | 2 X 5 3/4 |

Aluminum Radial Leaded Capacitors