

Distinctive Characteristics

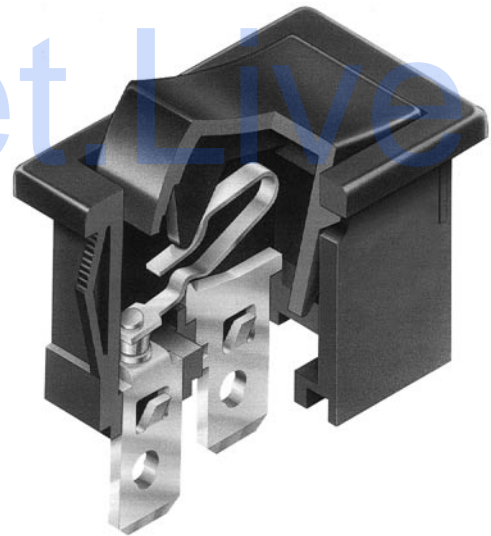
CWSA

- Low cost molded rocker.
- See-saw contact mechanism
- Stable stationary contact construction for high reliability.
- Easily installed with snap-in mounting.
- Large terminal hole dimensioned .067" x .098" (1.7mm x 2.5mm) simplifies wiring and soldering.
- Wave Soldering (PC version): See Profile A in Supplement section.
- Manual Soldering: See Profile A in Supplement section.



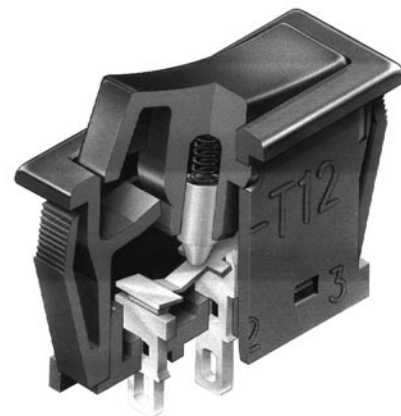
CWSB

- Low cost molded rocker.
- Snap-acting contact mechanism gives smooth actuation and audible feedback.
- Stable stationary contact construction for high reliability.
- Front panel, snap-in mounting for labor-saving installation.
- Solder lug/quick connect terminals can be used with connectors.
- Manual Soldering: See Profile B in Supplement section.



CWT

- Low cost molded rocker in compact, slim design.
- See-saw contact mechanism
- Outstanding insulation resistance and dielectric strength.
- Dust proof construction protects contact area.
- Stable stationary contact construction for high reliability.
- Front panel, snap-in mounting for labor-saving installation.
- Terminals are molded in and epoxy sealed to lock out flux, dust, and other contaminants.
- Manual Soldering: See Profile A in Supplement section.



General Specifications

| | | |
|-----------------------------|---------------------------------|---|
| CWSA | Electrical Capacity | |
| | Power Level: | For Resistive Load 6A @ 250V AC |
| | Other Ratings | |
| | Contact Resistance: | 20 milliohms maximum |
| | Insulation Resistance: | 500 megohms minimum @ 500V DC |
| | Dielectric Strength: | 1,500V AC minimum between contacts for 1 minute minimum 3,000V AC minimum between contacts & case for 1 minute minimum |
| | Mechanical Life: | 30,000 operations minimum |
| | Electrical Life: | 10,000 operations minimum with Resistive Load & 6,000 operations with Inductive Load |
| | Nominal Operating Force: | 2.50N |
| | Angle of Throw: | 30° |
| | Materials & Finishes | |
| | Rocker: | Polycarbonate |
| Housing: | Polyamide | |
| Movable Contactor: | Brass w/silver alloy plating | |
| Movable Contacts: | Silver | |
| Stationary Contacts: | Silver alloy | |
| Base: | Laminated thermosetting sheets | |
| Contact Terminals: | Copper with silver plating | |
| Common Terminals: | Brass with silver plating | |

| | | |
|-----------------------------|---|---|
| CWSB | Electrical Capacity | |
| | Power Level: | For Resistive Load 6A @ 250V AC |
| | Other Ratings | |
| | Contact Resistance: | 20 milliohms maximum |
| | Insulation Resistance: | 500 megohms minimum @ 500V DC |
| | Dielectric Strength: | 1,500V AC minimum between contacts for 1 minute minimum 3,000V AC minimum between contacts & case for 1 minute minimum |
| | Mechanical Life: | 30,000 operations minimum |
| | Electrical Life: | 10,000 operations minimum with Resistive Load & 6,000 operations with Inductive Load |
| | Nominal Operating Force: | 6.50N for single pole models; 10.0N for double pole models |
| | Angle of Throw: | 30° |
| | Materials & Finishes | |
| | Rocker: | Polycarbonate |
| Housing: | Polyamide | |
| Movable Contactor: | Beryllium copper w/silver alloy plating | |
| Movable Contacts: | Silver | |
| Stationary Contacts: | Silver alloy | |
| Base: | Laminated thermosetting sheets | |
| Terminals: | Brass with silver plating | |

| | | |
|---------------------------|------------------------------------|---|
| CWT | Electrical Capacity | |
| | Power Level: | For Resistive Load 6A @ 125V AC; 3A @ 250V AC; 4A @ 30V DC |
| | Other Ratings | |
| | Contact Resistance: | 20 milliohms maximum |
| | Insulation Resistance: | 1,000 megohms minimum @ 500V DC |
| | Dielectric Strength: | 1,000V AC minimum between contacts for 1 minute minimum 1,500V AC minimum between contacts & case for 1 minute minimum |
| | Mechanical Life: | 50,000 operations minimum |
| | Electrical Life: | 25,000 operations minimum |
| | Nominal Operating Force: | 2.0N |
| | Angle of Throw: | 30° |
| | Materials & Finishes | |
| | Rocker: | Glass fiber reinforced polyamide |
| Housing: | Polyamide | |
| Movable Contactor: | Phosphor bronze w/silver plating | |
| Movable Contacts: | Silver alloy | |
| Base: | LCP (Liquid Crystal Polymer) | |
| Contact Terminals: | Brass + silver with silver plating | |
| Common Terminals: | Brass with silver plating | |

STANDARDS & CERTIFICATIONS

CWSA

Specific CWSA models listed below are qualified for Underwriters Laboratories Inc. recognition and Canadian Standards Association certification. C-UL marking on case is standard as noted in following table.



| <u>Model</u> | <u>Ratings @ AC</u> | <u>C-UL File No.</u> | <u>Marking on Case</u> |
|--------------|---------------------|----------------------|------------------------|
| CWSA11 | 6A @ 250V | WOYR8.E44145 | Standard |
| CWSA12 | 6A @ 250V | WOYR8.E44145 | Standard |

CWSB

Specific CWSB models listed below are qualified for Underwriters Laboratories Inc. recognition and Canadian Standards Association certification. C-UL marking on case is standard as noted in following table.



| <u>Model</u> | <u>Ratings @ AC</u> | <u>C-UL File No.</u> | <u>Marking on Case</u> |
|--------------|---------------------|----------------------|------------------------|
| CWSB11 | 6A @ 250V | WOYR8.E44145 | Standard |
| CWSB21 | 6A @ 250V | WOYR8.E44145 | Standard |

CWT

Specific CWT model listed below is qualified for Underwriters Laboratories Inc. recognition and Canadian Standards Association certification. C-UL marking on case is standard as noted in following table.



| <u>Model</u> | <u>Ratings @ AC</u> | <u>C-UL File No.</u> | <u>Marking on Case</u> |
|--------------|------------------------|----------------------|------------------------|
| CWT12 | 6A @ 125V 3A @ 250V | WOYR8.E44145 | Standard |

TYPICAL SWITCH ORDERING EXAMPLES

CWSA 1 1 A A N S

| POLE | |
|------|-------------|
| 1 | SPST & SPDT |

| CIRCUITS | | | |
|----------|----|------|-----|
| 1 | ON | NONE | OFF |
| 2 | ON | NONE | ON |


| CAP COLOR | |
|-----------|-------|
| A | Black |

| HOUSING | |
|---------|-------|
| A | Black |

| INSCRIPTION | |
|-----------------|-------------|
| For SPST & SPDT | |
| No Code | None |
| For SPST | |
| 1 | Horizontal |
| 2 | Vertical |
| 3 | Dot Marking |

| TERMINALS | |
|-----------|----------------|
| S | Solder Lug |
| H | Right Angle PC |

TYPICAL ORDERING EXAMPLE
CWSA11AANS



CWSB 2 1 A A 2 F

| POLES | |
|-------|------|
| 1 | SPST |
| 2 | DPST |

| CIRCUIT | | | |
|---------|----|------|-----|
| 1 | ON | NONE | OFF |


| CAP COLOR | |
|-----------|-------|
| A | Black |

| HOUSING | |
|---------|-------|
| A | Black |

| INSCRIPTION | |
|-------------|-------------------------|
| No Code | None (SPST only) |
| 1 | Horizontal |
| 2 | Vertical |
| 3 | Dot Marking (SPST only) |

| TERMINALS | |
|-----------|----------------|
| F | Quick Connect |
| H | Right Angle PC |

TYPICAL ORDERING EXAMPLE
CWSB21AA2F



CWT 1 2 A A S1

| POLE | |
|------|------|
| 1 | SPDT |


| CIRCUIT | | | |
|---------|----|------|----|
| 2 | ON | NONE | ON |

| CAP COLOR | |
|-----------|-------|
| A | Black |

| HOUSING | |
|---------|-------|
| A | Black |

| TERMINALS | |
|-----------|------------|
| S1 | Solder Lug |

TYPICAL ORDERING EXAMPLE
CWT12AAS1



INSCRIPTIONS

No Code

None

Not available in double pole.



1

Horizontal Orientation

Only On-None-Off models are available with the horizontal inscription.



2

Vertical Orientation

Only On-None-Off models are available with the vertical inscription.



3

Dot Marking

Only Single Pole On-None-Off models are available with the dot inscription.

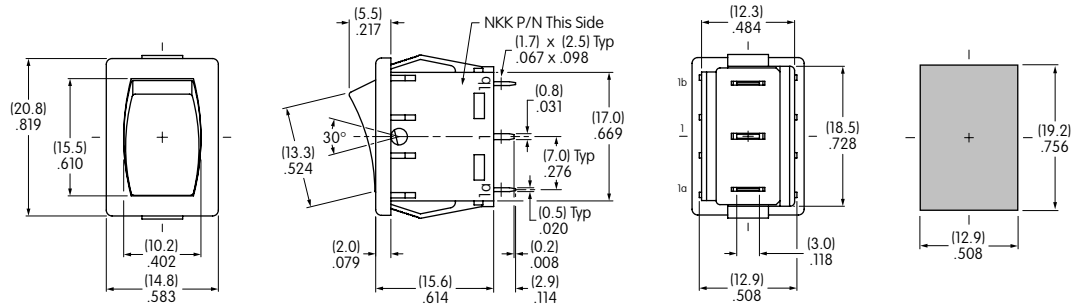


The IEC symbols for On-Off are supplied with Single Throw models only. Orientation of inscription must be selected. Inscription color is white ink on black.

TYPICAL SWITCH DIMENSIONS FOR CWSA

Solder Lug

Single Pole • No Inscription



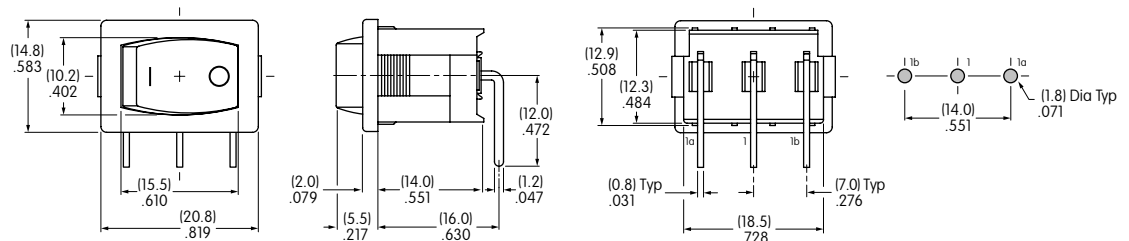
Terminal numbers are on side of switch body

Panel Thickness .030" ~ .079" (0.75mm ~ 2.0mm)

CWSA12AANS

Right Angle

Single Pole • Horizontal On-Off Inscription



Single throw model does not have terminal 1b

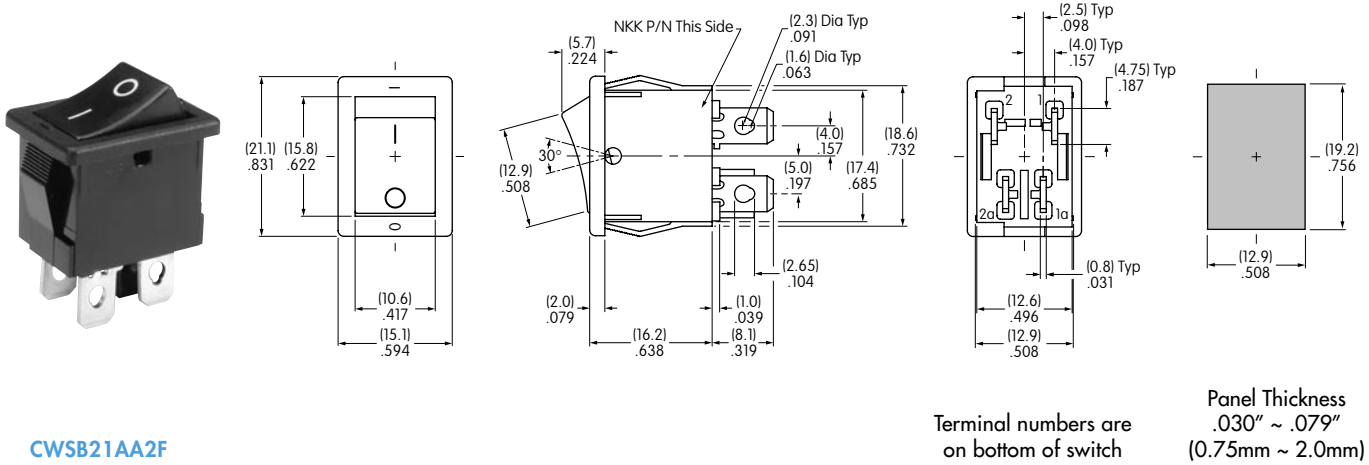
Terminal numbers are on side of switch body

CWSA11AAN1H

TYPICAL SWITCH DIMENSIONS FOR CWSB

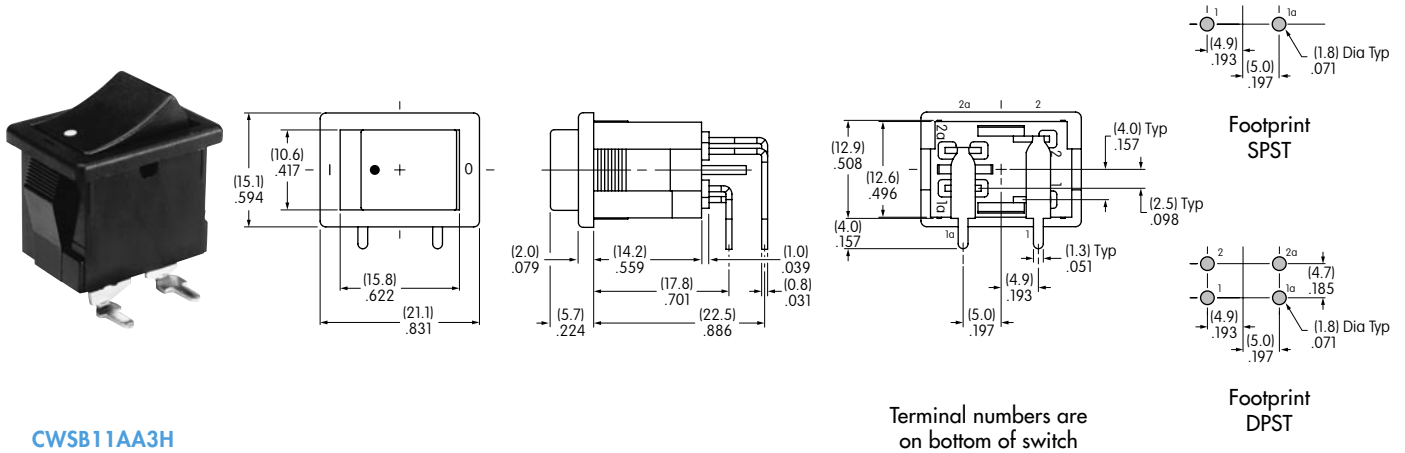
Quick Connect

Double Pole • Vertical On-Off Inscription



Right Angle

Single Pole • Dot Inscription



TYPICAL SWITCH DIMENSIONS FOR CWT

Solder Lug

Single Pole • No Inscription

