

T-1³/₄ (5 mm) Right Angle LED Indicator Options

Technical Data

Option 010
Option 100

Features

- Ideal for Card Edge Status Indication
- Package Design Allows Flush Seating on a PC Board
- May be Side Stacked on 6.35 mm (0.25") Centers
- LEDs Available in Four Colors, With or Without Integrated Current Limiting Resistor in T-1³/₄ Tinted Diffused Packages

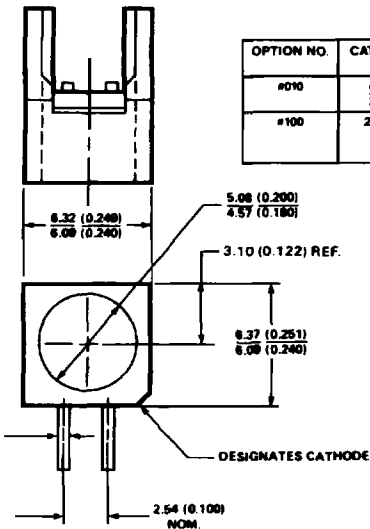
- Housing Meets UL9V-0 Flammability Rating
- Additional Catalog Lamps Available as Options

Description

The T-1³/₄ Option 010 and 100 series of Right Angle Indicators are industry standard status indicators that incorporate a T-1³/₄ LED lamp in a black plastic right angle mount housing. The indicators are available in



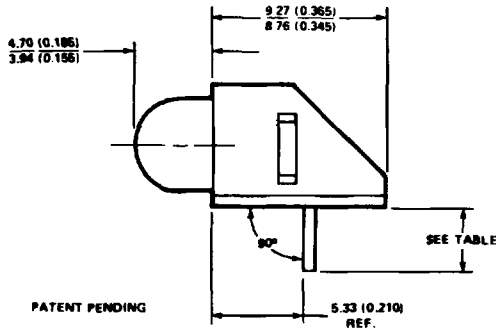
Package Dimensions



OPTION NO.	CATHODE LEAD LENGTH	ANODE LEAD LENGTH	
#010	4.70 (0.185) 3.68 (0.145)	4.70 (0.185) 3.68 (0.145)	SHEARED EVEN LEADS
#100	20.32 (0.800) MIN.	1.27 (0.050) NOM. LONGER THAN CATHODE	UNSHARED UNEVEN LEADS

NOTES

- 1 ALL DIMENSIONS ARE IN MILLIMETRES (INCHES)
- 2 LEAD WIDTH MAY BE 0.45 (0.018) OR 0.64 (0.025) SQUARE NOMINAL DEPENDING UPON PRODUCT TYPE
- 3 OPTION 100 IS AVAILABLE FOR LONGER LEADS



standard Red, High Efficiency Red, Yellow, or High Performance Green with or without an integrated current limiting resistor. These products are designed to be used as back panel diagnostic indicators and card edge logic status indicators.

Ordering Information

To order T-1³/₄ high dome lamps with right angle mount housing, select the base part number and

add the option code 010 or 100. For example: HLMP-3750 option 010.

All Hewlett-Packard T-1³/₄ high-dome lamps are available in right angle housing. Contact your local Hewlett-Packard Sales Office or authorized components distributor for additional ordering information.

The Plastic right angle housing may be purchased separately as part number HLMP-5029.

Absolute Maximum Ratings and Electrical/Optical Characteristics

The absolute maximum ratings and device characteristics are identical to those of the T-1³/₄ LED lamps. For information about these characteristics, see the data sheets of the equivalent T-1³/₄ LED lamp.