

BCM6345 SINGLE-CHIP ADSL CPE MODEM

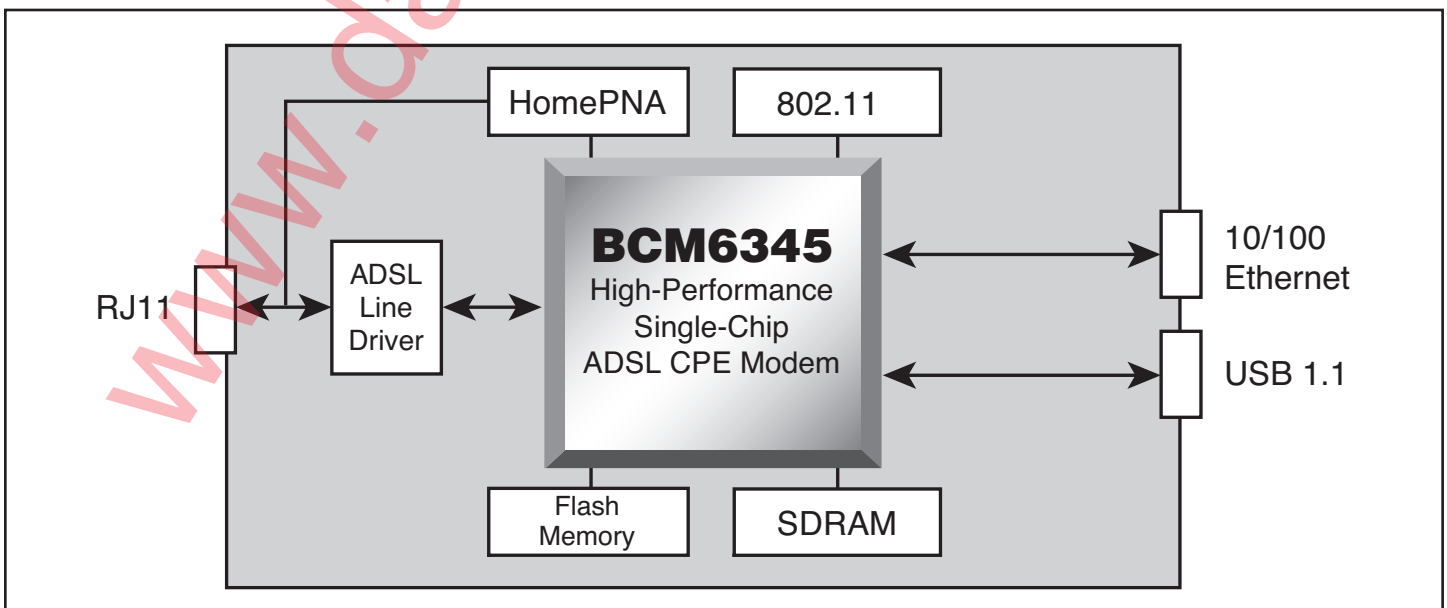
BCM6345 FEATURES

- Highly integrated, single-chip ADSL CPE bridge/router solution with seamless, multi-user, support for Ethernet, USB, 802.11a/b, Bluetooth™, and HomePNA 2.0 home LAN technologies
- Embedded G.992.1/G.992.2/T1.413 compliant ADSL transceiver and AFE with full standards support
- Embedded high-performance MIPS32™ CPU with MMU
- High-performance ATM SAR for enhanced ATM VC management, traffic shaping, and QoS
- 10/100 Mbps IEEE 802.3u Ethernet MAC and PHY with an MII interface
- 12-Mbps USB 1.1 interface with integrated transceiver
- Expansion bus for glueless interface to external peripherals
- PCMCIA host bus interface
- External flash memory with separate SDRAM interface
- Extensive chip power management, EJTAG, GPIO, UART

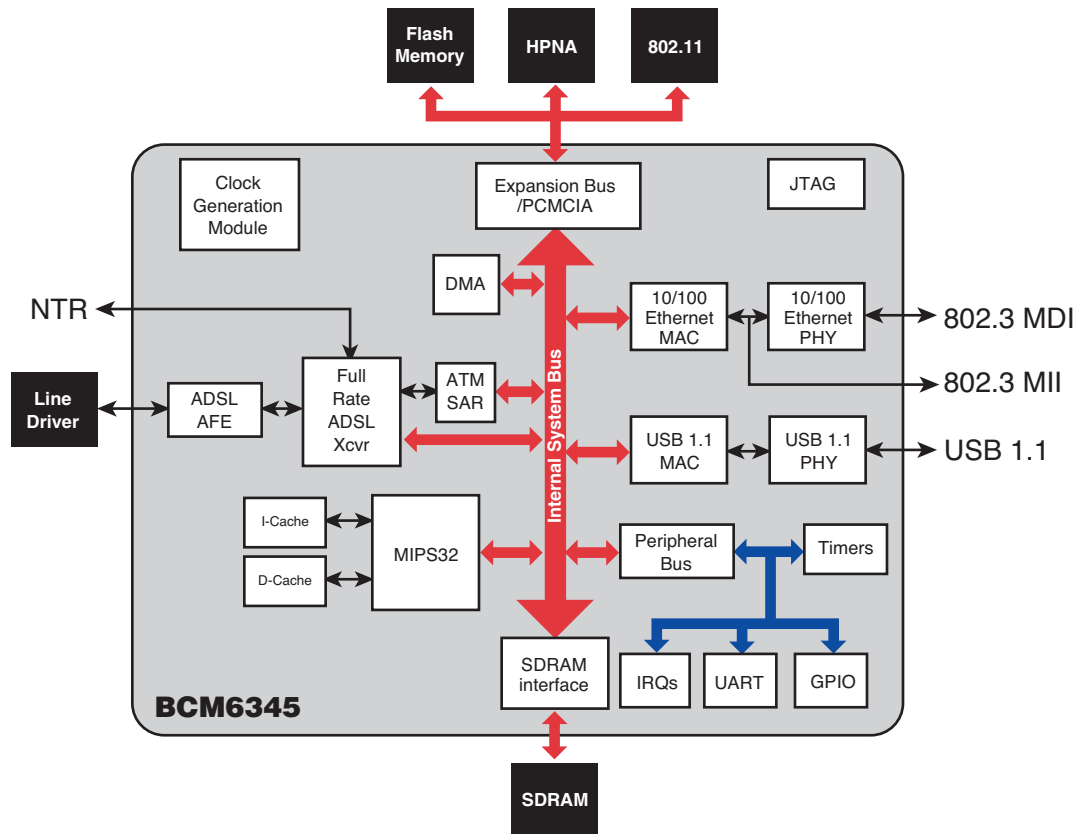
SUMMARY OF BENEFITS

- Unmatched integration greatly reduces the bill of materials to enable the lowest possible product cost for Annex A, B and C ADSL routers.
- High-resolution A/D and D/A converters eliminate complex external filtering.
- High-performance MIPS32 CPU for advanced application development, with industry-standard tool chains and operating systems.
- Support for bridging and routing between ADSL and LAN interfaces on a single chip significantly reduces development time, decreases time-to-market, and increases product flexibility.
 - 10/100 Mbps Ethernet MAC and PHY interface with MII and auto-MDIX support to eliminate external Ethernet components and reduce cabling.
 - Fully USB 1.1 compliant interface enables simple Plug and Play installation.
 - 802.11a/b wireless network support via PCMCIA host interface.
 - Glueless expansion capability to Broadcom's home networking solutions, Ethernet switches, and so forth.
- Provides consistent, proven software architecture across all Broadcom CPE gateway devices.

BCM6345-Based xDSL Integrated Access Device



BCM6345 OVERVIEW



The **BCM6345** combines a G.992.1/G.992.2/T1.413 ADSL transceiver and AFE with a high-performance MIPS32™ CPU, a 10/100 Ethernet interface, a USB 1.1 transceiver, a PCMCIA interface, and a generic and flexible expansion bus into a single chip.

The embedded ADSL transceiver and AFE supports full-rate G.dmt, T1.413, and G.Lite ADSL modems along with G.997.1, G.994.1, I.432 TC layer, dual-latency framing, NTR, and embedded operations channels for remote management of the CPE.

The embedded MIPS32 CPU, with Broadcom-supplied software, controls the ADSL modem, performs high-performance bridging and routing between the ADSL WAN interface and various LAN interfaces, and allows for customer application development with industry-standard EJTAG/Ethernet tool chains and development environments.

A full-featured ATM SAR supports full traffic shaping, management, and QoS for multiple VCs.

Broadcom®, the pulse logo, and **Connecting Everything**® are trademarks of Broadcom Corporation and/or its subsidiaries in the United States and certain other countries. All other trademarks are the property of their respective owners.

The embedded USB 1.1 transceiver and 10/100 Ethernet MAC/PHY (with auto-MDIX) provide connectivity to a PC host. The PCMCIA interface supports wireless networking such as Broadcom's 802.11a/b or Bluetooth™ chipsets, whereas the flexible expansion bus allows for seamless connectivity to Broadcom's 32-Mbps HomePNA 2.0 or other advanced peripherals.

The **BCM6345** enables a complete ADSL CPE router to be assembled with a minimal set of additional components. The result is the most cost-effective solution for a variety of ADSL CPE bridging and routing applications.

For more information contact your local Broadcom sales representative or Phil Radtke at pradtke@broadcom.com

Connecting
everything®



BROADCOM CORPORATION
16215 Alton Parkway, P.O. Box 57013
Irvine, California 92619-7013

© 2003 by BROADCOM CORPORATION. All rights reserved.
6345-PB03-R-06.13.03

Phone: 949-450-8700
FAX: 949-450-8710
Email: info@broadcom.com
Web: www.broadcom.com