



GBP2005 THRU GBP210

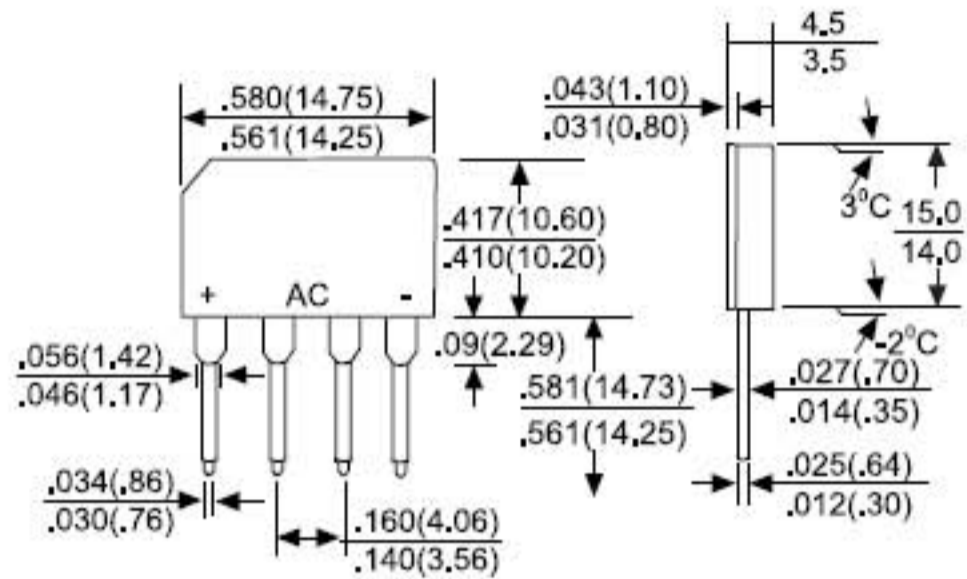
**SINGLE PHASE 2.0AMPS.
GLASS PASSIVATED BRIDGE
RECTIFIERS**

**Voltage Range
50 to 1000 Volts
Current
2.0 Amperes**

Features

- Surge overload rating - 50 amperes peak
- Ideal for printed circuit board
- Plastic material has Underwriters Laboratory Flammability Classification 94V-0
- Mounting Position: Any

GBP



Dimensions in inches and (millimeters)

MAXIMUM RATINGS AND ELECTRICAL CHARACTERISTICS

Rating at 25°C ambient temperature unless otherwise specified.
Single phase, half wave, 60Hz, resistive or inductive load.
For capacitive load, derate current by 20%

| Type Number | | GBP 2005 | GBP 201 | GBP 202 | GBP 204 | GBP 206 | GBP 208 | GBP 210 | UNITS |
|---|--------------------|-------------|---------|---------|---------|---------|---------|---------|-------|
| Maximum Repetitive Peak Reverse Voltage | V _{RRM} | 50 | 100 | 200 | 400 | 600 | 800 | 1000 | V |
| Maximum RMS Voltage | V _{RMS} | 35 | 70 | 140 | 280 | 420 | 560 | 700 | V |
| Maximum DC Blocking Voltage | V _{DC} | 50 | 100 | 200 | 400 | 600 | 800 | 1000 | V |
| Maximum Average Forward Rectified Current @T _A = 50°C | I _{F(AV)} | 2.0 | | | | | | | A |
| Peak Forward Surge Current, 8.3 ms Single Half Sine-wave Superimposed on Rated Load | I _{FSM} | 50.0 | | | | | | | A |
| Maximum Instantaneous Forward Voltage Drop Per Leg @2.0A | V _F | 1.1 | | | | | | | V |
| Maximum Reverse Current at Rated DC Blocking Voltage per Leg T _A =150°C | I _R | 1.0 | | | | | | | mA |
| Operating Temperature Range | T _J | -55 to +150 | | | | | | | °C |
| Storage Temperature Range | T _{STG} | -55 to +150 | | | | | | | °C |

RATING AND CHARACTERISTIC CURVES GBP2005 THRU GBP210



FIG.1 - FORWARD CURRENT DERATING CURVE

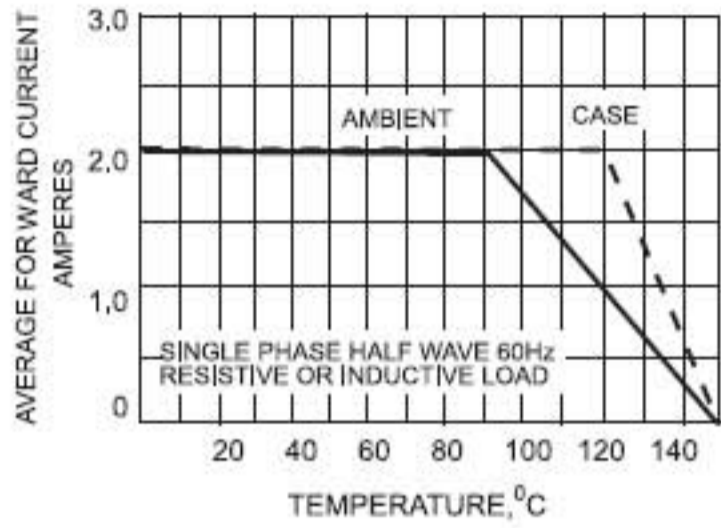


FIG.2-MAXIMUM NON-REPETITIVE

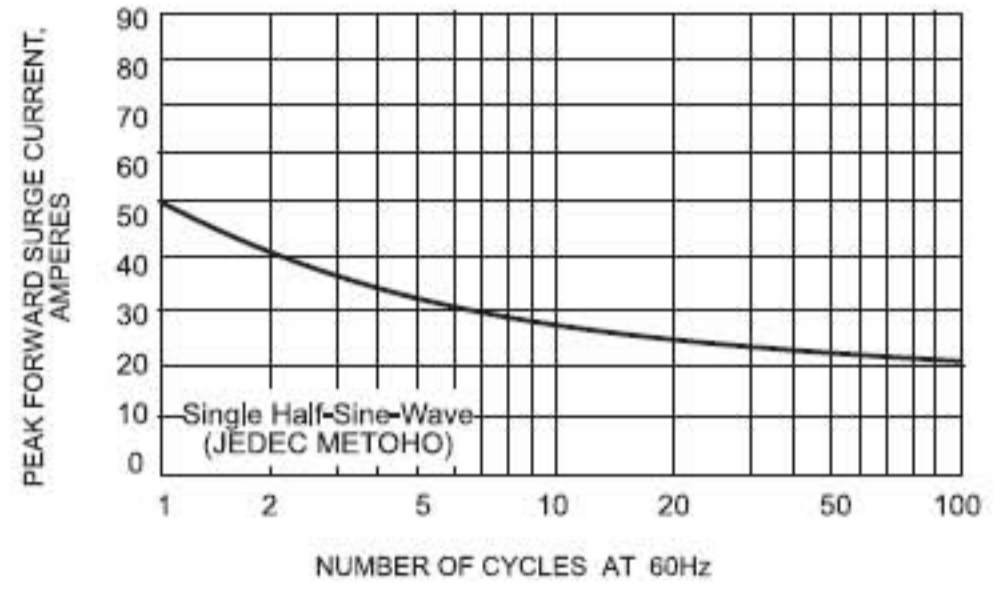


FIG.3 - TYPICAL JUNCTION CAPACITANCE

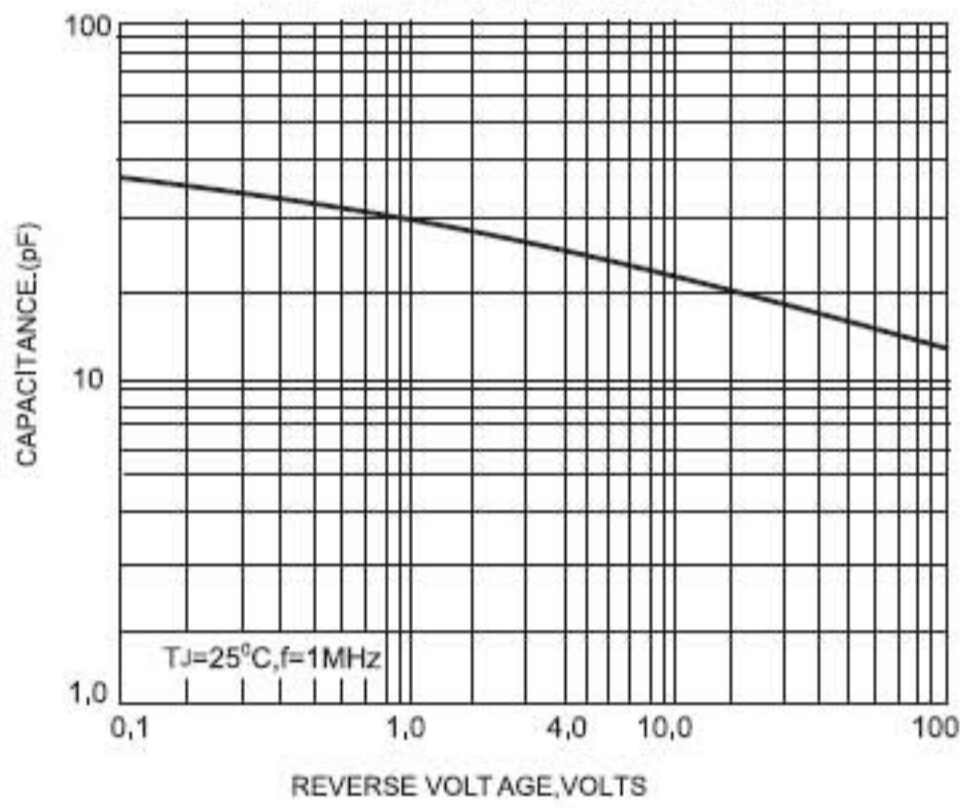


FIG.4 - TYPICAL FORWARD CHARACTERISTICS

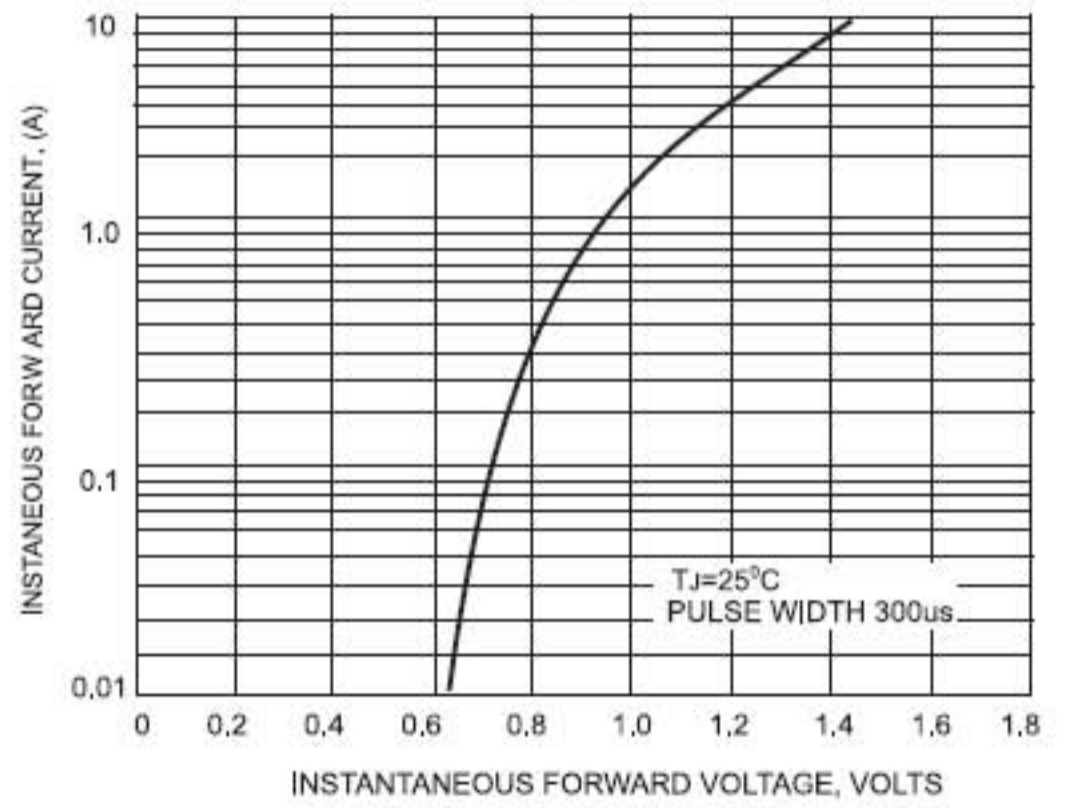


FIG.5-TYPICAL REVERSE CHARACTERISTICS

