

## Features:

- Peel away terminal carrier after soldering.
- Disposable carrier.
- Complete soldering visibility on both sides of PCB.
- Maximum air flow.
- Better flux rinse.
- No contact damage due to terminal carrier insertion.
- No contact pull out due to extraction of terminal carrier.

## Specifications:

### Terminals:

Brass - Copper Alloy  
(C36000) ASTM-B-16

### Contacts:

Beryllium Copper - Copper Alloy  
(C17200) ASTM-B-194

### Solder Preform:

Standard: 63Sn/37Pb  
Lead-free: 95.5Sn/4.0Ag/0.5Cu

### Plating:

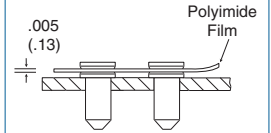
G - Gold over Nickel  
M - Matte Tin over Nickel  
T - Tin/Lead over Nickel

Gold per ASTM-B-488  
Matte Tin per ASTM545-97  
Tin/Lead per MIL-P-81728  
Nickel per QQ-N-290

## Table of Models

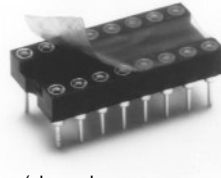


Description: Peel-A-Way® Socket (KS)  
Material: Polyimide Film  
Index: -269°C to 400°C (-452°F to 752°F)



For molded insulators, see pages 28-29.

## Options



(shown here on molded socket)

### Tape Seal - add 3M to end of part number

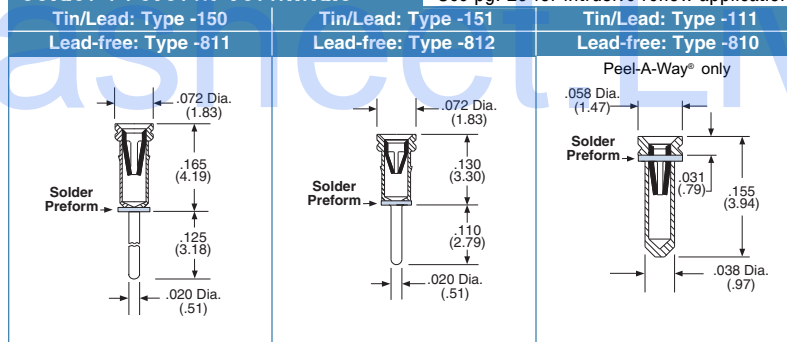
- Removable tape seal protects plated contact in harsh environments
- Sealed socket will not allow dirt and other contaminants to enter socket chamber and become entrapped behind contact fingers
- Spray flux without contaminating contact area

### Material

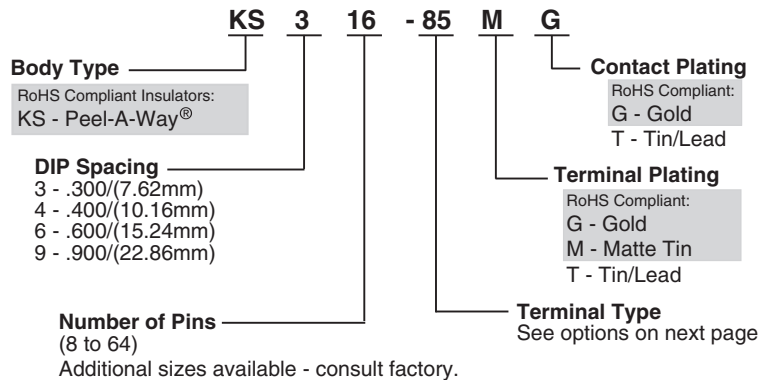
Silicone Backed Polyimide Film, -74°C to 260°C (-100°F to 500°F)  
Intermittent to 371°C (700°F)

## Solder Preform Terminals

See pg. 29 for intrusive reflow application.



## How To Order



Note: Terminals plated with Matte Tin are available only with Gold plated contacts.



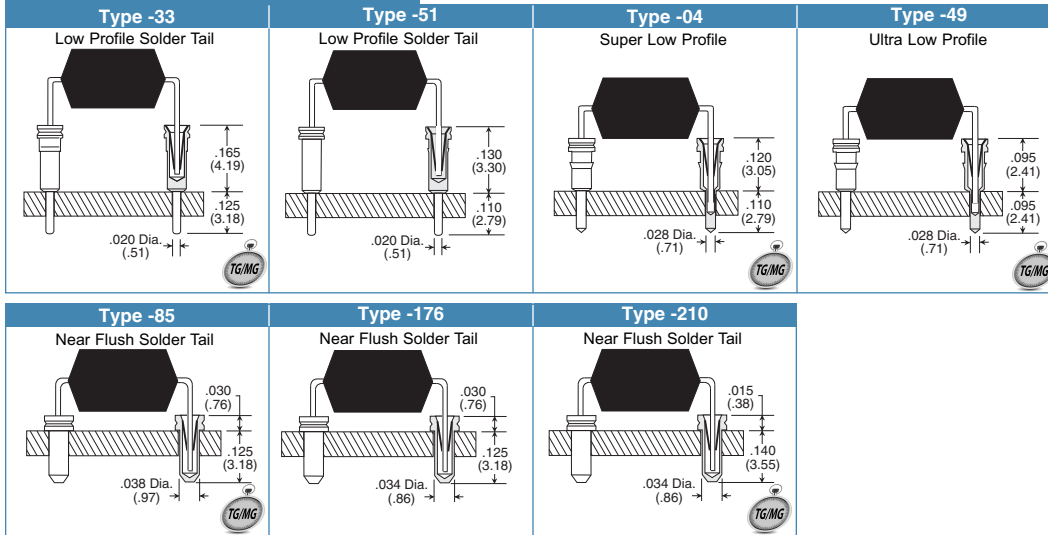
5 Energy Way, West Warwick, RI 02893 USA  
Tel: 800.424.9850 | 401.823.5200  
Fax: 401.823.8723  
info@advanced.com | www.advanced.com  
Catalog 16A

Products shown covered by patents issued and/or pending. Specifications subject to change without notice.

inch/(mm)

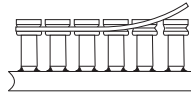
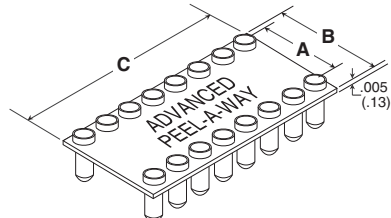
Additional standard and custom terminals available.  
See Terminals section or consult factory.

## Standard Terminals



Note: Terminals shown with insulator removed.

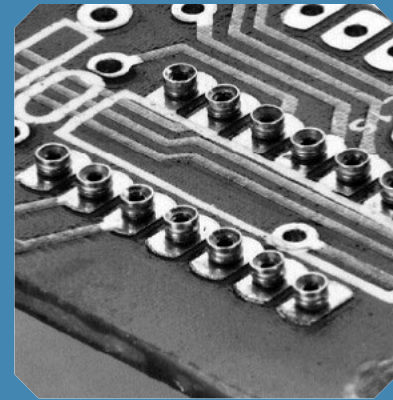
## Dimensional Information



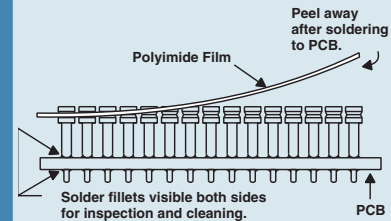
Surface Mount Options Available

# of Pins	A	B	C
8	.300 (7.62)	.400 (10.16)	.400 (10.16)
10	.300 (7.62)	.400 (10.16)	.500 (12.70)
12	.300 (7.62)	.400 (10.16)	.600 (15.24)
14	.300 (7.62)	.400 (10.16)	.700 (17.78)
16	.300 (7.62)	.400 (10.16)	.800 (20.32)
18	.300 (7.62)	.400 (10.16)	.900 (22.86)
20	.300 (7.62)	.400 (10.16)	1.000 (25.40)
22	.300 (7.62)	.400 (10.16)	1.100 (27.94)
24	.300 (7.62)	.400 (10.16)	1.200 (30.48)
28	.300 (7.62)	.400 (10.16)	1.400 (35.56)
40	.300 (7.62)	.400 (10.16)	2.000 (50.80)
16	.400 (10.16)	.500 (12.70)	.800 (20.32)
20	.400 (10.16)	.500 (12.70)	1.000 (25.40)
22	.400 (10.16)	.500 (12.70)	1.100 (27.94)
24	.400 (10.16)	.500 (12.70)	1.200 (30.48)
28	.400 (10.16)	.500 (12.70)	1.400 (35.56)
32	.400 (10.16)	.500 (12.70)	1.600 (40.64)

# of Pins	A	B	C
10	.600 (15.24)	.700 (17.76)	.500 (12.70)
18	.600 (15.24)	.700 (17.76)	.900 (22.86)
20	.600 (15.24)	.700 (17.76)	1.000 (25.40)
22	.600 (15.24)	.700 (17.76)	1.100 (27.94)
24	.600 (15.24)	.700 (17.76)	1.200 (30.48)
28	.600 (15.24)	.700 (17.76)	1.400 (35.56)
32	.600 (15.24)	.700 (17.76)	1.600 (40.64)
36	.600 (15.24)	.700 (17.76)	1.800 (45.72)
40	.600 (15.24)	.700 (17.76)	2.000 (50.80)
42	.600 (15.24)	.700 (17.76)	2.100 (53.34)
48	.600 (15.24)	.700 (17.76)	2.400 (60.96)
64	.600 (15.24)	.700 (17.76)	3.200 (81.28)
32	.900 (22.86)	1.000 (25.40)	1.600 (40.64)
36	.900 (22.86)	1.000 (25.40)	1.800 (45.72)
40	.900 (22.86)	1.000 (25.40)	2.000 (50.80)
52	.900 (22.86)	1.000 (25.40)	2.600 (66.04)
56	.900 (22.86)	1.000 (25.40)	2.800 (71.12)
64	.900 (22.86)	1.000 (25.40)	3.200 (81.28)



## How To Use:



1. Place socket on PC board.
2. Send PC board and socket through soldering operation.
3. Peel away polyimide film carrier for complete solder joint visibility or leave in place for added stability.

## Available Online:

- RoHS Qualification Test Report
- CAD Drawings

## EXPRESS Delivery

Terminals shown with the new EXPRESS symbol are available in most insulator body types with fast lead time. Some quantity and plating restrictions apply. Search our Distributor inventory online at [www.advanced.com](http://www.advanced.com), or check with customer service for availability.



5 Energy Way, West Warwick, RI 02893 USA  
Tel: 800.424.9850 | 401.823.5200  
Fax: 401.823.8723  
info@advanced.com | www.advanced.com  
Catalog 16A