

Distinctive Characteristics

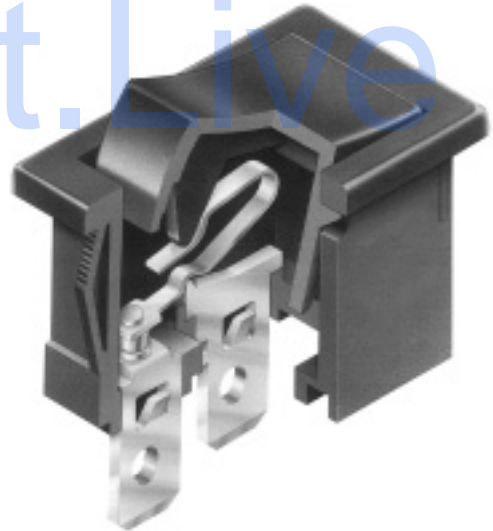
CWSA

- Low cost molded rocker.
- See-saw contact mechanism.
- Stable stationary contact construction for high reliability.
- Easily installed with snap-in mounting.
- Large terminal hole dimensioned 1.7mm x 2.5mm simplifies wiring and soldering.



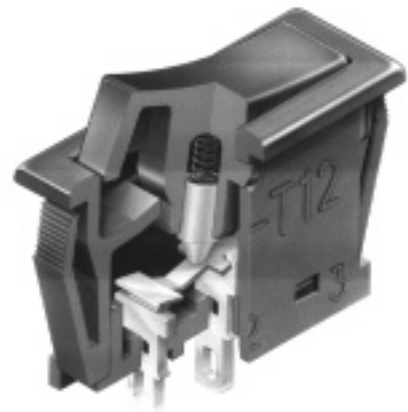
CWSB

- Low cost molded rocker.
- Snap-acting contact mechanism gives smooth actuation and audible feedback.
- Stable stationary contact construction for high reliability.
- Front panel, snap-in mounting for labor-saving installation.
- Solder lug/quick connect terminals can be used with connectors.



CWT

- Low cost molded rocker in compact, slim design.
- See-saw contact mechanism.
- Outstanding insulation resistance and dielectric strength.
- Dust proof construction protects contact area.
- Stable stationary contact construction for high reliability.
- Front panel, snap-in mounting for labor-saving installation.
- Terminals are molded in and epoxy sealed to lock out flux, dust, and other contaminants.



General Specifications

CWSA Electrical Capacity

Power Level: For Resistive Load 6A @ 250V AC; for Inductive Load P.F. 0.75

Other Ratings

Contact Resistance: 20 milliohms maximum
Insulation Resistance: 500 megohms minimum @ 500V DC
Dielectric Strength: 1,500V AC minimum between contacts for 1 minute minimum;
 3,000V AC minimum between contacts & case for 1 minute minimum
Mechanical Life: 30,000 operations minimum
Electrical Life: 10,000 operations minimum with Resistive Load & 6,000 operations with Inductive Load
Nominal Operating Force: 255 grams
Angle of Throw: 30°

Materials & Finishes

Rocker:	Polycarbonate	Stationary Contacts:	Silver alloy
Housing:	Polyamide	Base:	Laminated thermosetting sheets
Movable Contactor:	Brass w/silver alloy plating	Contact Terminals:	Copper with silver plating
Movable Contacts:	Silver	Common Terminal:	Brass with silver plating

CWSB Electrical Capacity

Power Level: For Resistive Load 6A @ 250V AC; for Inductive Load P.F. 0.75

Other Ratings

Contact Resistance: 20 milliohms maximum
Insulation Resistance: 500 megohms minimum @ 500V DC
Dielectric Strength: 1,500V AC minimum between contacts for 1 minute minimum;
 3,000V AC minimum between contacts & case for 1 minute minimum
Mechanical Life: 30,000 operations minimum
Electrical Life: 10,000 operations minimum with Resistive Load & 6,000 operations with Inductive Load
Nominal Operating Force: 663 grams for single pole models; 1,020 grams for double pole models
Angle of Throw: 30°

Materials & Finishes

Rocker:	Polycarbonate	Stationary Contacts:	Silver alloy
Housing:	Polyamide	Base:	Laminated thermosetting sheets
Movable Contactor:	Beryllium copper w/silver alloy plating	Terminals:	Brass with silver plating
Movable Contacts:	Silver		

CWT Electrical Capacity

Power Level: For Resistive Load 6A @ 125V AC; 3A @ 250V AC; 4A @ 30V DC

Other Ratings

Contact Resistance: 10 milliohms maximum
Insulation Resistance: 1 gigohm minimum @ 500V DC
Dielectric Strength: 1,000V AC minimum between contacts for 1 minute minimum;
 1,500V AC minimum between contacts & case for 1 minute minimum
Mechanical Life: 50,000 operations minimum
Electrical Life: 25,000 operations minimum
Nominal Operating Force: 204 grams
Angle of Throw: 30°

Materials & Finishes

Rocker:	Glass fiber reinforced polyamide	Base:	LCP (Liquid Crystal Polymer)
Housing:	Polyamide	Contact Terminals:	Brass + silver with silver plating
Movable Contactor:	Phosphor bronze with silver plating	Common Terminal:	Brass with silver plating
Movable Contacts:	Silver alloy		

STANDARDS & CERTIFICATIONS

CWSA



Specific CWSA models listed below are qualified for Underwriters Laboratories Inc. recognition and Canadian Standards Association certification. Markings on case are standard as noted in following table.



<u>Model</u>	<u>Ratings @ AC</u>	<u>UL File No.</u>	<u>CSA File No.</u>	<u>Markings on Case</u>
CWSA11	6A @ 250V	WOYR2.E44145	081268-0-000	Standard
CWSA12	6A @ 250V	WOYR2.E44145	081268-0-000	Standard

CWSB



Specific CWSB models listed below are qualified for Underwriters Laboratories Inc. recognition and Canadian Standards Association certification. Markings on case are standard as noted in following table.



<u>Model</u>	<u>Ratings @ AC</u>	<u>UL File No.</u>	<u>CSA File No.</u>	<u>Markings on Case</u>
CWSB11	6A @ 250V	WOYR2.E44145	081268-0-000	Standard
CWSB21	6A @ 250V	WOYR2.E44145	081268-0-000	Standard

CWT



Specific CWT models listed below are qualified for Underwriters Laboratories Inc. recognition and Canadian Standards Association certification. Markings on case are standard as noted in following table.

<u>Model</u>	<u>Ratings @ AC</u>	<u>C-UL File No.</u>	<u>Markings on Case</u>
CWT12	6A @125V; 3A @ 250V	WOYR8.E44145	Standard

TYPICAL SWITCH ORDERING EXAMPLES

CWSA 1 1 A A N [] S

POLE	
1	SPST & SPDT

CIRCUITS			
1	ON	NONE	OFF
2	ON	NONE	ON

CAP COLOR	
A	Black

ILLUMINATION	
For All Models	
N	None


Note: See illuminated section for illuminated models.

INSCRIPTION	
For All Models	
No Code	None
For On-None-Off	
1	Horizontal
2	Vertical
3	Dot Marking

TERMINALS	
S	Solder Lug
H	Right Angle PC

HOUSING
A | Black

TYPICAL ORDERING EXAMPLE
CWSA11AANS



CWSB 2 1 A A 2 F

POLES	
1	SPST
2	DPST

CIRCUIT			
1	ON	NONE	OFF


CAP COLOR	
A	Black

HOUSING	
A	Black

INSCRIPTION	
No Code	None (SPST only)
1	Horizontal
2	Vertical
3	Dot Marking (SPST only)

TERMINALS	
F	Quick Connect
H	Right Angle PC

TYPICAL ORDERING EXAMPLE
CWSB21AA2F



CWT 1 2 A A S1

POLE	
1	SPDT


CIRCUIT			
2	ON	NONE	ON

CAP COLOR	
A	Black

HOUSING	
A	Black

TERMINALS	
S1	Solder Lug

TYPICAL ORDERING EXAMPLE
CWT12AAS1



INSCRIPTIONS

No Code

None

Not available in double pole.



1

Horizontal Orientation

Only On-None-Off models are available with the horizontal inscription.



2

Vertical Orientation

Only On-None-Off models are available with the vertical inscription.



3

Dot Marking

Only Single Pole On-None-Off models are available with the dot inscription.

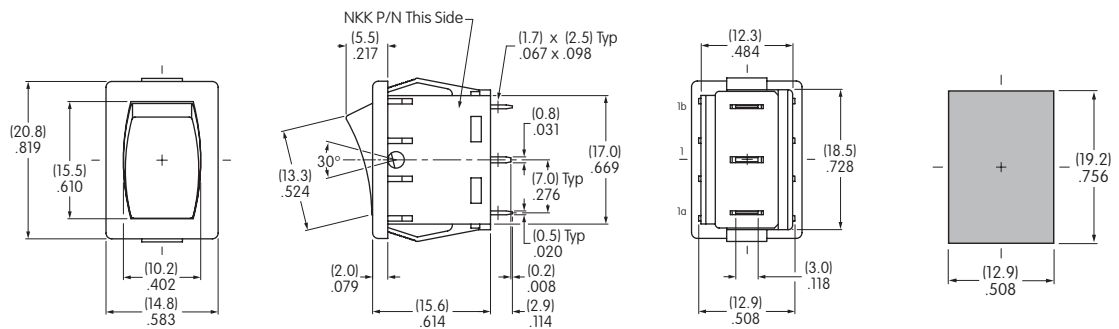


The IEC symbols for On-Off are supplied with Single Throw models only. Orientation of inscription must be selected. Inscription color is white ink on black.

TYPICAL SWITCH DIMENSIONS FOR CWSA

Solder Lug

Single Pole • No Inscription



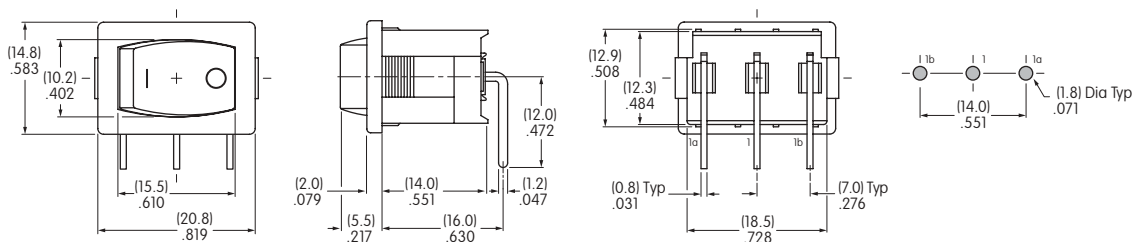
Single throw model does not have terminal 1B.
The .067" x .098" terminal hole accommodates
1 solid 12-gauge wire or 2 stranded 20-gauge wires.

Panel Thickness:
0.75mm ~ 2.0mm
(.030" ~ .079")

CWSA12AANS

Right Angle

Single Pole • Horizontal On-Off Inscription



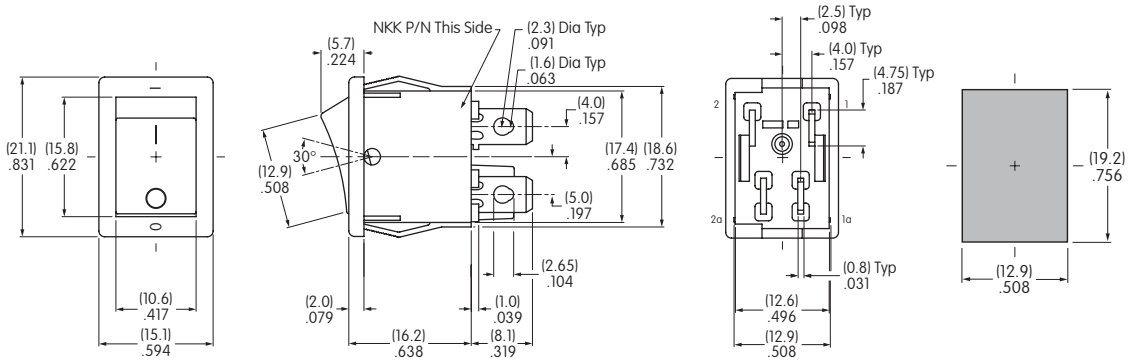
Single throw model does not have terminal 1B.

CWSA11AAN1H

TYPICAL SWITCH DIMENSIONS FOR CWSB

Quick Connect

Double Pole • Vertical On-Off Inscription



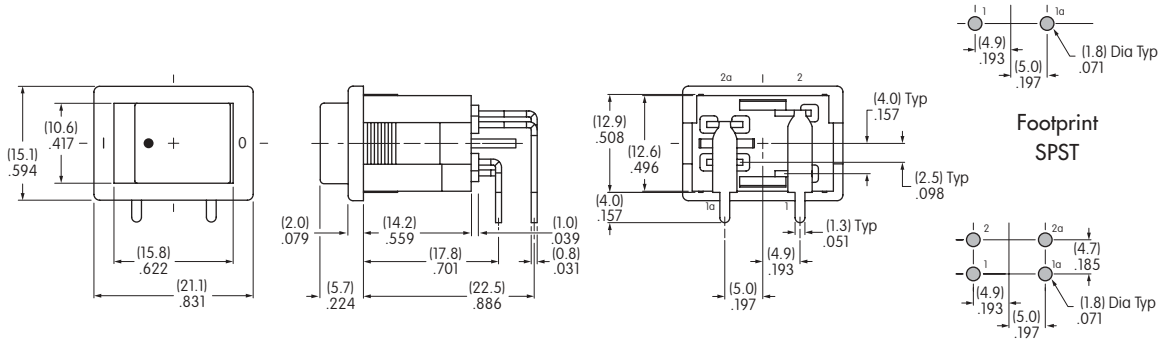
Pear shaped .091" dia. terminal hole accommodates 1 solid 12-gauge wire or 2 stranded 20-gauge wires.

Panel Thickness
0.75mm ~ 2.0mm
(.030" ~ .079")

CWSB21AA2F

Right Angle

Single Pole • Dot Inscription



Footprint
SPST

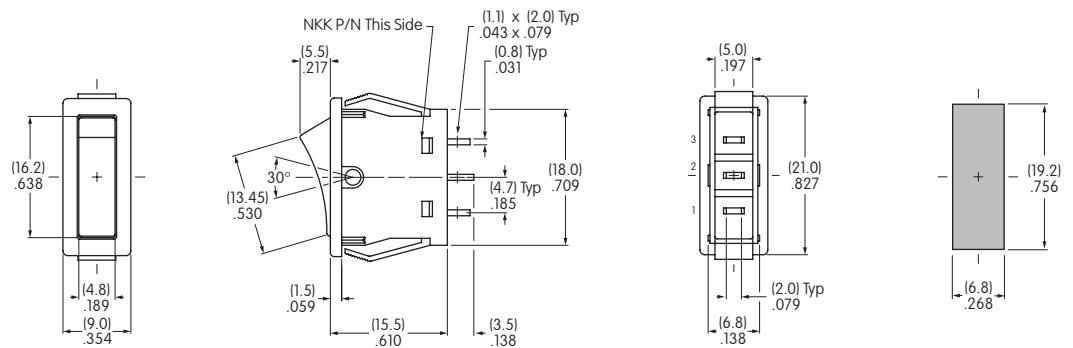
Footprint
DPST

CWSB11AA3H

TYPICAL SWITCH DIMENSIONS FOR CWT

Solder Lug

Single Pole • No Inscription



The .043" x .079" terminal hole accommodates 1 solid 18-gauge wire or 2 solid or stranded 20-gauge wires.

Panel Thickness
0.75mm ~ 2.0mm
(.030" ~ .079")

CWT12AA51