

2 μ A Max, $A_V \geq 5$ Single, Dual and Quad Over-The-Top Precision Rail-to-Rail Input and Output Op Amps

FEATURES

- Gain of 5 Stable
- Low Supply Current: 2 μ A Max per Amplifier
- Rail-to-Rail Input and Output
- Low Offset Voltage: 375 μ V Max
- Over-The-Top™ Inputs Operate Above V^+
- Gain Bandwidth Product: 12kHz
- Wide Supply Range: 2.2V to 36V
- Single Supply Input Range: -0.3V to 36V
- Low Input Bias Current: 250pA
- Low Input Offset Current: 20pA
- High A_{VOL} : 100V/mV Minimum Driving 100k Ω Load
- Output Sources and Sinks 500 μ A Load Current
- Reverse Battery Protected to 18V

APPLICATIONS

- Battery- or Solar-Powered Systems
- Portable Instrumentation
- Remote Sensor Amplifier
- Micropower Filter
- Photodiode Amplifier
- High Impedance Circuits

DESCRIPTION

The LT®1672/LT1673/LT1674 are ultralow power ($I_S \leq 2\mu\text{A}$) decompensated ($A_V \geq 5$) op amps with precision specifications. The extremely low supply current is combined with excellent amplifier specifications: input offset voltage is 375 μV maximum with a typical drift of only 0.4 $\mu\text{V}/^\circ\text{C}$, input offset current is 100pA maximum. A minimum open-loop gain (A_{VOL}) of 100V/mV ensures that gain errors are small. The devices' characteristics change little over the supply range of 2.2V to $\pm 15\text{V}$. Supply rejection is 90dB and the common mode rejection ratio is 90dB. Operation is specified for 3V, 5V and $\pm 15\text{V}$ supplies. Reverse battery protection (-18V min) and inputs that operate above the positive supply make the LT1672/LT1673/LT1674 easy to use in harsh environments.

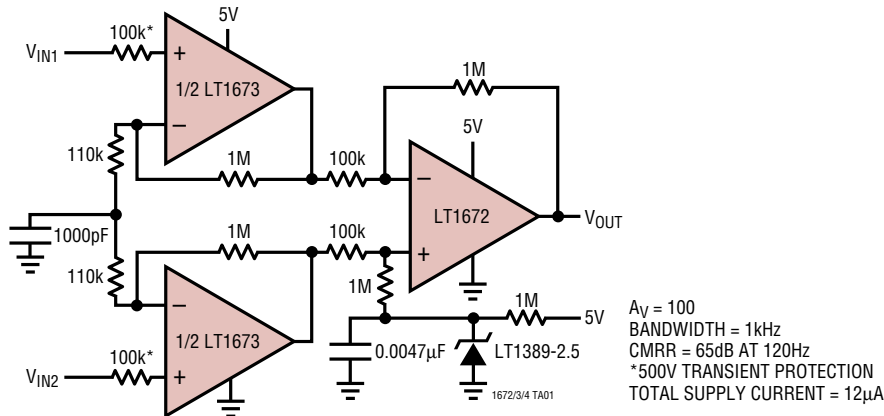
The low bias currents and offset current of the amplifier permit the use of megohm level source resistors without introducing significant errors. Voltage noise at 4 $\mu\text{V}_{\text{P-P}}$ is remarkably low considering the low supply current. For unity gain stable versions of these amplifiers, see the LT1494/LT1495/LT1496.

The LT1672 is available in the 8-pin MSOP, PDIP and SO packages. The LT1673 is available in plastic 8-pin PDIP and SO-8 packages with the standard dual op amp pinout. The LT1674 is available in 14-pin PDIP and SO packages.

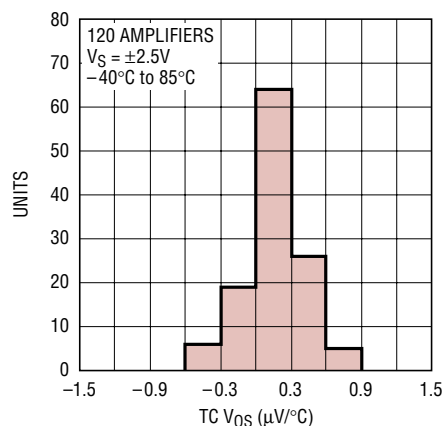
LT, LTC and LT are registered trademarks of Linear Technology Corporation. Over-The-Top is a trademark of Linear Technology Corporation.

TYPICAL APPLICATION

Single Supply, 60 μW Precision Instrumentation Amplifier



TC V_{OS} Distribution



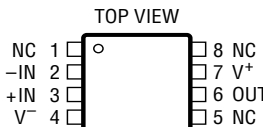
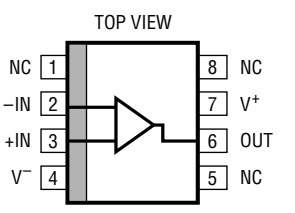
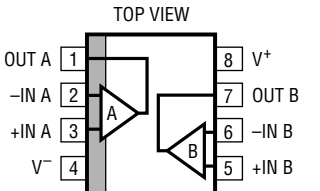
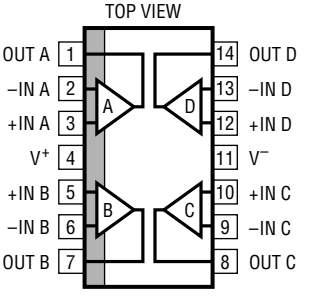
1672/3/4 TA02

LT1672/LT1673/LT1674

ABSOLUTE MAXIMUM RATINGS (Note 1)

| | | | |
|---|---|--|--|
| Total Supply Voltage (V^+ to V^-) | 36V | Specified Temperature Range (Note 3) ... | -40°C to 85°C |
| Differential Input Voltage | 36V | Storage Temperature Range | -65°C to 150°C |
| Input Current | $\pm 10\text{mA}$ | Junction Temperature | 150°C |
| Output Short-Circuit Duration | Continuous | Lead Temperature (Soldering, 10 sec) | 300°C |
| Operating Temperature Range (Note 2) .. | -40°C to 85°C | | |

PACKAGE/ORDER INFORMATION

| | | | |
|--|--|---|--|
|  <p>MS8 PACKAGE 8-LEAD PLASTIC MSOP $T_{JMAX} = 150^{\circ}\text{C}$, $\theta_{JA} = 250^{\circ}\text{C}/\text{W}$</p> | ORDER PART NUMBER |  <p>N8 PACKAGE 8-LEAD PDIP S8 PACKAGE 8-LEAD PLASTIC SO $T_{JMAX} = 150^{\circ}\text{C}$, $\theta_{JA} = 130^{\circ}\text{C}/\text{W}$ (N8) $T_{JMAX} = 150^{\circ}\text{C}$, $\theta_{JA} = 190^{\circ}\text{C}/\text{W}$ (S8)</p> | ORDER PART NUMBER |
| | LT1672CMS8 LT1672IMS8 | | LT1672CN8 LT1672CS8 LT1672IN8 LT1672IS8 |
| | MS8 PART MARKING | | S8 PART MARKING |
| | LTFH LTFJ | | 1672 1672I |
|  <p>N8 PACKAGE 8-LEAD PDIP S8 PACKAGE 8-LEAD PLASTIC SO $T_{JMAX} = 150^{\circ}\text{C}$, $\theta_{JA} = 150^{\circ}\text{C}/\text{W}$ (N8) $T_{JMAX} = 150^{\circ}\text{C}$, $\theta_{JA} = 190^{\circ}\text{C}/\text{W}$ (S8)</p> | ORDER PART NUMBER |  <p>N PACKAGE 14-LEAD PDIP S PACKAGE 14-LEAD PLASTIC SO $T_{JMAX} = 150^{\circ}\text{C}$, $\theta_{JA} = 110^{\circ}\text{C}/\text{W}$ (N) $T_{JMAX} = 150^{\circ}\text{C}$, $\theta_{JA} = 150^{\circ}\text{C}/\text{W}$ (S)</p> | ORDER PART NUMBER |
| | LT1673CN8 LT1673CS8 LT1673IN8 LT1673IS8 | | LT1674CN LT1674CS LT1674IN LT1674IS |
| | S8 PART MARKING | | |
| | 1673 1673I | | |

Consult factory for parts specified with wider operating temperature ranges.

ELECTRICAL CHARACTERISTICS

$T_A = 25^{\circ}\text{C}$, $V_S = 5\text{V}$, 0V ; $V_S = 3\text{V}$, 0V ; $V_{CM} = V_O = \text{half supply}$, unless otherwise noted.

| SYMBOL | PARAMETER | CONDITIONS | MIN | TYP | MAX | UNITS |
|----------|----------------------|---------------------------------|---------------|-----|------|----------------------------|
| V_{OS} | Input Offset Voltage | $V_S = 5\text{V}$ | | 150 | 375 | μV |
| | | $V_S = 3\text{V}$ | | 200 | 475 | μV |
| | | $V_S = 5\text{V}$, MS8 Package | | 150 | 475 | μV |
| | | $V_S = 3\text{V}$, MS8 Package | | 200 | 575 | μV |
| I_B | Input Bias Current | (Note 5) | | 250 | 1000 | pA |
| | | $V_{CM} = 10\text{V}$ (Note 6) | | 180 | 360 | nA |
| I_{OS} | Input Offset Current | (Note 5) | | 20 | 100 | pA |
| | | Input Noise Voltage | 0.1Hz to 10Hz | | 4 | $\mu\text{V}_{\text{R-P}}$ |

ELECTRICAL CHARACTERISTICS

$T_A = 25^\circ\text{C}$, $V_S = 5\text{V}$, 0V ; $V_S = 3\text{V}$, 0V ; $V_{CM} = V_O = \text{half supply}$, unless otherwise noted.

| SYMBOL | PARAMETER | CONDITIONS | MIN | TYP | MAX | UNITS |
|-----------|----------------------------------|---|--------------|---------------|-----|------------------------------|
| e_n | Input Noise Voltage Density | $f = 100\text{Hz}$ | | 185 | | $\text{nV}/\sqrt{\text{Hz}}$ |
| i_n | Input Noise Current Density | $f = 100\text{Hz}$ | | 10 | | $\text{fA}/\sqrt{\text{Hz}}$ |
| A_{VOL} | Large-Signal Voltage Gain | $V_S = 5\text{V}$, $V_O = 0.25\text{V}$ to 4.5V , $R_L = 100\text{k}$ | 100 | 500 | | V/mV |
| | | $V_S = 3\text{V}$, $V_O = 0.25\text{V}$ to 2.5V , $R_L = 100\text{k}$ | 50 | 250 | | V/mV |
| | Input Voltage Range | | 0 | | 36 | V |
| CMRR | Common Mode Rejection Ratio | $V_{CM} = 0\text{V}$ to 4V , $V_S = 5\text{V}$ | 90 | 106 | | dB |
| | | $V_{CM} = 0\text{V}$ to 10V , $V_S = 5\text{V}$ | 74 | 95 | | dB |
| PSRR | Power Supply Rejection Ratio | $V_S = 2.2\text{V}$ to 12V , $V_{CM} = V_O = 0.5\text{V}$ | 90 | 99 | | dB |
| | Minimum Operating Supply Voltage | | | 2.1 | 2.2 | V |
| V_{OL} | Output Voltage Swing LOW | No Load | | 50 | 100 | mV |
| | | $I_{SINK} = 100\mu\text{A}$ | | 210 | 410 | mV |
| V_{OH} | Output Voltage Swing HIGH | No Load | $V^+ - 0.07$ | $V^+ - 0.035$ | | V |
| | | $I_{SOURCE} = 100\mu\text{A}$ | $V^+ - 0.32$ | $V^+ - 0.160$ | | V |
| I_{SC} | Short-Circuit Current | (Note 5) | 0.7 | 1.3 | | mA |
| I_S | Supply Current per Amplifier | (Note 6) | | 1.5 | 2 | μA |
| | Reverse Supply Voltage | $I_S = 10\mu\text{A}$ per Amplifier | -18 | | | V |
| SR | Slew Rate | $A_V = -5$, $V_S = \pm 10\text{V}$ | 1.6 | 5 | | V/ms |
| GBW | Gain Bandwidth Product | $f = 100\text{Hz}$ | | 12 | | kHz |

The ● denotes the specifications which apply over the temperature range of $0^\circ\text{C} \leq T_A \leq 70^\circ\text{C}$. $V_S = 5\text{V}$, 0V ; $V_S = 3\text{V}$, 0V ; $V_{CM} = V_O = \text{half supply}$, unless otherwise noted. (Note 3)

| SYMBOL | PARAMETER | CONDITIONS | MIN | TYP | MAX | UNITS |
|--------------|----------------------------------|---|-----|--------------|--------------|------------------------------|
| V_{OS} | Input Offset Voltage | $V_S = 5\text{V}$ | ● | 175 | 425 | μV |
| | | $V_S = 3\text{V}$ | ● | 225 | 525 | μV |
| | | $V_S = 5\text{V}$, MS8 Package | ● | 175 | 525 | μV |
| | | $V_S = 3\text{V}$, MS8 Package | ● | 225 | 625 | μV |
| $V_{OS\ TC}$ | Input Offset Voltage Drift | (Note 4) | ● | 0.4 | 2 | $\mu\text{V}/^\circ\text{C}$ |
| I_B | Input Bias Current | (Note 5) | ● | 250 | 1200 | pA |
| | | $V_{CM} = 10\text{V}$ (Note 6) | ● | 240 | 500 | nA |
| I_{OS} | Input Offset Current | (Note 5) | ● | 20 | 120 | pA |
| A_{VOL} | Large-Signal Voltage Gain | $V_S = 5\text{V}$, $V_O = 0.25\text{V}$ to 4.5V , $R_L = 100\text{k}$ | ● | 75 | 280 | V/mV |
| | | $V_S = 3\text{V}$, $V_O = 0.25\text{V}$ to 2.5V , $R_L = 100\text{k}$ | ● | 40 | 150 | V/mV |
| | Input Voltage Range | | ● | 0.2 | 36 | V |
| CMRR | Common Mode Rejection Ratio | $V_{CM} = 0.2\text{V}$ to 4V , $V_S = 5\text{V}$ | ● | 89 | 106 | dB |
| | | $V_{CM} = 0.2\text{V}$ to 10V , $V_S = 5\text{V}$ | ● | 64 | 85 | dB |
| PSRR | Power Supply Rejection Ratio | $V_S = 2.4\text{V}$ to 12V , $V_{CM} = V_O = 0.5\text{V}$ | ● | 89 | 99 | dB |
| | Minimum Operating Supply Voltage | | ● | 2.3 | 2.4 | V |
| V_{OL} | Output Voltage Swing LOW | No Load | ● | 55 | 110 | mV |
| | | $I_{SINK} = 100\mu\text{A}$ | ● | 225 | 450 | mV |
| V_{OH} | Output Voltage Swing HIGH | No Load | ● | $V^+ - 0.08$ | $V^+ - 0.04$ | V |
| | | $I_{SOURCE} = 100\mu\text{A}$ | ● | $V^+ - 0.36$ | $V^+ - 0.18$ | V |
| I_{SC} | Short-Circuit Current | (Note 5) | ● | 0.6 | 1.1 | mA |
| I_S | Supply Current per Amplifier | (Note 6) | ● | 1.9 | 2.8 | μA |

ELECTRICAL CHARACTERISTICS

The ● denotes the specifications which apply over the temperature range of $-40^{\circ}\text{C} \leq T_A \leq 85^{\circ}\text{C}$. $V_S = 5\text{V}$, 0V ; $V_S = 3\text{V}$, 0V ; $V_{\text{CM}} = V_0 = \text{half supply}$, unless otherwise noted. (Note 3)

| SYMBOL | PARAMETER | CONDITIONS | MIN | TYP | MAX | UNITS |
|--------------------|------------------------------|---|-----|--------------|--------------|--------------------------------|
| V_{OS} | Input Offset Voltage | $V_S = 5\text{V}$ | ● | 200 | 475 | μV |
| | | $V_S = 3\text{V}$ | ● | 250 | 575 | μV |
| | | $V_S = 5\text{V}$, MS8 Package | ● | 200 | 575 | μV |
| | | $V_S = 3\text{V}$, MS8 Package | ● | 250 | 675 | μV |
| $V_{\text{OS TC}}$ | Input Offset Voltage Drift | (Note 4) | ● | 0.4 | 2 | $\mu\text{V}/^{\circ}\text{C}$ |
| I_B | Input Bias Current | (Note 5) | ● | 250 | 1700 | pA |
| | | $V_{\text{CM}} = 10\text{V}$ (Note 6) | ● | 275 | 750 | nA |
| I_{OS} | Input Offset Current | (Note 5) | ● | 20 | 170 | pA |
| A_{VOL} | Large-Signal Voltage Gain | $V_S = 5\text{V}$, $V_0 = 0.25\text{V}$ to 4.5V , $R_L = 100\text{k}$ | ● | 55 | 215 | V/mV |
| | | $V_S = 3\text{V}$, $V_0 = 0.25\text{V}$ to 2.5V , $R_L = 100\text{k}$ | ● | 30 | 115 | V/mV |
| | Input Voltage Range | | ● | | 36 | V |
| CMRR | Common Mode Rejection Ratio | $V_{\text{CM}} = 0.2\text{V}$ to 4V , $V_S = 5\text{V}$ | ● | 88 | 106 | dB |
| | | $V_{\text{CM}} = 0.2\text{V}$ to 10V , $V_S = 5\text{V}$ | ● | 62 | 75 | dB |
| PSRR | Power Supply Rejection Ratio | $V_S = 2.7\text{V}$ to 12V , $V_{\text{CM}} = V_0 = 0.5\text{V}$ | ● | 88 | 99 | dB |
| | | Minimum Operating Supply Voltage | ● | | 2.6 | 2.7 |
| V_{OL} | Output Voltage Swing LOW | No Load | ● | 60 | 120 | mV |
| | | $I_{\text{SINK}} = 100\mu\text{A}$ | ● | 245 | 490 | mV |
| V_{OH} | Output Voltage Swing HIGH | No Load | ● | $V^+ - 0.10$ | $V^+ - 0.05$ | mV |
| | | $I_{\text{SOURCE}} = 100\mu\text{A}$ | ● | $V^+ - 0.38$ | $V^+ - 0.19$ | mV |
| I_{SC} | Short-Circuit Current | (Note 5) | ● | 0.4 | 0.9 | mA |
| I_S | Supply Current per Amplifier | (Note 6) | ● | 2.1 | 3.1 | μA |

$T_A = 25^{\circ}\text{C}$, $V_S = \pm 15\text{V}$, $V_{\text{CM}} = V_0 = 0\text{V}$, unless otherwise noted.

| SYMBOL | PARAMETER | CONDITIONS | MIN | TYP | MAX | UNITS |
|------------------|------------------------------|---|-------|--------|--------|----------------------|
| V_{OS} | Input Offset Voltage | | | 200 | 575 | μV |
| | | MS8 Package | | 200 | 675 | μV |
| I_B | Input Bias Current | | | 25 | 1000 | pA |
| I_{OS} | Input Offset Current | | | 20 | 100 | pA |
| A_{VOL} | Large-Signal Voltage Gain | $V_0 = \pm 10\text{V}$, $R_L = 100\text{k}$ | 100 | 360 | | V/mV |
| | | Input Voltage Range | -15 | | 21 | V |
| CMRR | Common Mode Rejection Ratio | $V_{\text{CM}} = -15\text{V}$ to 14V | 100 | 120 | | dB |
| PSRR | Power Supply Rejection Ratio | $V_S = \pm 5\text{V}$ to $\pm 15\text{V}$ | 96 | 120 | | dB |
| V_{OL} | Output Voltage Swing LOW | $R_L = 1\text{M}$ | | -14.85 | -14.70 | V |
| | | $R_L = 100\text{k}$ | | -14.75 | -14.50 | V |
| V_{OH} | Output Voltage Swing HIGH | $R_L = 1\text{M}$ | 14.78 | 14.89 | | V |
| | | $R_L = 100\text{k}$ | 14.62 | 14.81 | | V |
| I_{SC} | Short-Circuit Current | | 0.7 | 1.5 | | mA |
| I_S | Supply Current per Amplifier | | | 1.9 | 2.8 | μA |

ELECTRICAL CHARACTERISTICS

The ● denotes the specifications which apply over the temperature range of $0^{\circ}\text{C} \leq T_A \leq 70^{\circ}\text{C}$, $V_S = \pm 15\text{V}$, $V_{CM} = V_O = 0\text{V}$, unless otherwise noted. (Note 3)

| SYMBOL | PARAMETER | CONDITIONS | | MIN | TYP | MAX | UNITS |
|-----------|------------------------------|--|---|-------|--------|--------|---------------|
| V_{OS} | Input Offset Voltage | | ● | | 225 | 625 | μV |
| | | MS8 Package | ● | | 225 | 725 | μV |
| I_B | Input Bias Current | | ● | | 250 | 1200 | pA |
| I_{OS} | Input Offset Current | | ● | | 20 | 120 | pA |
| A_{VOL} | Large-Signal Voltage Gain | $V_O = \pm 10\text{V}$, $R_L = 100\text{k}$ | ● | 60 | 240 | | V/mV |
| | | Input Voltage Range | ● | -14.8 | | 21 | V |
| CMRR | Common Mode Rejection Ratio | $V_{CM} = -14.8\text{V}$ to 14V | ● | 98 | 120 | | dB |
| PSRR | Power Supply Rejection Ratio | $V_S = \pm 5\text{V}$ to $\pm 15\text{V}$ | ● | 94 | 120 | | dB |
| V_{OL} | Output Voltage Swing LOW | $R_L = 1\text{M}$ | ● | | -14.84 | -14.67 | V |
| | | $R_L = 100\text{k}$ | ● | | -14.73 | -14.46 | V |
| V_{OH} | Output Voltage Swing HIGH | $R_L = 1\text{M}$ | ● | 14.76 | 14.88 | | V |
| | | $R_L = 100\text{k}$ | ● | 14.58 | 14.79 | | mV |
| I_{SC} | Short-Circuit Current | | ● | 0.6 | 1.3 | | mA |
| I_S | Supply Current per Amplifier | | ● | | 2.4 | 3.5 | μA |

The ● denotes the specifications which apply over the temperature range of $-40^{\circ}\text{C} \leq T_A \leq 85^{\circ}\text{C}$, $V_S = \pm 15\text{V}$, $V_{CM} = V_O = 0\text{V}$, unless otherwise noted. (Note 3)

| SYMBOL | PARAMETER | CONDITIONS | | MIN | TYP | MAX | UNITS |
|-----------|------------------------------|--|---|-------|--------|--------|---------------|
| V_{OS} | Input Offset Voltage | | ● | | 250 | 675 | μV |
| | | MS8 Package | ● | | 250 | 775 | μV |
| I_B | Input Bias Current | | ● | | 250 | 1700 | pA |
| I_{OS} | Input Offset Current | | ● | | 20 | 170 | pA |
| A_{VOL} | Large-Signal Voltage Gain | $V_O = \pm 10\text{V}$, $R_L = 100\text{k}$ | ● | 50 | 200 | | V/mV |
| | | Input Voltage Range | ● | -14.8 | | 21 | V |
| CMRR | Common Mode Rejection Ratio | $V_{CM} = -14.8\text{V}$ to 14V | ● | 96 | 114 | | dB |
| PSRR | Power Supply Rejection Ratio | $V_S = \pm 5\text{V}$ to $\pm 15\text{V}$ | ● | 92 | 120 | | dB |
| V_{OL} | Output Voltage Swing LOW | $R_L = 1\text{M}$ | ● | | -14.83 | -14.66 | V |
| | | $R_L = 100\text{k}$ | ● | | -14.72 | -14.44 | V |
| V_{OH} | Output Voltage Swing HIGH | $R_L = 1\text{M}$ | ● | 14.74 | 14.87 | | V |
| | | $R_L = 100\text{k}$ | ● | 14.54 | 14.77 | | V |
| I_{SC} | Short-Circuit Current | | ● | 0.4 | 1.1 | | mA |
| I_S | Supply Current per Amplifier | | ● | | 2.8 | 4.2 | μA |

Note 1: Absolute Maximum Ratings are those values beyond which the life of the device may be impaired.

Note 2: The LT1672C/LT1673C/LT1674C and LT1672I/LT1673I/LT1674I are guaranteed functional over the Operating Temperature Range of -40°C to 85°C .

Note 3: The LT1672C/LT1673C/LT1674C are guaranteed to meet specified performance from 0°C to 70°C . The LT1672C/LT1673C/LT1674C are designed, characterized and expected to meet specified performance from

-40°C to 85°C but are not tested or QA sampled at these temperatures. The LT1672I/LT1673I/LT1674I are guaranteed to meet specified performance from -40°C to 85°C .

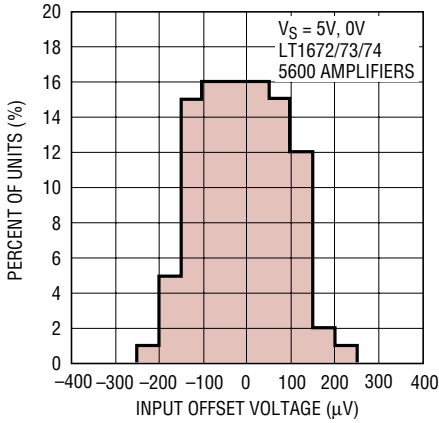
Note 4: This parameter is not 100% tested.

Note 5: $V_S = 5\text{V}$ limit guaranteed by correlation to $V_S = 3\text{V}$ and $V_S = \pm 15\text{V}$ tests.

Note 6: $V_S = 3\text{V}$ limit guaranteed by correlation to $V_S = 5\text{V}$ and $V_S = \pm 15\text{V}$ tests.

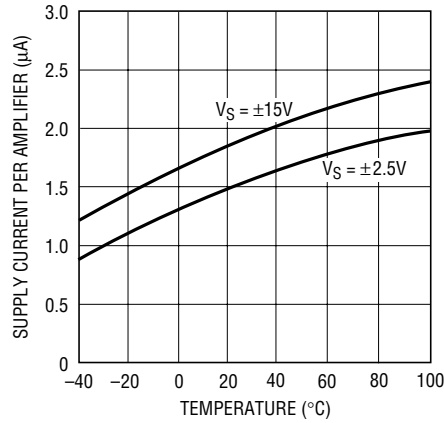
TYPICAL PERFORMANCE CHARACTERISTICS

Distribution of Input Offset Voltage



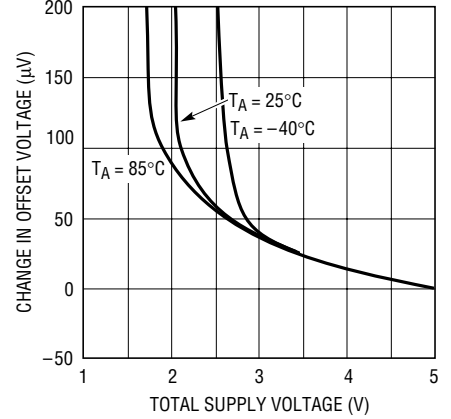
1672/73/74 G01

Supply Current vs Temperature



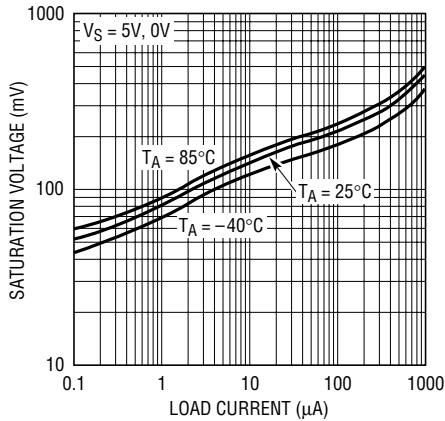
1672/3/4 G02

Minimum Supply Voltage



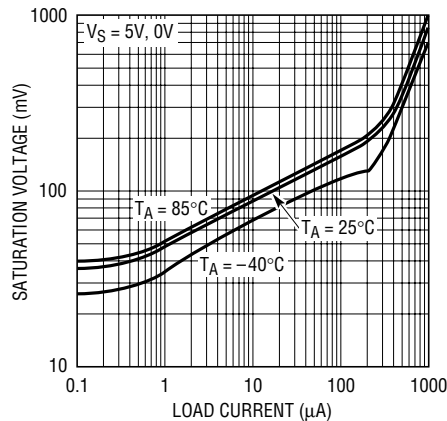
1672/3/4 G03

Output Saturation Voltage vs Load Current (Output Low)



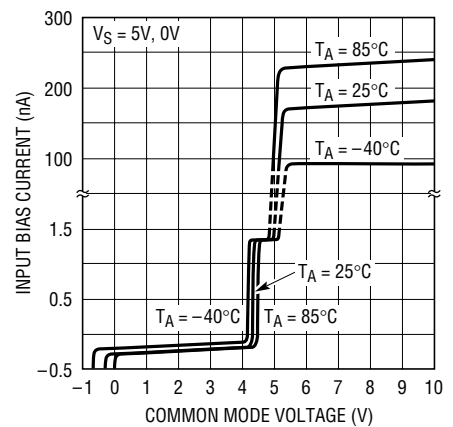
1672/3/4 G04

Output Saturation Voltage vs Load Current (Output High)



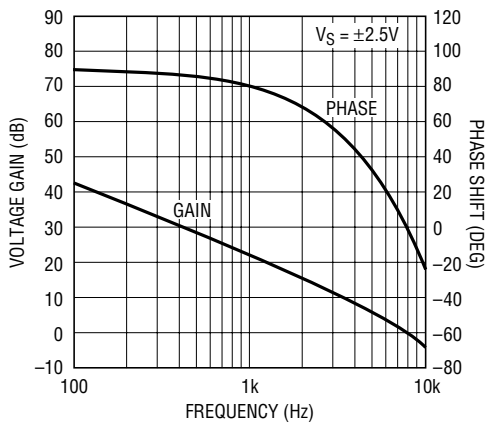
1672/3/4 G05

Input Bias Current vs Common Mode Voltage



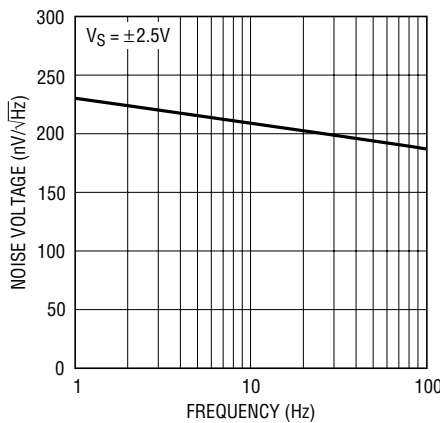
1672/3/4 G06

Gain and Phase Shift vs Frequency



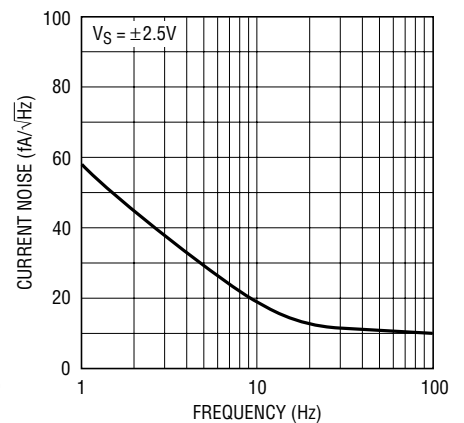
1672/3/4 G07

Noise Voltage Spectrum



1672/3/4 G08

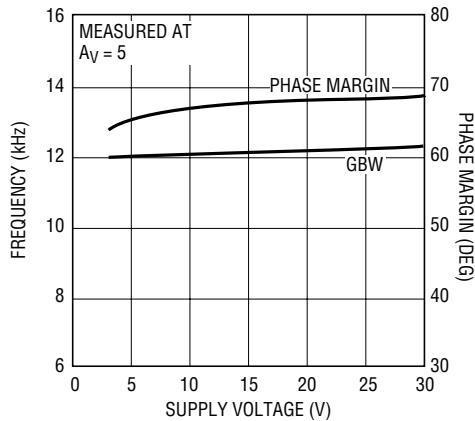
Noise Current Spectrum



1672/3/4 G09

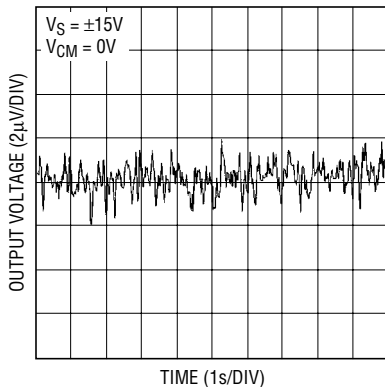
TYPICAL PERFORMANCE CHARACTERISTICS

Gain Bandwidth and Phase Margin vs Supply Voltage



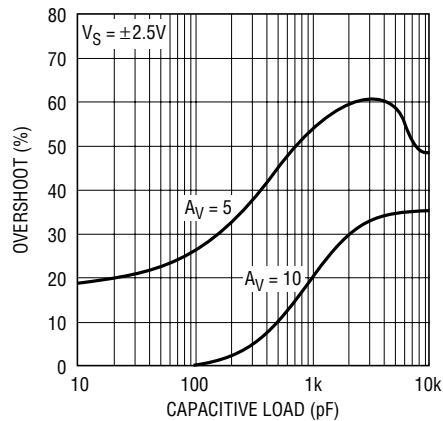
1672/3/4 G10

0.1Hz to 10Hz Output Voltage Noise



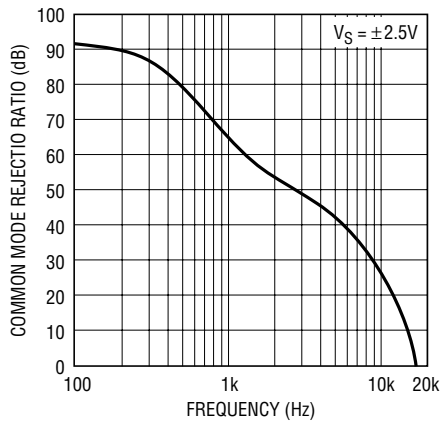
1672/3/4 G07

Capacitive Load Handling



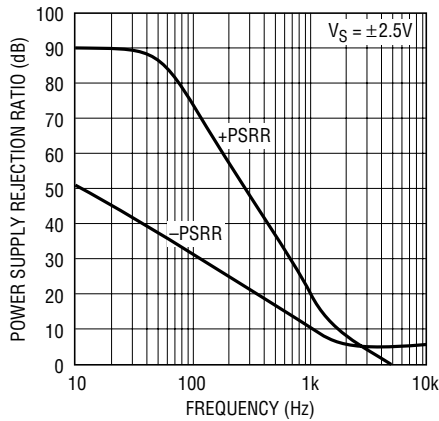
1672/3/4 G12

Common Mode Rejection Ratio vs Frequency



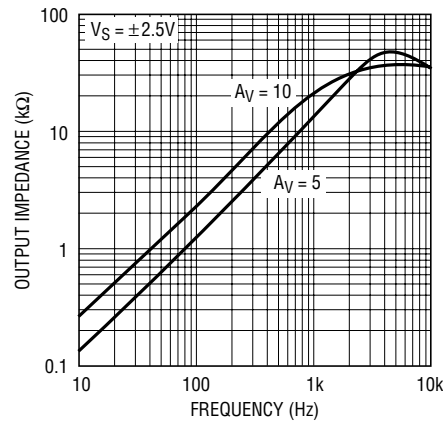
1672/3/4 G13

Power Supply Rejection Ratio vs Frequency



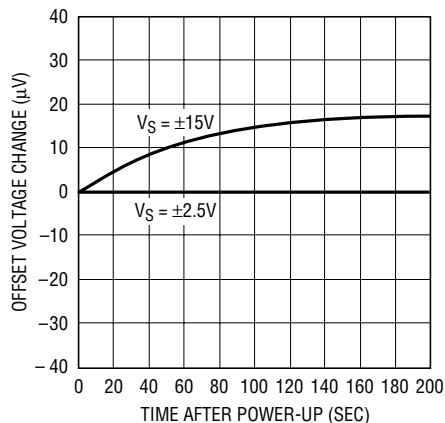
1672/3/4 G14

Output Impedance vs Frequency



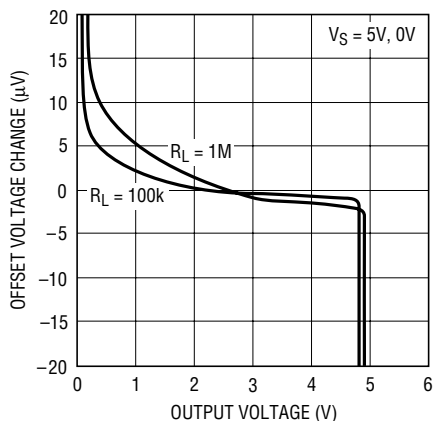
1672/3/4 G15

Warm-Up Drift vs Time



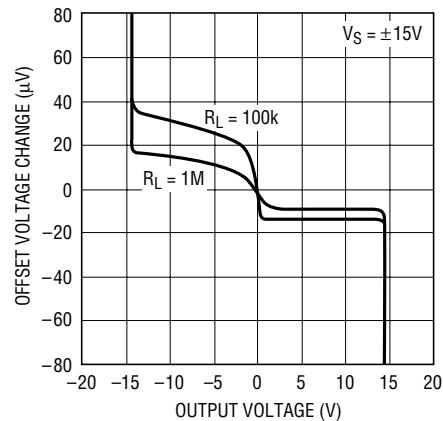
1672/3/4 G16

Open-Loop Gain VS = 5V, 0V



1672/3/4 G17

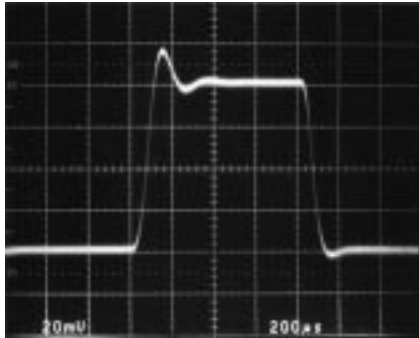
Open-Loop Gain VS = ±15V



1672/3/4 G18

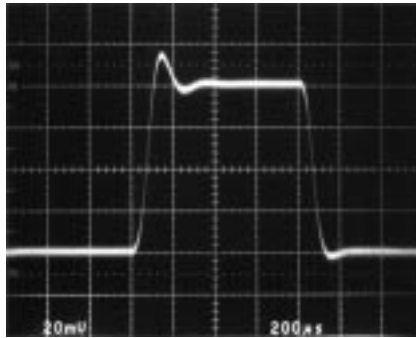
TYPICAL PERFORMANCE CHARACTERISTICS

Small-Signal Response



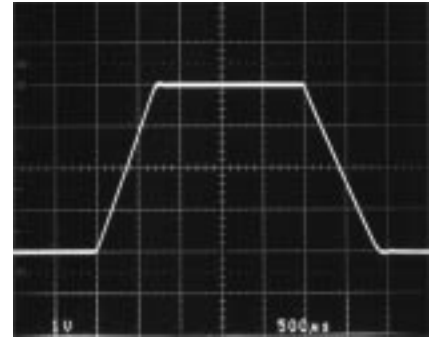
$V_S = \pm 15V$
 $C_L = 100pF$
 $A_V = 5$
 1672/3/4 G19

Small-Signal Response



$V_S = 5V$
 $C_L = 100pF$
 $A_V = 5$
 1672/3/4 G20

Large-Signal Response

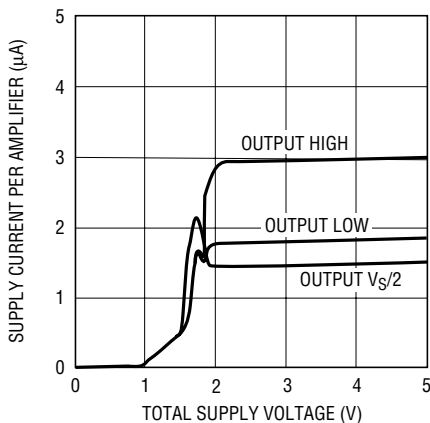


$V_S = 5V$
 $C_L = 100pF$
 $A_V = 5$
 1672/3/4 G21

APPLICATIONS INFORMATION

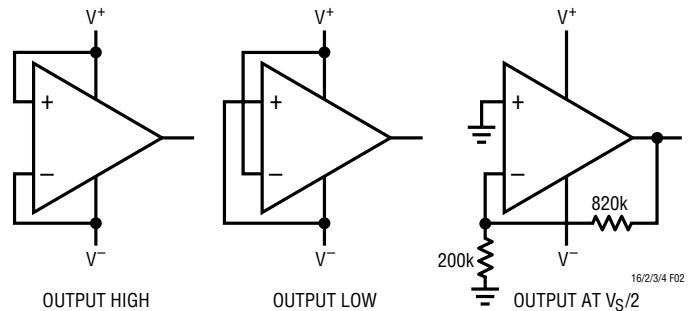
Start-Up Characteristics

Micropower op amps are sometimes not micropower during start-up, wreaking havoc on low current supplies. In the worst case, there may not be enough supply current available to take the system up to nominal voltages. Figure 1 is a graph of LT1673 supply current vs supply voltage for the three limit cases of input offset that could occur during start-up. The circuits are shown in Figure 2. One circuit creates a positive offset, forcing the output to come up saturated high. Another circuit creates a negative offset, forcing the output to come up saturated low, while the last brings up the output at half supply. In all cases, the supply current is well behaved. Supply current is highest with the output forced high, so if one amplifier is unused, it is best to force the output low or at half supply.



1672/3/4 F01

Figure 1. Start-Up Characteristics



1672/3/4 F02

Figure 2. Circuits for Start-Up Characteristics

Reverse Battery

The LT1672/LT1673/LT1674 are protected against reverse battery voltages up to 18V. In the event a reverse battery condition occurs, the supply current is typically less than 100nA (inputs grounded and outputs open). For typical single supply applications with ground referred loads and feedback networks, no other precautions are required. If the reverse battery condition results in a negative voltage at either the input pins or output pin, the current into the pin should be limited by an external resistor to less than 10mA.

Inputs

While the LT1672/LT1673/LT1674 will function normally with its inputs taken above the positive supply, the common mode range does not extend beyond approximately 300mV below the negative supply at room temperature.

APPLICATIONS INFORMATION

The device will not be damaged if the inputs are taken lower than 300mV below the negative supply as long as the current out of the pin is limited to less than 10mA. However, the output phase is not guaranteed and the supply current will increase.

Output

The graph, Capacitive Load Handling, shows amplifier stability with the output biased at half supply. If the output is to be operated within about 100mV of the positive rail, the allowable load capacitance is less. With this output voltage, the worst case occurs at $A_V = 5$ and light loads, where the load capacitance should be less than 500pF with a 5V supply and less than 100pF with a 30V supply.

Rail-to-Rail Operation

The simplified schematic, Figure 3, details the circuit design approach of the LT1672/LT1673/LT1674. The amplifier topology is a three-stage design consisting of a rail-to-rail input stage, that continues to operate with the inputs above the positive rail, a folded cascode second stage that develops most of the voltage gain, and a rail-to-rail common emitter stage that provides the current gain.

The input stage is formed by two diff amps Q1-Q2 and Q3-Q6. For signals with a common mode voltage between V_{EE}

and $(V_{CC} - 0.8V)$, Q1 and Q2 are active. When the input common mode exceeds $(V_{CC} - 0.8V)$, Q7 turns on, diverting the current from diff amp Q1-Q2 to current mirror Q8-Q9. The current from Q8 biases on the other diff amp consisting of PNP's Q5-Q6 and NPN's Q3-Q4. Though Q5-Q6 are driven from the emitters rather than the base, the basic diff amp action is the same. When the common mode voltage is between $(V_{CC} - 0.8V)$ and V_{CC} , devices Q3 and Q4 act as followers, forming a buffer between the amplifier inputs and the emitters of the Q5-Q6. If the common mode voltage is taken above V_{CC} , Schottky diodes D1 and D2 reverse bias and devices Q3 and Q4 then act as diodes. The diff amp formed by Q5-Q6 operates normally, however, the input bias current increases to the emitter current of Q5-Q6, which is typically 180nA. The graph, Input Bias Current vs Common Mode Voltage found in the Typical Performance Characteristics section, shows these transitions at three temperatures.

The collector currents of the two-input pairs are combined in the second stage consisting of Q11 to Q16, which furnishes most of the voltage gain. Capacitor C1 sets the amplifier bandwidth. The output stage is configured for maximum swing by the use of common emitter output devices Q21 and Q22. Diodes D4 to D6 and current source Q15 set the output quiescent current.

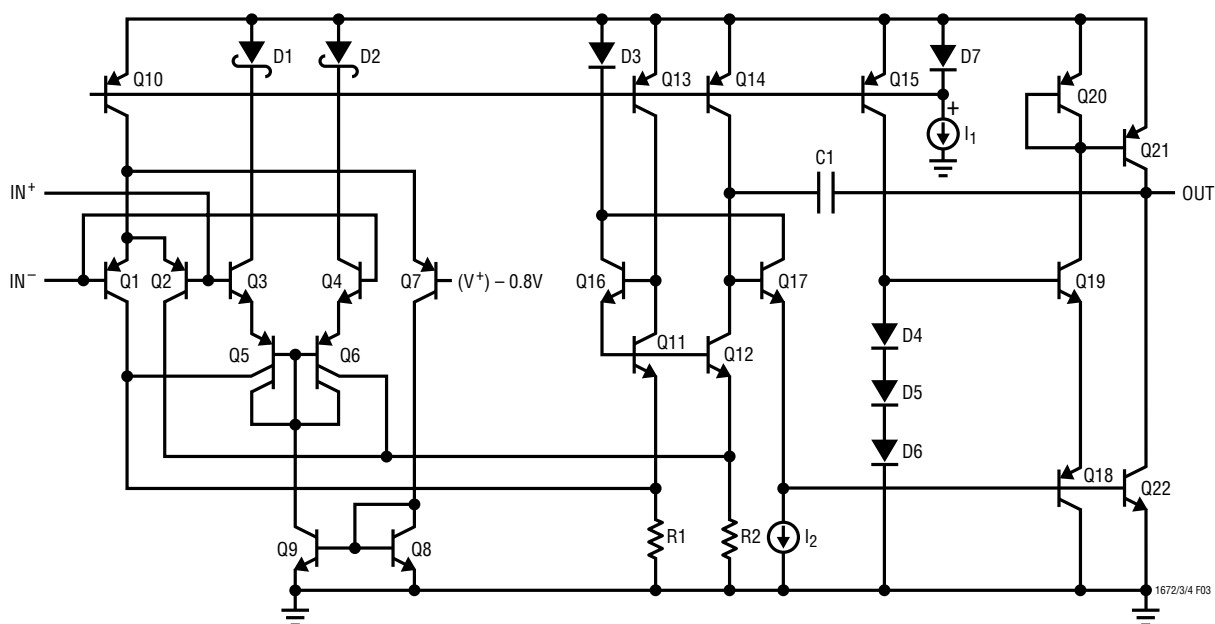
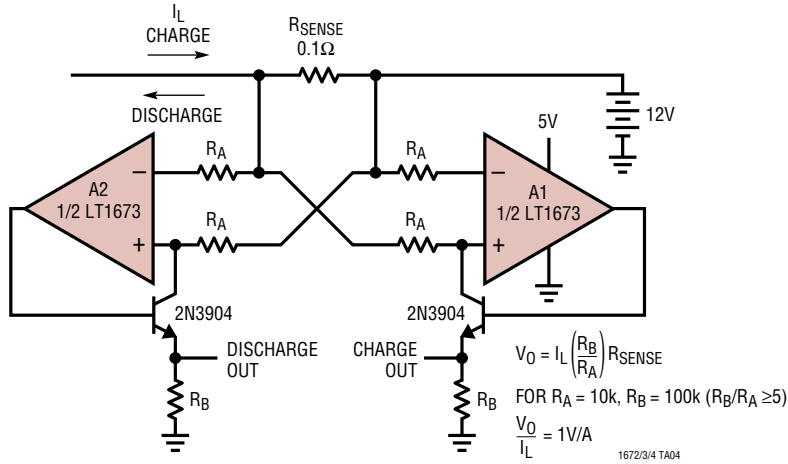


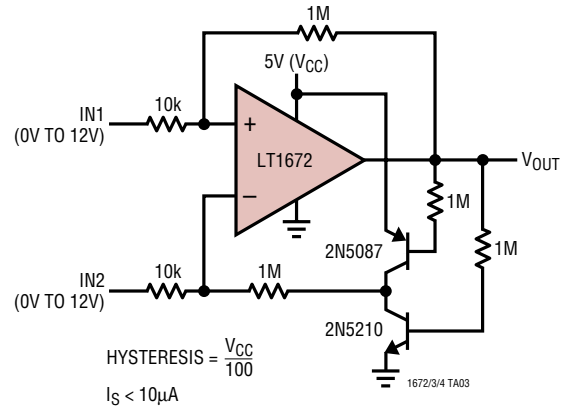
Figure 3. Simplified Schematic

TYPICAL APPLICATIONS

Battery Current Monitor



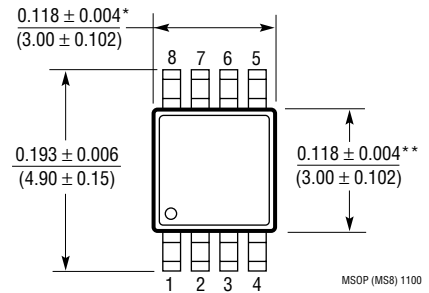
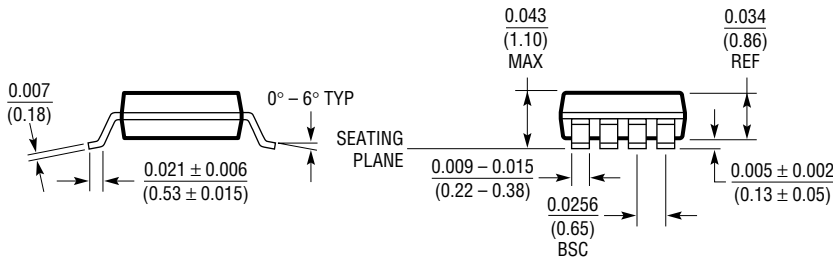
Over-the-Top Comparator with Hysteresis



PACKAGE DESCRIPTION

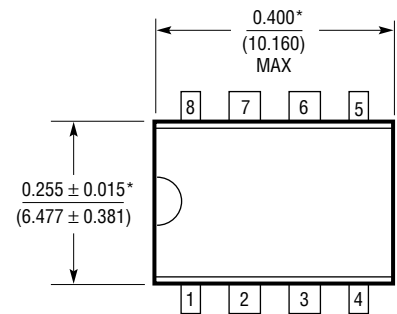
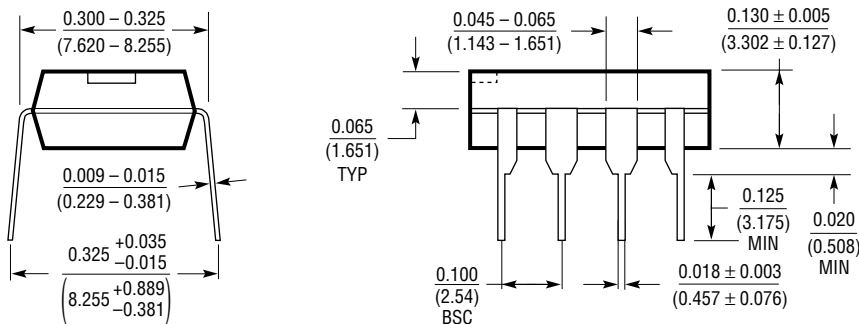
Dimensions in inches (millimeters) unless otherwise noted.

MS8 Package
8-Lead Plastic MSOP
(LTC DWG # 05-08-1660)



* DIMENSION DOES NOT INCLUDE MOLD FLASH, PROTRUSIONS OR GATE BURRS. MOLD FLASH, PROTRUSIONS OR GATE BURRS SHALL NOT EXCEED 0.006" (0.152mm) PER SIDE
 ** DIMENSION DOES NOT INCLUDE INTERLEAD FLASH OR PROTRUSIONS. INTERLEAD FLASH OR PROTRUSIONS SHALL NOT EXCEED 0.006" (0.152mm) PER SIDE

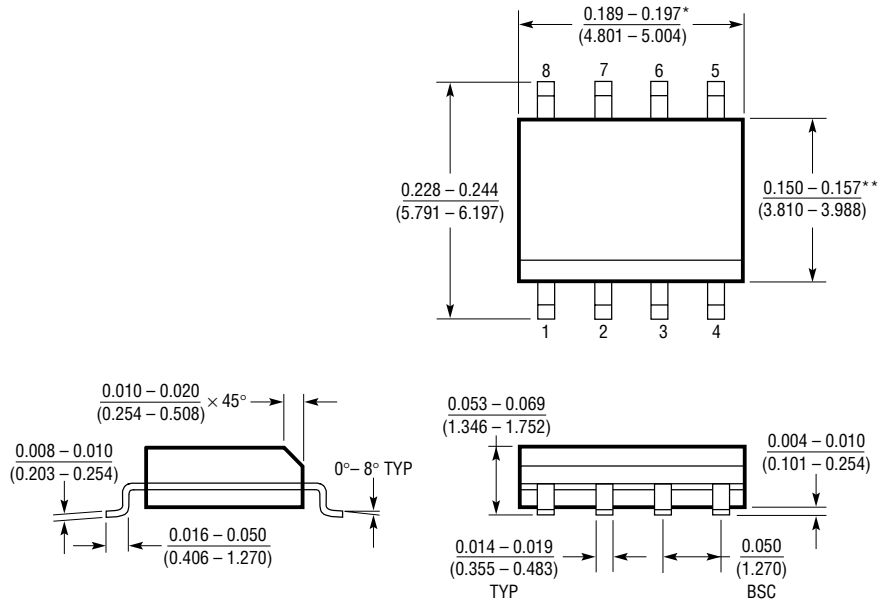
N8 Package
8-Lead PDIP (Narrow 0.300)
(LTC DWG # 05-08-1510)



*THESE DIMENSIONS DO NOT INCLUDE MOLD FLASH OR PROTRUSIONS. MOLD FLASH OR PROTRUSIONS SHALL NOT EXCEED 0.010 INCH (0.254mm)

PACKAGE DESCRIPTION Dimensions in inches (millimeters) unless otherwise noted.

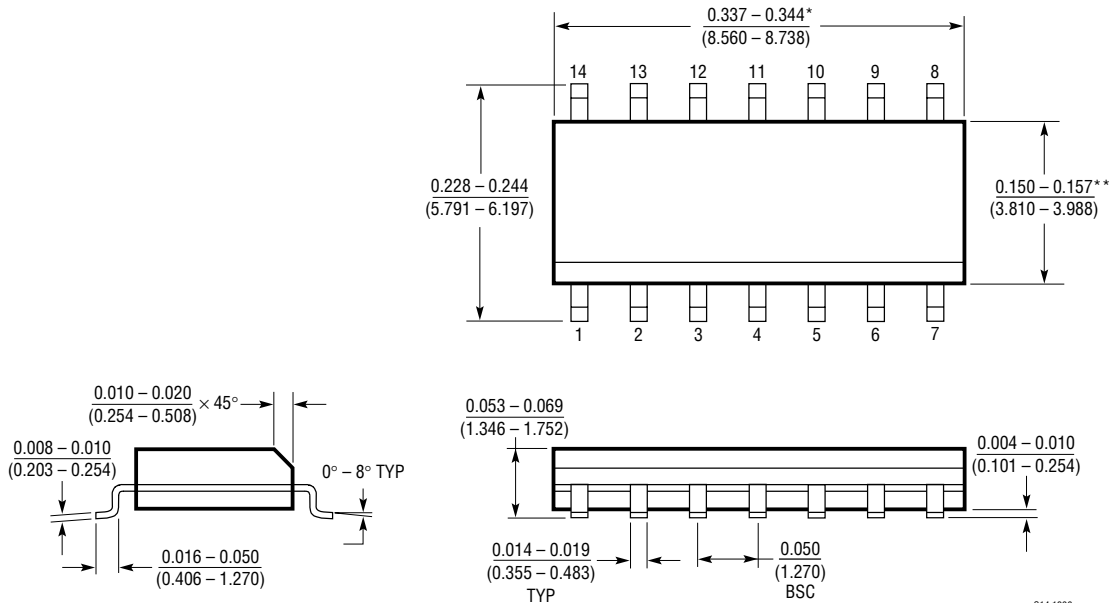
S8 Package
8-Lead Plastic Small Outline (Narrow 0.150)
 (LTC DWG # 05-08-1610)



*DIMENSION DOES NOT INCLUDE MOLD FLASH. MOLD FLASH SHALL NOT EXCEED 0.006" (0.152mm) PER SIDE
 **DIMENSION DOES NOT INCLUDE INTERLEAD FLASH. INTERLEAD FLASH SHALL NOT EXCEED 0.010" (0.254mm) PER SIDE

S08 1298

S Package
14-Lead Plastic Small Outline (Narrow 0.150)
 (LTC DWG # 05-08-1610)

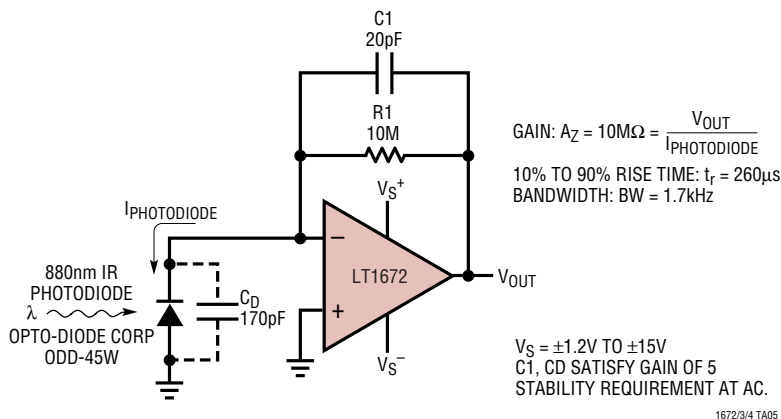


*DIMENSION DOES NOT INCLUDE MOLD FLASH. MOLD FLASH SHALL NOT EXCEED 0.006" (0.152mm) PER SIDE
 **DIMENSION DOES NOT INCLUDE INTERLEAD FLASH. INTERLEAD FLASH SHALL NOT EXCEED 0.010" (0.254mm) PER SIDE

S14 1298

TYPICAL APPLICATION

Micropower Photodiode Amplifier



RELATED PARTS

| PART NUMBER | DESCRIPTION | COMMENTS |
|-------------------------|---|---|
| LTC®1440/41/42 | Micropower Single/Dual Comparators with 1% Reference | LTC1440: Single, LTC1441/42: Dual |
| LTC1443/LTC1444/LTC1445 | Micropower Quad Comparators with 1% Reference | LTC1443: 1.182 Reference LTC1444/45: 1.221V Reference and Adjustable Hysteresis |
| LT1466/LT1467 | 75µA Dual/Quad Rail-to-Rail Input and Output Op Amps | 390µV $V_{OS(MAX)}$, Gain Bandwidth = 120kHz |
| LT1490A/LT1491A | 50µA Dual/Quad Rail-to-Rail Input and Output Op Amps | 950µV $V_{OS(MAX)}$, Gain Bandwidth = 200kHz |
| LT1494/LT1495/LT1496 | 1.5µA Max Single/Dual/Quad Over-the-Top Precision Rail-to-Rail Input and Output Op Amps | Unity Gain Stable Version of the LT1672/LT1673/LT1674 |
| LTC1540 | Nanopower Single Comparator with 1% Reference | 350nA Supply Current |
| LT1636 | Single Over-the-Top Micropower, Rail-to-Rail Input and Output Op Amp | 225µV $V_{OS(MAX)}$, $I_S = 55\mu A$ (Max), Gain Bandwidth = 200kHz, Shutdown Pin, MSOP |
| LT2078/LT2079 | 55µA Dual/Quad Single Supply Op Amps | 120µV $V_{OS(MAX)}$, Gain Bandwidth = 200kHz |
| LT2178/LT2179 | 17µA Dual/Quad Single Supply Op Amps | 120µV $V_{OS(MAX)}$, Gain Bandwidth = 60kHz |
| LT1782 | Micropower, Over-The-Top, SOT-23, Rail-to-Rail Input and Output Op Amp | SOT-23, 800µV $V_{OS(MAX)}$, $I_S = 55\mu A$ (Max), Gain-Bandwidth = 200kHz, Shutdown Pin |
| LT1783 | 1.2MHz, Over-The-Top, Micropower, Rail-to-Rail Input and Output Op Amp in SOT-23 | SOT-23, 800µV $V_{OS(MAX)}$, $I_S = 300\mu A$ (Max), Gain-Bandwidth = 1.2MHz, Shutdown Pin |