

FEATURES

- Gold plated signal and ground posts
- .025 high standoff pads for P.C.B. cleaning
- Standard "D" hole mounting configuration
- Thd. body to accept optional panel mount hardware
- Isolated ground insulated from panel
- Inner dielectric — Polypropylene
- Signal & ground posts are environmentally protected by plastic insulator
- Posts on vertical models will accept AMPMODU* type receptacles for jumper connections
- Available with and without mounting lugs for attachment to P.C.B.
- Holes to accept 2-56 self-tapping mounting screws on models without mounting lugs.
- Narrow profile for high density packaging — .600 ϕ min. spacing (Models without lugs) .700 ϕ min. spacing (with jam nut).
- Accommodates up to 3/16" panel thickness
- Can be mounted inboard or at edge of P.C.B.

MECHANICAL

MATING/UNMATING 500 CYCLES

MATERIALS

BODY BRIGHT NICKEL PLATING OVER ZINC
CONTACT GOLD OR SILVER PLATING OVER PHOS. BRONZE
INSULATORS INNER (POLYPROPYLENE) OUTER (THERMOPLASTIC POLYESTER)

ELECTRICAL

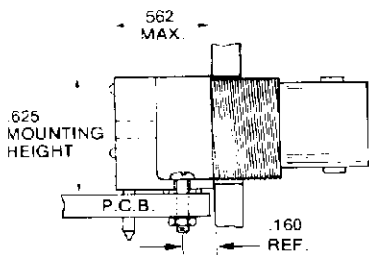
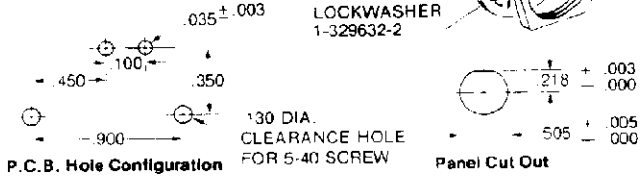
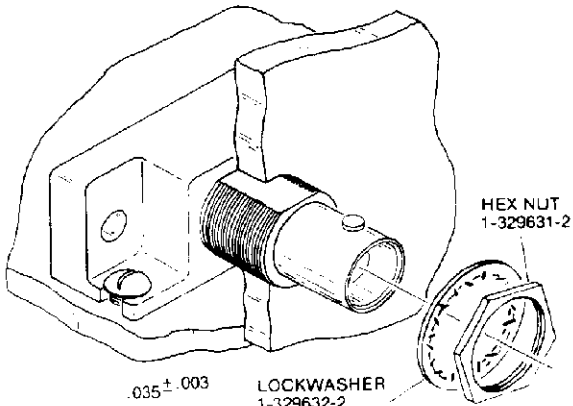
NOMINAL IMPEDANCE 50 OHMS
FREQUENCY RANGE 0-4 GHZ
OPERATING VOLTAGE 500 VOLTS RMS.
CONTACT RESISTANCE 3.0 MILLIOHMS MAX.
INSULATION RESISTANCE 5000 MEGOHMS MIN.
DIELECTRIC WITHSTANDING VOLTAGE 1500 VOLTS RMS

ENVIRONMENTAL

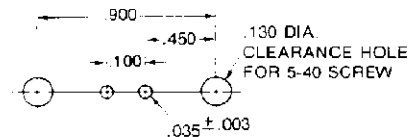
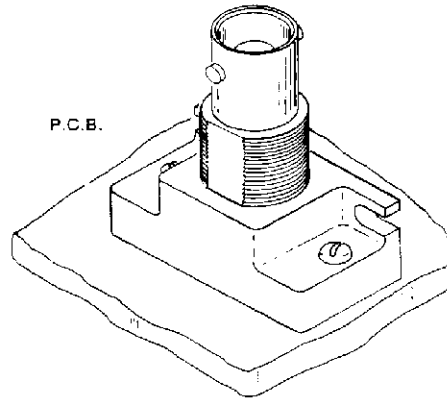
TEMPERATURE RANGE -55°C to +85°C
THERMAL SHOCK METHOD 107, MIL-STD-202, COND. A
MOISTURE RESISTANCE METHOD 108, MIL-STD-202
SALT SPRAY METHOD 101, MIL-STD-202, COND. B
PHYSICAL SHOCK METHOD 213, MIL-STD-202, COND. I

Copyright 1978
 BY AMP Incorporated.
 Harrisburg, Pa. All International Rights Reserved. AMP Incorporated
 products covered by U.S. and Foreign Patents and/or Patents Pending.

RIGHT ANGLE PCB/PANEL MOUNT BNC JACK
226978-1

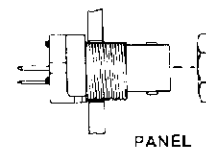
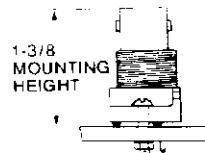


VERTICAL PCB BNC JACK
226987-1

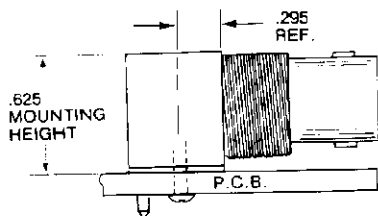
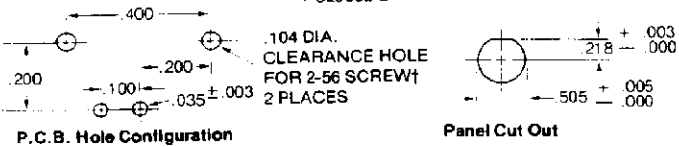
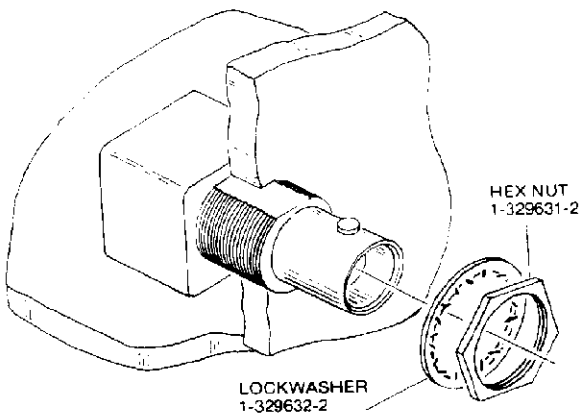


P.C.B. INSTALLATION

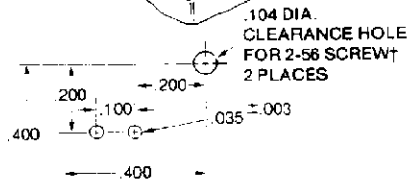
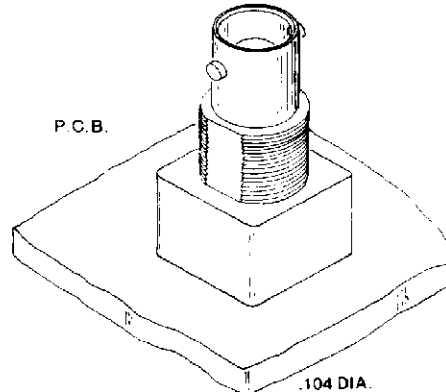
PANEL/JUMPER INSTALLATION



RIGHT ANGLE PCB/PANEL MOUNT BNC JACK
226990-1

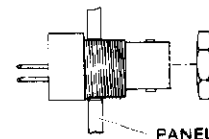
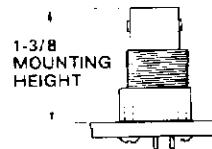


VERTICAL PCB BNC JACK
226993-1



P.C.B. INSTALLATION

PANEL/JUMPER INSTALLATION



T AMP PART NO. 22987-3 FOR 1/16" P.C. BOARD, 22987-4 FOR 1/8" P.C. BOARD.